

# CALUMMA™ URBAN S

Introducing our new Calumma featuring an asymmetrical side and forward beam angle, the perfect addition to our existing series of lighting solutions providing efficient and targeted illumination without any light spill. The asymmetrical side and forward beam angle allows for precise control of the light distribution, ensuring the desired area is well-lit while minimizing glare and light pollution. This feature makes it an ideal choice for various outdoor applications, such as pathways, parks, architectural accents, and landscape lighting. Upgrade your outdoor lighting experience with our cutting-edge Calumma Urban, and enjoy the perfect balance of functionality, efficiency, and style.



## KEY FEATURES

### Lumen output & Light source

Luminaire with 16 high-power, single-chip LEDs provides 1443 lumen output (@ RGBW, W - 6500K, Asymmetrical Forward). Multiple LED colour variants. No light spills. Well homogenised light output.

### Design & Durability

Compact, durable and stylish housing made of high-pressure die cast aluminium. IP67 and IK10 certification; suitable for marine applications (Harsh Environment Finish required) and traffic applications. Supported with a 5 year warranty.

### Flexibility

Exceptional outdoor or indoor LED luminaire with custom colour finishes, multiple light output variants.

### Connectivity

Calumma Urban S can be connected via an E-Box for almost effortless installation. DMX512+RDM and wide range of Ethernet protocols are available for E-Box control. DMX/RDM or DALI 2 interface protocols facilitate standard connection options.

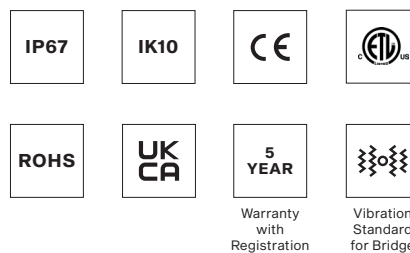
## COLOURS



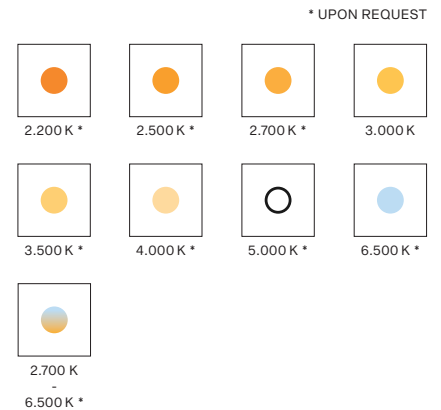
## CONTROL & PROTOCOLS



## STANDARD & SPECIFICATION

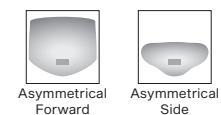


## COLOUR TEMPERATURE



## OPTIC OPTIONS

### ASYMMETRICAL



## FINISH OPTIONS



**SPECIFICATION**

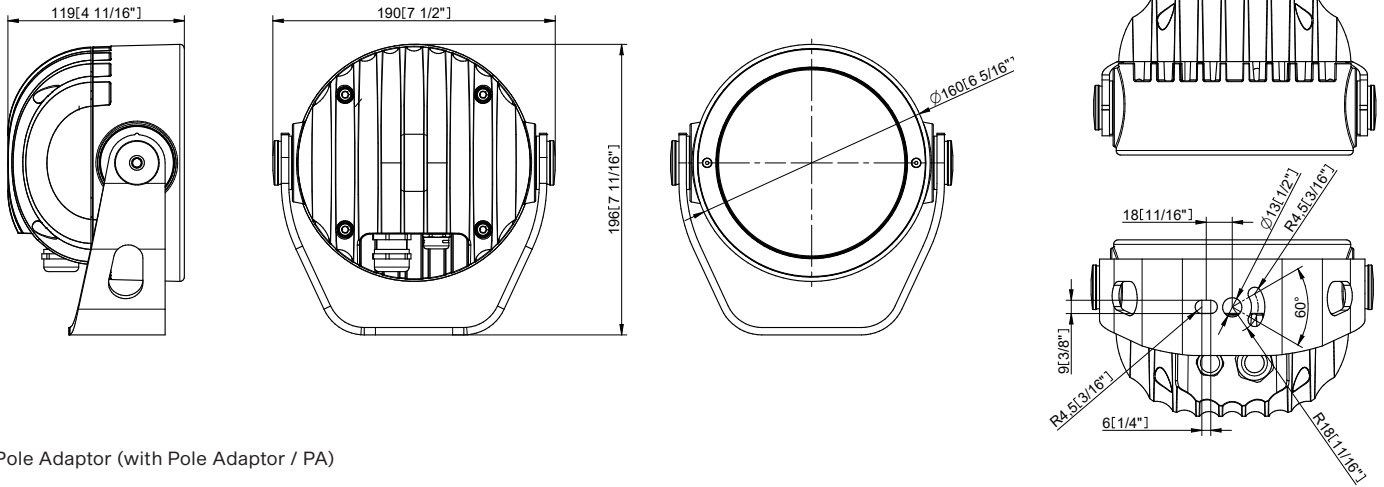
<b>ELECTRICAL</b>	Input Voltage	120 - 277 V AC 50/60 Hz	
	Typical Power Consumption	30 W +/-10 %	
<b>OPTICAL</b>	Light Source	High Power Single Chip LEDs	
	Colour Variants	RGBW (W - 6500 K)   RGBA   PW (W - 3000 K) Other Variants On Request (TW (2700 - 6500 K), 2200 K, 2500 K, 2700 K, 3500 K, 4000 K, 5000 K, 6500 K)	
	Beam Angle	Asymmetrical Side   Asymmetrical Forward	
	Lumen Output Delivered	1443 lm (@ RGBW, W - 6500K, Asymmetrical Forward)	
	Projected Lumen Maintenance	L90B10 >90.000 hrs, Ta = 25°C / 77°F	
	Interface Protocol	Via E-box range, DMX/RDM, DALI 2 or ON/OFF (PW & single color only)	
<b>CONTROL</b>	E-box control protocol	USITT DMX512+RDM, ArtNet, MA Net, MA Net2, sACN, Kling-Net	
	DALI 2 Device Type	DT 8	
	Control System	Third Party DMX Controllers or third party DALI 2 controllers, Ethernet	
	Operating Modes	DMX, Stand-alone	
	Settings / Addressing	E-Box, RDM communicator	
	Power Supply	Integrated	
	<b>PHYSICAL</b>	Width x Height x Depth	189 x 196 x 119 mm (7.4 x 7.7 x 4.7 in.)
Weight		3.9 kg   8.6 lbs	
Housing		High Pressure Die-Cast Aluminium Body Tempered Glass	
Finish Options		Standard Colour - Graphite Black (RAL 9011)   Silver (RAL 9006) Cost Option - Custom RAL   Harsh Environment / C5M (RAL 9016, RAL 9011)	
Cables / Connections		<b>IN (DMX, DALI):</b> 1m cable, bare end (custom length on request)   Junction Box (optional)	
Mounting Method		Yoke or Yoke for Pole Adaptor	
Adjustability		+180° / -180°	
Protection Factor		IP67 / Suitable For Wet Locations	
IK Rating		IK10	
Cooling System		Convection	
Operating Ambient Temperature		-20 °C / +50 °C (-4 °F / +122 °F)	
<b>CERTIFICATION</b>		Listings	ETL / cETL, CE, RoHS, UKCA
<b>ACCESSORIES</b>		<b>Not Included Items</b>	
		Junction Box for Calumma	
		Floor Stand for Calumma S, M	
		Tenon Adaptor for Calumma S	
		Pole Adaptor (ø 102mm) (Yoke for Pole Adaptor Required)	

**PROJECTED AREA**

	Front (rear) - m <sup>2</sup>	Front (rear) ft <sup>2</sup>	Side - m <sup>2</sup>	Side - ft <sup>2</sup>	Top - m <sup>2</sup>	Top - ft <sup>2</sup>
<b>Calumma S</b>	0,023	0,250	0,019	0,207	0,018	0,196

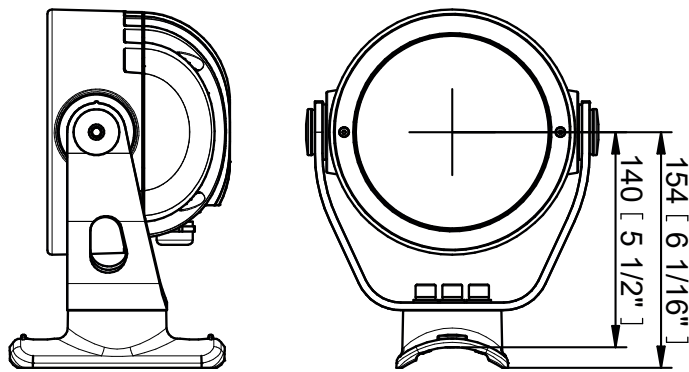
**DIMENSIONS**

Standard Yoke



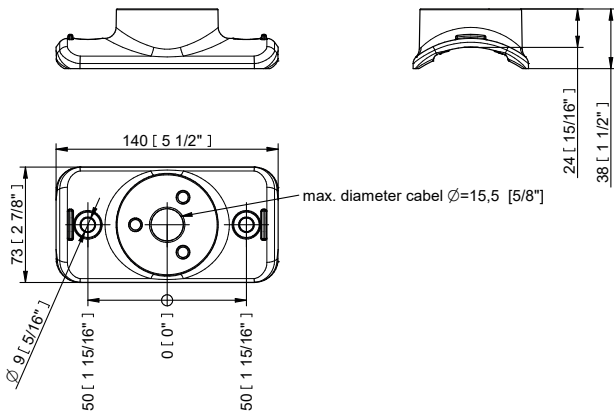
Yoke for Pole Adaptor (with Pole Adaptor / PA)

Example of ordering code: Calumma Urban S RGBCW Side PA

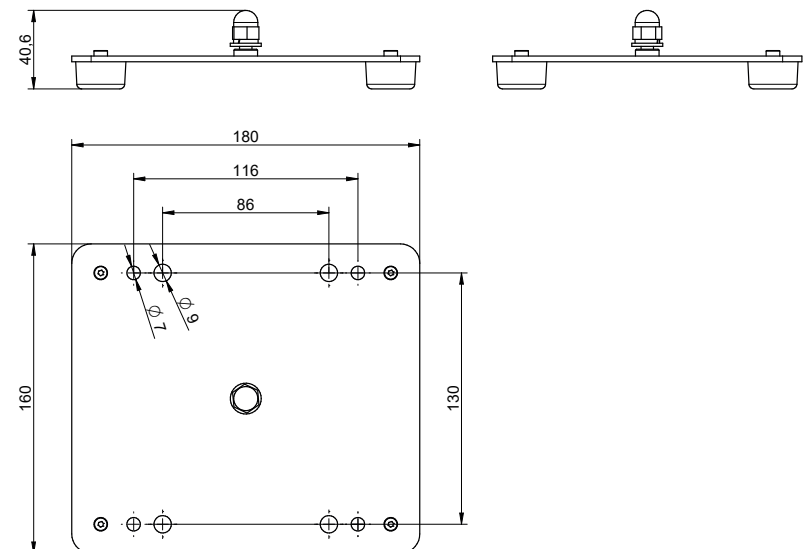


**ACCESSORIES**

Pole Adaptor (ø 102mm; with Pole Adaptor / PA)



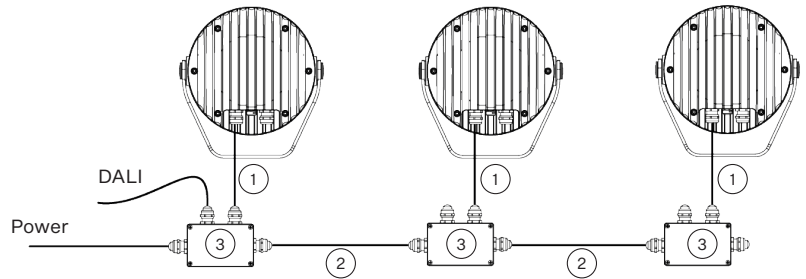
Floor Stand



**CONTROL AND CONNECTION OPTIONS - CE**

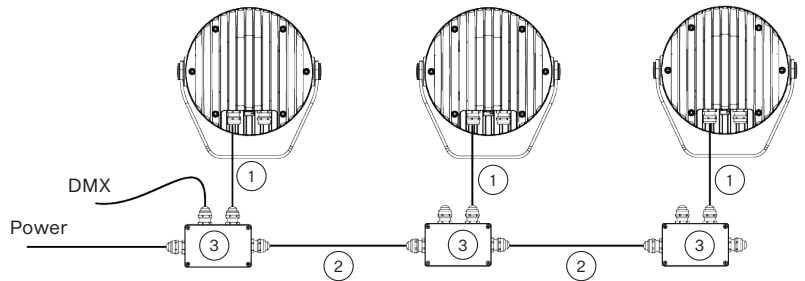
**DALI**

- 1) Hybrid Cable (1305 3693)  
Standard 1 m with bare-end
- 2) Hybrid Cable (1305 3693)  
or  
Scope of Others
- 3) Junction Box for Calumma



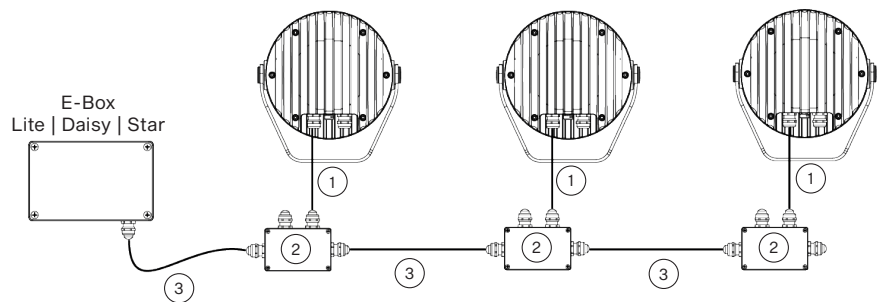
**DMX**

- 1) Flamar 3x AWG 16 + 1 x (2x AWG 24)  
Standard 1 m with bare-end, (13051508), black  
or  
Hybrid Cable HYB-5731ZH LSZH (13053694), white
- 2) Flamar 3x AWG 16 + 1 x (2x AWG 24), (13051508), black  
or  
Hybrid Cable HYB-5731ZH LSZH (13053694) white  
or  
Scope of Others
- 3) Junction Box for Calumma



**DMX or ETHERNET via E-BOX**

- 1) Flamar 3x AWG 16 + 1 x (2x AWG 24)  
(13051508), Standard 1 m with bare-end, black  
or  
Hybrid Cable HYB-5731ZH LSZH (13053694), white
- 2) Junction Box for Calumma
- 3) Flamar 3x AWG 16 + 1 x (2x AWG 24), (13051508), black  
or  
Hybrid Cable HYB-5731ZH LSZH (13053694) white  
or  
Scope of Others

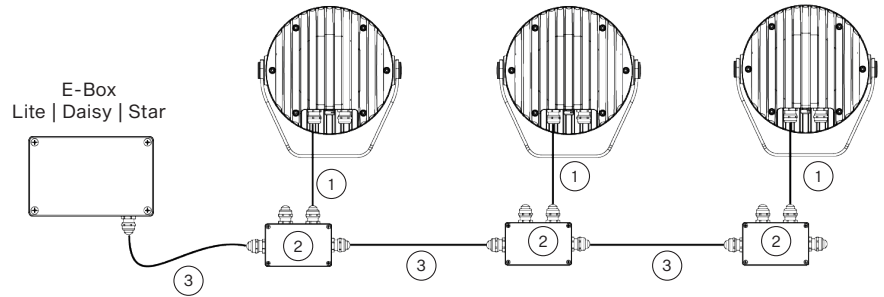


**Note: This type of connection is available for S, M, L, and XL versions. E-Box has to be in Pass Through mode only.**

**CONTROL AND CONNECTION OPTIONS - US**

**DMX or ETHERNET via E-BOX**

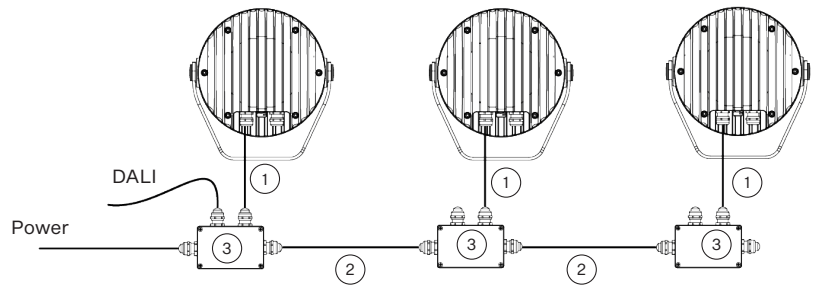
- 1) Flamar 3x AWG 16 + 1x (2x AWG 24) (13051508), Standard 1 m with bare-end, black or Hybrid Cable HYB-5731ZH LSZH (13053694), white
- 2) Junction Box for Calumma
- 3) Flamar 3x AWG 16 + 1x (2x AWG 24), (13051508), black or Hybrid Cable HYB-5731ZH LSZH (13053694) white or Scope of Others



**Note: This type of connection is available for S, M, L, and XL versions. E-Box has to be in Pass Through mode only.**

**DALI**

- 1) SJTW 5x 14AWG (13053336), Standard 1 m with bare-end, black or Cable SJTW 5x 14AWG (13053697), white
- 2) SJTW 5x 14AWG (13053336), black or Cable SJTW 5x 14AWG (13053697), white or Scope of Others
- 3) Junction Box for Calumma



**CONNECTIVITY**

Following table shows maximum connected Calummas Urban S in a row with respect of cable length.

	Cable length (m)	Voltage (V)			
		120	190	230	277
<b>CALUMMA URBAN S</b>	<b>10</b>	32	32	32	32
	<b>20</b>	32	32	32	32
	<b>30</b>	32	32	32	32
	<b>50</b>	26	32	32	32
	<b>70</b>	18	32	32	32
	<b>100</b>	13	32	32	32