

# CALUMMA™ XS MC

Using a single high-power, multi-chip LED inside a compact, elegant, and durable housing, the smallest Calumma is a great choice for many different lighting applications. Complementing both outdoor environments and interior designs, its wide range of beam angles, LED chip colour variant options and accessories make the Calumma XS MC an ideal, extra small lighting solution for any architectural design.



## KEY FEATURES

### Lumen output & Light source

Luminaire with one high-power, multi-chip LED provides light output up to 331 lumens with an efficacy of 33 lm/w. Offering a choice of multiple LED colour variants, precise beam control with no light spill, and perfectly homogenised light output, it's an excellent solution for applications requiring high performance in a compact luminaire.

### Design & Durability

Lightweight, compact, durable and stylish housing made of high-pressure die cast aluminium. IP67 and IK10 certification; suitable for marine applications (Harsh Environment Finish required) and traffic applications. Supported with a 5 year warranty.

### Flexibility

An exceptionally compact luminaire available with a wide range of accessories, custom colour finishes, LED choices, and beam angle options, Calumma XS offers the lighting designer a flexible solution for the most demanding applications.

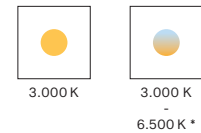
## COLOURS

\* UPON REQUEST



## COLOUR TEMPERATURE

\* UPON REQUEST

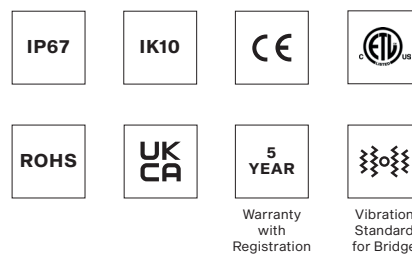


## CONTROL & PROTOCOLS



REMOTE /  
REMOTE  
BASIC

## STANDARD & SPECIFICATION

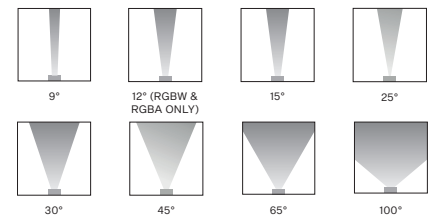


## FINISH OPTIONS

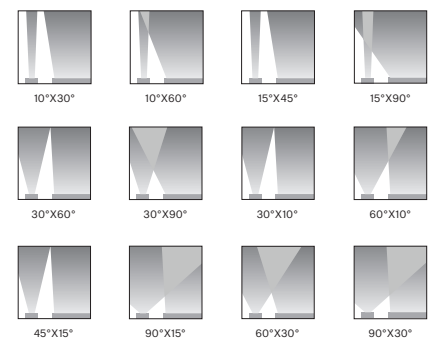


## OPTIC OPTIONS

### SYMMETRICAL



### BI-SYMMETRICAL



**CALUMMA XS MC SPECIFICATION**

<b>ELECTRICAL</b>	Typical Power Consumption	10 W	
	Input Voltage	48 V	
<b>OPTICAL</b>	Light Source	High Power Multichip LED	
	Colour Variants	RGBW (W - 6500 K)   RGBA   PW (W - 3000 K) Other Variants On Request (TW 3000 - 6500 K)	
	Beam Angle	9°   12° (RGBW & RGBA only)   15°   25°   30°   45°   65°   100° 10°x30°   30°x10°   10°x60°   60°x10°   15°x45°   45°x15° 15°x90°   90°x15°   30°x60°   60°x30°   30°x90°   90°x30°	
	Lumen Output Delivered	331 lm (@9°RGBW)	
	Projected Lumen Maintenance	L90B10 >90.000 hrs, Ta = 25°C / 77°F	
<b>CONTROL</b>	Interface protocol	Via E-box Remote or E-box Remote Basic	
	E-Box Remote control protocol	USITT DMX512/RDM, ArtNet, MA Net, MA Net2, sACN, Kling-Net	
	Setting / addressing	E-box Remote, RDM communicator	
	Connectivity & Power Supply	E-Box Remote   Remote Basic	
<b>PHYSICAL</b>	Width x Height x Depth	94 x 108 x 76 mm (3.7 x 4.2 x 2.99 in.)	
	Weight	0.59 kg   1.3 lbs	
	Housing	High Pressure Die-Cast Aluminium Body   Tempered Glass	
	Finish Options	Standard Colour - Graphite Black (RAL 9011)   Silver (RAL 9006) Cost Option - Custom RAL   Harsh Environment (RAL 9016, RAL 9011)	
	Cabels / Connectivity	<b>IN</b> - 1 m cable with bare end - Other cable length - custom - Junction box - optional	
	Mounting Method	Yoke or Yoke for Pole Adaptor	
	Adjustability	+180° / -180°	
	Protection Factor	IP67 (IP66 Junction Box) / Suitable For Wet Locations	
	IK Rating	IK10	
	Cooling System	Convection	
	Operating Ambient Temperature	-20 °C / +50 °C (-4 °F / +122 °F)	
	<b>CERTIFICATION</b>	Listings	ETL / cETL, CE, RoHS, UKCA
	<b>ACCESSORIES</b>		Optical Demo Set for Calumma XS
		Top Hat Calumma XS	
		Half Top Hat Calumma XS	
		Tenon Adaptor for Calumma XS	
		Twin Wall Cover Calumma XS Pole Adaptor (ø 102mm) (Yoke for Pole Adaptor Required)	

**PROJECTED AREA**

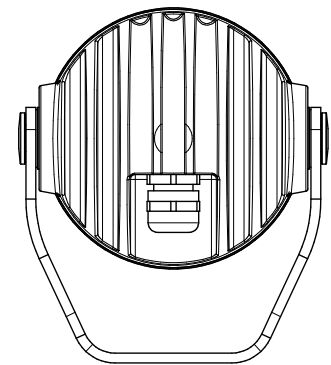
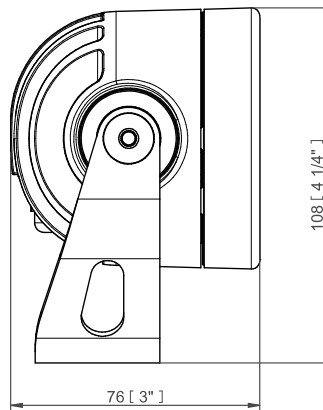
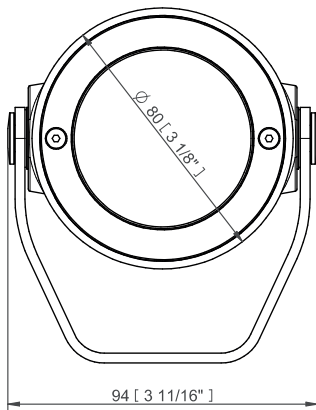
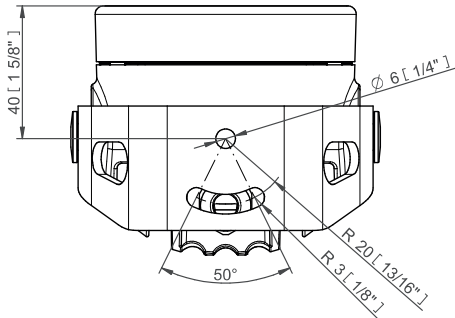
	Front (rear) - m <sup>2</sup>	Front (rear) ft <sup>2</sup>	Side - m <sup>2</sup>	Side - ft <sup>2</sup>	Top - m <sup>2</sup>	Top - ft <sup>2</sup>
<b>Calumma XS</b>	0,006	0,065	0,007	0,070	0,006	0,065
<b>with Top Hat</b>	0,006	0,065	0,014	0,151	0,014	0,151
<b>with Half Top Hat</b>	0,006	0,065	0,008	0,082	0,014	0,151

**CONNECTIVITY**

Following table shows maximum connected Calummas XS SC in a row with respect of cable length.

Cable length	Per E-Box Remote	Per 1 LED output
<b>50 m (max per 1 output)</b>	40 pcs	20 pcs
<b>100 m (total length, 2x output)</b>		20 pcs

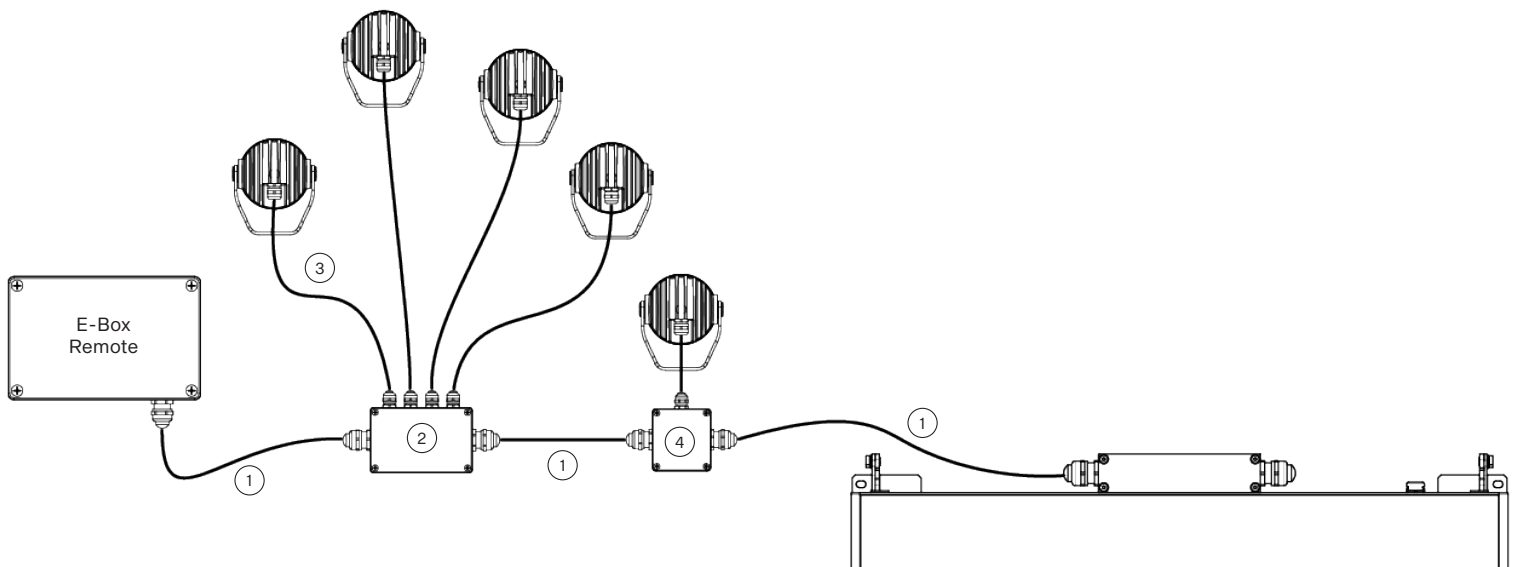
**DIMENSIONS**



**CONTROL AND CONNECTION OPTIONS**

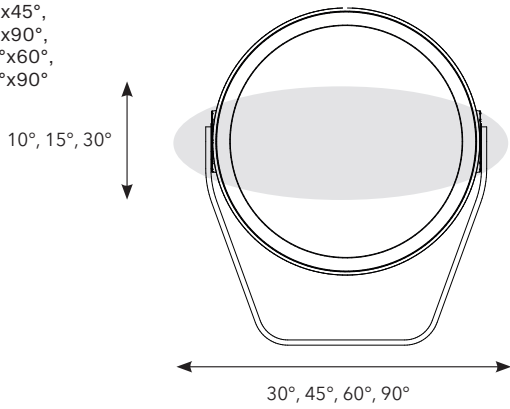
**Via E-Box REMOTE (Calumma XS, Eminere Remote)**

- 1) SJTW 5x 14AWG (1305 3336), black or On request Cable SJTW 5x 14AWG (13053697), white
- 2) Junction Box for Calumma XS, (4x Output)
- 3) UL 20969 5x 20AWG (13053481), black or On request Cable SJTW 5x 20AWG (13053696), white
- 4) Junction Box for Calumma XS, (1x Output)

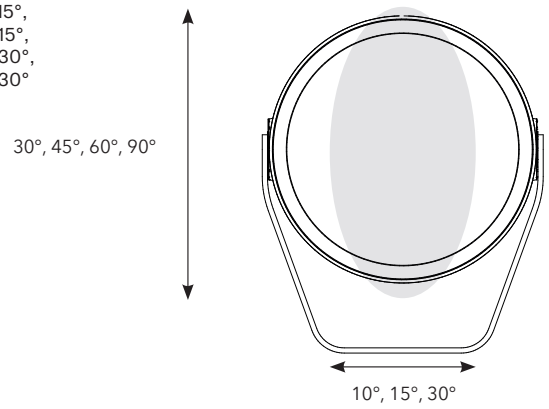


**BI-SYMMETRICAL BEAM ANGLES**

Bi-symmetrical:  
10°x30°,  
10°x60°,  
15°x45°,  
15°x90°,  
30°x60°,  
30°x90°



Bi-symmetrical:  
30°x10°,  
60°x10°,  
45°x15°,  
90°x15°,  
60°x30°,  
90°x30°



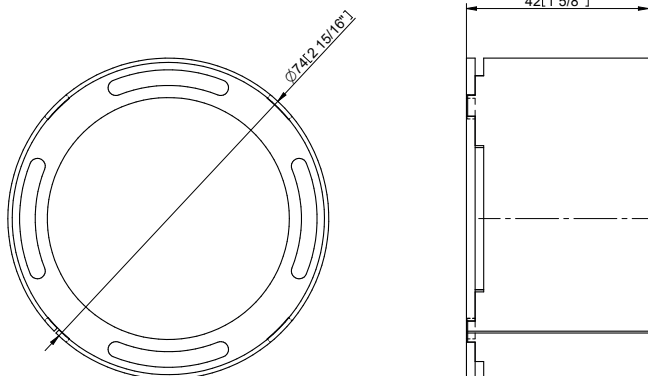
**PHOTOMETRIC OVERVIEW**

Lumen Output (lm)

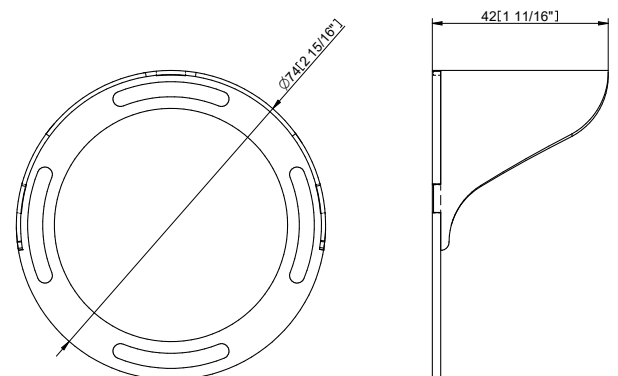
	RGBCW (W 6500 K)	RGBA	WW (W 3000 K)
9°	331	284	282
12°	331	284	-
15°	256	220	218
25°	254	218	217
30°	250	214	213
45°	254	218	217
65°	254	218	217
100°	251	215	214
10° x 30°, 30° x 10°	240	206	205
10° x 60°, 60° x 10°	267	229	228
15° x 45°, 45° x 15°	272	233	232
30° x 60°, 60° x 30°	252	216	215
30° x 90°, 90° x 30°	272	233	232
15° x 90°, 90° x 15°	301	258	257

**ACCESSORIES**

Top Hat



Half Top Hat



Pole Adaptor (ø 102mm, Yoke for pole Adaptor Required / PA)

Example of ordering code: Calumma XS MC RGBCW 15° PA

