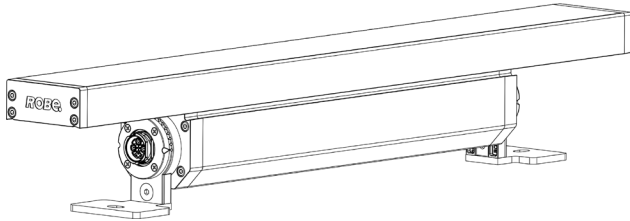




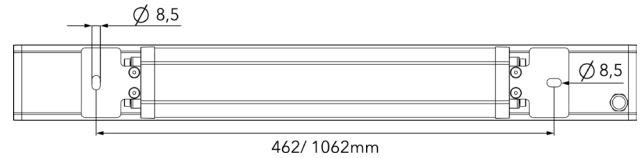
QR code for Installations Instructions



The unit must be installed by a qualified electrician in accordance with all national and local electrical and construction codes and regulations. This device falls under class one and must be grounded!



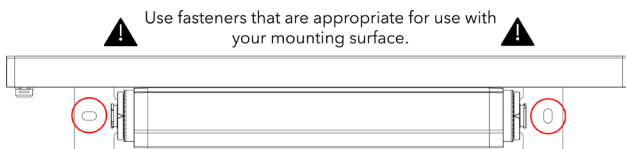
Eminere UV with standard mounting brackets.



Brackets spacing.

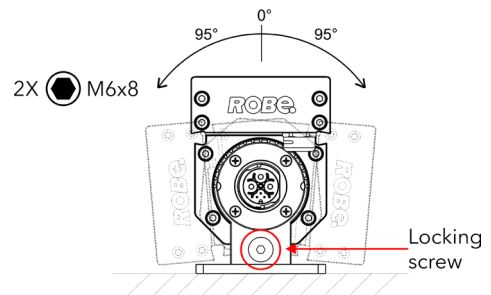
STEP 1.A
MOUNTING AND TILTING - STANDARD BRACKETS

1



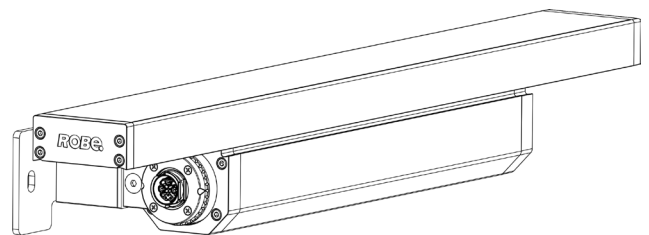
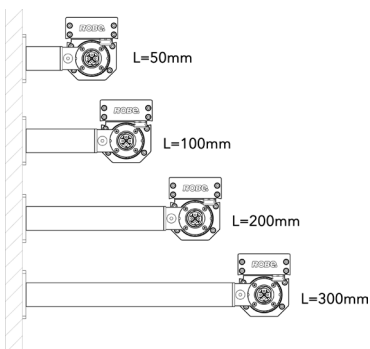
The Eminere UV can be arranged in any orientation on a flat, non-flammable surface by means of two mounting brackets. Two mounting holes can be drilled into the mounting surface according to brackets spacing and size of fasteners, prior to mounting of the fixture.

2



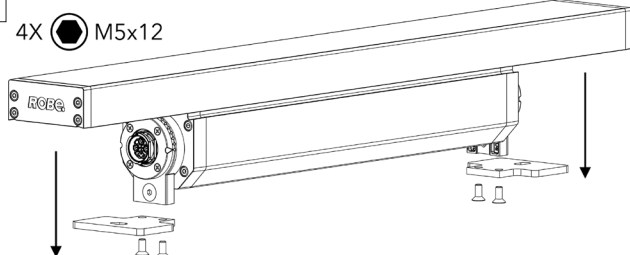
Mounting brackets can be tilted by 190°. Loosen M6x8 locking screws on both sides, adjust fixture to desired position and fasten the fixture to mounting surface (via pre-drilled holes). Tilt the luminaire into desired angle and tighten locking screws on both sides.

STEP 1.B
INSTALLATION OF WALL MOUNT BRACKETS



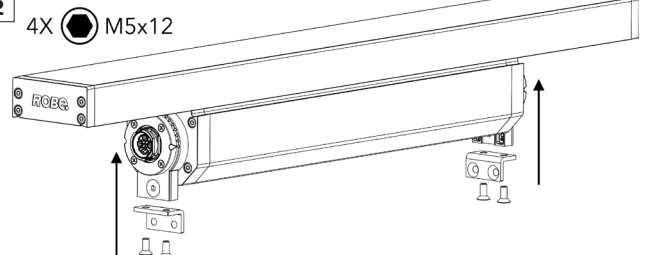
Eminere UV with Wall Mount Brackets.

1

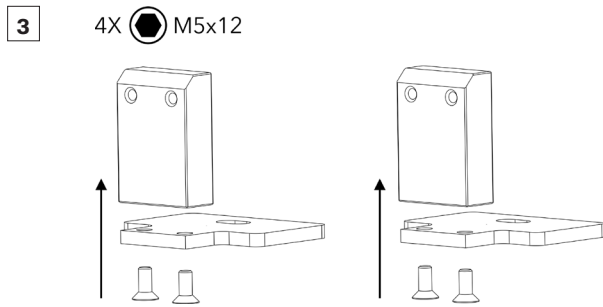


Unscrew four M5x12 from original mounting brackets and remove the brackets.

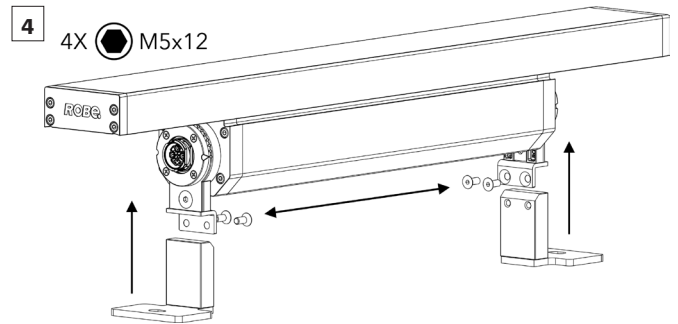
2



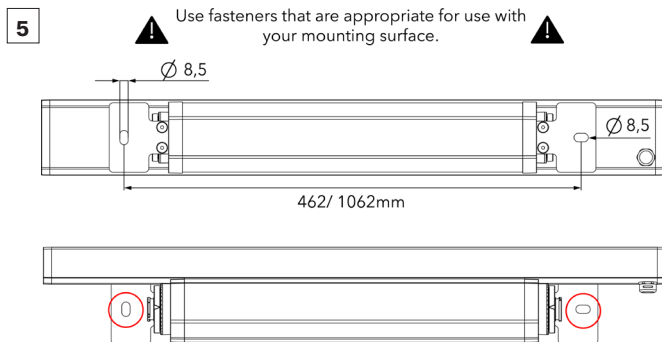
Fasten L-shape brackets into screw holes of original mounting brackets on both sides with four M5x12 screws.



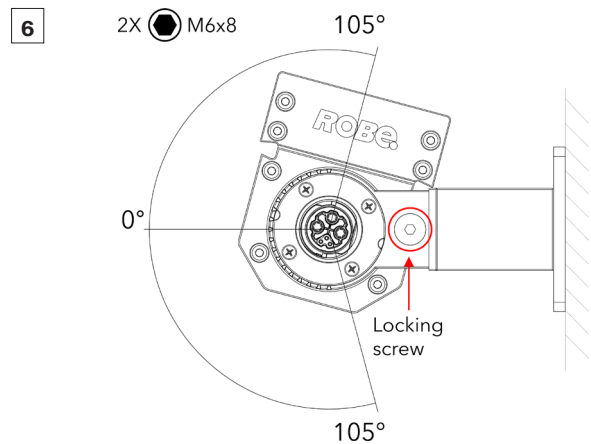
Fasten together original Mounting Brackets and Wall Mount extension parts with four M5x12 screws (as illustrated).



Fasten together the Wall Mount Brackets and L-shape brackets on the fixture with four M5x12 screws.

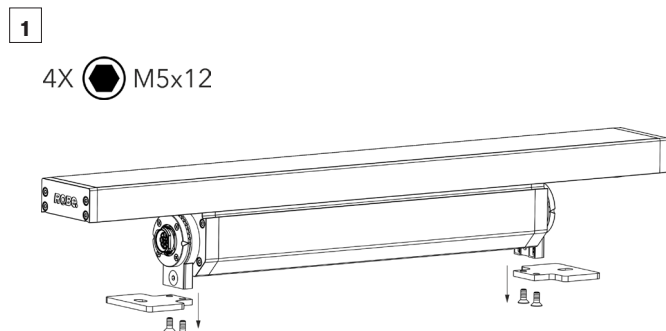


Fixture can be mounted in any orientation on a flat, non-flammable surface. Luminaire can be tilted for easier access to mounting holes (see next step).

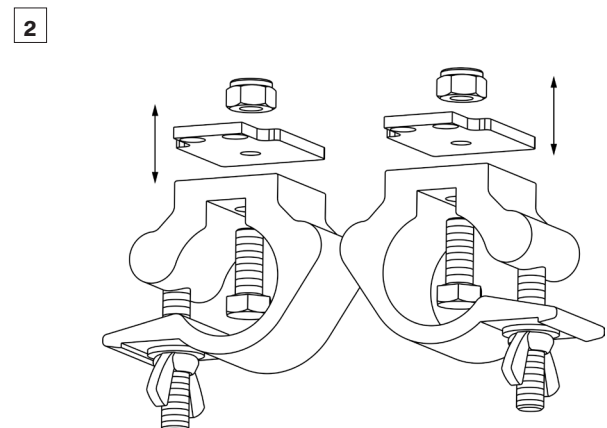


Fixture with Wall Mount brackets can be tilted by +105°/-105°. Loosen M6x8 locking screws on both sides, adjust fixture to desired angle (mount fixture to the surface, if it's not done yet) and tighten locking screws on both sides.

**STEP 1.C
INSTALLATION WITH WALL-MOUNT BRACKETS**



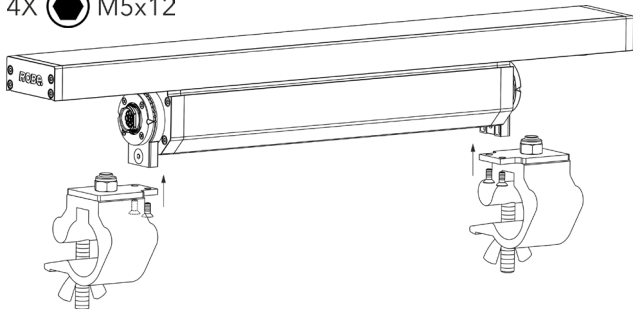
Unscrew the two screws on each side and remove standart mouting brackets.



Two times screw the C-clamp and base(C-clamps) with the screw and self-locking nut.

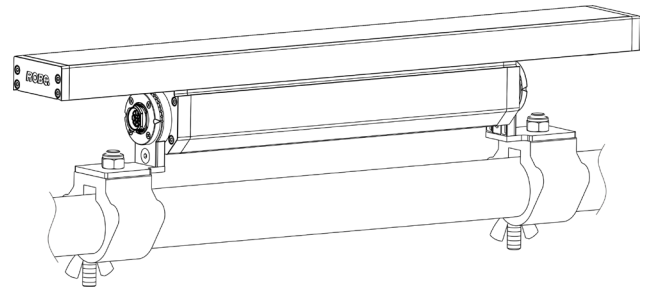
3

4X M5x12



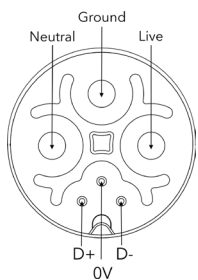
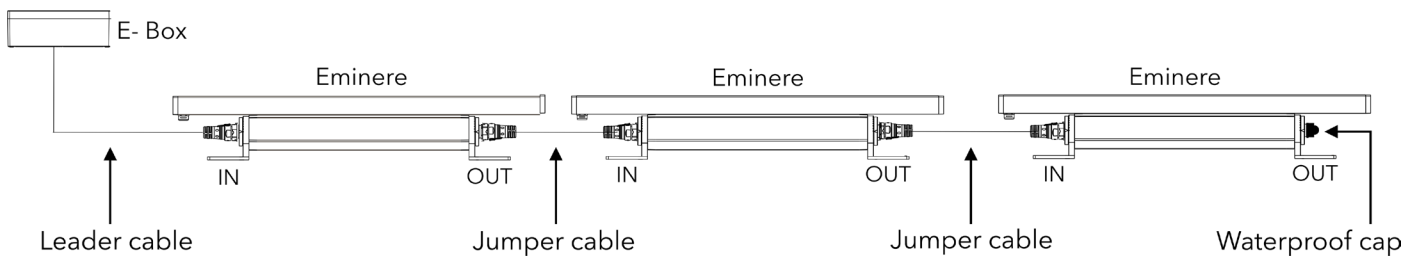
Screw the C-clamp Adaptors on each side with two screws

3

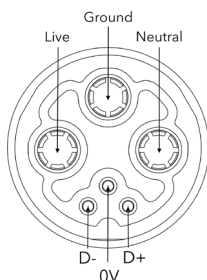


Place the fixture on the tubular structure and tighten the wing nuts on the C-clamp adaptors on each side.

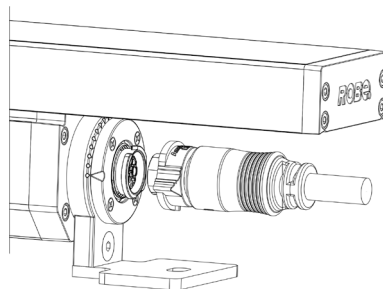
**STEP 2
CONNECTION**



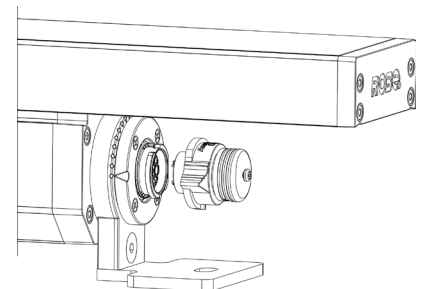
Fixture Input Connector shown



Fixture Output Connector shown



Jumper / Leader Cable



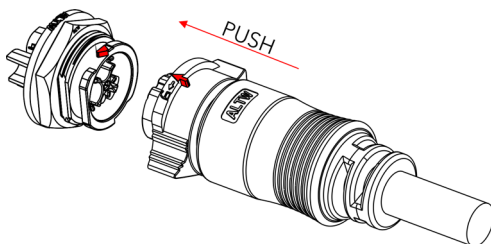
Waterproof cap
Install on last fixture in a row.

CONNECTION OF CABLE AND PANEL CONNECTORS

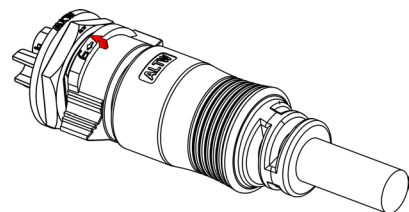
⚠ Same installation for Jumper/Leader cable and Waterproof cap.

LOCK

1



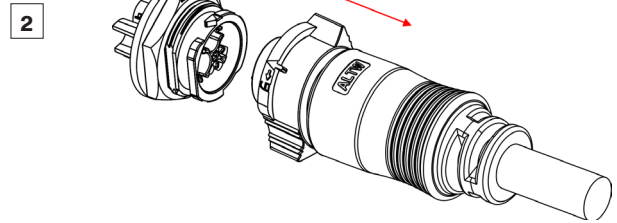
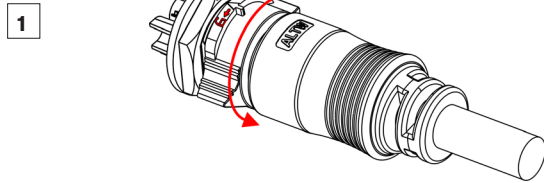
2



Cable connector mated to panel connector.

Align the arrow symbols on both connectors and push cable connector straight into the panel connector. DO NOT TWIST THE BAYONET LOCK. Correct connection should be signaled by silent „click“ sound.

UNLOCK



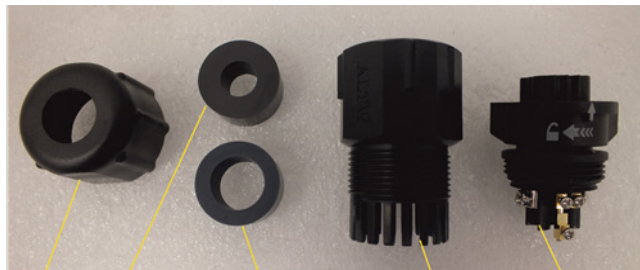
Rotate the bayonet lock counter-clockwise by 30° (same as the arrow direction). Do not rotate clockwise during unmating process!

Drop out.

ASSEMBLING OF FIELD INSTALLABLE CONNECTOR

- Dismantle the connector and slide its parts onto the cable (5). Use the seal with inner diameter of 14.5 mm for the Anolis cable. The seal with inner diameter of 14.5 mm serves for cable of diameter 10-14.5mm. The seal with inner diameter of 10 mm serves for cable of diameter 8-10mm.

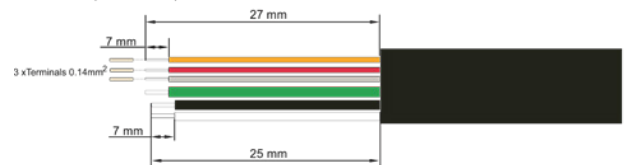
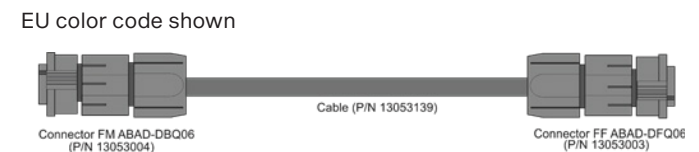
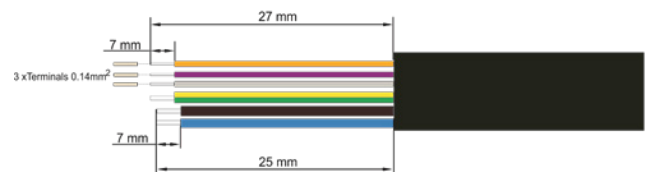
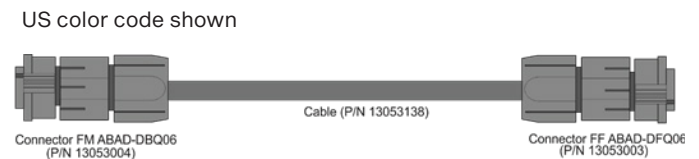
- Remove insulation from the cable (5) and from individual wires and fasten three terminals on data wires.



Sealing nut 4 Seal (inner diameter of 10mm) Seal (inner diameter of 14.5mm) 3 Clamp ring 2 Connector with screws 1



5 Cable



- Put parts of the connector on the cable (5) and connect wires to the connector. First connect power wires (L,N, Earth) and after that data wires (D+, D-, 0V). Avoid excessive torsion of data wires!

US color code shown

MALE

FEMALE

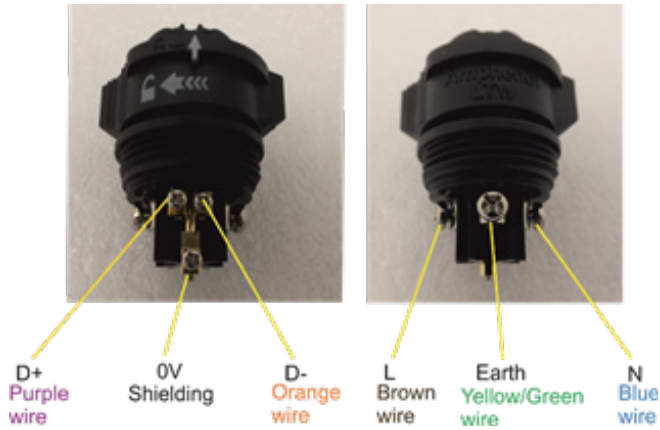


D+ Red wire 0V Shielding D- Orange wire L Black wire Earth Green wire N White wire

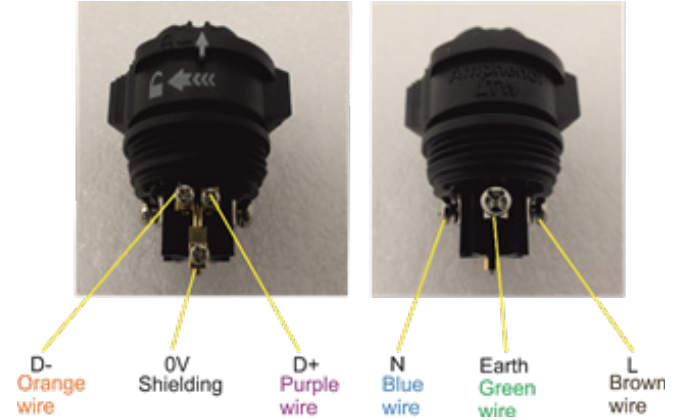
D- Orange wire 0V Shielding D+ Red wire N White wire Earth Green wire L Black wire

EU color code shown

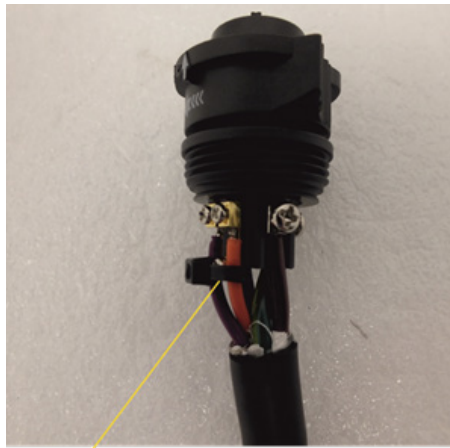
MALE



FEMALE



4 After connecting wires to the connector, tighten the three data wires (D+,D-, 0V) by means of the cable binder (6).

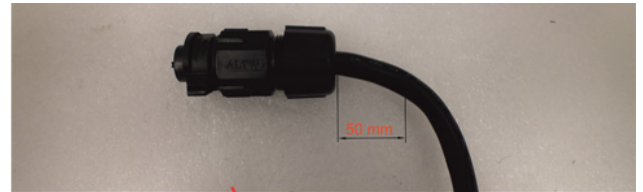


6
Cable binder

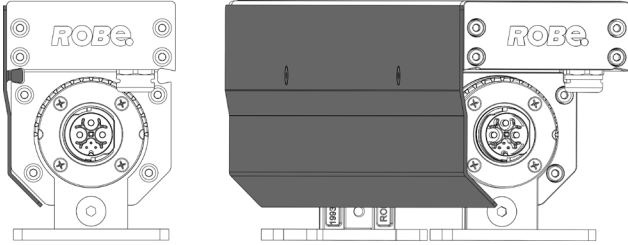
5 Screw the clamp ring (2) to the connector (1), insert the seal (3) to the clamp ring (2) and tighten the sealing nut (4) enough. During the steps DO NOT TWIST the cable (5).

6 Use the same procedure to assemble the connector on the second end of the cable.

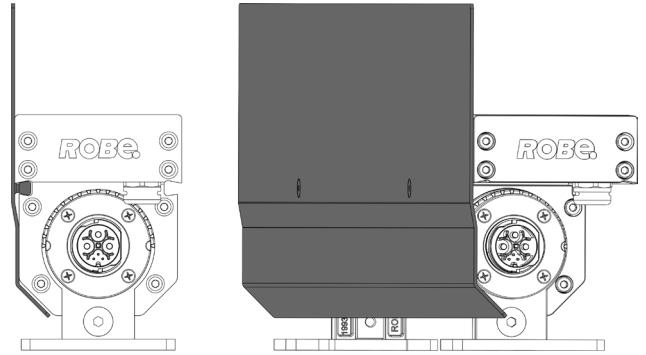
Do not bend the cable near to the connector, minimum distance for bending is 50mm.



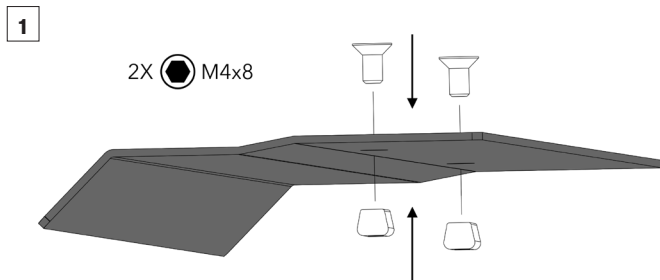
STEP 3
INSTALLATION OF ACCESSORIES - CABLE COVER AND SHIELD



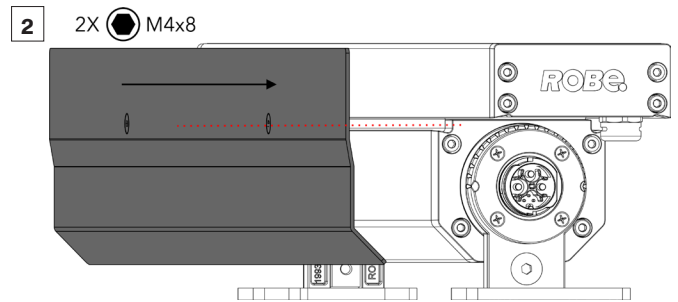
CABLE COVER



SHIELD

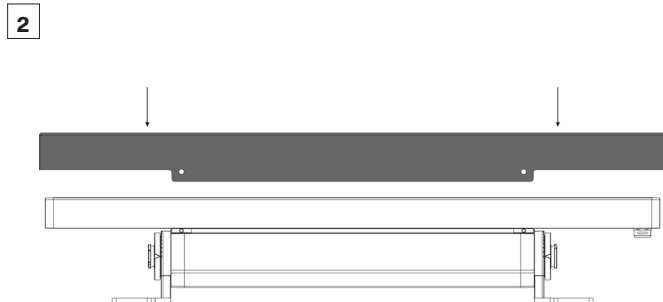
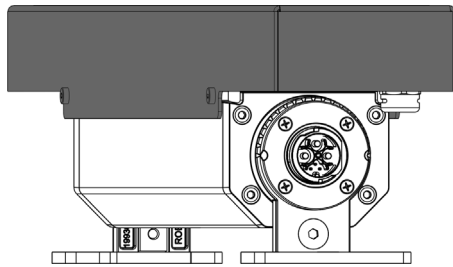


Install two sliders on the accessory via two prepared holes and two M4x8 screws. Do not tighten them completely yet.



Slide the accessory into the groove on fixture's side. Center it and tighten the screws completely.

STEP 3
INSTALLATION OF ACCESSORIES - BLACK GLASS ADAPTOR



Slide the Black Glass Adaptor on top of the luminaire.



Slide two mounting blocks into the groove on each side of fixture (4 in total). Blocks should be just at outer sides of grooves, in position where they match position of mounting holes in the Black Glass Adaptor.



Fasten the Black Glass Adaptor via four blocks installed in grooves and four M4x8.