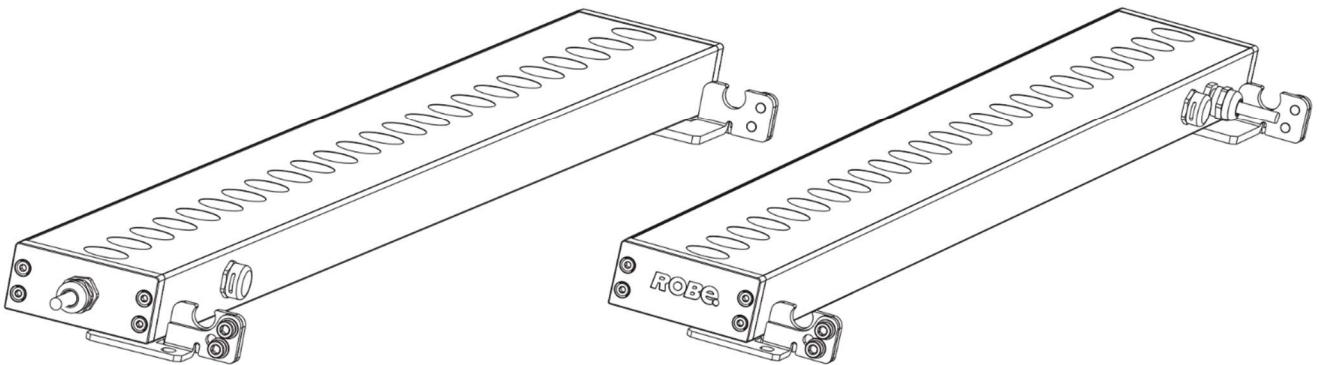


Eminere[®] Classic 12
Eminere[®] Classic 24
Eminere[®] Classic 36



QR code for user manual



USER MANUAL

Version 1.2

Table of contents

1. Safety instructions	3
2. Installation	5
2.1 Mounting the fixture	5
2.2 Connection to driver	5
3. Technical specifications	8
4. Cleaning and maintenance	12
4.1 Disposing of the product	12
5. ChangeLog	12

**FOR YOUR OWN SAFETY, PLEASE READ THIS USER MANUAL CAREFULLY
BEFORE POWERING OR INSTALLING YOUR EMINERE CLASSIC !
Save it for future reference.**

This device has left our premises in absolutely perfect condition. In order to maintain this condition and to ensure safe operation, it is absolutely necessary for the user to follow the safety instructions and warnings written in this manual.

The manufacturer will not accept liability for any resulting damages caused by the non-observance of this manual or any unauthorized modification to the device.

Unauthorized modification will void warranty.

This device is for professional use only. It is not for household use.

1. Safety instructions

Consider respective national norms during fixture installation.

Always disconnect the fixture from power before cleaning, servicing or installing.

Do not install the unit near an open flame.

Make sure the power cable is not damaged by sharp edges.

LED light emission. Risk of eye injury. Do not look into the beam from a short distance without suitable protective eyewear. Do not look at LEDs with magnifiers or similar optical instruments that may concentrate the light output.

The fixture was designed for outdoor use. This fixture must not be used for underwater installation.

When choosing the installation spot, please make sure that the fixture is not exposed to extreme heat or dust.

Avoid using the unit in locations subject to possible impacts.

The fixture body never must be covered with cloth or other materials when the fixture is under operation.

Only operate the fixture after having checked that the housing is firmly closed and all screws are tightly fastened.

The fixture becomes hot during operation. Allow the fixture to cool approximately 30 minutes prior to servicing, cleaning or maintenance.

Please consider that unauthorized modifications on the fixture are forbidden due to safety reasons!

Please use the original packaging if the fixture is to be transported.

Refer servicing to qualified service personnel.

Eminere Classic

The product (covers and cables) must not be exposed to a high frequency electromagnetic field higher than 3V/m.

Immunity of the equipment is designed according to the standard EN 55035 Electromagnetic compatibility of multimedia equipment - Immunity requirements

Emission of the equipment complies with the standard EN55032 Electromagnetic compatibility of multimedia equipment – Emission Requirements according to class B.

This device complies with part 15 of the FCC Rules. Operation is subject to the following two conditions: (1) This device may not cause harmful interference, and (2) this device must accept any interference received, including interference that may cause undesired operation.

Changes or modifications not expressly approved by the party responsible for compliance could void the user's authority to operate the equipment.

The [Device] wireless operation is safe and complies to RF Exposure requirements.

This equipment has been tested and found to comply with the limits for a Class B digital device, pursuant to part 15 of the FCC Rules. These limits are designed to provide reasonable protection against harmful interference in a residential installation. This equipment generates, uses and can radiate radio frequency energy and, if not installed and used in accordance with the instructions, may cause harmful interference to radio communications. However, there is no guarantee that interference will not occur in a particular installation. If this equipment does cause harmful interference to radio or television reception, which can be determined by turning the equipment off and on, the user is encouraged to try to correct the interference by one or more of the following measures:

- Reorient or relocate the receiving antenna.
- Increase the separation between the equipment and receiver.
- Connect the equipment into an outlet on a circuit different from that to which the receiver is connected.
- Consult the dealer or an experienced radio/TV technician for help.

Warning for fixture with Harsh Environment Finish (HEF):

Handle with care!

Avoid any damage to the painted surface.

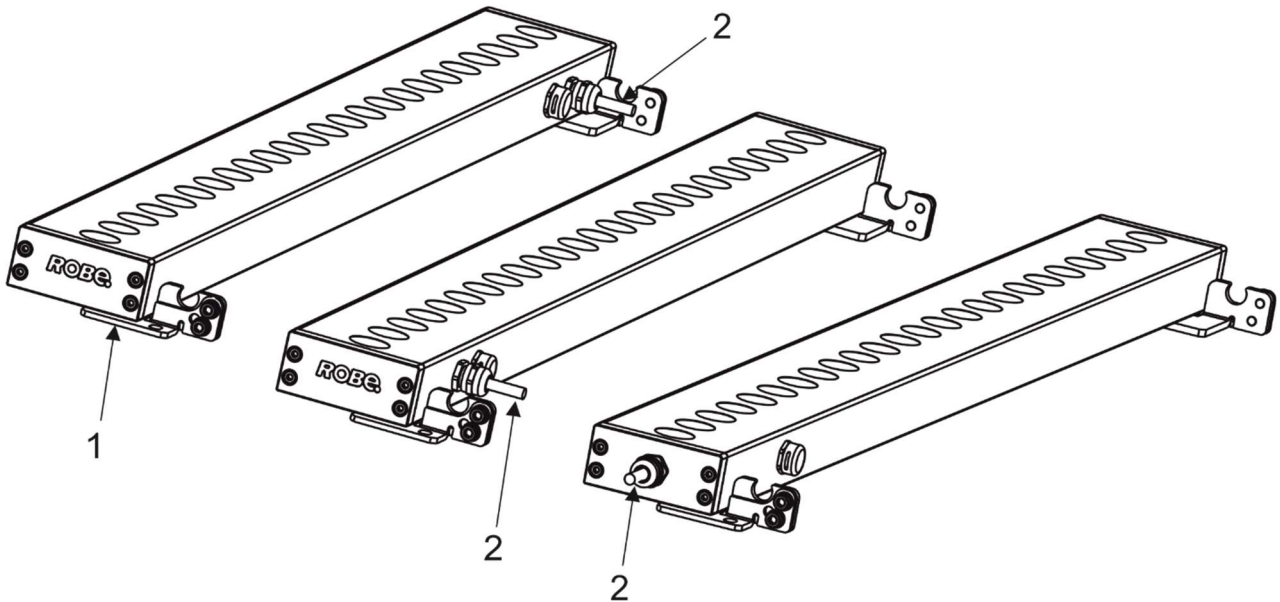
Damaging the paint may result in corrosion and loss of warranty.

2. Installation

2.1 Mounting the fixture

The Eminere Classic can be arranged in any orientation on a flat, non-flammable surface by means of two mounting brackets (1) which can be tilted by 30°.

The Eminere Classic can be produced in two versions: rear input and side input. Both versions can be produced with input (2) on the left or right side of the fixture.



Ensure that the structure to which you are attaching the fixture is secure.

A structure intended for installation of the fixture(s) must safely hold at least 5 times the weight of the fixture(s) fastened on it.

2.2 Connection to driver

The fixture must be installed by a qualified electrician in accordance with all national and local electrical and construction codes and regulations.

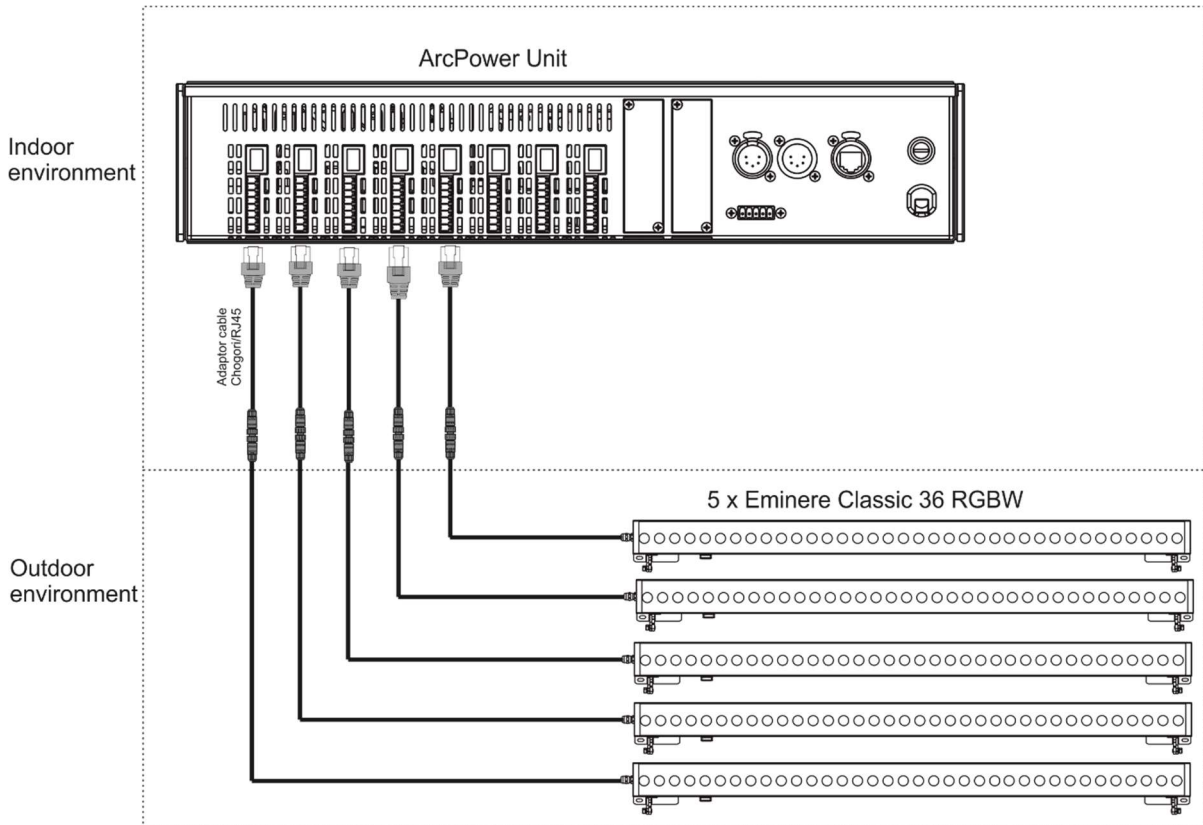
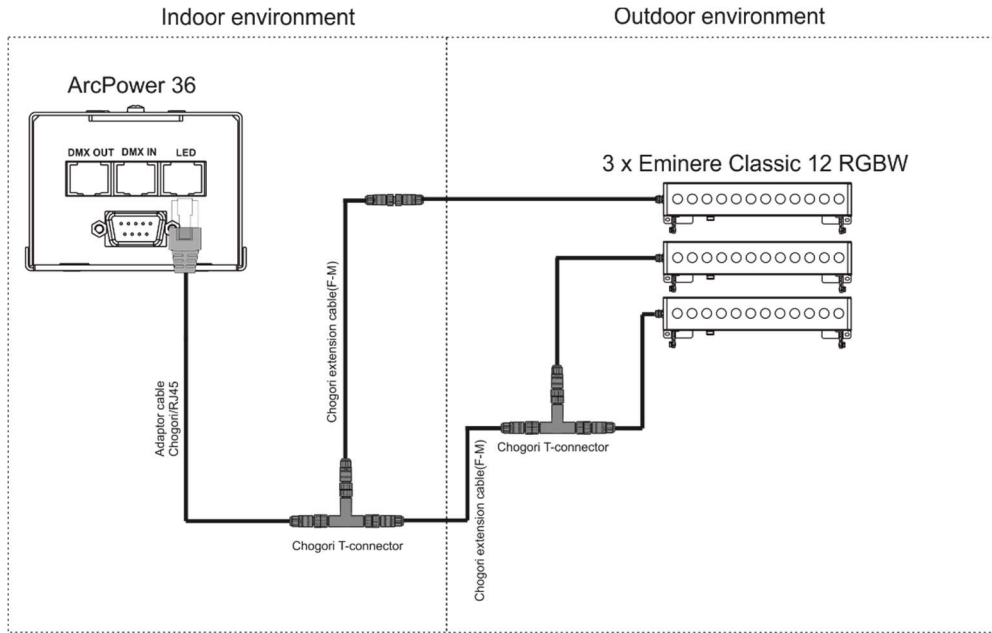
Do not connect (disconnect) Emineres Classic to the driver when the driver is under voltage!

The Eminere Classic should be connected to the ArcPower drivers (ArcPower 36/72/144, ArcPower Unit).
Note. Drivers ArcPower 36/72/144 offer LED current 350mA only, for LED current 500mA and 700mA serves the ArcPower Unit.

Needed cables and connectors are stated in the chapter "Technical specifications".

Eminere Classic

Examples of connection



Fixture's Chogori connector is water protected according to IP 67 by mating with related Chogori connector. It cannot stay disconnected outdoor without covering the waterproof cap (optional item).

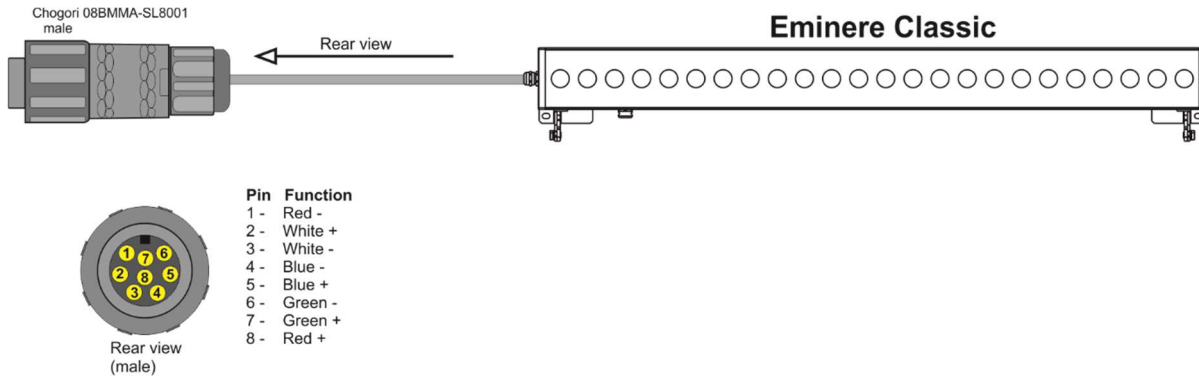
Max. number of connected fixtures to one LED output of the ArcPower driver:

Type of Eminere	ArcPower 36/ArcPower 72/ArcPower 144	ArcPower Unit
Eminere Classic 12	3	4
Eminere Classic 24	1	2
Eminere Classic 36	1	1

Eminere Classic

Wiring of cables and connectors

Eminere Classic



Chogori (female) to RJ45 adaptor cable (for indoor use only)



Chogori extension cable (male-female)



3. Technical specifications

Electrical

- Input voltage: 48V
- Max. input current (per colour): 350mA/500mA/700mA
- Power consumption:
 - Eminere Classic 12: 14W (at 350mA), 28W (at 700mA)
 - Eminere Classic 24: 28W (at 350mA), 56W (at 700mA)
 - Eminere Classic 36: 32W (at 350mA), 64W (at 700mA)

Optical

- Light source:
 - Eminere Classic 12: 12 x high power single chip LEDs
 - Eminere Classic 24: 24 x high power single chip LEDs
 - Eminere Classic 36: 36 x high power single chip LEDs
- Colour variants: RGBW, RGBA, PW, TW (2700K-6500K)
- Beam Angle:
 - Symmetrical: 9°, 15°, 30°, 50°, 65°, 100°
 - Bi-symmetrical: 10° x 30°, 30° x 10°, 10° x 60°, 60° x 10°, 35° x 70°, 70° x 35°, 15° x 90°, 90° x 15°
 - Asymmetrical: Wallwasher, Wide wallwasher
- Projected Lumen Maintenance: L90B10 >90.000 hrs, Ta = 25°C / 77°F

Compatible drivers

- For 350mA:
 - ArcPower 36/ArcPower 36 SmartWhite
 - ArcPower 72/ArcPower 72 SmartWhite
 - ArcPower 144/ArcPower 144 SmartWhite
- For 350/500/700 mA:
 - ArcPower Unit Rack Mount/ArcPower Unit Wall Mount

Mounting method

- Surface mount with different types of brackets
- LED module "tilt" adjustment range: 30°

Max. cable length between driver and all connected Emineres Classic

- Eminere Classic 12/24/36: 80 m (for AWG 22/ 0.322mm²)

Housing

- Aluminium extruded body with aluminium die-casted end caps
- Tempered glass

Cooling system

- Convection

Total heat dissipation (calculated)

- Eminere Classic 12: 36 BTU/h (at 350mA), 72 BTU/h (at 700mA)
- Eminere Classic 24: 72 BTU/h (at 350mA), 143 BTU/h (at 700mA)
- Eminere Classic 36: 82 BTU/h (at 350mA), 163 BTU/h (at 700mA)

Protection factor

- CE: IP 67
- US: Suitable for wet location

Eminere Classic

Impact rating

- CE: IK06

Operating ambient temperature range

- -20°C /+40°C (-4°F /+104°F)

Operating temperature

- +67°C @ Ambient +40°C (+153°F @ Ambient +104°F)

Connection

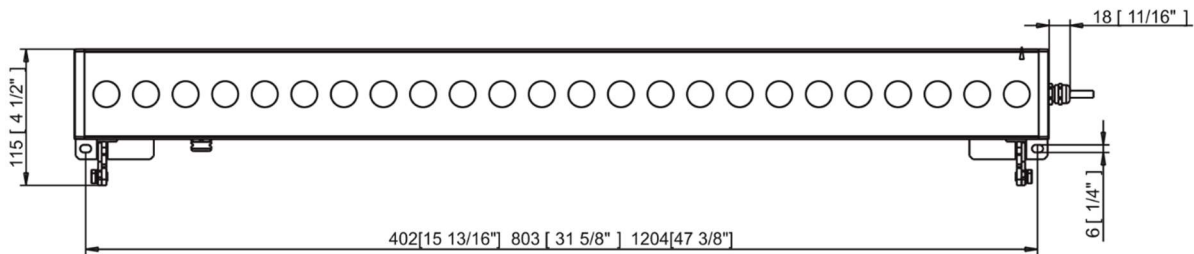
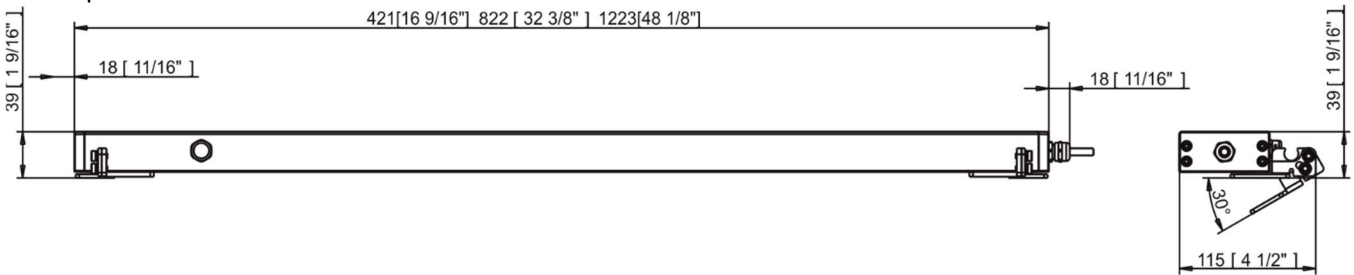
- 0.5m cable (standard) with connector Chogori IP67

Weight

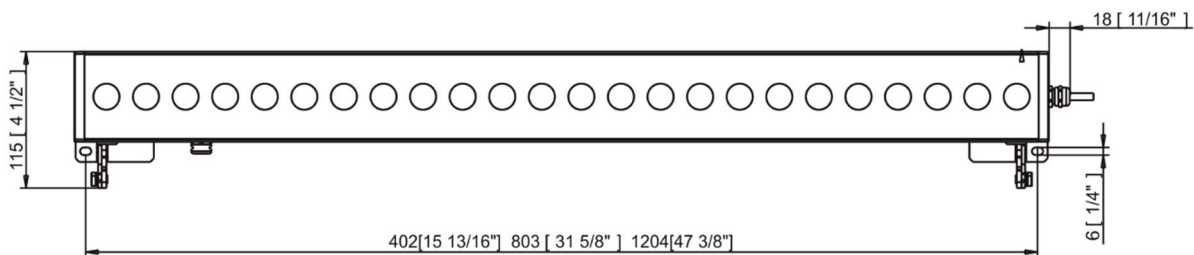
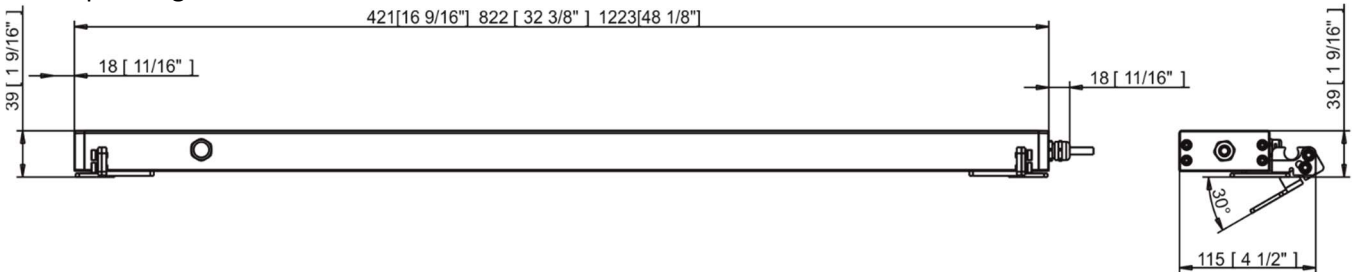
- Eminere Classic 12: 3.1 kg (6.83 lbs)
- Eminere Classic 24: 4.1 kg (9.04 lbs)
- Eminere Classic 36: 5.1 kg (11.24 lbs)

Dimensions (All dimensions in mm [inch])

Side input - standard

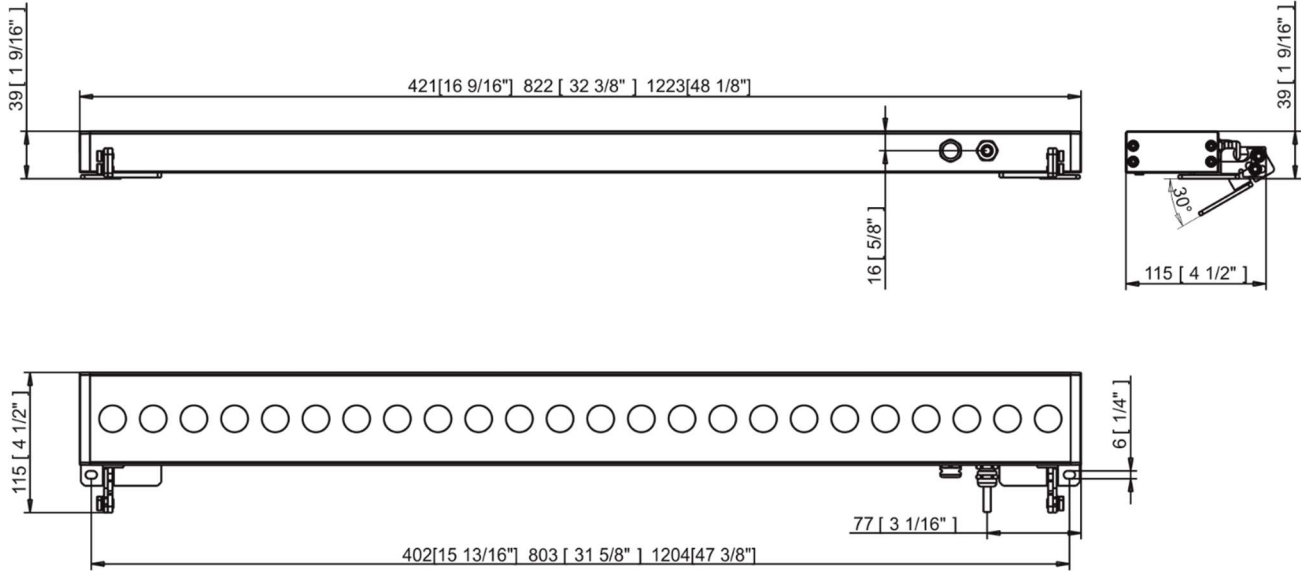


Side input – right

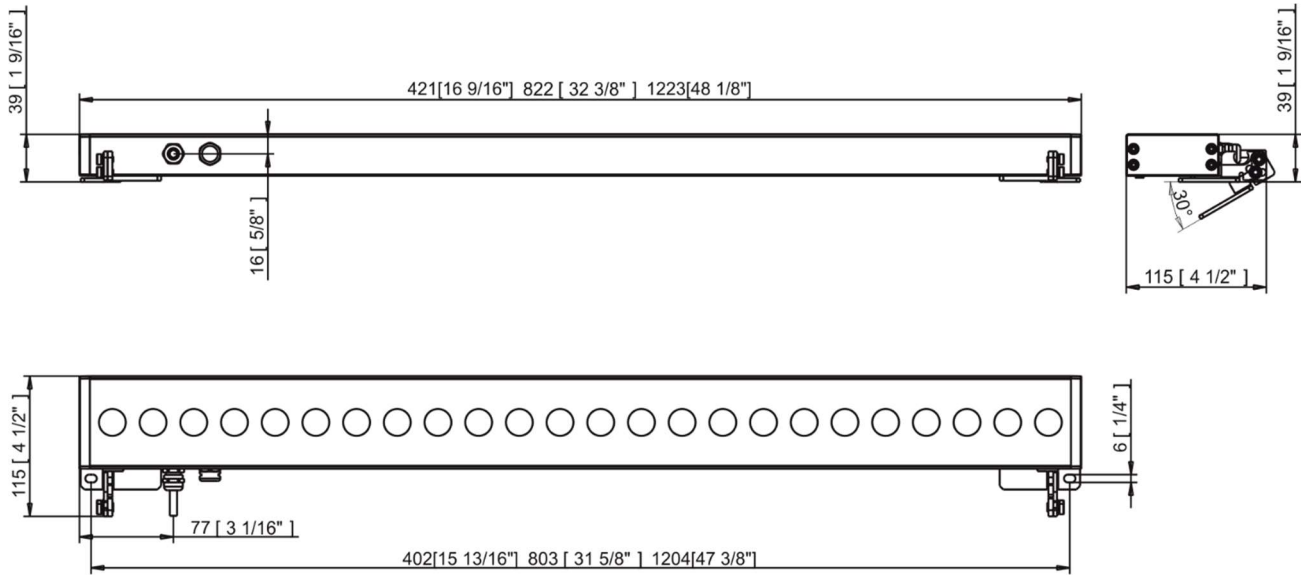


Eminere Classic

Rear input - standard



Rear input - right



Included items

- 1 x Eminere Classic
- 1 x Connector Chogori CGRBDU-08BFFA (female), IP67, (P/N 13051601)

Optional accessories

- Connectors
 - (P/N 13051601) Chogori connector, 8-Pin female IP67
 - (P/N 13051602) Chogori connector, 8-Pin male IP67

Eminere Classic

(P/N 13051938) Chogori T-connector, 8 Pin

- End caps

(P/N 13051950) Chogori waterproof cap, male

(P/N 13052451) Chogori waterproof Cap, female

- CE Outdoor extension cables Chogori (8pin,F)/Chogori (8pin,M)

(P/N 13052187) Extension cable CGR8 F/M, L1m

(P/N 13051960) Extension cable CGR8 F/M, L3m

(P/N 13052084) Extension cable CGR8 F/M, L7m

(P/N 13052059) Extension cable CGR8 F/M, L10m

(P/N 13052156) Extension cable CGR8 F/M, L20m

- US Outdoor extension cables Chogori (8pin,F)/Chogori (8pin,M)

(P/N 13052847) Extension cable CGR8 F/M, L1m, US

(P/N 13052848) Extension cable CGR8 F/M, L3m, US

(P/N 13052849) Extension cable CGR8 F/M, L7m, US

(P/N 13052850) Extension cable CGR8 F/M, L10m, US

- Indoor extension cables Chogori (8-pin,F)/RJ45

(P/N 13051966) Extension cable CGR8-F/RJ45, L0,25m

(P/N 13051630) Extension cable CGR8-F/RJ45, L3m

(P/N 13051631) Extension cable CGR8-F/RJ45, L7m

(P/N 13051682) Extension cable CGR8-F/RJ45, L15m

(P/N 13051829) Extension cable CGR8-F/RJ45, L20m

- Mounting brackets

(P/N 10980522) Mounting brackets for Eminere Remote L100 RAL9011

(P/N 10980523) Mounting brackets for Eminere Remote L200 RAL9011

(P/N 10980524) Mounting brackets for Eminere Remote L300 RAL9011

- Wall mount brackets

(P/N 10980770) Wall Mount Brackets Eminere Remote/Classic RAL9006

- Shields

(P/N 10980754) Shield for Eminere Classic 36 RAL9006

4. Cleaning and maintenance

DANGER !
Disconnect from the mains before starting any maintenance or cleaning work

Rinse off loose dirt with low pressure water spray. Wash the housing with a soft brush or sponge and a mild, non-abrasive washing detergent. Rinse it.

Maintenance and service operations are only to be carried out by a qualified person.

Should you need any spare parts, please use ROBE OEM parts.

4.1 Disposing of the product

To preserve the environment please dispose or recycle this product at the end of its life according to the local regulations and codes.

5. ChangeLog

This section summarizes changes in the user manual.

Version of manual	Date of issue	Description of changes
1.1	13/01/2023	QR code added
1.2	12/04/2023	Max. cable length added

Specifications are subject to change without notice.

April 12, 2023

Copyright © 2022-2023 Robe Lighting - All rights reserved

Made in CZECH REPUBLIC by ROBE LIGHTING s.r.o. Palackeho 416/20 CZ 75701 Valasske Mezirici