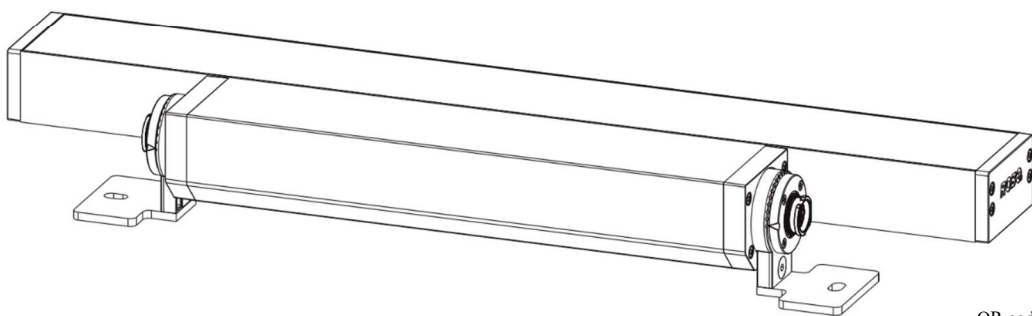


**Eminere<sup>®</sup> Side 2 Wireless DMX**  
**Eminere<sup>®</sup> Side 3 Wireless DMX**  
**Eminere<sup>®</sup> Side 4 Wireless DMX**



QR code for user manual



## Table of contents

1. Safety instructions .....	3
2. Fixture exterior view .....	4
3. Installation .....	5
3.1 Mounting the fixture .....	5
3.2 Connection to mains .....	5
3.3 The Booster box .....	8
3.4 The Booster box installation .....	9
4. Technical specifications .....	14
5. Cleaning and maintenance .....	18
5.1 Disposing of the product .....	18
6. ChangeLog .....	18

**FOR YOUR OWN SAFETY, PLEASE READ THIS USER MANUAL CAREFULLY  
BEFORE POWERING OR INSTALLING YOUR Eminere Side !  
Save it for future reference.**

This device has left our premises in absolutely perfect condition. In order to maintain this condition and to ensure safe operation, it is absolutely necessary for the user to follow the safety instructions and warnings written in this manual.

The manufacturer will not accept liability for any resulting damages caused by the non-observance of this manual or any unauthorized modification to the device.

Unauthorized modification will void warranty.

## 1. Safety instructions

**DANGEROUS VOLTAGE CONSTITUTING A RISK OF ELECTRIC SHOCK IS PRESENT WITHIN THIS UNIT!**

This fixture should be operated only from the type of power source indicated on the marking label. If you are not sure of the type of power supplied, consult your authorized distributor or local power company.

Always disconnect the fixture from AC power before cleaning, servicing or installing.

Make sure the data/power cable is not damaged by sharp edges. Check the fixture and the power cord from time to time.

Do not install the unit near an open flame.

During operation the housing becomes hot.

Refer servicing to qualified service personnel.

**This fixture falls under protection class I. Therefore this fixture has to be connected to a mains socket outlet with a protective earthing connection.**

Do not connect this fixture to a dimmer pack.

***LED light emission. Risk of eye injury. Do not look into the beam from a short distance without suitable protective eyewear. Do not look at LEDs with magnifiers or similar optical instruments that may concentrate the light output.***

The fixture was designed for outdoor use. This fixture must not be used for underwater installation.

When choosing the installation spot, please make sure that the fixture is not exposed to extreme heat or dust.

Avoid using the unit in locations subject to possible impacts.

The fixture body never must be covered with cloth or other materials when the fixture is under operation.

Only operate the fixture after having checked that the housing is firmly closed and all screws are tightly fastened.

The fixture becomes hot during operation. Allow the fixture to cool approximately 30 minutes prior to servicing or maintenance.

Operate the fixture only after having familiarized yourself with its functions. Do not permit operation by persons not qualified to operate the fixture. Most damages are the result of unprofessional operation!

Immunity of the equipment is designed for electromagnetic environments E1, E2, E3 according to the standard EN55103-2 ed.2 Electromagnetic compatibility. Product family standard for audio, video, audiovisual and entertainment lighting control apparatus for professional use. Part 2: Immunity.

The product (covers and cables) must not be exposed to a high frequency electromagnetic field higher than 3V/m

The installation company should check levels of possible interferences above the tested levels E1,E2,E3 given by this standard (e.g. transmitters in surrounding area) before installing the equipment.

Emission of the equipment complies with the standard EN55032 Electromagnetic compatibility of multimedia equipment – Emission Requirements according to class B.

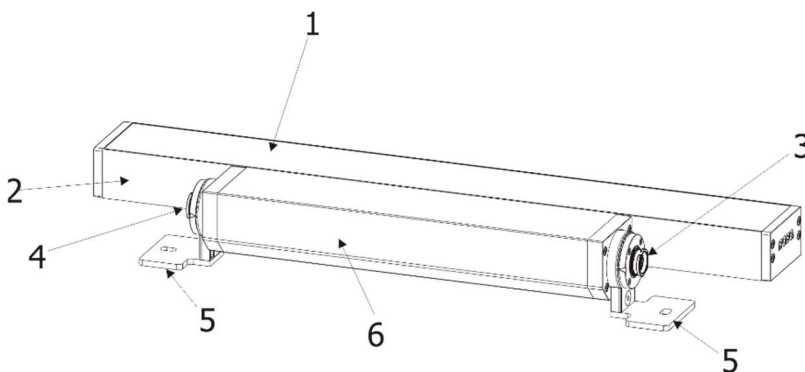
Please consider that unauthorized modifications on the fixture are forbidden due to safety reasons!

Please use the original packaging if the fixture is to be transported.

If this device will be operated in any way different to the one described in this manual, the product may suffer damages and the warranty becomes void. Furthermore, any other operation may lead to dangers like short-circuit, burns, electric shock etc.

**Warning for fixtures with Harsh Environment Finish (HEF):**  
**Handle with care!**  
**Avoid any damage to the painted surface.**  
**Damaging the paint may result in corrosion and loss of warranty.**

## 2. Fixture exterior view

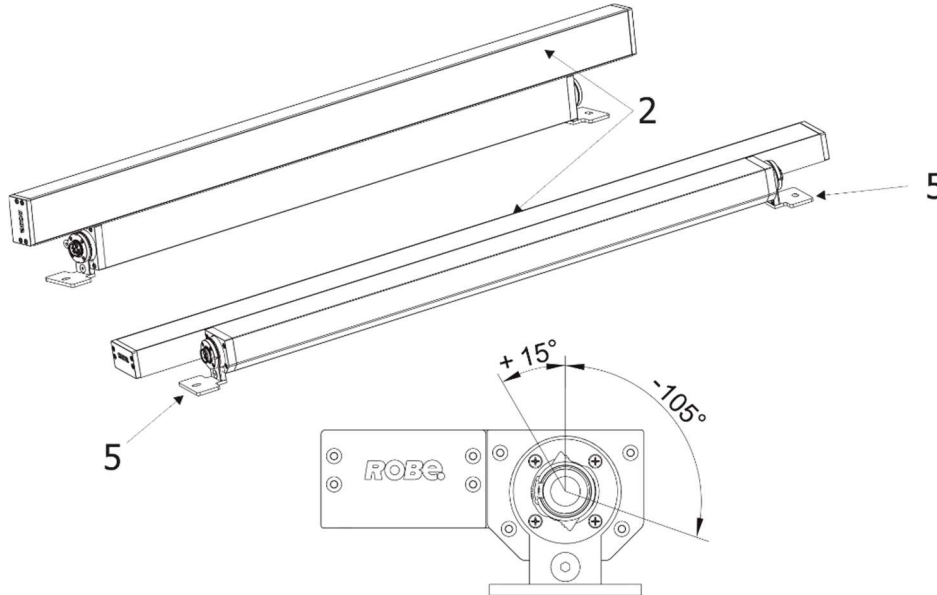


- 1. Transparent glass cover
- 2. LED module
- 3. Input connector
- 4. Output connector
- 5. Mounting brackets
- 6. Aluminium base

### 3. Installation

#### 3.1 Mounting the fixture

The Eminere Side can be arranged in any orientation on a flat, non-flammable surface by means of two mounting brackets (5), the LED module (2) can be tilted 120° to adjust desired beam position.



**Ensure that the structure to which you are attaching the unit is secure.**

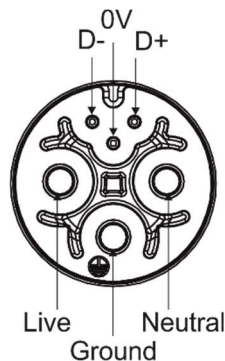
#### 3.2 Connection to mains

**The unit must be installed by a qualified electrician in accordance with all national and local electrical and construction codes and regulations.  
This device falls under class one and must be grounded!**

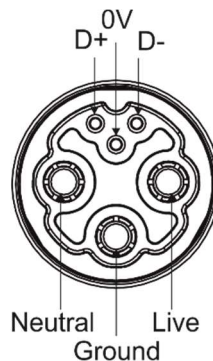
The Eminere Side is equipped with auto-switching power supply that automatically adjusts to any 50-60Hz AC power source from 120-277 Volts.

Wiring of input/output connectors:

**Input** - panel connector  
(front view)



**Output** - panel connector  
(front view)



## Eminere Side wireless DMX

Fixture's Amphenol connectors are dust and water protected according to IP 67 by mating with related Amphenol connectors.

They cannot stay disconnected outdoor.

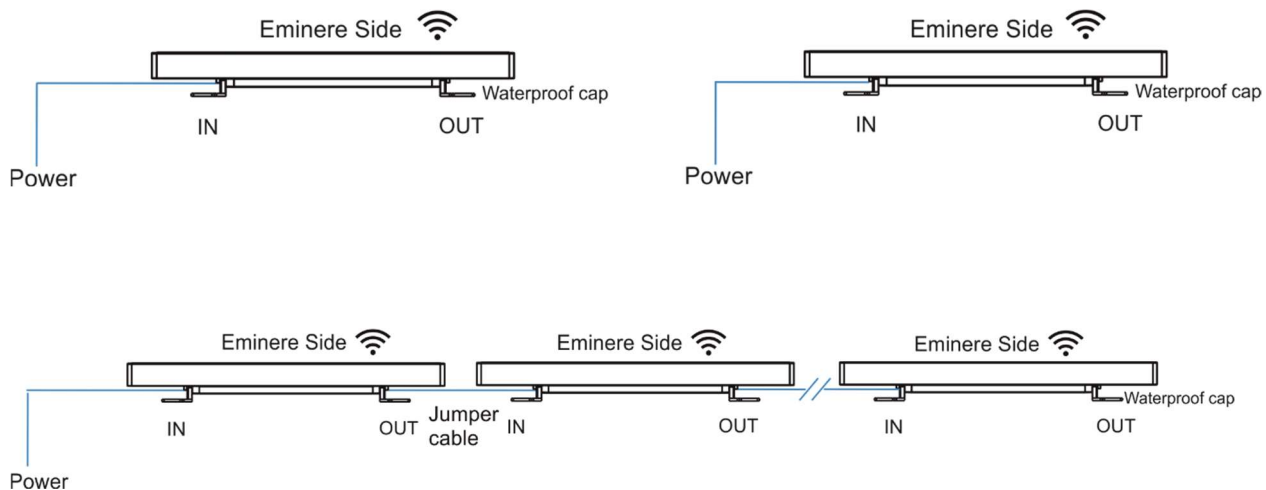
**The output panel connector at last fixture in the Eminere Sides chain has to always be covered with the water-tight cap to keep declared IP rating.**

***Do not connect (disconnect) Eminere Sides to the Booster box and each other when they are under voltage!***

Direct visibility between a transmitter and the Eminere Side Wireless DMX must be ensured without no obstacles (buildings, trees,....).

Distance between a DMX transmitter and the Eminere Side Wireless DMX depends on transmission range of used DMX transmitter, surrounds etc (we recommend to test behaviour of DMX transmitter with the Eminere Side Wireless DMX before installation).

### Examples of connection



The Eminere Side can be only linked to a transmitter by running the link procedure at DMX transmitter .

The Eminere Side can be unlinked from the transmitter by running the unlink procedure at DMX transmitter or by switching off/on the Eminere Side three times while the transmitter is switched off.

During off/on unlink procedure, the Eminere Side has to be switched on for 5 seconds in steps 1-3:

Step 1: Eminere Off, Eminere On (5s)

Step 2: Eminere Off, Eminere On (5s)

Step 3: Eminere Off, Eminere On (5s)

Step 4: Eminere Off, Eminere On

Successful unlink is signaled by flashing LEDs at fourth switching the Eminere Side Off and On. If the LEDs flashing will not appear, probably the 5 seconds period has not been kept and you have to repeat the Off/On procedure to unlink the fixture from the DMX transmitter .

**DMX addressing of connected Emineres Side has to be done manually by means of the Robe Universal Interface WTX and the software RDM Manager.**

Number of connected Emineres Side in DMX chain also depends on their cable length, power voltage and type of Emineres Side.

## Eminere Side wireless DMX

The tables below state max. theoretical number of Emineres connected in series without Booster boxes.

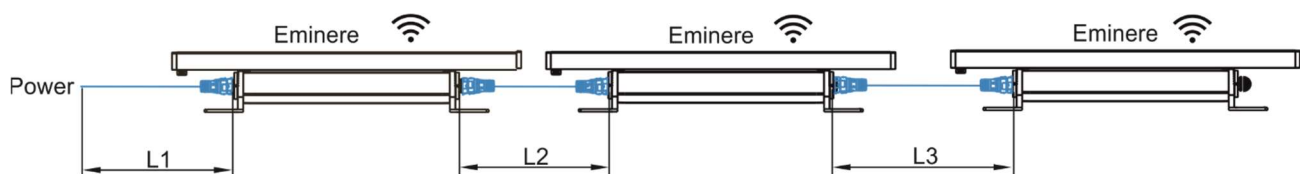
EMINERE SIDE 2 wireless DMX	Voltage			
	120V	190V	230V	277V
Cable length *				
10 m	32	32	32	32
20 m	32	32	32	32
30 m	28	32	32	32
50 m	17	32	32	32
70 m	12	31	32	32
100 m	9	21	32	32

EMINERE SIDE 3 wireless DMX	Voltage			
	120V	190V	230V	277V
Cable length *				
10 m	28	32	32	32
20 m	28	32	32	32
30 m	19	32	32	32
50 m	12	29	32	32
70 m	8	21	31	32
100 m	6	15	21	31

EMINERE SIDE 4 wireless DMX	Voltage			
	120V	190V	230V	277V
Cable length *				
10 m	21	32	32	32
20 m	21	32	32	32
30 m	15	32	32	32
50 m	9	22	32	32
70 m	6	16	23	32
100 m	4	11	16	23

\* Cable length is a total cable length among connected Emineres Side wireless DMX including power cable of the first Eminere Side wireless DMX.

Example: Total cable length=L1+L2+L3



### 3.3 The Booster box

To compensate a voltage drop in a large installation, the Booster boxes have to be connected in the chain of Emineres Side.

The following tables give numbers of Emineres Side after which the Booster box has to be installed in the chain of Emineres Side.

<b>EMINERE SIDE 2 Wireless DMX</b>	<b>Max. possible number of Emineres Side 2 Wireless DMX = 32</b>			
	<b>Voltage</b>			
<b>Cable length</b>	<b>120V</b>	<b>190V</b>	<b>230V</b>	<b>277V</b>
10 m	-	-	-	-
20 m	-	-	-	-
30 m	28	-	-	-
50 m	17	-	-	-
70 m	12,24,	31	-	-
100 m	9,18	21	31	

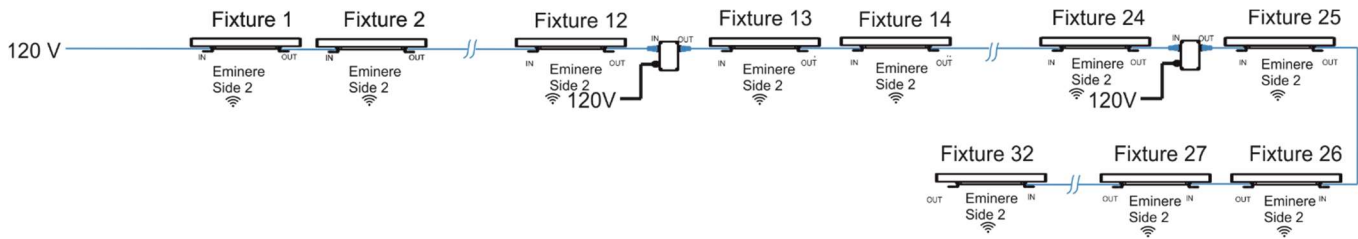
<b>EMINERE SIDE 3 Wireless DMX</b>	<b>Max. possible number of Emineres Side 3 Wireless DMX = 32</b>			
	<b>Voltage</b>			
<b>Cable length</b>	<b>120V</b>	<b>190V</b>	<b>230V</b>	<b>277V</b>
10 m	28	-	-	-
20 m	28	-	-	-
30 m	19	-	-	-
50 m	12,24	29	-	-
70 m	8,16,24	21	31.	-
100 m	6,12,18,24,30	15,30	21	31

<b>EMINERE SIDE 4 Wireless DMX</b>	<b>Max. possible number of Emineres Side 4 Wireless DMX = 32</b>			
	<b>Voltage</b>			
<b>Cable length</b>	<b>120V</b>	<b>190V</b>	<b>230V</b>	<b>277V</b>
10 m	21	-	-	-
20 m	21	-	-	-
30 m	15,30	-	-	-
50 m	9,18,27	22	-	-
70 m	6,12,18,24,30	16	23	-
100 m	4,8,12,16,20,24,28	11,22	16	23



## Eminere Side wireless DMX

Example: E-box Daisy, Power supply= 120V, Cable length=70m, fixture=Eminere Side 2 wireless DMX  
 The Booster box has to be connected after every 12th Eminere 2 wireless DMX (fixture 12 and fixture 24) from 32 fixtures.

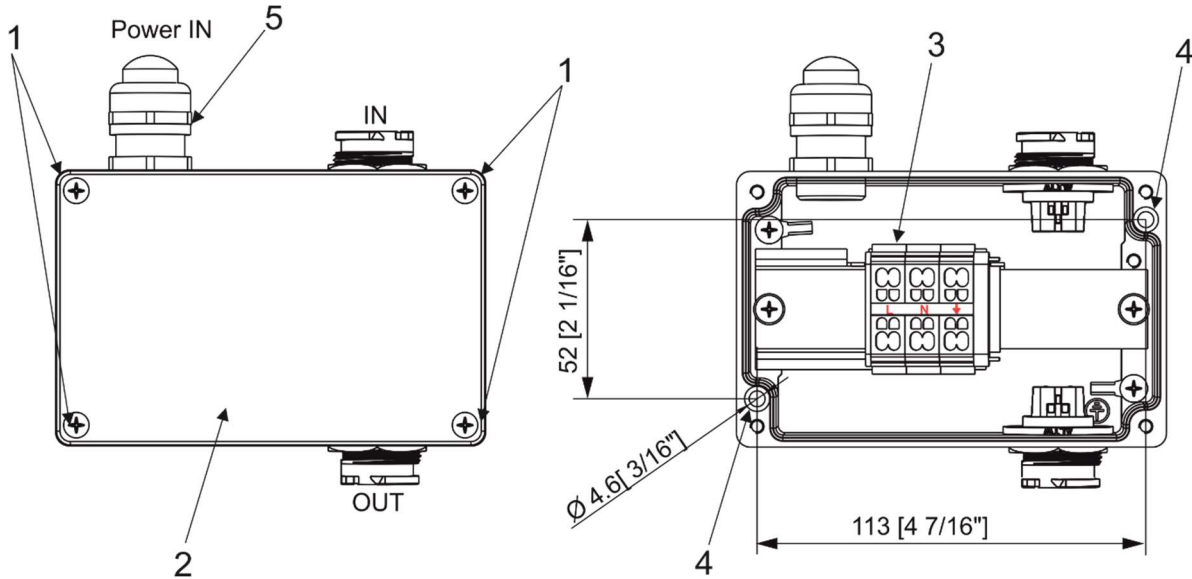


### 3.4 The Booster box installation

**ALWAYS DISCONNECT THE EMINERES SIDE FROM MAINS BEFORE CONNECTING/DISCONNECTING THE BOOSTER BOX.**

**The Booster box falls under protection class I. Therefore, every Booster box has to be connected to a mains socket outlet with a protective earthing connection.**

1. Unscrew the four screws (1) from the cover (2) on the Booster box to get access to the terminal block (3) and two mounting holes of diameter of 4.6 mm (4).
2. Screw the Booster box on a non-flammable flat surface and connect cables.



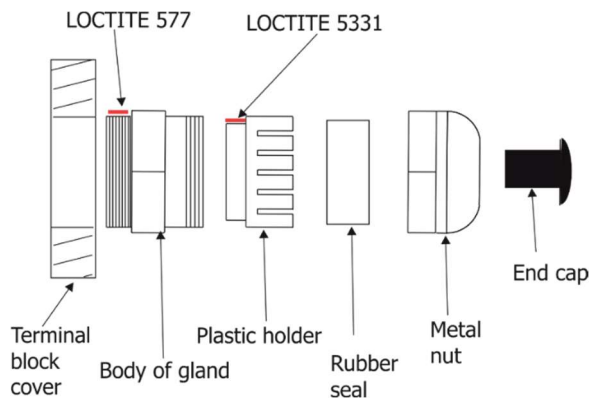
The Cable gland M20x1.5 for Power IN (5) is intended for a cable of a diameter of 7-13mm. Remove the end cap from the cable gland before passing the cable.

#### Power connection

	L	N	⏏ (earth)
Core (EU)	Braun	Blue	Green/yellow
Core (US)	Black	White	Green

We recommend to apply an adequate layer of the paste LOCTITE 5331 on the plastic holder of the cable gland before inserting it into the body of the gland and an adequate layer of the paste LOCTITE 577 on the thread of the gland body in case of unscrewing the cable gland from the housing of the buster box and repeatedly screwing it back to the housing.

## Eminere Side wireless DMX

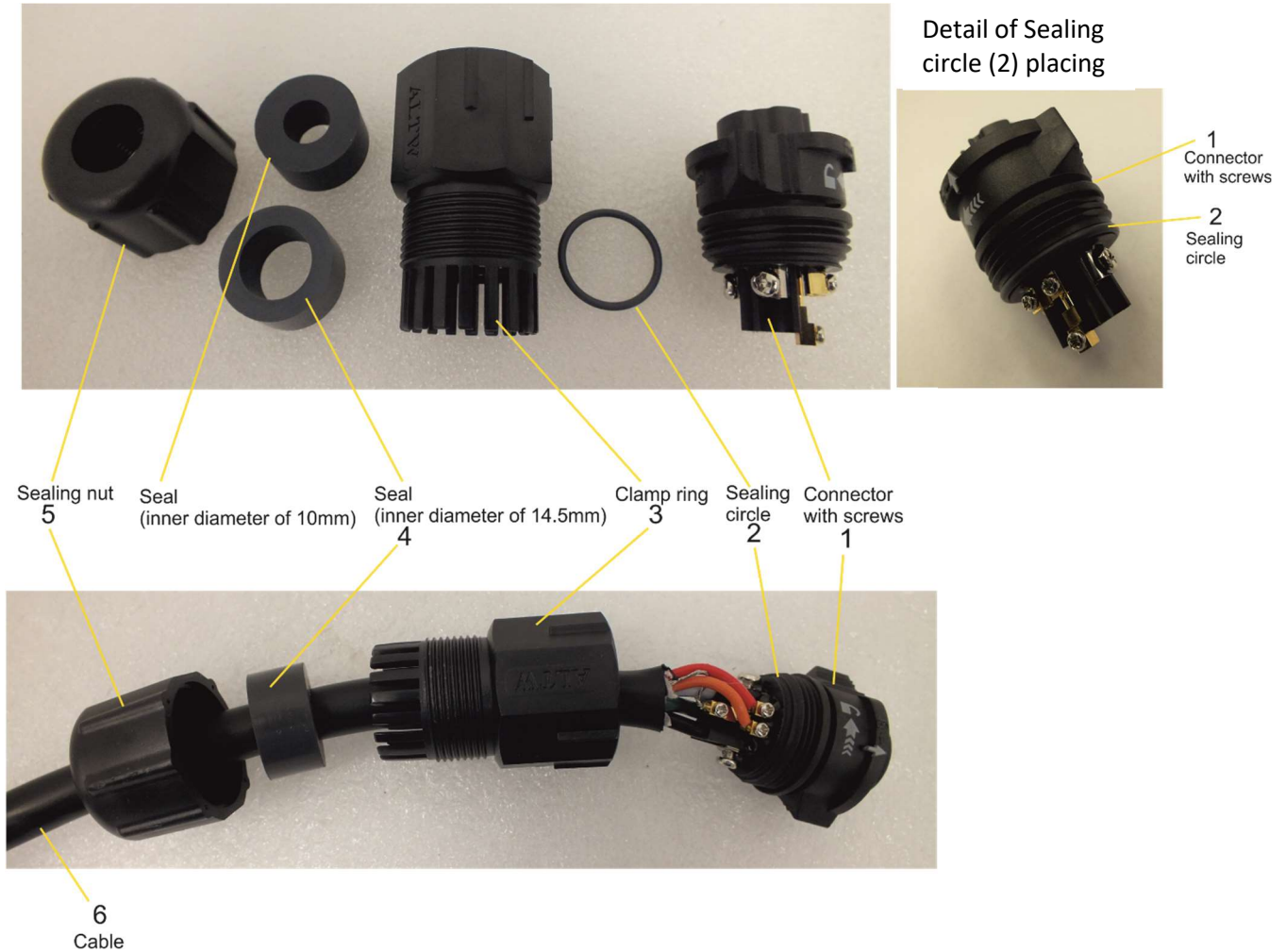


3. Screw the cover (2) back on the Booster box.

### 3.5 Jumper cable assembling

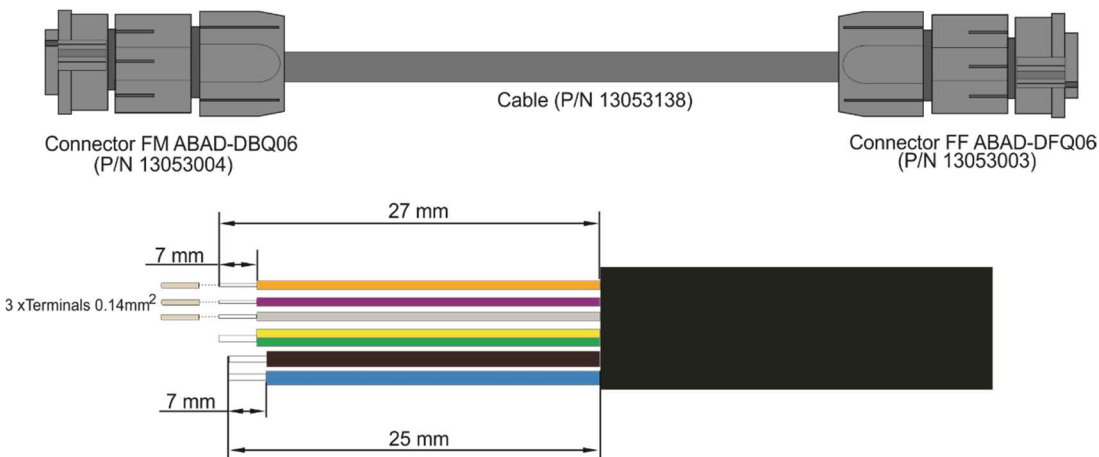
1. Dismantle the connector and slide its parts on the cable (6).  
Use the seal with inner diameter of 14.5 mm for the Anolis cable (P/N 13053138 or P/N 13053139).  
The seal with inner diameter of 14.5 mm serves for cable of diameter 10-14.5mm.  
The seal with inner diameter of 10 mm serves for cable of diameter 8-10mm.

Parts of the connector



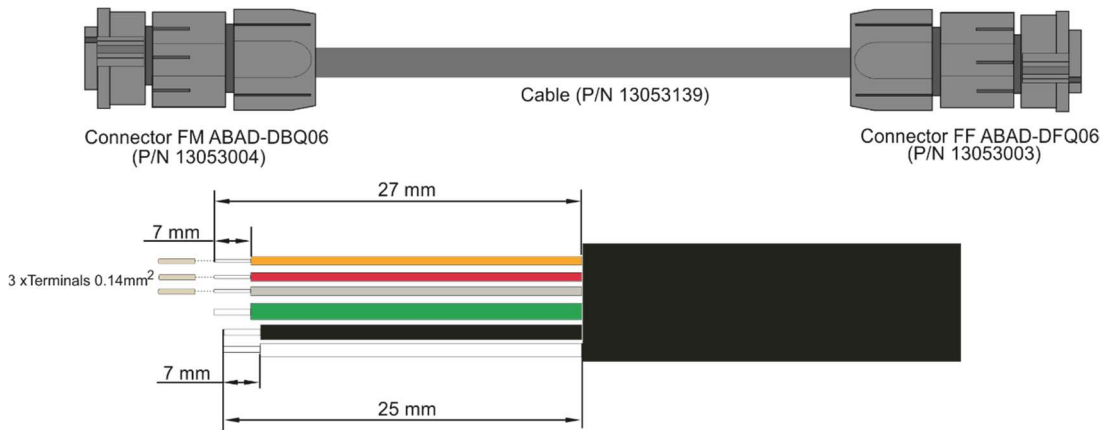
2. Put the sealing circle (2) on the connector with screws (1).
3. Remove insulation from the cable (6) and from individual wires and fasten three terminals on data wires.

CE version



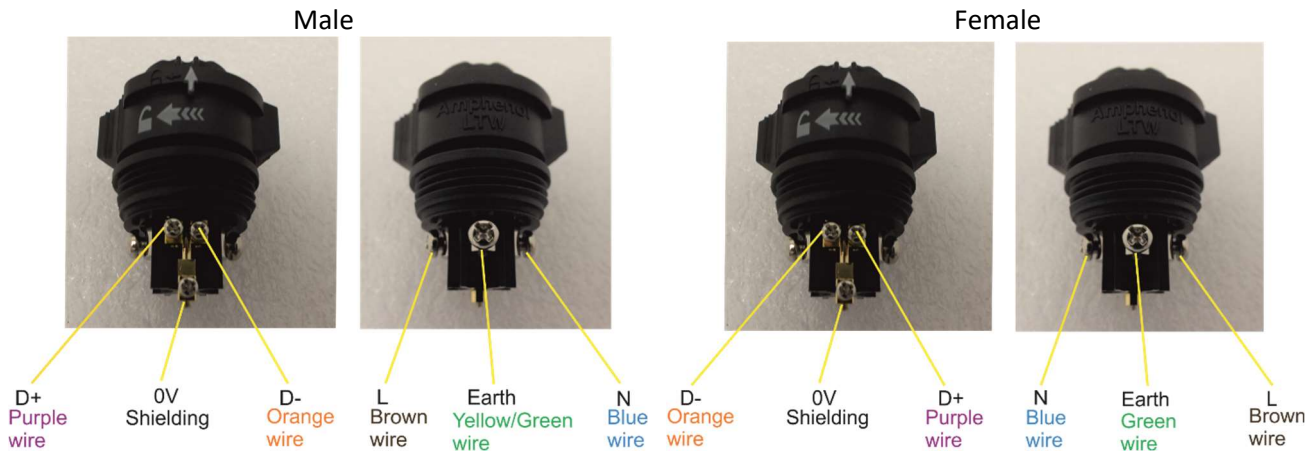
## Eminere Side wireless DMX

### US version

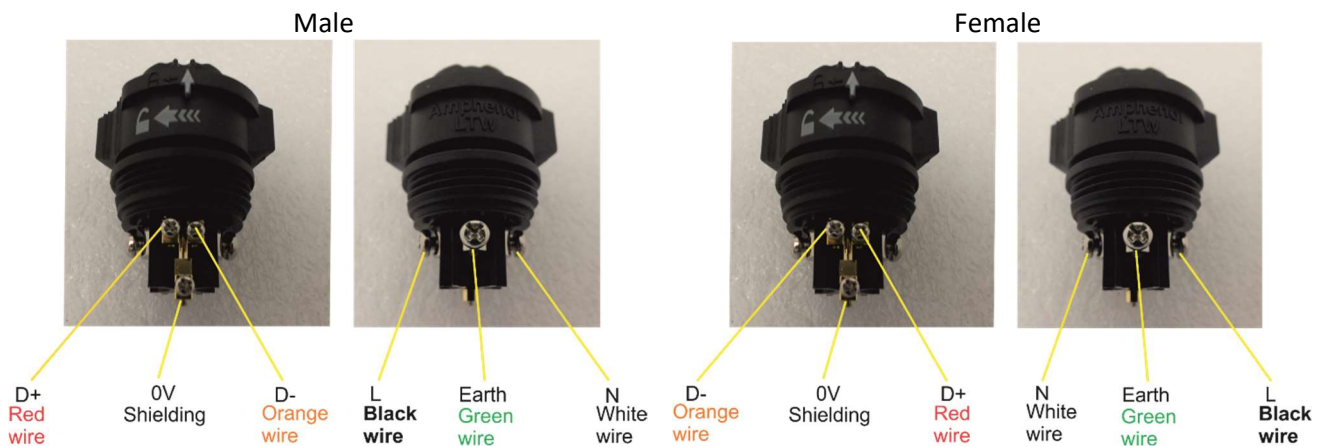


4. Put parts of the connector on the cable (6) and connect wires to the connector. First connect power wires (L,N, Earth) and after that data wires (D+, D-, 0V). Avoid excessive torsion of data wires!

### CE version



### US version



5. After connecting wires to the connector, tighten the three data wires (D+,D-, 0V) by means of the cable binder (7).



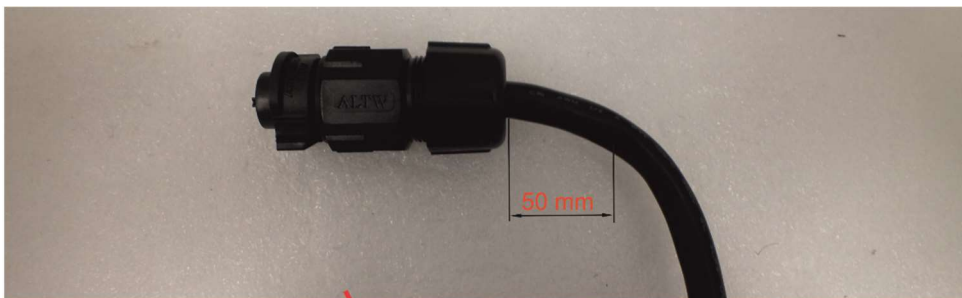
7  
Cable binder

6. Screw the clamp ring (3) to the connector (1), insert the seal (4) to the clamp ring (3) and tighten the sealing nut (5) enough. During the steps DO NOT TWIST the cable (6).

7. Use the same procedure to assemble the connector on the second end of the cable.

**IMPORTANT**

Do not bend the cable near to the connector, minimum distance for bending is 50mm.



## 4. Technical specifications

### Power supply

- Electronic auto-ranging
- Input voltage: 120 - 277V AC, 50-60 Hz
- Power consumption:
  - Eminere Side 2: 45W
  - Eminere Side 3: 65W
  - Eminere Side 4: 85W
- Inrush current:
  - Eminere Side 2: <70A/250µs
  - Eminere Side 3: <100A/200µs
  - Eminere Side 4: <100A/200µs

### Optic

- Light source:
  - Eminere Side 2: 24 x high power LEDs
  - Eminere Side 3: 36 x high power LEDs
  - Eminere Side 4: 48 x high power LEDs
- Colour variants: RGBW, RGBA, single colour
- Beam Angle:
  - Symetrical: 9°, 15°, 30°, 50°, 65°, 100°
  - Bi-symetrical: 10° x 30°, 30° x 10°, 10° x 60°, 60° x 10°, 35° x 70°, 70° x 35°, 15° x 90°, 90° x 15°
  - Wallwasher, Wide Wallwasher
- Projected Lumen Maintenance: L90B10 >90.000 hrs, Ta = 25°C / 77°F

### Protection factor

- CE: IP 67
- US: Suitable for wet location

### Impact rating

- CE: IK06

### Operating ambient temperature range

- -20°C /+40°C (-4°F /+104°F)

### Operating temperature

- +67°C @ Ambient +40°C (+153°F @ Ambient +104°F)

### Connection

- Input: panel connector Amphenol ABAB-DMQ06000021-IN (P/N13052952)
- Output: panel connector Amphenol ABAB-DAQ06000021 (P/N13052953) + water-tight cap

### Mounting method

- Via two L-shape brackets
- LED module "tilt" adjustment range: -105°/+15°

### Sizes

- Eminere Side 2 (600mm / 2ft)
- Eminere Side 3 (900mm / 3ft)
- Eminere Side 4 (1200mm / 4ft)

## Eminere Side wireless DMX

### Housing

- Aluminium extruded body with die-casted end caps
- Tempered glass

### Cooling system

- Convection

### Total heat dissipation

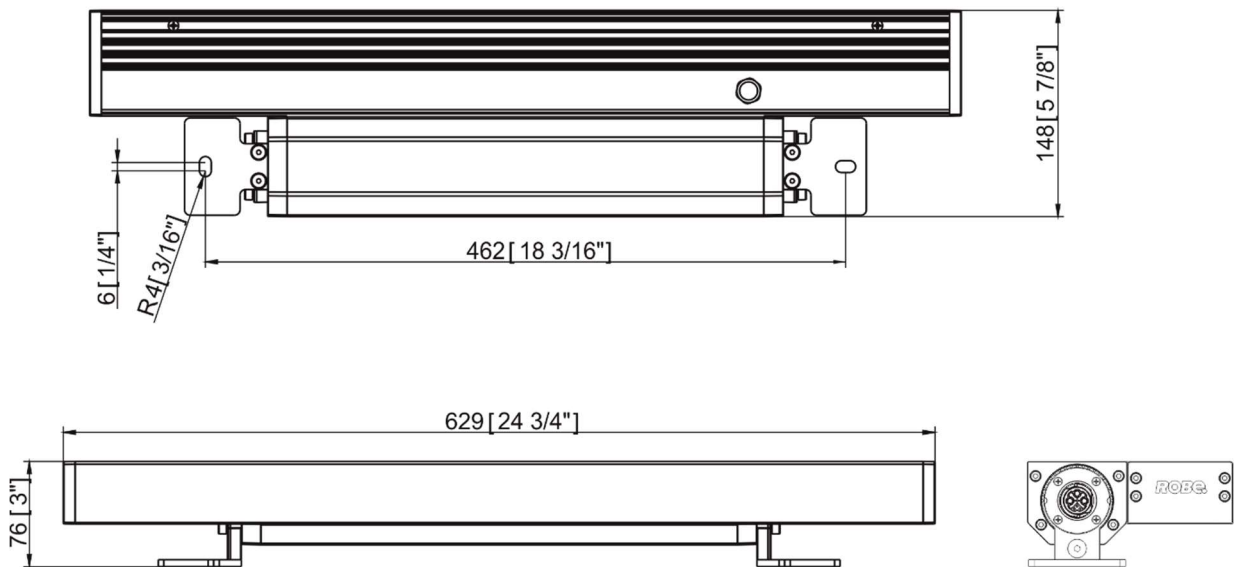
- Eminere Side 2: 130 BTU/h (calculated)
- Eminere Side 3: 177 BTU/h (calculated)
- Eminere Side 4: 228 BTU/h (calculated)

### Weight

- Eminere Side 2: 4.75 kg (10.47 lbs)
- Eminere Side 3: 7.0 kg (15.43 lbs)
- Eminere Side 4: 8.92 kg (19.67 lbs)

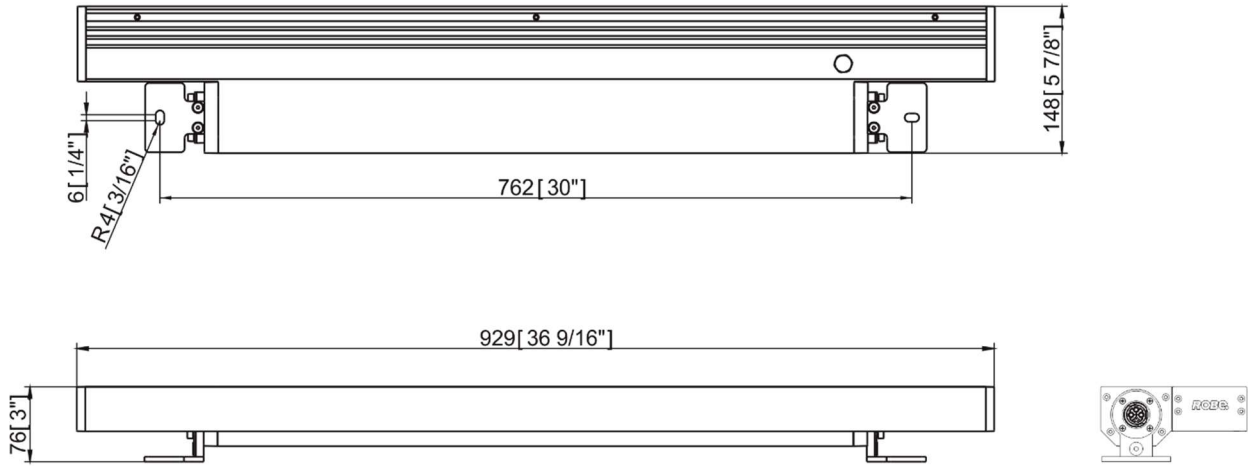
### Dimensions (All dimensions in mm [inch])

- Eminere Side 2

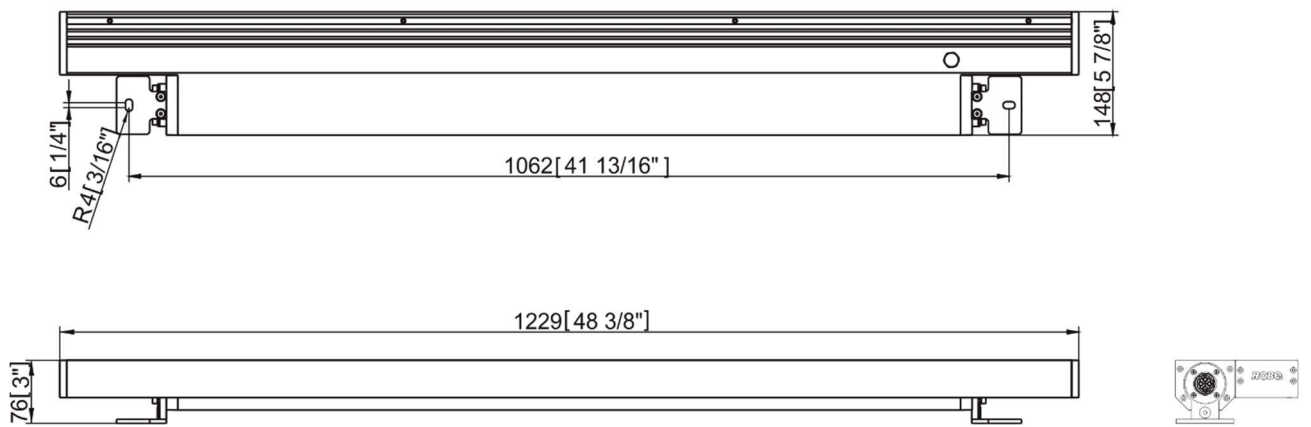


# Eminere Side wireless DMX

## • Eminere Side 3



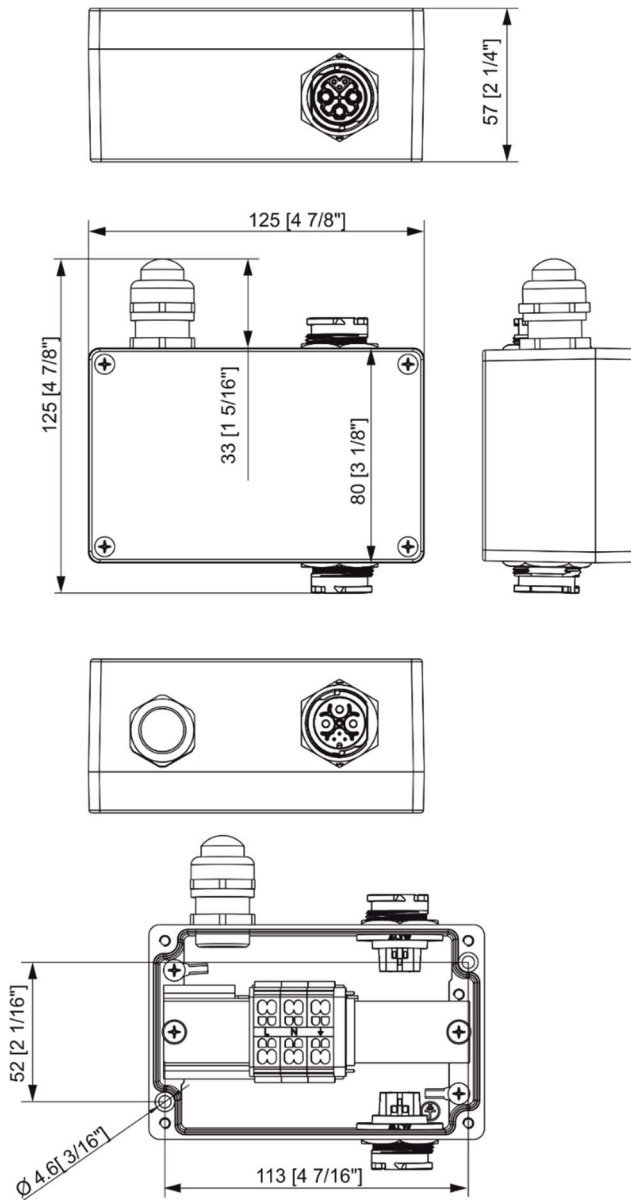
## • Eminere Side 4





## Eminere Side wireless DMX

- Booster box



### Included items

- 1 x Eminere Side
- 1 x User manual

### Optional accessories

#### Jumper Cables FF/FM:

- Jumper Cable FF/FM 0,25m (P/N 13053052)
- Jumper Cable FF/FM 0,5m (P/N 13053053)
- Jumper Cable FF/FM 1m (P/N 13053054)
- Jumper Cable FF/FM 2m (P/N 13053055)
- Jumper Cable FF/FM 3m (P/N 13053056)
- Jumper Cable FF/FM 5m (P/N 13053057)
- Jumper Cable FF/FM 10m (P/N 13053058)

Waterproof Cover Cap FM ZAHB-0006 (P/N 17031173)

Field Installable Connector FF (P/N 13053003)

Field Installable Connector FM (P/N 13053004)

Booster box (P/N 10063712)

Shield for Eminere 2 RAL9011 (P/N 10980489)

Shield for Eminere 3 RAL9011 (P/N 10980490)

Shield for Eminere 4 RAL9011 (P/N 10980491)

## 5. Cleaning and maintenance

**DANGER !**  
***Disconnect from the mains before starting any maintenance or cleaning work***

Rinse off loose dirt with low pressure water spray. Wash the housing with a soft brush or sponge and a mild, non-abrasive washing detergent. Rinse it.

Maintenance and service operations are only to be carried out by a qualified person.

Should you need any spare parts, please use ROBE OEM parts.

### 5.1 Disposing of the product

To preserve the environment please dispose or recycle this product at the end of its life according to the local regulations and codes.

## 6. ChangeLog

This section summarizes changes in the user manual.

Version of the manual	Date of issue	Description of changes
1.1	07/09/2021	Option Wireless DMX to wired DMX removed
1.2	05/10/2021	New DMX chart
1.3	18/10/2021	Technical specifications changed
1.4	26/11/2021	Optional accessories changed
1.5	20/12/2021	Jumper cable mounting added
1.6	06/01/2022	Jumper cable mounting changed
1.7	23/02/2022	Sealing circle added to jumper cable mounting
1.8	19/05/2022	QR code added
1.9	12/01/2023	DMX chart ver. 3.1
2.0	10/02/2023	DMX chart ver. 3.2

*Specifications are subject to change without notice.*

January 12, 2023

Copyright © 2019-2023 Robe Lighting - All rights reserved

Made in CZECH REPUBLIC by ROBE LIGHTING s.r.o. Palackeho 416/20 CZ 75701 Valasske Mezirici

**DMX protocol for: Eminere 1/2/3/4; Eminere Side 1/2/3/4;  
Eminere Inground 2/4; Eminere Remote 1/2/3/4;  
UVinere 2/4; UVinere Remote 1/2/4**

Version: 3.2 (23 modes in total), software version 3.0 and higher

Mode/Channels in all								Mode 1: RGBW(A)-8bit, Mode 2: RGB 8-bit, Mode 3: full RGBW(A)	
1	2	3	4	5	6	7	8-10	Mode 4: White-full control, Mode 5: Reduced RGBW(A)	
4	3	12	3	6	8	15	Reserved	Mode 6- Reduced RGBW(A)+white control	
								Mode 7- full RGBW(A)+virtual colour wheel	
								RGBW(A) / RGB modes	
Mode/channels							DMX Value	Function	Type of control
1	2	3	4	5	6	7			
-	-	-	-	-	-	1	0	<b>Special functions</b> No function	step
							1-2	Save current DMX values to fixture as initial DMX values.	step
							3-4	Show saved initial DMX values	step
							5-6	Run factory demo sequences at switching fixture on (without DMX)	step
							7-255	Reserved	
1	1	1	-	1	1	2	0-255	<b>Red</b> Red LEDs saturation control (0-100%)	proportional
-	-	2	-	-	-	3	0-255	<b>Red Fine</b> Red LEDs saturation control fine	proportional
2	2	3	-	2	2	4	0-255	<b>Green</b> Green LEDs saturation control (0-100%)	proportional
-	-	4	-	-	-	5	0-255	<b>Green Fine</b> Green LEDs saturation control fine	proportional
3	3	5	-	3	3	6	0-255	<b>Blue</b> Blue LEDs saturation control (0-100%)	proportional
-	-	6	-	-	-	7	0-255	<b>Blue Fine</b> Blue LEDs saturation control fine	proportional
4	-	7	-	4	4	8	0-255	<b>White (Amber)</b> White LEDs saturation control (0-100%)	proportional
-	-	8	-	-	-	9	0-255	<b>White (Amber) Fine</b> White LEDs saturation control fine	proportional
-	-	9	1	-	5	10	0	<b>Green correction</b> Uncorrected white	step
							1-127	Minus green --> uncorrected white	proportional
							128	Uncorrected white (128=default)	step
							129-255	Uncorrected white --> Plus green	proportional
-	-	10	2	-	6	11	0	<b>Colour temperature correction (CTC)</b> No function	step
							1-10	Tungsten dimming 2700 K	step
							11-20	Tungsten dimming 3200 K	step
							21-255	Colour temperature changing from 1800 K --> 6500 K (21-1800K, 66-2700K, 91-3200K,141-4200K, 211-5600K, 255-6500K)	proportional
-	-	-	-	-	-	12	0	<b>Virtual Colour Wheel</b> No function	step

DMX protocol

Mode/channels							DMX Value	Function	Type of control
1	2	3	4	5	6	7			
							1-2	White 1800 K	step
							3-4	White 2700 K	step
							5-6	White 3200 K	step
							7-8	White 4200 K	step
							9-10	White 5600 K	step
							11-12	White 6500 K	step
							13	Blue (Blue=full, Red+Green+White/Amber=0)	step
							14-23	Red=0, Green->up,Blue =full, White/Amber=0	proportional
							24	Cyan (Red=0, Green=full, Blue =full, White/Amber=0)	step
							25-34	Red=0, Green=full, Blue->down, White/Amber=0	proportional
							35	Green (Red=0, Green=full, Blue =0, White/Amber=0)	step
							36-45	Red->up, Green=full, Blue=0, White/Amber=0	proportional
							46	Yellow (Red=full, Green=full, Blue=0, White/Amber=0)	step
							47-56	Red=full, Green->down, Blue=0, White/Amber=0	proportional
							57	Red(Red=full, Green=0, Blue=0, White/Amber=0)	step
							58-67	Red=full, Green=0, Blue->up, White/Amber=0	proportional
							68	Magenta (Red=full, Green=0, Blue=full, White/Amber=0)	step
							69-78	Red -> down, Green=0, Blue=full, White/Amber=0	proportional
							79	Blue (Red=0, Green=0, Blue=full, White/Amber=0)	step
								<b>Transition effects</b>	
							80-87	Rainbow effect (with fade time) from slow-> fast	proportional
							88-95	Rainbow effect (without fade time) from slow-> fast	proportional
							96-103	Full dynamic white (1800K->6500K->1800K) (with fade time) from slow-> fast	proportional
							104-111	Full dynamic white (1800K->6500K->1800K) (without fade time) from slow-> fast	proportional
							112-119	Dynamic warm white (1800K-3000K-1800K) (with fade time) from slow-> fast	proportional
							120-127	Dynamic warm white (1800K-3000K-1800K) (without fade time) from slow-> fast	proportional
							128-135	Rainbow effect + full dynamic white (with fade time) from slow-> fast	proportional
							136-143	Rainbow effect + full dynamic white (without fade time) from slow-> fast	proportional
							145-151	Blue/Green effect (with fade time) from slow-> fast	proportional
							152-159	Blue/Green effect (without fade time) from slow-> fast	proportional
							160-167	Red/Blue effect (with fade time) from slow-> fast	proportional
							168-175	Red/Blue effect (without fade time) from slow-> fast	proportional
							176-183	Green/Red effect (with fade time) from slow-> fast	proportional
							184-191	Green/Red effect (without fade time) from slow-> fast	proportional
							192-199	Blue/4000K effect (with fade time) from slow-> fast	proportional
							200-207	Blue/4000K effect (without fade time) from slow-> fast	proportional
							208-215	Green/4000K effect (with fade time) from slow-> fast	proportional
							216-223	Green/4000K effect (without fade time) from slow-> fast	proportional
							224-231	Red/4000K effect (with fade time) from slow-> fast	proportional
							232-239	Red/4000K effect (without fade time) from slow-> fast	proportional
							240-255	Reserved	
						<b>13</b>		<b>Shutter/Strobe</b>	
							0-31	Shutter closed	step
							32-63	Shutter open	step

DMX protocol

Mode/channels							DMX Value	Function	Type of control
1	2	3	4	5	6	7			
							64-95	Strobe-effect from slow to fast	proportional
							96-127	Shutter open	step
							128-143	Opening pulse in sequences from slow to fast	proportional
							144-159	Closing pulse in sequences from fast to slow	proportional
							160-191	Shutter open	step
							192-223	Random strobe-effect from slow to fast	proportional
							224-255	Shutter open	step
-	-	11	3	5	7	14		<b>Dimmer</b>	
							0-255	Light intensity coarse (0-100%)	proportional
-	-	12	-	6	8	15		<b>Dimmer Fine</b>	
							0-255	Light intensity fine	proportional
Copyright © 2022-2023 Robe Lighting s.r.o. - All rights reserved									
All Specifications subject to change without notice									

**DMX protocol for: Eminere 1/2/3/4; Eminere Side 1/2/3/4;  
Eminere Inground 2/4; Eminere Remote 1/2/3/4;  
UVinere 2/4; UVinere Remote 1/2/4**

Version: 3.2 (23 modes in total)

Mode/Channels in all				Mode 11: TW – White selection + Dimmer, Mode 12: TW – WW + CW	
11	12	13	14-16	Mode 13: PW - Dimmer	
3	4	2	Reserved	<i>Mode 13 is suitable for UVinere and UVinere Remote</i>	
<b>TW and PW modes</b>					
Mode/channels			DMX Value	Function	Type of control
11	12	13			
1	-	-	0 - 255	<b>White colour selection</b> White from 2700 K - 6500 K	proportional
-	1	-	0 - 255	<b>Warm White</b> Warm White LEDs saturation control (0-100%)	proportional
-	2	-	0 - 255	<b>Cool White</b> Cool White LEDs saturation control (0-100%)	proportional
2	3	1	0 - 255	<b>Dimmer</b> Light intensity coarse (0 - 100%)	proportional
3	4	2	0 - 255	<b>Dimmer Fine</b> Light intensity fine	proportional
Copyright © 2022-2023 Robe Lighting s.r.o. - All rights reserved					
All Specifications subject to change without notice					

**DMX protocol for: Eminere 1/2/3/4; Eminere Side 1/2/3/4;  
Eminere Inground 2/4; Eminere Remote 1/2/3/4;**

Version: 3.2 (23 modes in total)

Mode/Channels in all					Mode 16: RGBW(A) pixels, Mode 17 RGB pixels, Mode 18: TW pixels, Mode 19- PW dimmer pixels		
17	18	19	20	21-23			
16	12	8	8	Reserved			
Mode/channels					DMX Value	Function	Type of control
17	18	19	20				
1	1	-	-	0 - 255	<b>Red 1 -Eminere 1/2/3/4</b> Red LEDs saturation control (0-100%)	proportional	
2	2	-	-	0 - 255	<b>Green 1-Eminere 1/2/3/4</b> Green LEDs saturation control (0-100%)	proportional	
3	3	-	-	0 - 255	<b>Blue 1-Eminere 1/2/3/4</b> Blue LEDs saturation control (0-100%)	proportional	
4	-	-	-	0 - 255	<b>White (Amber) 1-Eminere 1/2/3/4</b> White LEDs saturation control (0-100%)	proportional	
5	4	-	-	0 - 255	<b>Red 2 -Eminere 2/3/4</b> Red LEDs saturation control (0-100%)	proportional	
6	5	-	-	0 - 255	<b>Green 2-Eminere 2/3/4</b> Green LEDs saturation control (0-100%)	proportional	
7	6	-	-	0 - 255	<b>Blue 2-Eminere 2/3/4</b> Red LEDs saturation control (0-100%)	proportional	
8	-	-	-	0 - 255	<b>White (Amber) 2-Eminere 2/3/4</b> White LEDs saturation control (0-100%)	proportional	
9	7	-	-	0 - 255	<b>Red 3-Eminere 3/4</b> Red LEDs saturation control (0-100%)	proportional	
10	8	-	-	0 - 255	<b>Green 3-Eminere 3/4</b> Green LEDs saturation control (0-100%)	proportional	
11	9	-	-	0 - 255	<b>Blue 3-Eminere 3/4</b> Blue LEDs saturation control (0-100%)	proportional	
12	-	-	-	0 - 255	<b>White (Amber) 3-Eminere 3/4</b> White LEDs saturation control (0-100%)	proportional	
13	10	-	-	0 - 255	<b>Red 4-Eminere 4</b> Red LEDs saturation control (0-100%)	proportional	
14	11	-	-	0 - 255	<b>Green 4-Eminere 4</b> Green LEDs saturation control (0-100%)	proportional	
15	12	-	-	0 - 255	<b>Blue 4-Eminere 4</b> Blue LEDs saturation control (0-100%)	proportional	
16	-	-	-	0 - 255	<b>White (Amber) 4 -Eminere 4</b> White LEDs saturation control (0-100%)	proportional	
-	-	1	-		<b>Warm White 1 -Eminere 1/2/3/4</b> Warm White LEDs saturation control (0-100%)	proportional	
-	-	2	-	0 - 255	<b>Cool White 1-Eminere 1/2/3/4</b> Cool White LEDs saturation control (0-100%)	proportional	
-	-	3	-		<b>Warm White 2-Eminere 2/3/4</b>		

## DMX protocol

Mode/channels				DMX Value	Function	Type of control
17	18	19	20			
				0 - 255	Warm White LEDs saturation control (0-100%)	proportional
-	-	4	-	0 - 255	<b>Cool White 2-Eminere 2/3/4</b> Cool White LEDs saturation control (0-100%)	proportional
-	-	5	-	0 - 255	<b>Warm White 3-Eminere 3/4</b> Warm White LEDs saturation control (0-100%)	proportional
-	-	6	-	0 - 255	<b>Cool White 3-Eminere 3/4</b> Cool White LEDs saturation control (0-100%)	proportional
-	-	7	-	0 - 255	<b>Warm White 4 -Eminere 4</b> Warm White LEDs saturation control (0-100%)	proportional
-	-	8	-	0 - 255	<b>Cool White 4 -Eminere 4</b> Cool White LEDs saturation control (0-100%)	proportional
-	-	-	1	0 - 255	<b>Dimmer 1</b> Light intensity coarse (0 - 100%)	proportional
-	-	-	2	0 - 255	<b>Dimmer Fine 1</b> Light intensity fine	proportional
-	-	-	3	0 - 255	<b>Dimmer 2</b> Light intensity coarse (0 - 100%)	proportional
-	-	-	4	0 - 255	<b>Dimmer Fine 2</b> Light intensity fine	proportional
-	-	-	5	0 - 255	<b>Dimmer 3</b> Light intensity coarse (0 - 100%)	proportional
-	-	-	6	0 - 255	<b>Dimmer Fine 3</b> Light intensity fine	proportional
-	-	-	7	0 - 255	<b>Dimmer 4</b> Light intensity coarse (0 - 100%)	proportional
-	-	-	8	0 - 255	<b>Dimmer Fine 4</b> Light intensity fine	proportional
Copyright © 2022-2023 Robe Lighting s.r.o. - All rights reserved						
All Specifications subject to change without notice						