

QR code for Installations Instructions

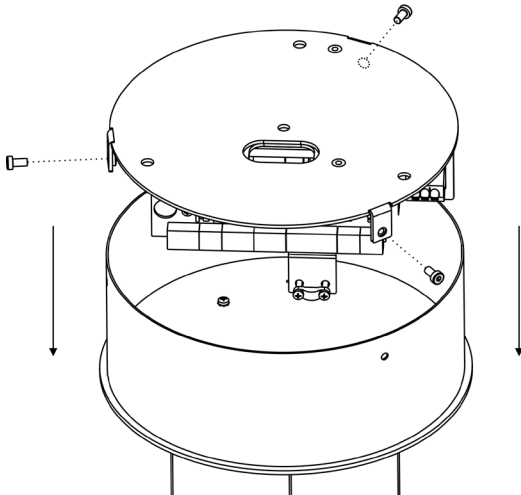


The unit must be installed by a qualified electrician in accordance with all national and local electrical and construction codes and regulations. This device falls under class I and must be grounded!



**STEP 1  
DISASSEMBLING OF SUPPLY UNIT**

3X  M4x8

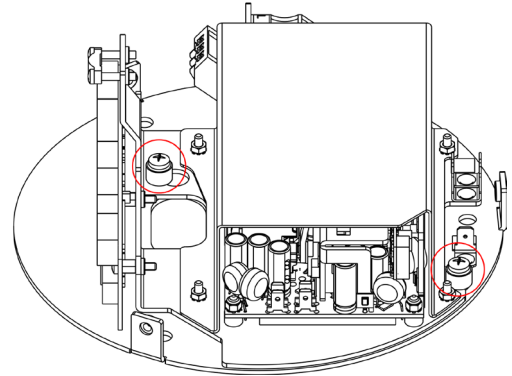


Unscrew three screws on sides of the supply unit and remove the cover.

**STEP 2  
POWER SUPPLY UNIT REMOVAL**

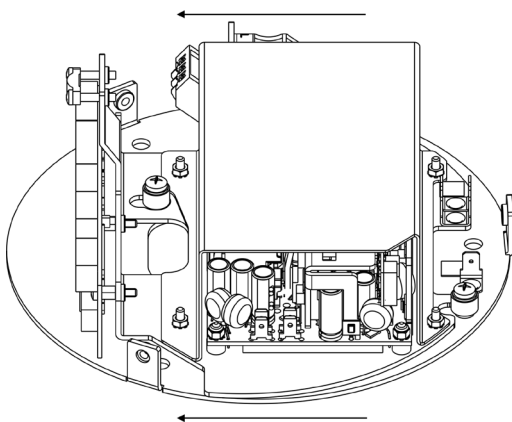
1

2X  M4x10



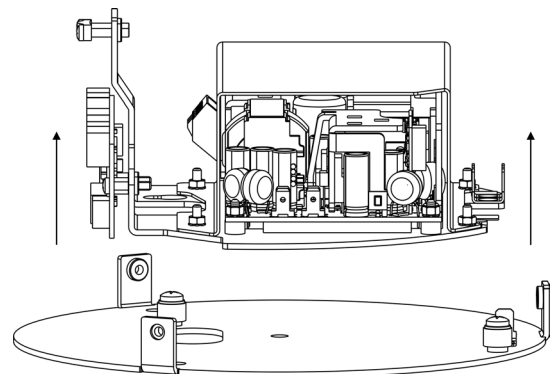
Unscrew the highlighted screws by two full turns to loosen them, but don't remove them entirely.

2



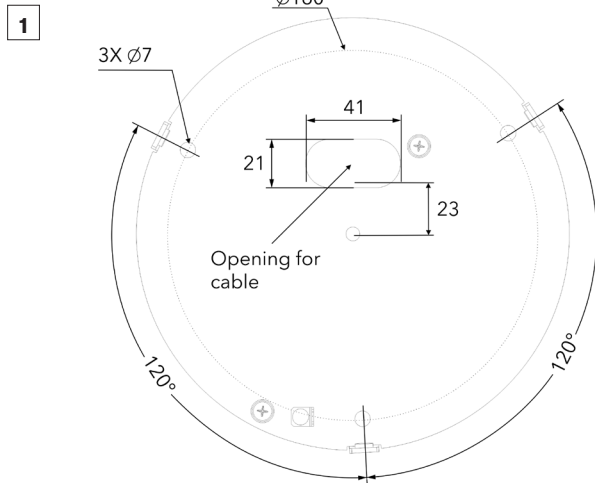
Slide the power supply sideways to a position, where two loosened screws don't block the power supply.

3



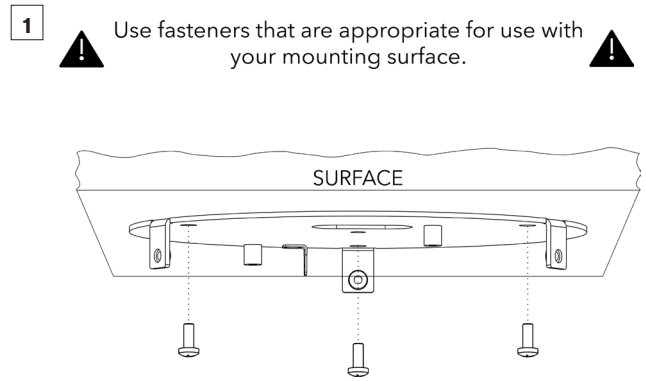
Unscrew the highlighted screws by two full turns to loosen them, but don't remove them entirely.

**STEP 3  
 PREPARATION OF MOUNTING HOLES INTO CEILING**



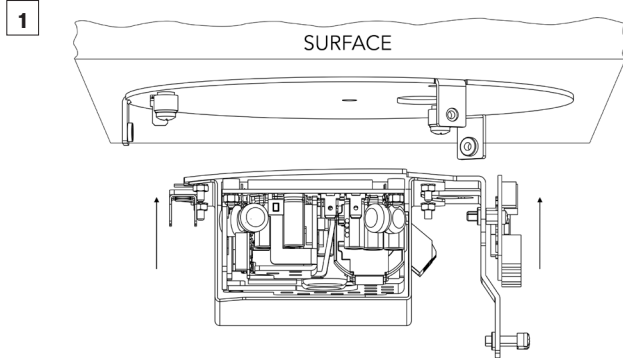
Prepare three holes for base plate mounting and one for power/data cable into the ceiling.

**STEP 4  
 MOUNTING OF BASE PLATE**

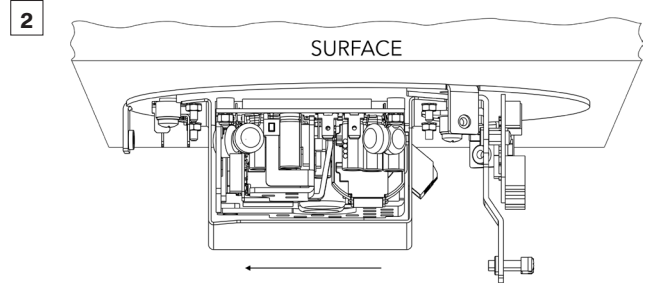


Fasten the Base Plate by means of three screws into prepared holes.

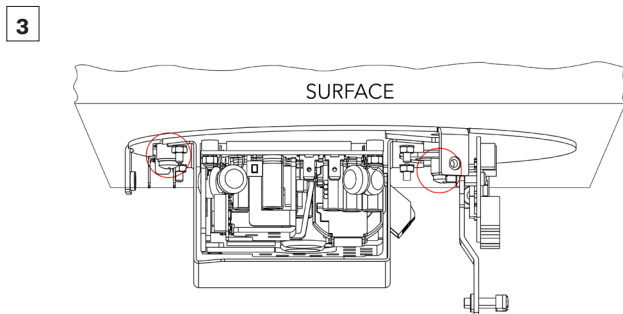
**STEP 5  
 MOUNTING POWER SUPPLY ON THE BASE PLATE**



Put the Power Supply back onto the Base Plate.

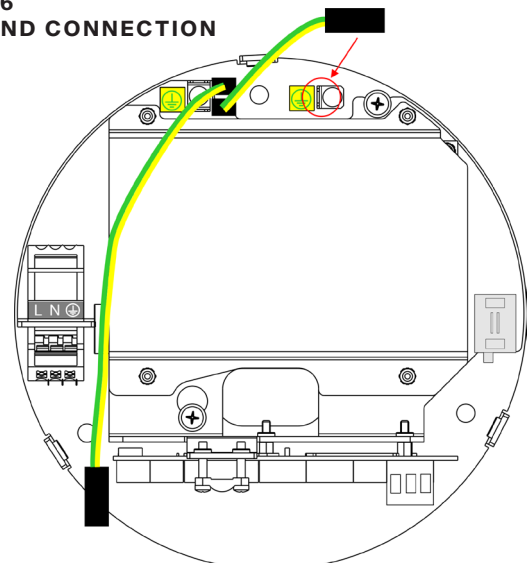


Slide the Power Supply to its initial position.



Fasten the Power Supply to the base plate by tightening two highlighted screws.

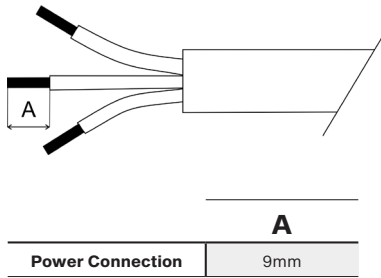
**STEP 6  
 GROUND CONNECTION**



Connect shorter grounding wire to the grounding point on the Base Plate.

**STEP 7  
 PRIMARY POWER CABLE CONNECTION**

1



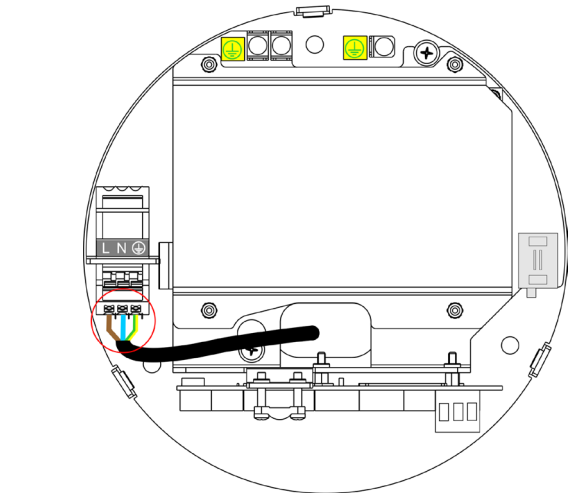
Strip 9 mm of power cable's wires.

2

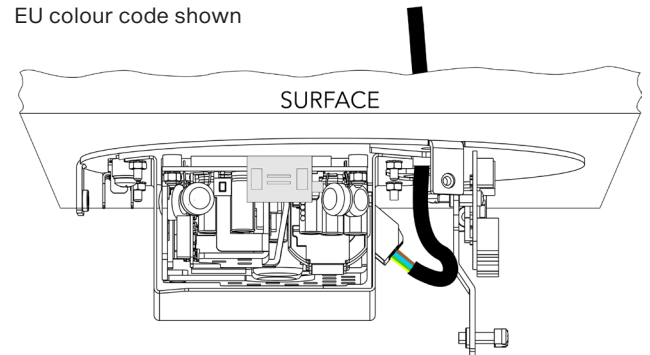
Pull the power cable through prepared hole and connect it to the terminal block on the power Supply.

Power Connection - Power IN

	L	N	GROUND
Core (EU)	Brown	Blue	Green/Yellow
Core (US)	Black	White	Green

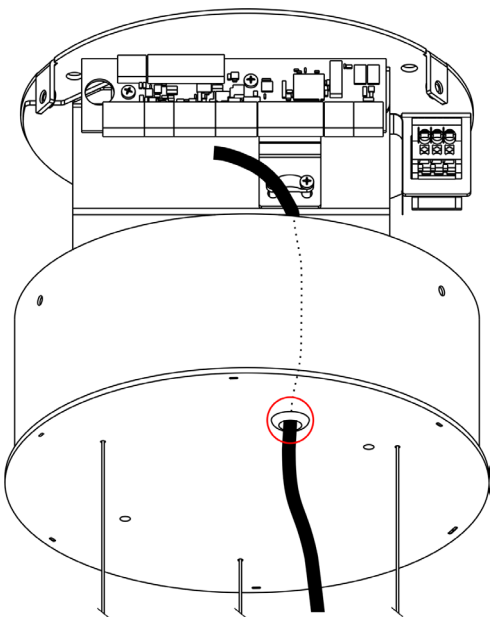


EU colour code shown



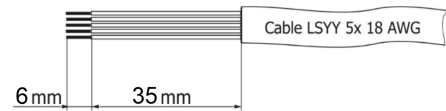
**STEP 8  
 LED UNIT CABLE CONNECTION**

1



Shorten the LED unit's cable to necessary length and insert it via rubber grommet in the Base Cover.

2

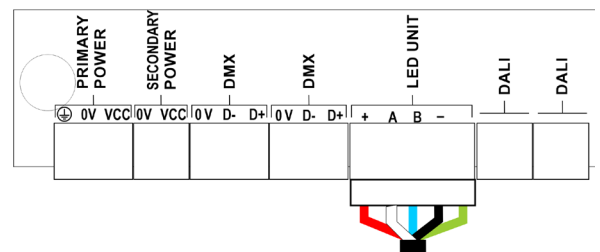


Strip these lengths for cable connections.

LED Unit Connection

TERMINAL BLOCK	+	A	B	-	GROUND
Colour of Wire	Red	White	Blue	Black	Green/Yellow

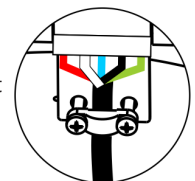
3



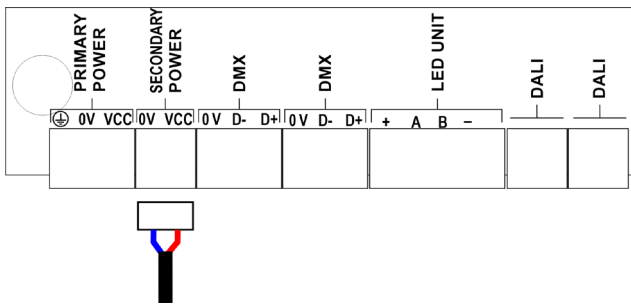
Install terminal block on LED unit's cable and connect it to the Control Unit (Supply Unit).

4

Secure the cable to the Supply Unit by clamp and two screws.

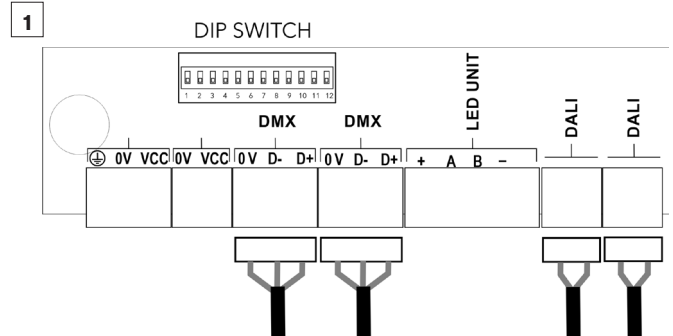


**STEP 9**  
**SECONDARY POWER CABLE CONNECTION 48V**  
**(PSU SCOPE OF OTHERS)**

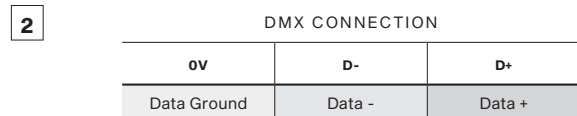


Install terminal blocks on cable and connect it to the control unit.

**STEP 10**  
**DATA CABLES CONNECTION (DMX OR DALI)**

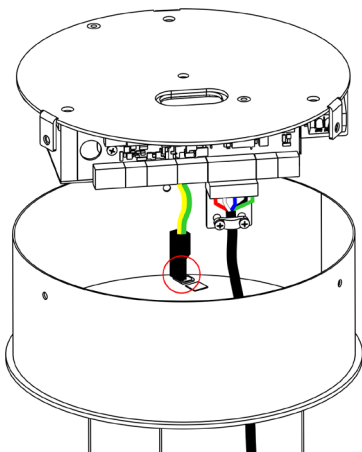


Install terminal blocks on DMX or DALI data cables and connect them to the control unit.



Set the DIP switches to positions according to your operation mode. The fixture can be controlled by DMX or DALI (switch 11 in OFF position).

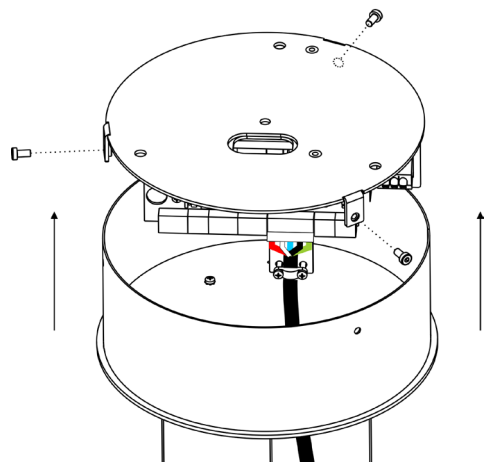
**STEP 11**  
**GROUNDING WIRE CONNECTION TO BASE COVER**



Connect the remaining grounding wire to the grounding point on the Base Cover.

**STEP 12**  
**MOUNTING OF BASE COVER**

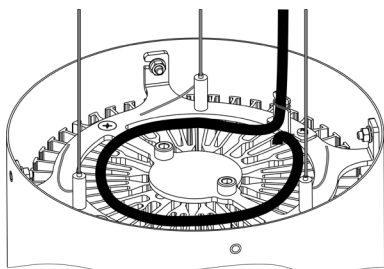
3X M4x8



Place the base cover on the base plate and fasten it by means of three screws M4x8.

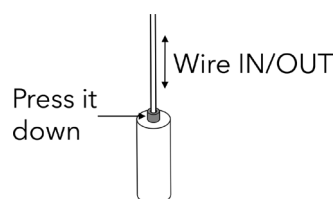
**STEP 13**  
**ADJUSTING THE HANGING WIRE LENGTH**

**1**



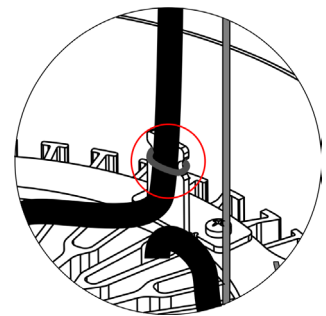
Store redundant cable as instructed on the picture above. Maximum of one full loop to prevent overheating.

**2**



Press down pins on the hanging wires anchors for length adjustment.

**2**



Fasten the LED unit's cable to holder using a cable binder.