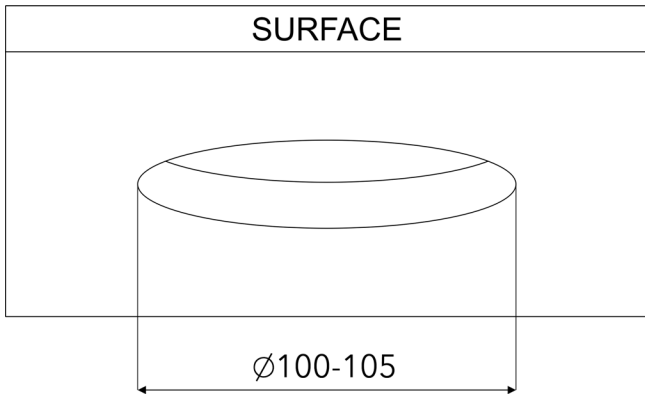


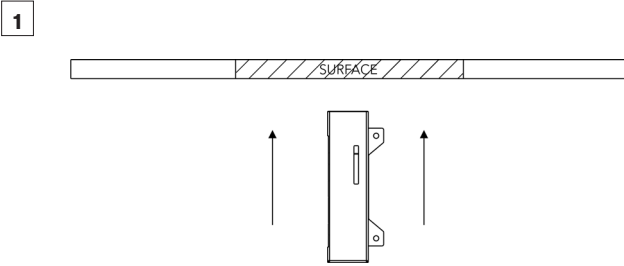
QR code for Installations Instructions

**STEP 1
 CEILING OPENING**

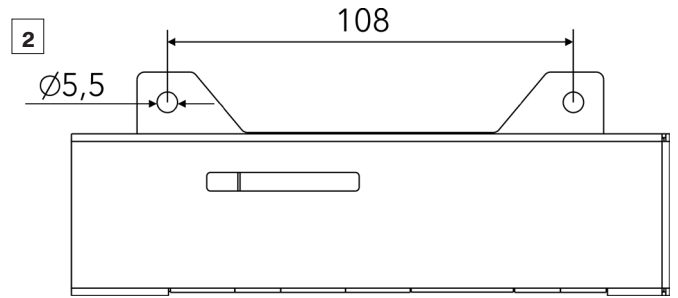


Standard mounting hole with diameter of 100-105mm.

**STEP 2
 MOUNTING OF CONTROL UNIT**

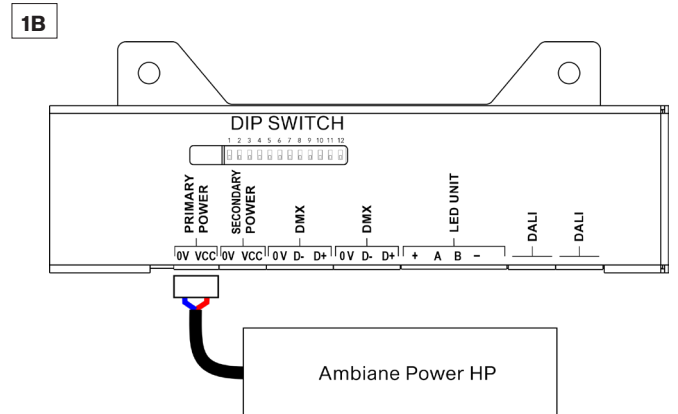
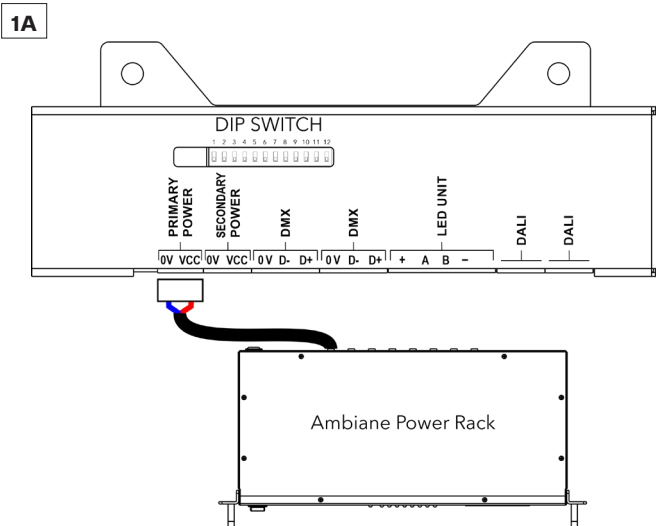


Place control unit above the ceiling through the ceiling opening.



Mount the control unit to ceiling via two mounting holes and suitable fasteners.

**STEP 3
 PRIMARY POWER CONNECTION**



Install terminal block to power cable (from Ambiance Power Rack or Ambiance Power HP) and connect it to Primary power socket of the control unit.

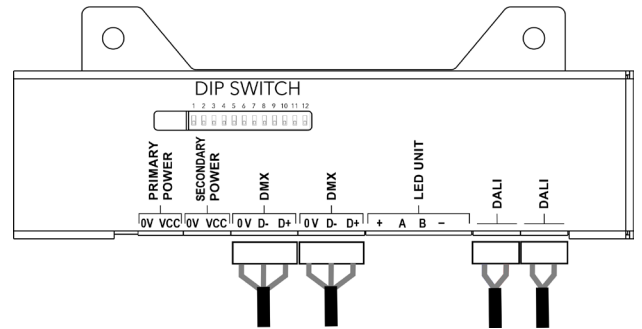
**STEP 4
 DATA CABLES CONNECTION (DMX OR DALI)**

DMX CONNECTION

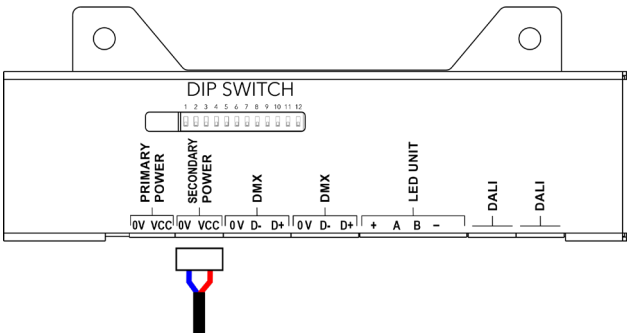
0V	D-	D+
Data Ground	Data -	Data +

Install terminal blocks on DMX or DALI data cables and connect them to the control unit.

Set the DIP switches to positions according to your operation mode. The fixture can be controlled by DMX or DALI (switch 11 in OFF position).



**STEP 5
 SECONDARY POWER CABLE CONNECTION 48V
 (PSU SCOPE OF OTHERS)**



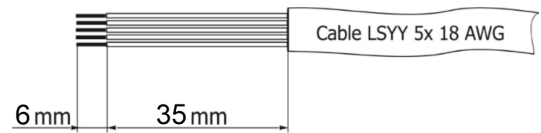
Install terminal block on Secondary power cable and connect it to Secondary power socket of the control unit.

**STEP 6
 LED UNIT CONNECTION**

1

Shorten power/data cable of LED unit to required length.

2

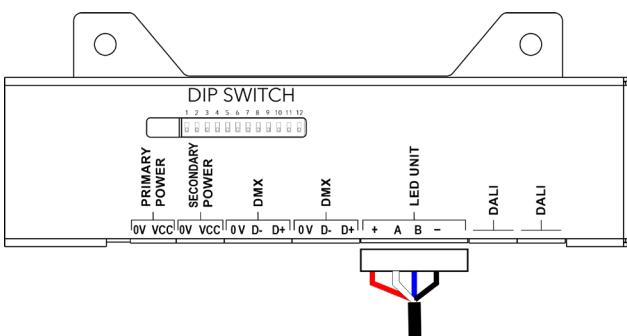


Strip these lengths of LED unit's cable for wiring connection.

LED Unit Connection

TERMINAL BLOCK	+	A	B	-
Colour of Wire	Red	White	Blue	Black

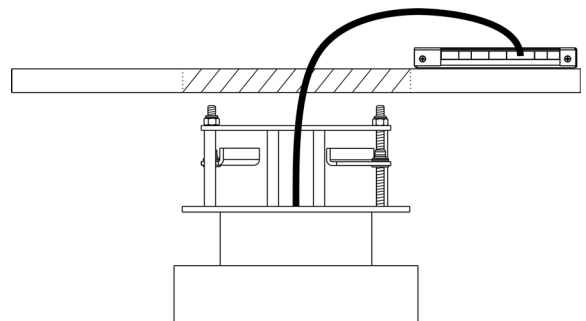
3



Install terminal block on LED unit's cable and connect it to the control unit.

4

⚠ Connected luminaire before installation. ⚠

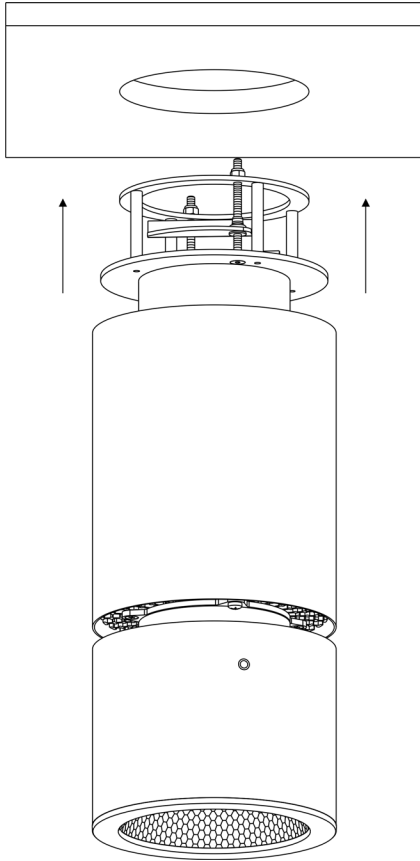


LED unit connected to control unit prior to mounting.

**STEP 7
MOUNTING OF LUMINAIRE**

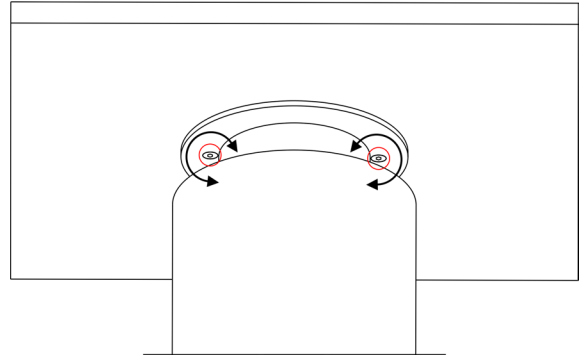
1

⚠ Max. possible thickness of a ceiling material is 20 mm. ⚠

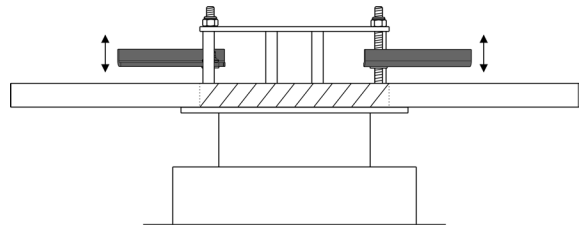


Insert the fixture into the ceiling mounting hole.

2

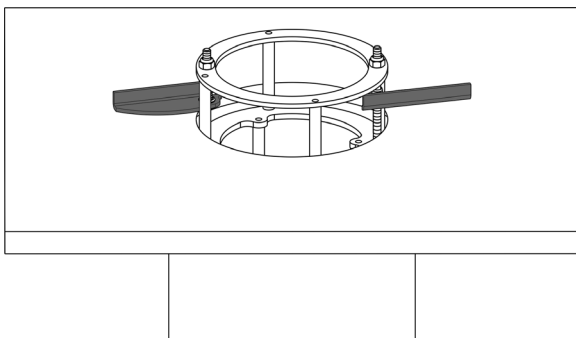


Spread the holders and tighten them up with Allen key as illustrated.

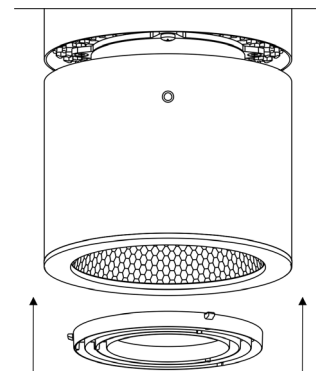


3

**STEP 8
INSTALLATION OF ACCESSORIES
RING LOUVER FOR 20° REFLECTOR**



Tighten the holders on both sides until the fixture is firmly secured to the ceiling.



Insert the Ring Louver into the Top frame.