

QR code for Installations Instructions



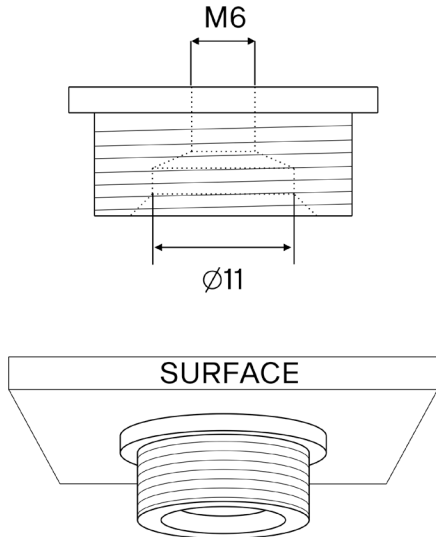
The unit must be installed by a qualified electrician in accordance with all national and local electrical and construction codes and regulations.



STEP 1
MOUNTING TO LOWER CEILING

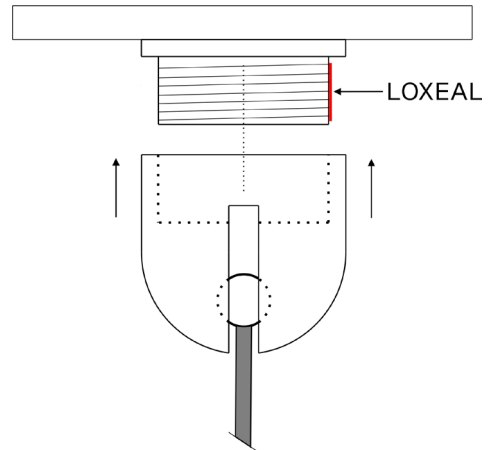
1

Use fasteners that are appropriate for use with your mounting surface.



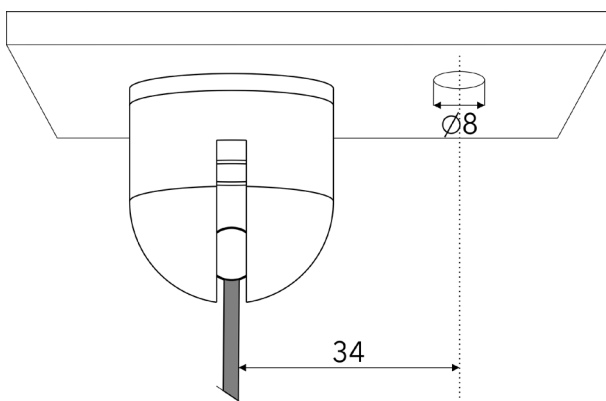
Fasten the Ceiling Plate M6i to the lower ceiling with suitable fastener.

2



Screw the Spherical Cap (with the Hanging Wire) to the Ceiling Plate. Use of thread glue LOXEAL 5503 is recommended.

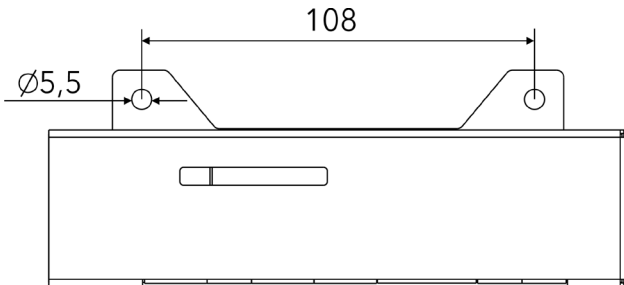
3



Drill the hole Ø8mm in the lower ceiling for the LED unit supply cable. If you wish to have the LED unit supply cable parallel with the hanging wire, the distance between the hanging wire and the LED unit supply cable should be 60mm.

STEP 2 CONTROL UNIT INSTALLATION

Use fasteners that are appropriate for use with your mounting surface.



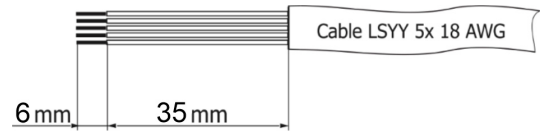
Fasten the control unit on the ceiling by means of two holes in the control unit's housing.

STEP 3 LED UNIT SUPPLY CABLE CONNECTION

1

Shorten power/data cable of LED unit to required length.

2

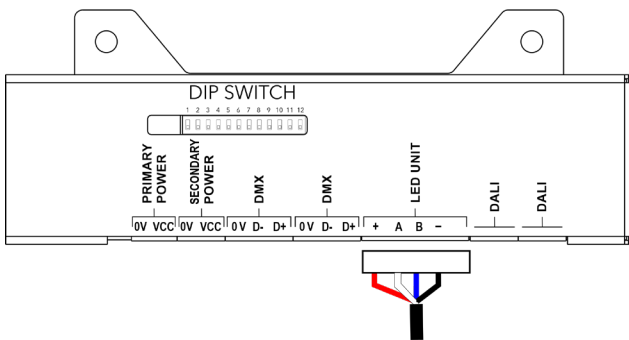


Strip these lengths of LED unit's cable for wiring connection.

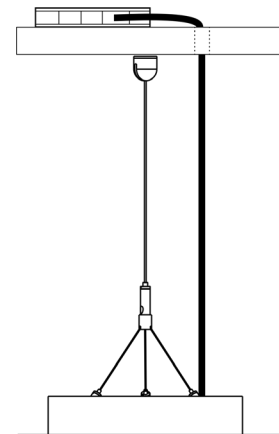
LED Unit Connection

TERMINAL BLOCK	+	A	B	-
Colour of Wire	Red	White	Blue	Black

3

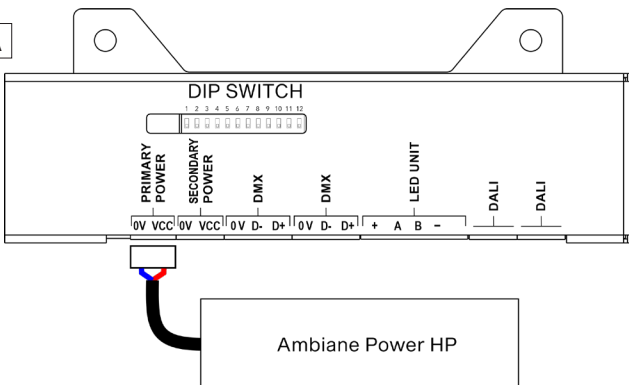


Pull the LED unit's cable through prepared hole in the ceiling and secure it above ceiling. Install a terminal block on the cable and connect it to the control unit.

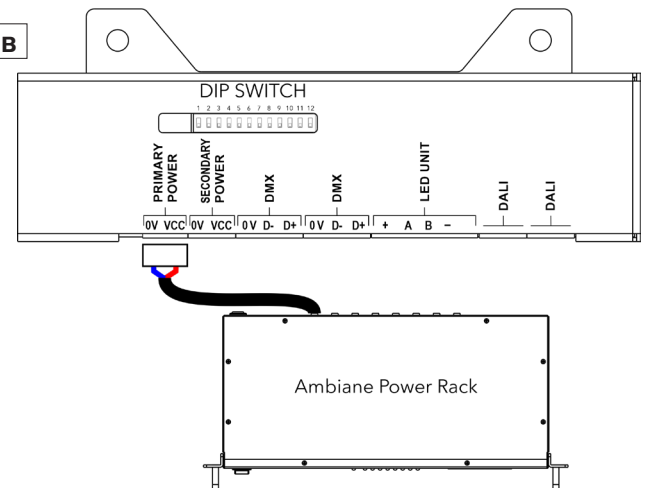


STEP 4 PRIMARY POWER CONNECTION

1A

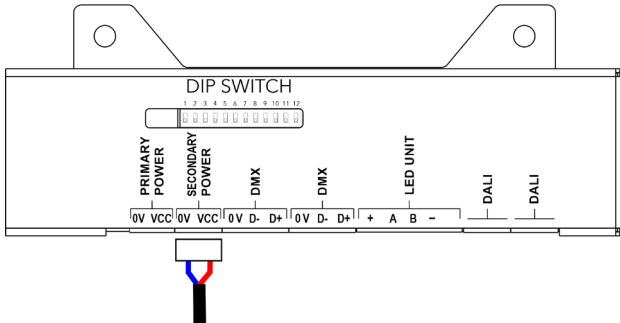


1B



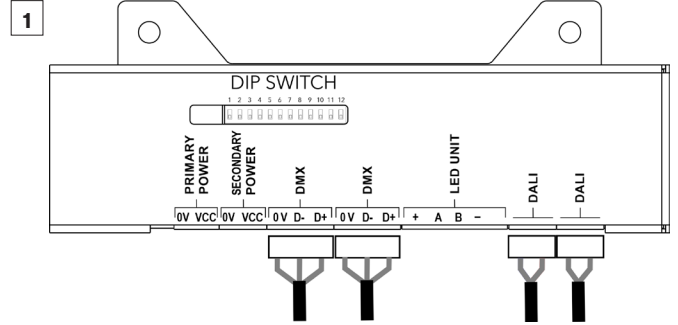
Install terminal block to power cable (from Ambient Power Rack or Ambient Power HP) and connect it to Primary power socket of the control unit.

STEP 5
SECONDARY POWER CONNECTION 48V
(PSU SCOPE OF OTHERS)



Install terminal block on Secondary power cable and connect it to Secondary power socket of the control unit.

STEP 6
DATA CABLES CONNECTION (DMX OR DALI)



Install terminal blocks on DMX or DALI cables and connect them to the control unit.

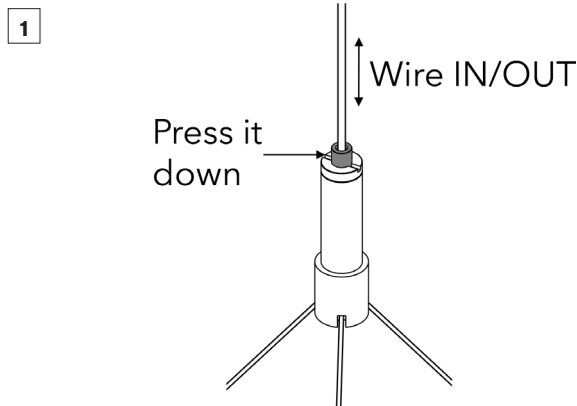
2

DMX CONNECTION

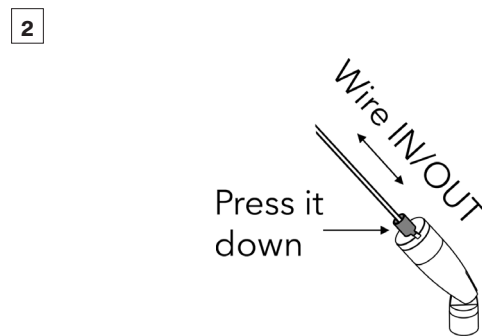
0V	D-	D+
Data Ground	Data -	Data +

Set the DIP switches to positions according to your operation mode. The fixture can be controlled by DMX or DALI (switch 11 in OFF position).

STEP 7
ADJUSTING THE HANGING WIRE LENGTH



Press down the pin on the wires connector for length adjustment.



Press down pins on the hanging wires anchors for length and downward orientation adjustment.

