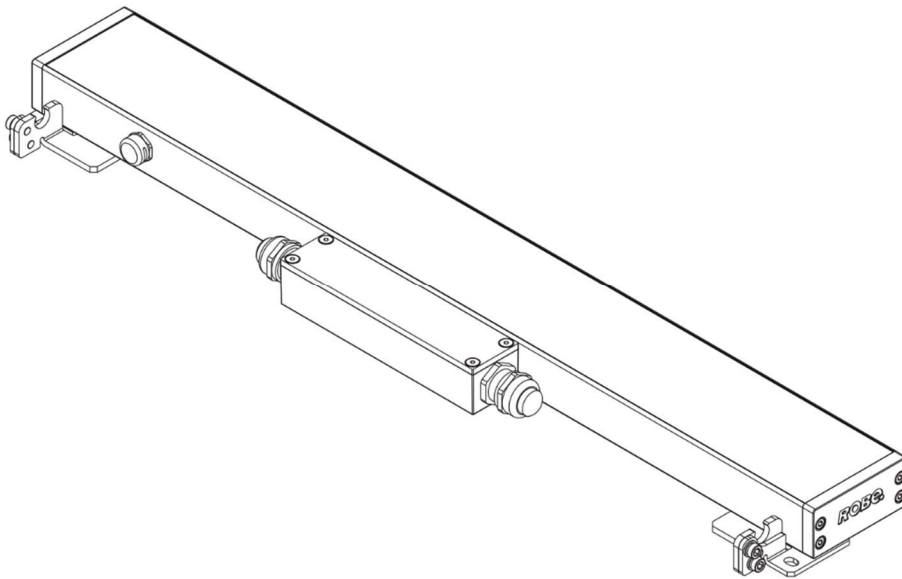


# UVinere Remote 1 UVinere Remote 2 UVinere Remote 4



QR code for user manual



**USER MANUAL**

Version 1.3

## Table of contents

1. Safety instructions .....	3
2. Fixture exterior view .....	5
3. Installation .....	6
3.1 Mounting the fixture .....	6
3.2 Connection to driver .....	6
3.3 Wiring of the junction box .....	8
4. Software update .....	10
5. Technical specifications .....	11
6. Cleaning and maintenance .....	13
6.1 Disposing of the product .....	13
7. ChangeLog .....	13

**FOR YOUR OWN SAFETY, PLEASE READ THIS USER MANUAL CAREFULLY  
BEFORE POWERING OR INSTALLING YOUR UVinere Remote !  
Save it for future reference.**

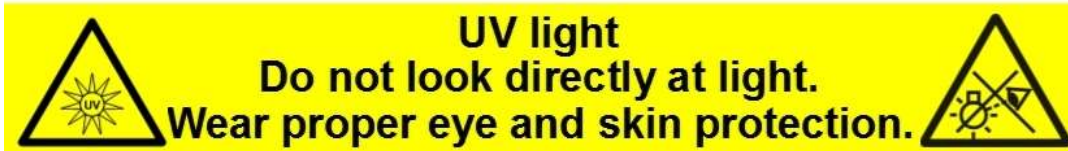
This device has left our premises in absolutely perfect condition. In order to maintain this condition and to ensure safe operation, it is absolutely necessary for the user to follow the safety instructions and warnings written in this manual.

The manufacturer will not accept liability for any resulting damages caused by the non-observance of this manual or any unauthorized modification to the device.

Unauthorized modification will void warranty.

## 1. Safety instructions

**THIS LUMINAIRE IS DESIGNED WITH UV LEDS AND MUST BE INSTALLED IN COMPLIANCE WITH COMPETENT TECHNICAL DIRECTIONS TO PREVENT THE USER'S EYE AND BARE SKIN FROM EXPOSURE TO HARMFUL UV RADIATION.**  
**CE LUMINAIRE EST CONÇU POUR ÊTRE UTILISÉ AVEC DES LED UV ET DOIT ÊTRE INSTALLÉ EN STRICTE CONFORMITÉ AVEC LES INSTRUCTIONS AFIN D'ÉVITER QUE LES YEUX OU LA PEAU L'UTILISATEUR NE SOIENT EXPOSÉS AUX EFFETS NÉFASTES DES RAYONS UV.**



**CAUTION: Radiation exposure may cause blindness and cancer of skin!**

Distance from UV source	Maximum exposure time (minutes)					
	Non optical version			24°		
	UVinere 1	UVinere 2	UVinere 4	UVinere 1	UVinere 2	UVinere 4
0.8m (2.6ft)	21	-	-	-	-	-
0.9m (3.0ft)	26.6	-	-	-	-	-
1m (3.3ft)	32.9	-	-	-	-	-
1.5m (4.9ft)	74.0	37.0	18.5	-	-	-
2m (6.6ft)	131.5	65.7	32.9	24.5	-	-
3m (9.8ft)	295.9	147.9	74.0	55.0	27.5	-
4m (13ft)	526.0	263.0	131.5	97.9	48.9	24.5
5m (16.4ft)	821.8	410.9	205.5	152.9	76.5	38.2
6m (19.7ft)	1183.4	591.7	295.9	220.2	110.1	55.0
7m (23ft)	1610.8	805.4	402.7	299.7	149.8	74.9
8m (26ft)	2103.9	1051.9	526.0	391.4	195.7	97.9
9m (29.5ft)	2662.7	1331.4	665.7	495.4	247.7	123.9
10m (32.8ft)	3287.3	1643.7	821.8	611.6	305.8	152.9

**DANGEROUS VOLTAGE CONSTITUTING A RISK OF ELECTRIC SHOCK IS PRESENT WITHIN THIS UNIT!**

Always disconnect the fixture from power before cleaning, servicing or installing.

The fixture was designed for outdoor use. This fixture must not be used for underwater installation.

When choosing the installation spot, please make sure that the fixture is not exposed to extreme heat or dust. Do not install the unit near an open flame.

Avoid using the unit in locations subject to possible impacts.

The fixture body never must be covered with cloth or other materials when the fixture is under operation.

Only operate the fixture after having checked that the housing is firmly closed and all screws are tightly fastened.

The fixture becomes hot during operation. Allow the fixture to cool approximately 30 minutes prior to servicing or maintenance.

Operate the fixture only after having familiarized yourself with its functions. Do not permit operation by persons not qualified to operate the fixture.

Immunity of the equipment is designed for electromagnetic environments E1, E2, E3 according to the standard EN55103-2 ed.2 Electromagnetic compatibility. Product family standard for audio, video, audiovisual and entertainment lighting control apparatus for professional use. Part 2: Immunity.

The product (covers and cables) must not be exposed to a high frequency electromagnetic field higher than 3V/m.

The installation company should check levels of possible interferences above the tested levels E1,E2,E3 given by this standard (e.g. transmitters in surrounding area) before installing the equipment.

Emission of the equipment complies with the standard EN55032 Electromagnetic compatibility of multimedia equipment – Emission Requirements according to class B.

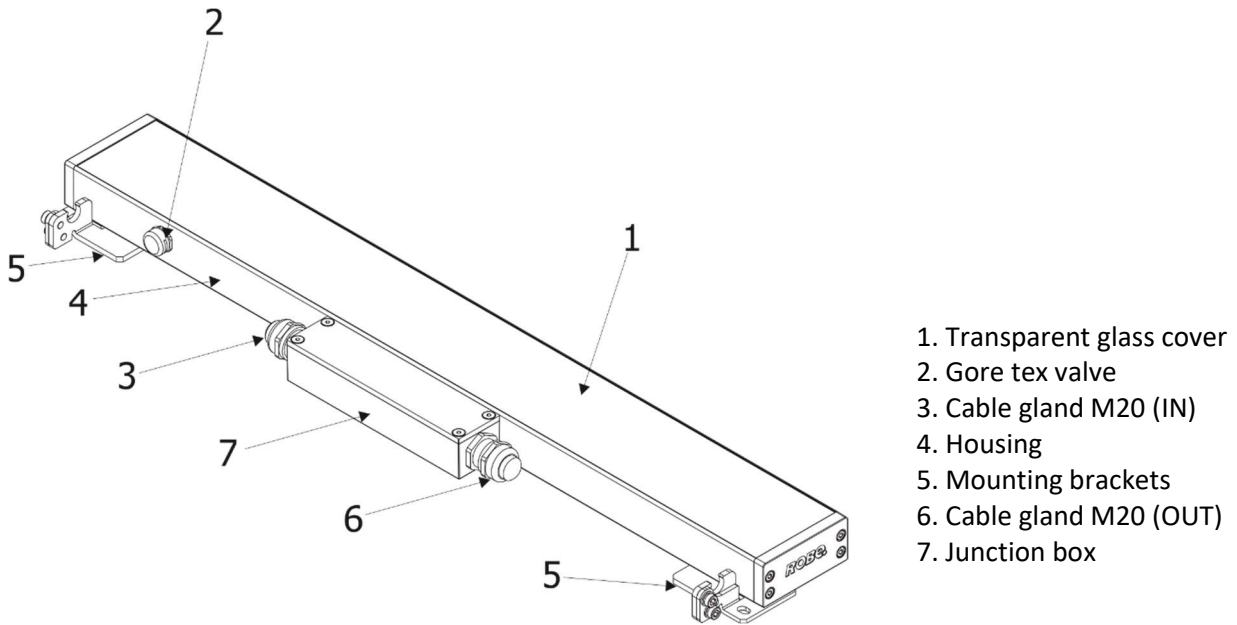
Please consider that unauthorized modifications on the fixture are forbidden due to safety reasons!

Please use the original packaging if the fixture is to be transported.

If this device will be operated in any way different to the one described in this manual, the product may suffer damages and the warranty becomes void. Furthermore, any other operation may lead to dangers like short-circuit, burns, electric shock etc.

Refer servicing to qualified service personnel.

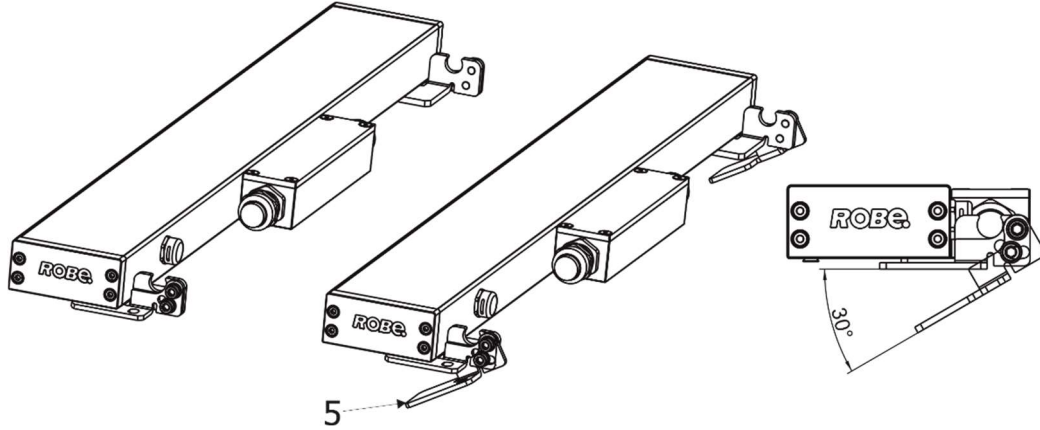
## 2. Fixture exterior view



### 3. Installation

#### 3.1 Mounting the fixture

The UVinere Remote can be arranged in any orientation on a flat, non-flammable surface by means of two mounting brackets (5) which can be tilted by 30°.

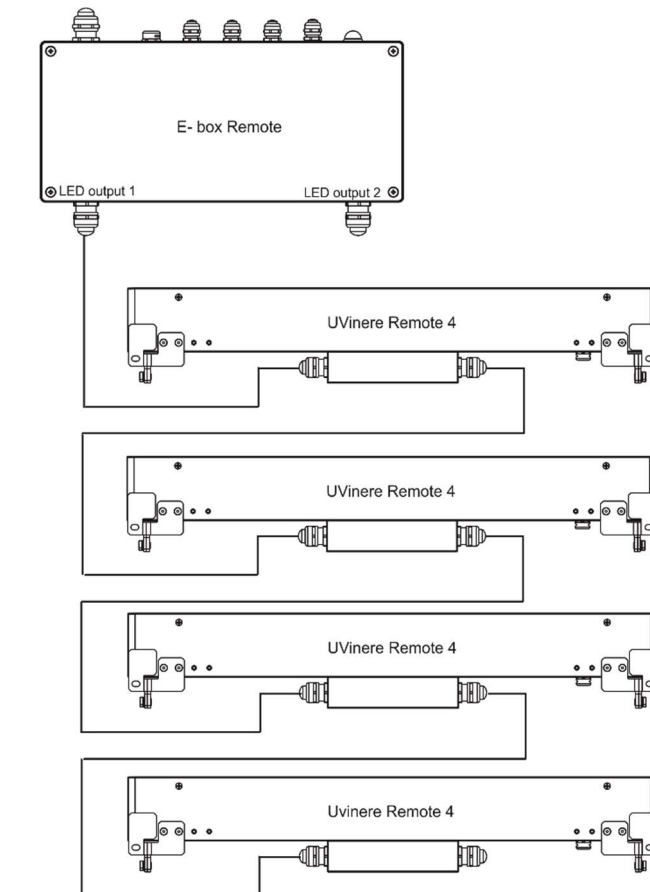


#### 3.2 Connection to driver

***The unit must be installed by a qualified electrician in accordance with all national and local electrical and construction codes and regulations.***

The UVinere Remote modules should be connected to the E-Box Remote or E-Box Remote basic as stated in the chapter "Technical specifications".

#### Example of connection



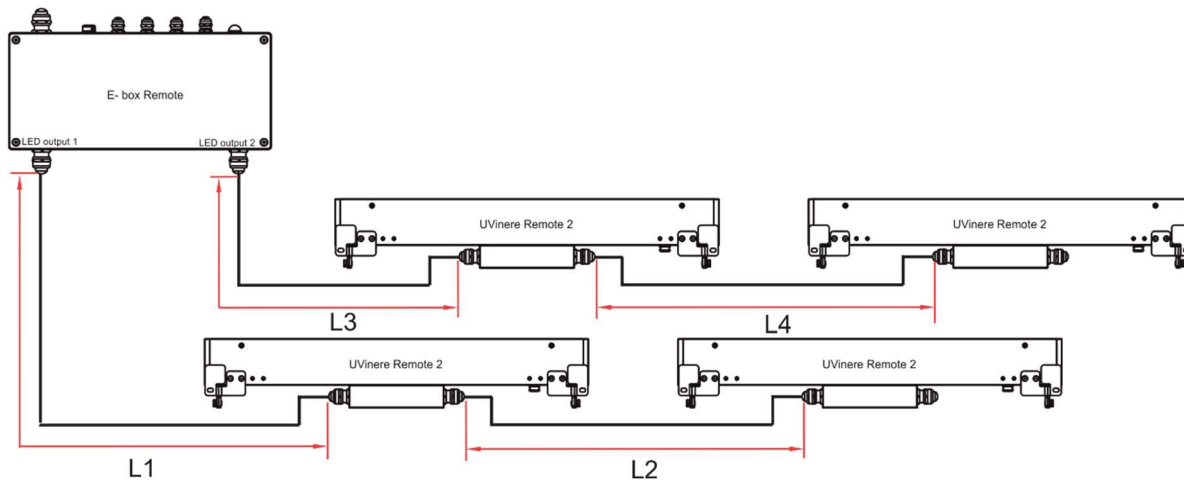
## UVinere Remote

The table below states max. number of UVinere Remote modules connected to the E-box Remote/E-box Remote Basic.

Cable length *	Max. number of UVineres Remote UV connected to the E-box Remote/E-box Remote Basic		
	UVinere Remote 1	UVinere Remote 2	UVinere Remote 4
25 m	20	10	5
50 m	16	8	4
75 m	13	6	3
100 m	10	5	2

\* Cable length is a total cable length between E-box Remote (E-box Remote Basic) and last connected UVinere Remote.

Example: Total cable length=L1+L2+L3+L4



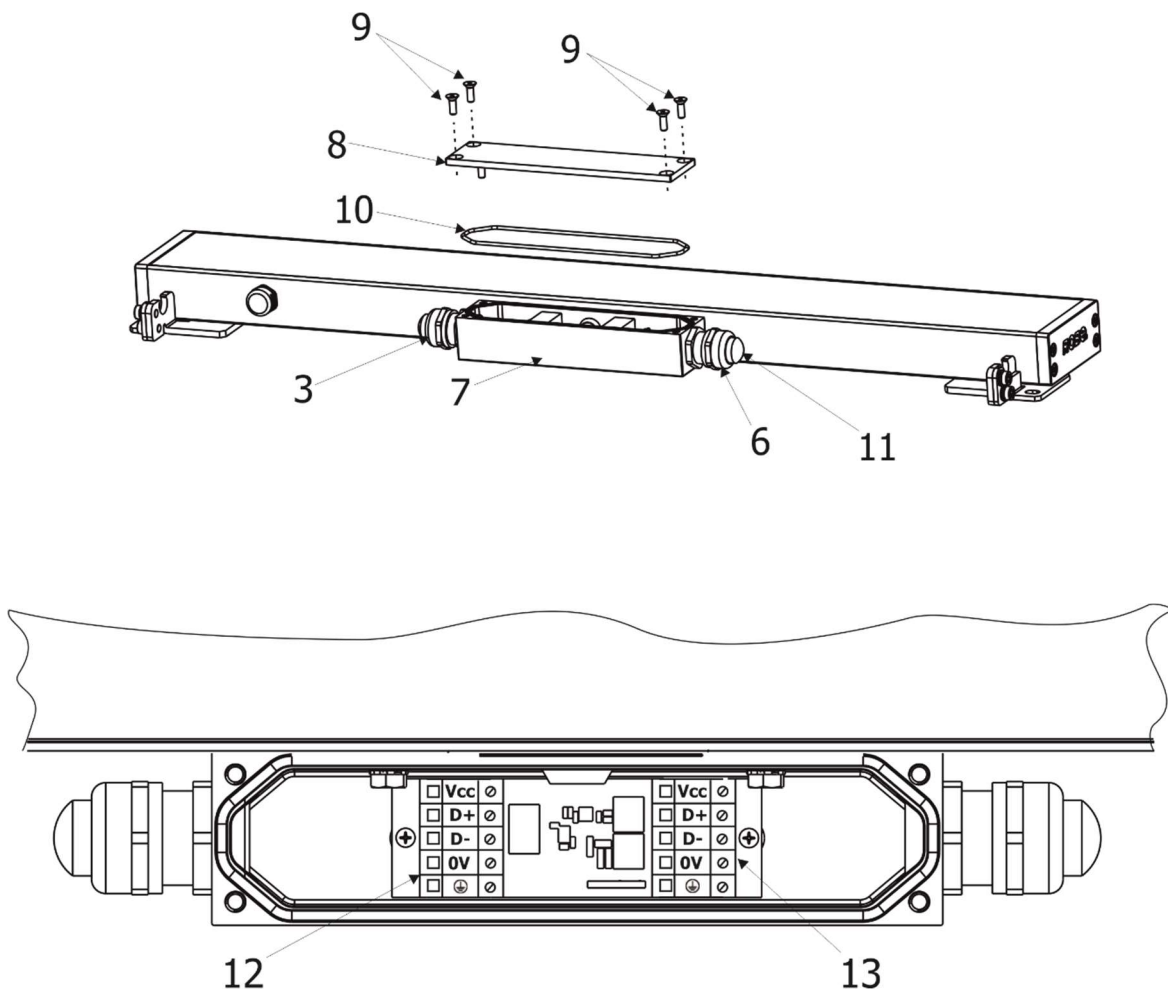
Max. number of UVinere Remote modules connected to the one output of the E-box Remote/E-box Remote Basic is stated in the following table.

Max. number of UVineres Remote connected to the one output of the E-box Remote/E-box Remote Basic		
UVinere Remote 1	UVinere Remote 2	UVinere Remote 4
16	8	4

Example: if you want to connect 10 UVineres Remote to the E-box Remote, you may connect 8 UVineres Remote 2 to the output 1 and 2 UVineres Remote UV 2 to the output 2 (at total cable length of 25 m).

### 3.3 Wiring of the junction box

1. Unscrew the four screws (9) on the cover (8) of the junction box (7), remove the cover (8) and the gasket (10).
2. Remove the end cap (11) from cable glands before passing cables through cable glands M20 (3,6).  
The cable glands M20x1.5 can be used for cables of a diameter of 7-13mm.
3. Pass the power/data cables through the cable glands (3,6) and connect them to the connection blocks (12, 13).
4. After checking all connections, fill the junction box with synthetic resin. Make sure that the End cap is inserted in unused cable gland before filling it.  
At filling of the junction box proceed according instructions stated on the bag of the resin.  
The connection blocks have to be fully poured in the resin.
5. Place the gasket (10) on the junction box (7) and screw the cover (8) to the junction box (7).  
Check that all cable glands (and blind flange) and screws are firmly tightened.



Wiring of connection blocks (12,13) in the junction box


**CE version**

Connector	Vcc	D+	D-	0V	⊕
Function	LEDs +	Data +	Data -	LEDs -	Ground
Colour of wire	Red	Orange	White	Black	Not connected




## UVinere Remote

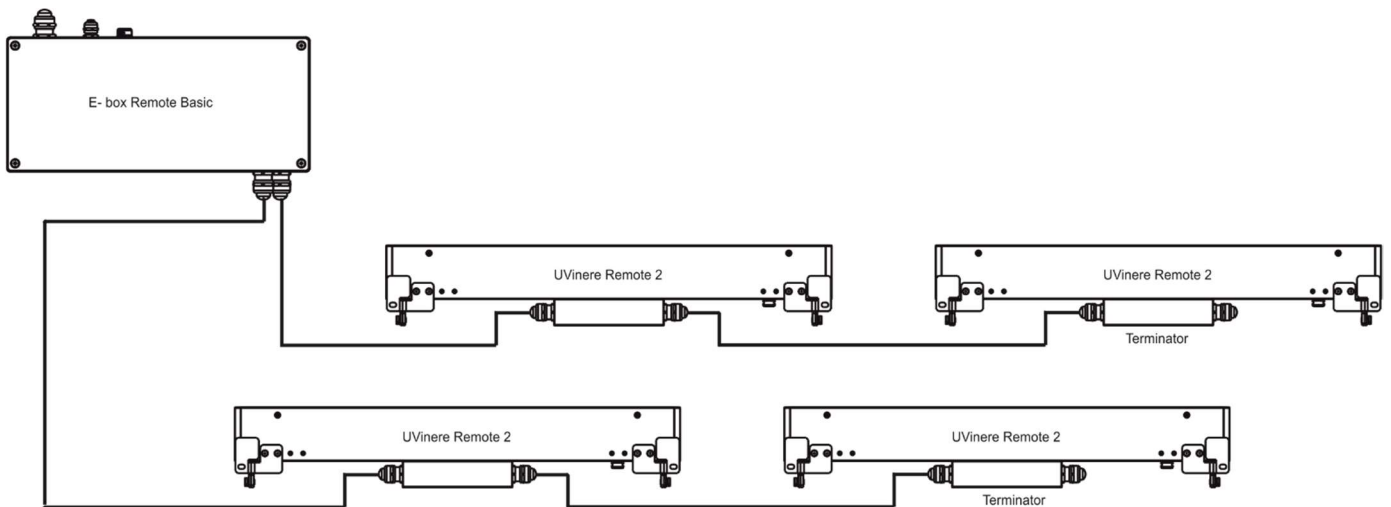
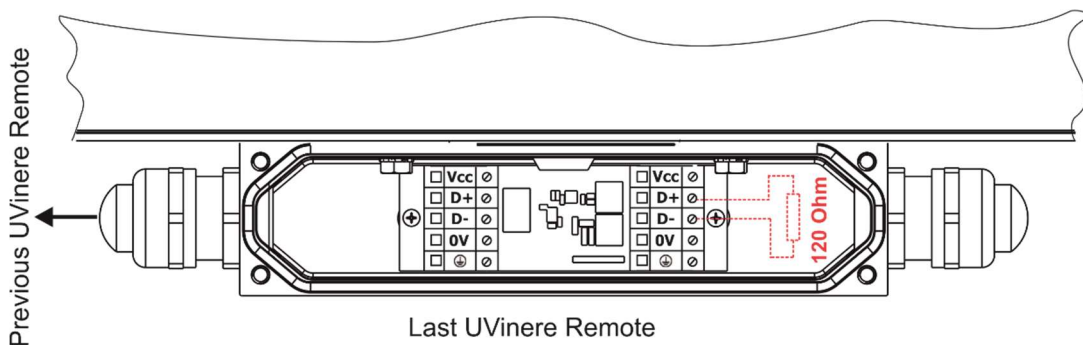
### US version

Connector	Vcc	D+	D-	0V	
Function	LEDs +	Data +	Data -	LEDs -	Ground
Colour of wire	Red	Orange	White	Black	Green

**NOTE:** Each line of UVinere Remote connected to the LED output of the E-box Remote/E-box Remote Basic has to be terminated at the last fixture.

**EITHER** connect a 120 Ohm resistor between terminals D+ and D- in the last fixture, **OR** terminate via RDM as described in the user manual for the E-box Remote.

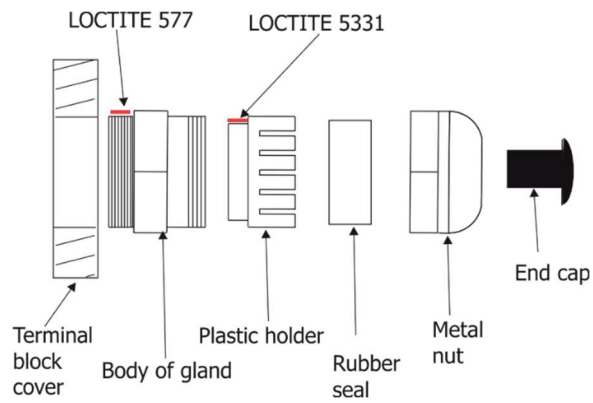
 Ensure **ONLY** the last fixture in the line is terminated using **ONE** of the above methods!



To keep declared IP rating of the fixture, every cable gland has to be covered with the end cap (11) if the cable gland is not used for cable passing.

We recommend to apply an adequate layer of the paste LOCTITE 5331 on the plastic holder of the cable gland before inserting it into the body of the gland and an adequate layer of the paste LOCTITE 577 on the thread of the body of gland (if the cable gland was screwed out).

## UVinere Remote



### 4. Software update

Software update of UVinere Remote has to be done by means of the software ROBE Uploader running on PC. The ROBE Uploader is a software for automatized software update of ROBE fixtures. The ROBE Uploader switches Emineres Remote UV to the update mode automatically. Please see <https://www.robe.cz/robe-uploader/> for more information about ROBE uploader and the E-box Remote user manual (E-box Remote Basic user manual).

## 5. Technical specifications

### Power supply

- Input voltage: 48 V
- Power consumption:
  - UVinere Remote 1: 20W
  - UVinere Remote 2: 40W
  - UVinere Remote 4: 80W

### Optic

- Light source:
  - UVinere Remote 1: 8 x UV LEDs
  - UVinere Remote 2: 16 x UV LEDs
  - UVinere Remote 4: 32 x UV LEDs
- UV LEDs Wave Length: 365nm
- Beam Angle:
  - optical version: 24°
  - non-optical version: 92°
- LEDs lifetime: 10.000 hrs

### Compatible drivers

- E-box Remote, E-box Remote Basic

### Mounting method

- Via two L-shape brackets with adjustment range 30°

### Housing

- Aluminium extruded body
- Tempered glass

### Cooling system

- Convection

### Total heat dissipation

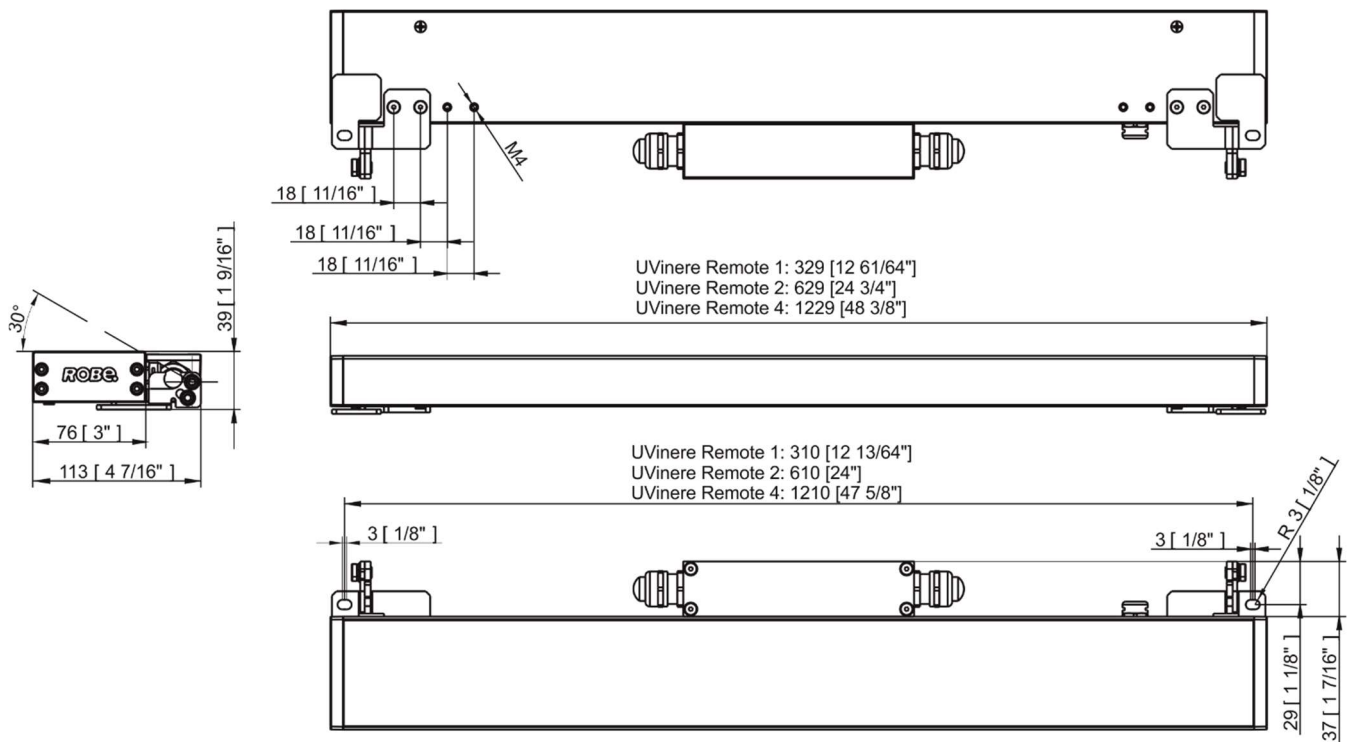
- UVinere Remote 1: 51 BTU/h (calculated)
- UVinere Remote 2: 102 BTU/h (calculated)
- UVinere Remote 4: 205 BTU/h (calculated)

### Weight

- UVinere Remote 1: 2 kg (4.41 lbs)
- UVinere Remote 2: 3.1 kg (6.83 lbs)
- UVinere Remote 4: 5.1 kg (11.24 lbs)

## UVinere Remote

### Dimensions (All dimensions in mm [inch])



### Protection factor

- CE: IP 67
- US: Suitable for wet location

### Impact rating

- CE: IK06

### Operating ambient temperature range

- -20°C /+40°C (-4°F /+104°F)

### Operating temperature

- +67°C @ Ambient +40°C (+153°F @ Ambient +104°F)

### Connection

- 5-cored cable

### Included items

- 1 x UVinere Remote
- 1 x User manual

### Optional accessories

- Cable for Eminere Remote (P/N 13053336)
- Black Glass Adaptor UVinere Remote 2 RAL9011 (P/N 10980752)
- Black Glass Adaptor UVinere Remote 4 RAL9011 (P/N 10980702)

## 6. Cleaning and maintenance

**DANGER !**  
**Disconnect from the mains before starting any maintenance or cleaning work**

Rinse off loose dirt with low pressure water spray. Wash the housing with a soft brush or sponge and a mild, non-abrasive washing detergent. Rinse it.

Maintenance and service operations are only to be carried out by a qualified person.

Should you need any spare parts, please use ROBE OEM parts.

### 6.1 Disposing of the product

To preserve the environment please dispose or recycle this product at the end of its life according to the local regulations and codes.

## 7. ChangeLog

This section summarizes changes in the user manual.

Version of the manual	Date of issue	Description of changes
1.0	19/05/2022	QR code added
1.1	17/08/2022	Termination of Emineres line added, colors of wires changed
1.2	09/01/2023	Eminere Remote 1 added
1.3	18/01/2023	Device renamed to UVinere Remote

*Specifications are subject to change without notice.*

*January 18, 2023*

*Copyright © 2020-2023 Robe Lighting - All rights reserved*

Made in CZECH REPUBLIC by ROBE LIGHTING s.r.o. Palackeho 416/20 CZ 75701 Valasske Mezirici

**DMX protocol for: Eminere 1/2/3/4; Eminere Side 1/2/3/4;  
Eminere Inground 2/4; Eminere Remote 1/2/3/4;  
UVinere 2/4; UVinere Remote 1/2/4**

Version: 3.1 (23 modes in total), software version 3.0 and higher

Mode/Channels in all							Mode 1: RGBW(A)-8bit, Mode 2: RGB 8-bit, Mode 3: full RGBW(A)	
1	2	3	4	5	6	7-10	Mode 4: White-full control, Mode 5: Reduced RGBW(A)	
4	3	12	3	6	8	Reserved	Mode 6- Reduced RGBW(A)+white control	
							<b>RGBW(A) / RGB modes</b>	
Mode/channels						DMX Value	Function	Type of control
1	2	3	4	5	6			
1	1	1	-	1	1	0 - 255	<b>Red</b> Red LEDs saturation control (0-100%)	proportional
-	-	2	-	-	-	0 - 255	<b>Red Fine</b> Red LEDs saturation control fine	proportional
2	2	3	-	2	2	0 - 255	<b>Green</b> Green LEDs saturation control (0-100%)	proportional
-	-	4	-	-	-	0 - 255	<b>Green Fine</b> Green LEDs saturation control fine	proportional
3	3	5	-	3	3	0 - 255	<b>Blue</b> Blue LEDs saturation control (0-100%)	proportional
-	-	6	-	-	-	0 - 255	<b>Blue Fine</b> Blue LEDs saturation control fine	proportional
4	-	7	-	4	4	0 - 255	<b>White (Amber)</b> White LEDs saturation control (0-100%)	proportional
-	-	8	-	-	-	0 - 255	<b>White (Amber) Fine</b> White LEDs saturation control fine	proportional
-	-	9	1	-	5	0	<b>Green correction</b> Uncorrected white	step
						1-127	Minus green --> uncorrected white	proportional
						128	Uncorrected white (128=default)	step
						129-255	Uncorrected white --> Plus green	proportional
-	-	10	2	-	6	0	<b>Colour temperature correction (CTC)</b> No function (0 - default)	step
						1 - 10	Tungsten dimming 2700 K	step
						11 - 20	Tungsten dimming 3200 K	step
						21-255	Colour temperature changing from 1800 K --> 6500 K (21-1800K, 66-2700K, 91-3200K,141-4200K, 211-5600K, 255-6500K)	proportional
-	-	11	3	5	7	0 - 255	<b>Dimmer</b> Light intensity coarse (0-100%)	proportional
-	-	12	-	6	8	0 - 255	<b>Dimmer Fine</b> Light intensity fine	proportional

Copyright © 2022-2023 Robe Lighting s.r.o. - All rights reserved

All Specifications subject to change without notice

**DMX protocol for: Eminere 1/2/3/4; Eminere Side 1/2/3/4;  
Eminere Inground 2/4; Eminere Remote 1/2/3/4;  
UVinere 2/4; UVinere Remote 1/2/4**

Version: 3.1 (23 modes in total)

Mode/Channels in all				Mode 11: TW – White selection + Dimmer, Mode 12: TW – WW + CW	
11	12	13	14-16	Mode 13: PW - Dimmer	
3	4	2	Reserved	<i>Mode 13 is suitable for UVinere and UVinere Remote</i>	
<b>TW and PW modes</b>					
Mode/channels			DMX Value	Function	Type of control
11	12	13			
1	-	-	0 - 255	<b>White colour selection</b> White from 2700 K - 6500 K	proportional
-	1	-	0 - 255	<b>Warm White</b> Warm White LEDs saturation control (0-100%)	proportional
-	2	-	0 - 255	<b>Cool White</b> Cool White LEDs saturation control (0-100%)	proportional
2	3	1	0 - 255	<b>Dimmer</b> Light intensity coarse (0 - 100%)	proportional
3	4	2	0 - 255	<b>Dimmer Fine</b> Light intensity fine	proportional
Copyright © 2022-2023 Robe Lighting s.r.o. - All rights reserved					
All Specifications subject to change without notice					

**DMX protocol for: Eminere 1/2/3/4; Eminere Side 1/2/3/4;  
Eminere Inground 2/4; Eminere Remote 1/2/3/4;**

Version: 3.1 (23 modes in total)

Mode/Channels in all					Mode 16: RGBW(A) pixels, Mode 17 RGB pixels, Mode 18: TW pixels, Mode 19- PW dimmer pixels			
17	18	19	20	21-23				
16	12	8	8	Reserved				
Mode/channels					DMX Value	Pixel modes	Function	Type of control
17	18	19	20					
1	1	-	-	0 - 255	<b>Red 1 -Eminere 1/2/3/4</b>	Red LEDs saturation control (0-100%)	proportional	
2	2	-	-	0 - 255	<b>Green 1-Eminere 1/2/3/4</b>	Green LEDs saturation control (0-100%)	proportional	
3	3	-	-	0 - 255	<b>Blue 1-Eminere 1/2/3/4</b>	Blue LEDs saturation control (0-100%)	proportional	
4	-	-	-	0 - 255	<b>White (Amber) 1-Eminere 1/2/3/4</b>	White LEDs saturation control (0-100%)	proportional	
5	4	-	-	0 - 255	<b>Red 2 -Eminere 2/3/4</b>	Red LEDs saturation control (0-100%)	proportional	
6	5	-	-	0 - 255	<b>Green 2-Eminere 2/3/4</b>	Green LEDs saturation control (0-100%)	proportional	
7	6	-	-	0 - 255	<b>Blue 2-Eminere 2/3/4</b>	Red LEDs saturation control (0-100%)	proportional	
8	-	-	-	0 - 255	<b>White (Amber) 2-Eminere 2/3/4</b>	White LEDs saturation control (0-100%)	proportional	
9	7	-	-	0 - 255	<b>Red 3-Eminere 3/4</b>	Red LEDs saturation control (0-100%)	proportional	
10	8	-	-	0 - 255	<b>Green 3-Eminere 3/4</b>	Green LEDs saturation control (0-100%)	proportional	
11	9	-	-	0 - 255	<b>Blue 3-Eminere 3/4</b>	Blue LEDs saturation control (0-100%)	proportional	
12	-	-	-	0 - 255	<b>White (Amber) 3-Eminere 3/4</b>	White LEDs saturation control (0-100%)	proportional	
13	10	-	-	0 - 255	<b>Red 4-Eminere 4</b>	Red LEDs saturation control (0-100%)	proportional	
14	11	-	-	0 - 255	<b>Green 4-Eminere 4</b>	Green LEDs saturation control (0-100%)	proportional	
15	12	-	-	0 - 255	<b>Blue 4-Eminere 4</b>	Blue LEDs saturation control (0-100%)	proportional	
16	-	-	-	0 - 255	<b>White (Amber) 4 -Eminere 4</b>	White LEDs saturation control (0-100%)	proportional	
-	-	1	-		<b>Warm White 1 -Eminere 1/2/3/4</b>	Warm White LEDs saturation control (0-100%)	proportional	
-	-	2	-	0 - 255	<b>Cool White 1-Eminere 1/2/3/4</b>	Cool White LEDs saturation control (0-100%)	proportional	
-	-	3	-		<b>Warm White 2-Eminere 2/3/4</b>			



## DMX protocol

Mode/channels				DMX Value	Function	Type of control
17	18	19	20			
				0 - 255	Warm White LEDs saturation control (0-100%)	proportional
-	-	4	-		<b>Cool White 2-Eminere 2/3/4</b>	
				0 - 255	Cool White LEDs saturation control (0-100%)	proportional
-	-	5	-		<b>Warm White 3-Eminere 3/4</b>	
				0 - 255	Warm White LEDs saturation control (0-100%)	proportional
-	-	6	-		<b>Cool White 3-Eminere 3/4</b>	
				0 - 255	Cool White LEDs saturation control (0-100%)	proportional
-	-	7	-		<b>Warm White 4 -Eminere 4</b>	
				0 - 255	Warm White LEDs saturation control (0-100%)	proportional
-	-	8	-		<b>Cool White 4 -Eminere 4</b>	
				0 - 255	Cool White LEDs saturation control (0-100%)	proportional
-	-	-	1		<b>Dimmer 1</b>	
				0 - 255	Light intensity coarse (0 - 100%)	proportional
-	-	-	2		<b>Dimmer Fine 1</b>	
				0 - 255	Light intensity fine	proportional
-	-	-	3		<b>Dimmer 2</b>	
				0 - 255	Light intensity coarse (0 - 100%)	proportional
-	-	-	4		<b>Dimmer Fine 2</b>	
				0 - 255	Light intensity fine	proportional
-	-	-	5		<b>Dimmer 3</b>	
				0 - 255	Light intensity coarse (0 - 100%)	proportional
-	-	-	6		<b>Dimmer Fine 3</b>	
				0 - 255	Light intensity fine	proportional
-	-	-	7		<b>Dimmer 4</b>	
				0 - 255	Light intensity coarse (0 - 100%)	proportional
-	-	-	8		<b>Dimmer Fine 4</b>	
				0 - 255	Light intensity fine	proportional
Copyright © 2022 Robe Lighting s.r.o. - All rights reserved						
All Specifications subject to change without notice						