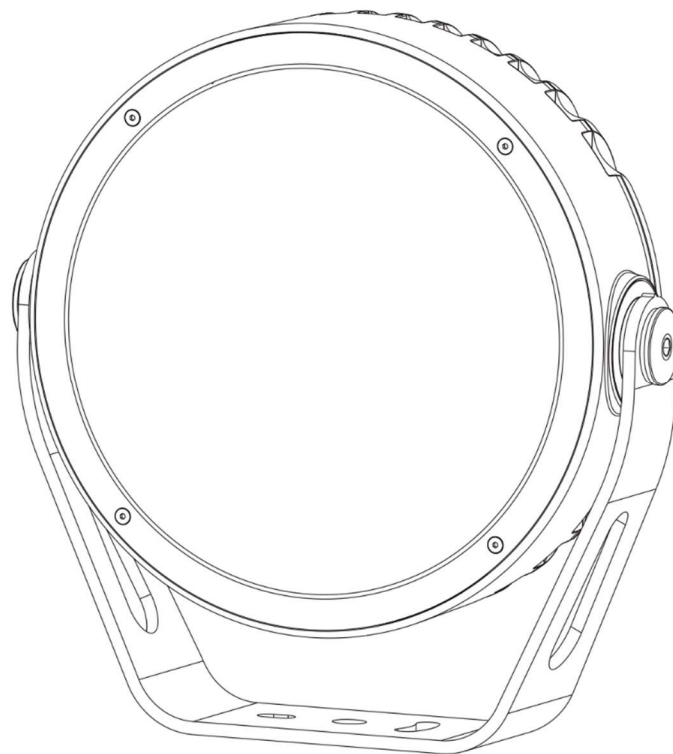


Calumma Classic M MC Calumma Classic M SC



QR code for user manual



USER MANUAL

Version 1.1

Table of contents

1. Safety instructions	3
2. Fixture exterior view.....	4
3. Installation	5
3.1 Mounting the fixture	5
2.2 Connection to driver.....	5
4. Technical specifications	8
5. Cleaning and maintenance	11
5.1 Disposing of the product	11
6. ChangeLog	11

**FOR YOUR OWN SAFETY, PLEASE READ THIS USER MANUAL CAREFULLY
BEFORE POWERING OR INSTALLING YOUR CALUMMA CLASSIC M !
Save it for future reference.**

This device has left our premises in absolutely perfect condition. In order to maintain this condition and to ensure safe operation, it is absolutely necessary for the user to follow the safety instructions and warnings written in this manual.

The manufacturer will not accept liability for any resulting damages caused by the non-observance of this manual or any unauthorized modification to the device.

Unauthorized modification will void warranty.

This device is for professional use only. It is not for household use.

1. Safety instructions

Consider respective national norms during fixture installation.

Always disconnect the fixture from power before cleaning, servicing or installing.

Do not install the unit near an open flame.

Make sure the power cable is not damaged by sharp edges.

LED light emission. Risk of eye injury. Do not look into the beam from a short distance without suitable protective eyewear. Do not look at LEDs with magnifiers or similar optical instruments that may concentrate the light output.

The fixture was designed for outdoor use. This fixture must not be used for underwater installation.

When choosing the installation spot, please make sure that the fixture is not exposed to extreme heat or dust.

Avoid using the unit in locations subject to possible impacts.

The fixture body never must be covered with cloth or other materials when the fixture is under operation.

Only operate the fixture after having checked that the housing is firmly closed and all screws are tightly fastened.

The fixture becomes hot during operation. Allow the fixture to cool approximately 30 minutes prior to servicing, cleaning or maintenance.

Immunity of the equipment is designed for electromagnetic environments E1, E2, E3 according to the standard EN55103-2 ed.2 Electromagnetic compatibility. Product family standard for audio, video, audiovisual and entertainment lighting control apparatus for professional use. Part 2: Immunity.

The product (covers and cables) must not be exposed to a high frequency electromagnetic field higher than 3V/m.

The installation company should check levels of possible interferences above the tested levels E1,E2,E3 given by this standard (e.g. transmitters in surrounding area) before installing the equipment.

Emission of the equipment complies with the standard EN55032 Electromagnetic compatibility of multimedia equipment – Emission Requirements according to class B.

Please consider that unauthorized modifications on the fixture are forbidden due to safety reasons!

Please use the original packaging if the fixture is to be transported.

Refer servicing to qualified service personnel.

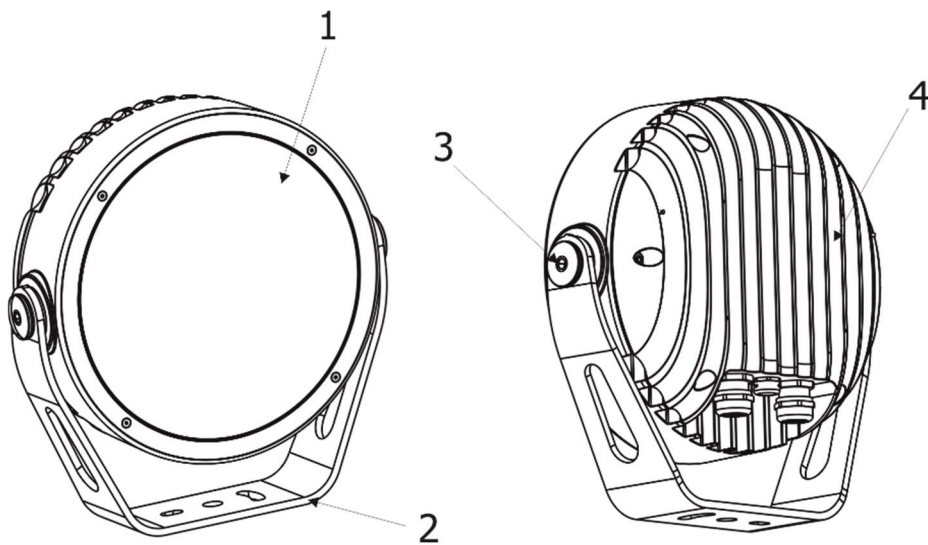
Warning for fixture with Harsh Environment Finish (HEF):

Handle with care!

Avoid any damage to the painted surface.

Damaging the paint may result in corrosion and loss of warranty.

2. Fixture exterior view

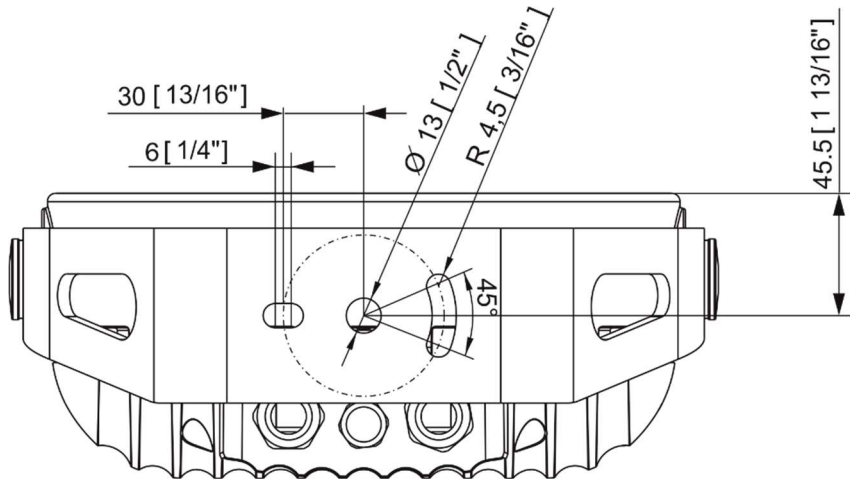


1. Transparent glass cover
2. Mounting yoke
3. Tilt adjusting lock
4. LED module with heat sink

3. Installation

3.1 Mounting the fixture

The Calumma Classic M can be fastened in any orientation on a flat, non-flammable surface by means of mounting yoke (2).



The LED module (4) can be tilted $+180^\circ/-180^\circ$. Use an Allen key 2.5 for adjusting a LED module position.

Ensure that the structure to which you are attaching the fixture is secure.

A structure intended for installation of the fixture(s) must safely hold at least 5 times the weight of the fixture(s) fastened on it.

2.2 Connection to driver

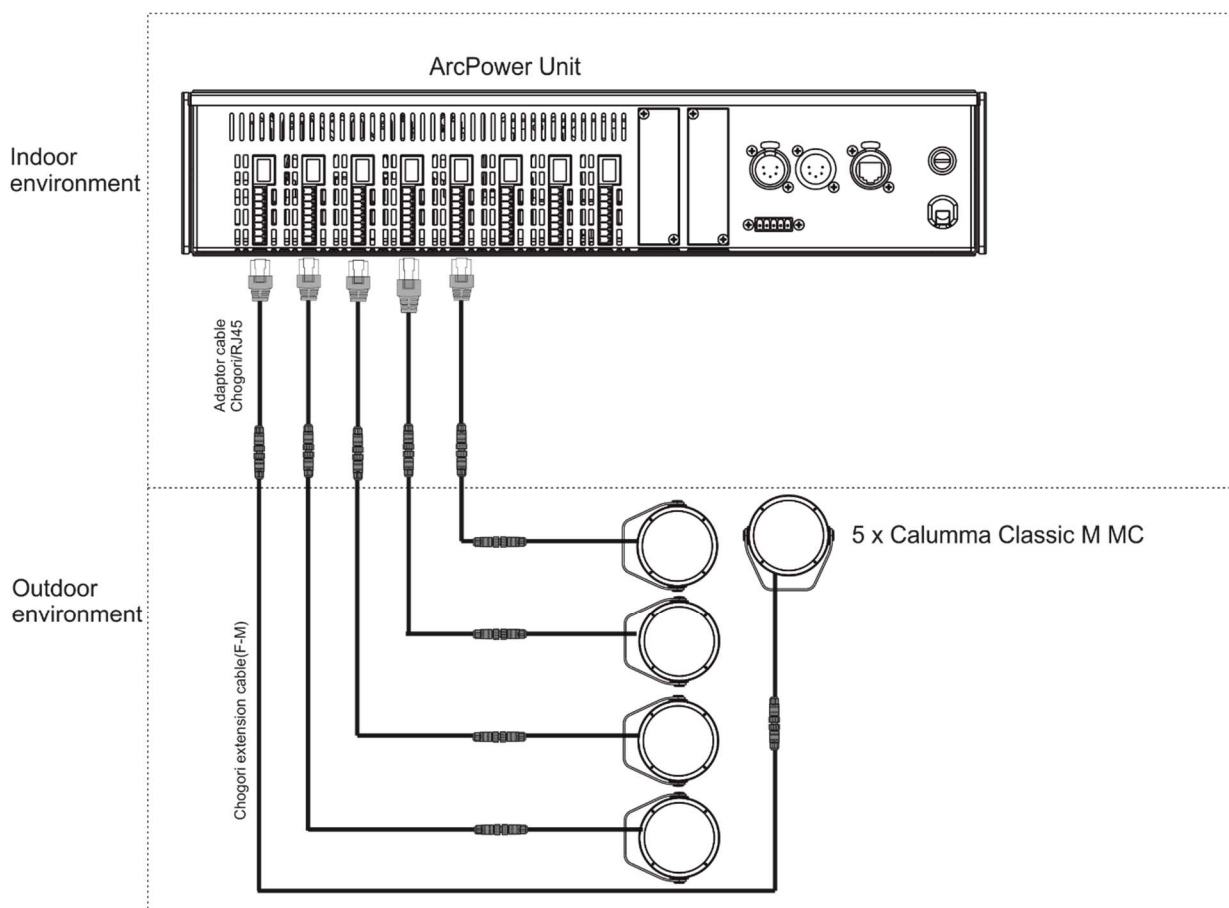
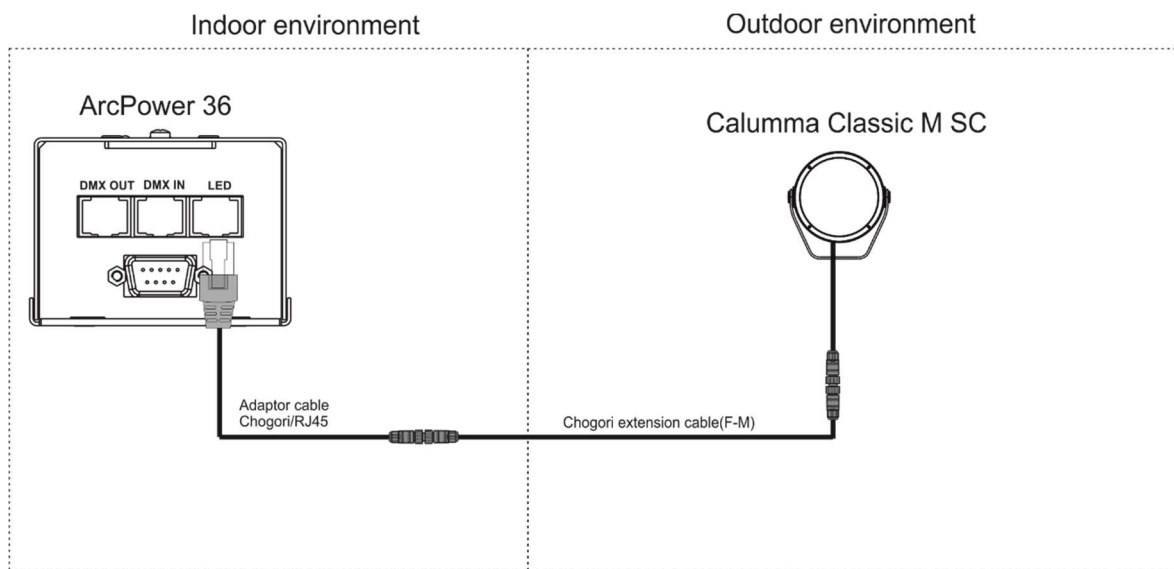
The fixture must be installed by a qualified electrician in accordance with all national and local electrical and construction codes and regulations.

Do not connect (disconnect) Calummas Classic M to the driver when the driver is under voltage!

The Calumma Classic M should be connected to the ArcPower drivers (ArcPower 36/72/144, ArcPower Unit). Note. Drivers ArcPower 36/72/144 offer LED current 350mA only, for LED current 500mA and 700mA serves the ArcPower Unit. Needed cables and connectors are stated in the chapter “Technical specifications”.

Calumma Classic M

Examples of connection



Fixture's Chogori connector is water protected according to IP 67 by mating with related Chogori connector. It cannot stay disconnected outdoor without covering the waterproof cap (optional item).

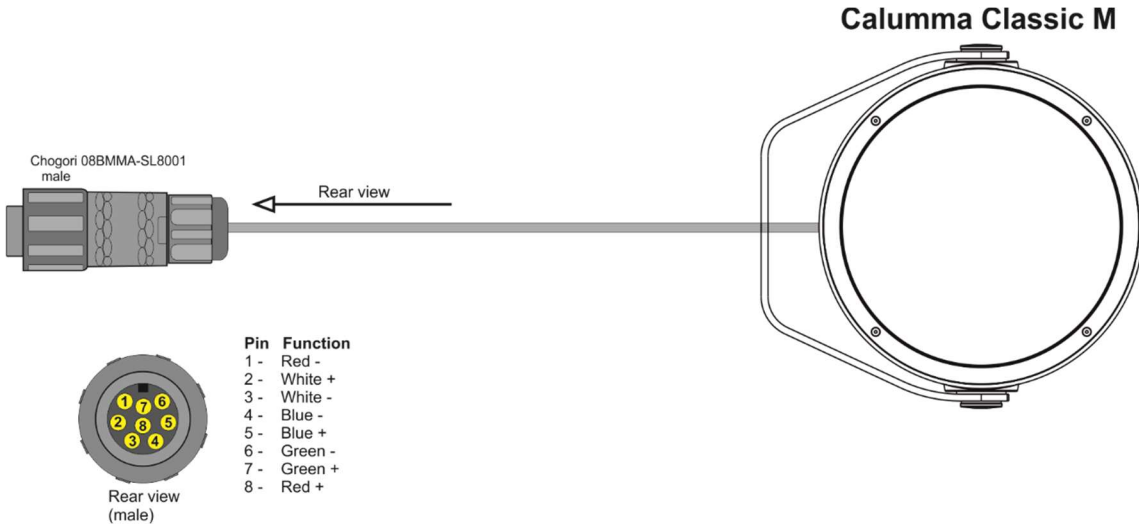
Max. number of connected fixtures to one LED output of the ArcPower driver:

Type of Calumma	ArcPower 36/ArcPower 72/ArcPower 144	ArcPower Unit
Calumma Classic M SC	1	1
Calumma Classic M MC	1	1

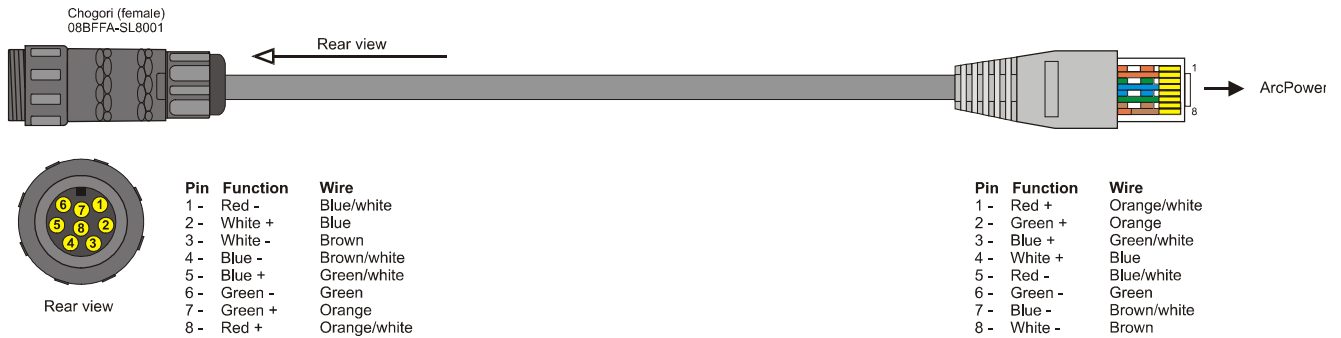
Calumma Classic M

Wiring of cables and connectors

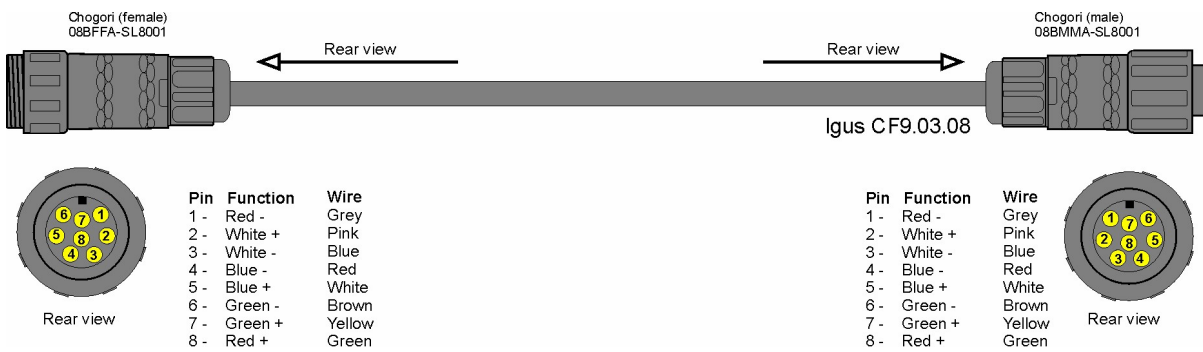
Calumma Classic M



Chogori (female) to RJ45 adaptor cable (for indoor use only)



Chogori extension cable (male-female)



4. Technical specifications

Electrical

- Input voltage: 48V
- Max. input current (per colour):
 - Calumma Classic M MC: 350mA/500mA/700mA
 - Calumma Classic M SC: 350mA/500mA
- Power consumption:
 - Calumma Classic M MC: 65 W +/-10 % (@ 700mA)
 - Calumma Classic M SC: 60 W +/-10 % (@ 500mA)

Optical

- Light source:
 - Calumma Classic M MC: 7 x high power multi chip LEDs
 - Calumma Classic M SC: 37 x high power single chip LEDs
- Colour variants:
 - Calumma Classic M MC: RGBW, RGBA, PW, on request: TW (2700K-6500K)
 - Calumma Classic M SC: RGBW, RGBA, PW, on request: TW (2700K-6500K), 2200 K, 2500 K, 2700 K, 3500 K, 4000 K, 5000 K, 6500 K
- Beam Angle:
 - Calumma Classic M MC:
 - Symmetrical: 9°, 15°, 25°, 30°, 45°, 65°, 100°
 - Bi-symmetrical: 10° x 30°, 30° x 10°, 10° x 60°, 60° x 10°, 15° x 45°, 45° x 15°, 15° x 90°, 90° x 15°, 30° x 60°, 60° x 30°, 30° x 90°, 90° x 30°
 - Calumma Classic M SC:
 - Symmetrical: 10°, 15°, 25°, 30°, 45°, 65°, 100°
 - Bi-symmetrical: 10° x 30°, 30° x 10°, 10° x 60°, 60° x 10°, 15° x 45°, 45° x 15°, 15° x 90°, 90° x 15°, 30° x 60°, 60° x 30°, 30° x 90°, 90° x 30°
- Projected Lumen Maintenance: L90B10 >90.000 hrs, Ta = 25°C / 77°F

Compatible drivers

- For 350mA:
 - ArcPower 36/ArcPower 36 SmartWhite
 - ArcPower 72/ArcPower 72 SmartWhite
 - ArcPower 144/ArcPower 144 SmartWhite
- For 350/500/700 mA:
 - ArcPower Unit Rack Mount/ArcPower Unit Wall Mount

Mounting method

- Via yoke
- Adjustability: -180°/+180°

Housing

- High pressure die-cast aluminium body
- Tempered glass

Cooling system

- Convection

Total heat dissipation (calculated)

- Calumma Classic M MC: 167 BTU/h (calculated)
- Calumma Classic M SC: 153 BTU/h (calculated)

Calumma Classic M

Protection factor

- CE: IP 67
- US: Suitable for wet location

Impact rating

- CE: IK06

Operating ambient temperature range

- -20°C /+40°C (-4°F /+104°F)

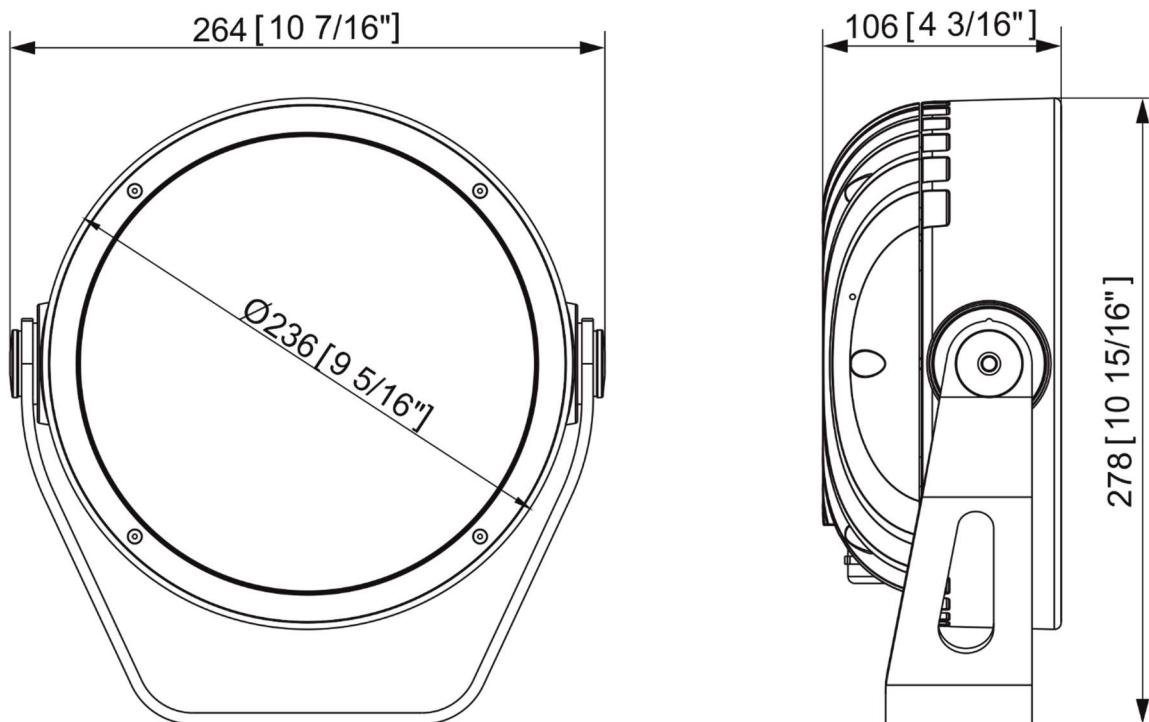
Connection

- 0.5m cable (standard) with connector Chogori IP67

Weight

- Calumma Classic M MC: 5.77 kg (12.77 lbs)
- Calumma Classic M SC: 5.9 kg (13 lbs)

Dimensions (All dimensions in mm [inch])



Included items

- 1 x Calumma Classic M
- 1 x Connector Chogori CGRBDU-08BFFA (female), IP67, (P/N 13051601)

Calumma Classic M

Optional accessories

- Connectors
 - (P/N 13051601) Chogori connector, 8-Pin female IP67
 - (P/N 13051602) Chogori connector, 8-Pin male IP67

- End caps
 - (P/N 13051950) Chogori waterproof cap, male
 - (P/N 13052451) Chogori waterproof Cap, female

- CE Outdoor extension cables Chogori (8pin,F)/Chogori (8pin,M)
 - (P/N 13052187) Extension cable CGR8 F/M, L1m
 - (P/N 13051960) Extension cable CGR8 F/M, L3m
 - (P/N 13052084) Extension cable CGR8 F/M, L7m
 - (P/N 13052059) Extension cable CGR8 F/M, L10m
 - (P/N 13052156) Extension cable CGR8 F/M, L20m

- US Outdoor extension cables Chogori (8pin,F)/Chogori (8pin,M)
 - (P/N 13052847) Extension cable CGR8 F/M, L1m, US
 - (P/N 13052848) Extension cable CGR8 F/M, L3m, US
 - (P/N 13052849) Extension cable CGR8 F/M, L7m, US
 - (P/N 13052850) Extension cable CGR8 F/M, L10m, US

- Indoor extension cables Chogori (8-pin,F)/RJ45
 - (P/N 13051966) Extension cable CGR8-F/RJ45, L0,25m
 - (P/N 13051630) Extension cable CGR8-F/RJ45, L3m
 - (P/N 13051631) Extension cable CGR8-F/RJ45, L7m
 - (P/N 13051682) Extension cable CGR8-F/RJ45, L15m
 - (P/N 13051829) Extension cable CGR8-F/RJ45, L20m

- Top Hat Calumma M RAL9011 (P/N 10980734)

- Half Top Hat Calumma M RAL9011 (P/N 10980723)

- Tenon Adaptor for Calumma M

- Pole Mount Bracket for Calumma M

5. Cleaning and maintenance

DANGER !
Disconnect from the mains before starting any maintenance or cleaning work

Rinse off loose dirt with low pressure water spray. Wash the housing with a soft brush or sponge and a mild, non-abrasive washing detergent. Rinse it.

Maintenance and service operations are only to be carried out by a qualified person.

Should you need any spare parts, please use ROBE OEM parts.

5.1 Disposing of the product

To preserve the environment please dispose or recycle this product at the end of its life according to the local regulations and codes.

6. ChangeLog

This section summarizes changes in the user manual.

Version of manual	Date of issue	Description of changes
1.1	13/01/2023	QR code added

Specifications are subject to change without notice.

January 13, 2023

Copyright © 2022-2023 Robe Lighting - All rights reserved

Made in CZECH REPUBLIC by ROBE LIGHTING s.r.o. Palackeho 416/20 CZ 75701 Valasske Mezirici