

EMINERE® REMOTE 1 / 2 / 3 / 4

The newest member of the Eminere product range, Eminere Remote extends our series of linear architectural fixtures into further application possibilities using only low voltage for higher safety restrictions. Available in four sizes, ranging from 1 to 4 feet, Eminere Remote follows the identical optical and performance features of our other established and proven Eminere fixtures. Design-wise, Eminere Remote brings all of today's technology into an elegant and slim body, but is still very robust with an IP67 rating to withstand the harshest environments.



KEY FEATURES

Optic & Control

Output up to 1.147 lm (RGBW) or 1.652 lm (PW) per one foot of Eminere. With a wide range of optics for limitless fixture applications, Eminere Remote can also be operated in pixel (12 LEDs) or fixture modes, and its low-input voltages allow the luminaire to be used in applications with higher safety restrictions.

Compact design

At only 39 mm of total height, Eminere Remote is the thinnest lighting solution in our Eminere series and has been designed as a compact and slim LED luminaire suitable for any low-profile application.

Durability

Thanks to its tempered glass and high-pressure, extruded aluminum housing, Eminere Remote is IK06 and IP67 certified. For more extreme and marine applications, a harsh environment finish option is also available.

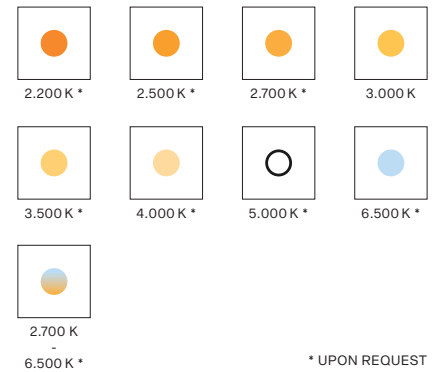
COLOURS



CONTROL & PROTOCOLS

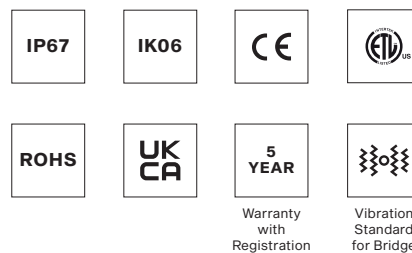


COLOUR TEMPERATURE



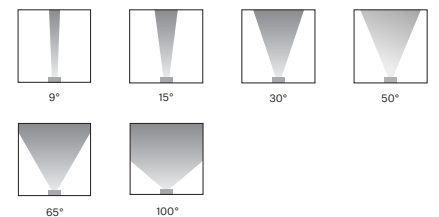
* UPON REQUEST

STANDARD & SPECIFICATION

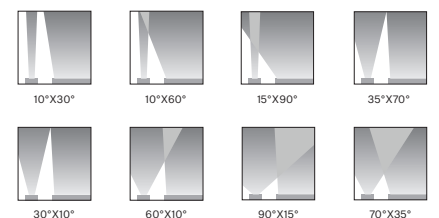


OPTIC OPTIONS

SYMMETRICAL



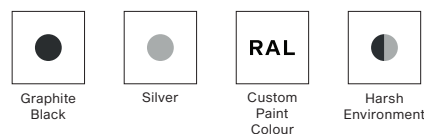
BI-SYMMETRICAL



ASYMMETRICAL



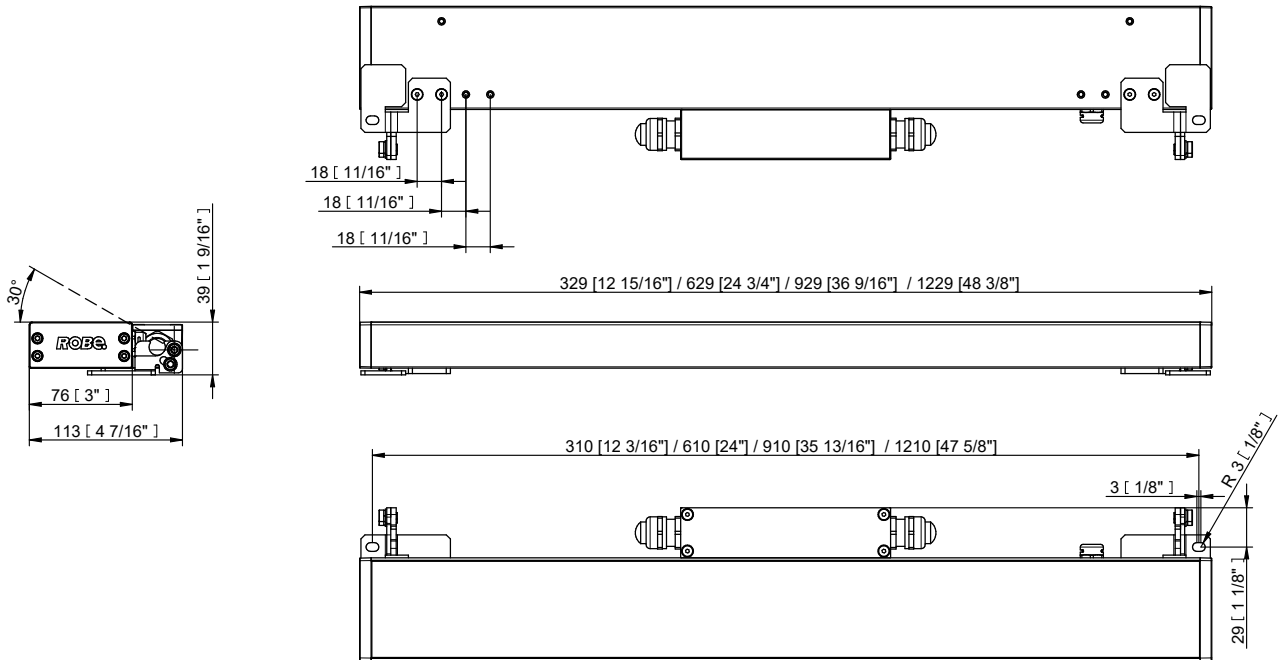
FINISH OPTIONS



EMINERE REMOTE SPECIFICATION

ELECTRICAL	Input Voltage	48 V			
	Typical Power Consumption	Eminere Remote 1: 20 W		Eminere Remote 2: 40 W	
		Eminere Remote 3: 60 W		Eminere Remote 4: 80 W	
OPTICAL	Light Source	12, 24, 36, 48 x High Power Single Chip LEDs			
	Colour Variants	RGBW (W - 6.500 K)		RGBA	PW (W - 3.000 K)
		Variants On Request: (TW (2700 - 6500 K) 2.200 K 2.500 K 2.700 K 3.500 K 4.000 K 5.000 K 6.500 K)			
	Beam Angle	Symmetrical:	9° 15° 30° 50° 65° 100°		
		Bi-symmetrical:	10° x 30° 30° x 10° 10° x 60° 60° x 10° 35° x 70° 70° x 35° 15° x 90° 90° x 15°		
		Asymmetrical:	Wallwasher Wide Wallwasher		
	Lumen Output Delivered	Eminere Remote 1: 1.147 lm, RGBW @ 9°		Eminere Remote 2: 2.294 lm, RGBW @ 9°	
Eminere Remote 3: 3.441 lm, RGBW @ 9°		Eminere Remote 4: 4.588 lm, RGBW @ 9°			
Projected Lumen Maintenance	L90B10 >90.000 hrs, Ta = 25°C / 77°F				
CONTROL	Interface Protocol	Via E-Box Remote range			
	E-Box Remote Control Protocols	USITT DMX512, RDM, ArtNet, MA Net, MA Net2, sACN, Kling-Net			
	Operating Modes	Pixel (12 LEDs/300mm) or Fixture mode			
	Setting / Addressing	Via Two Row LCD Display with Control Buttons on E-Box Remote or RDM communicator			
	Power Supply	Via E-Box Remote range			
	Connectivity	E-box Remote	16 pcs of Eminere Remote 1 (50m cable - total length) via 1 Output,		
		E-box Remote Basic	20 pcs in total for both Outputs (25m cable - total length)		
PHYSICAL	Width x Height x Length	Eminere Remote 1		113 x 39 x 329 mm (4.45 x 1.54 x 12.95 in.)	
		Eminere Remote 2		113 x 39 x 629 mm (4.45 x 1.54 x 24.76 in.)	
		Eminere Remote 3		113 x 39 x 929 mm (4.45 x 1.54 x 36.57 in.)	
		Eminere Remote 4		113 x 39 x 1229 mm (4.45 x 1.54 x 48.39 in.)	
	Weight	2 kg 4.41 lbs	3.1 kg 6.83 lbs	4.1 kg 9.04 lbs	5.1 kg 11.24 lbs
Housing	High Pressure Extruded Aluminium Body End Caps - Die-Cast Aluminium Tempered Glass				
Finish Options	Standard Colour	Graphite Black (RAL 9011) Silver (RAL 9006)			
	Cost Option	Custom RAL Harsh Environment (RAL 9016, RAL 9011)			
Cables / Connections	Integrated Junction Box				
Mounting Method	Surface Mount With Different Type of Brackets				
Adjustability	+30°				
Protection Factor	IP67 / Suitable For Wet Locations				
IK Rating	IK06				
Cooling System	Convection				
Operating Ambient Temperature	-20 °C / +40 °C (-4 °F / +104 °F)				
Operating Temperature	+67 °C @ Ambient +40 °C (+153 °F @ Ambient +104 °F)				
CERTIFICATION	Listings	ETL / cETL, CE, RoHS, UKCA			
ACCESSORIES	Not Included Items				
	Mounting Brackets	Cabel for Eminere Remote - bare end (custom length)			
		Mounting Brackets 100 200 300 mm custom length			
		Wall Mount Brackets for Eminere Remote			
		Re-enterable Electrical Insulating Resin			
Shields	Shield For Eminere Remote 1 2 3 4				

DIMENSIONS

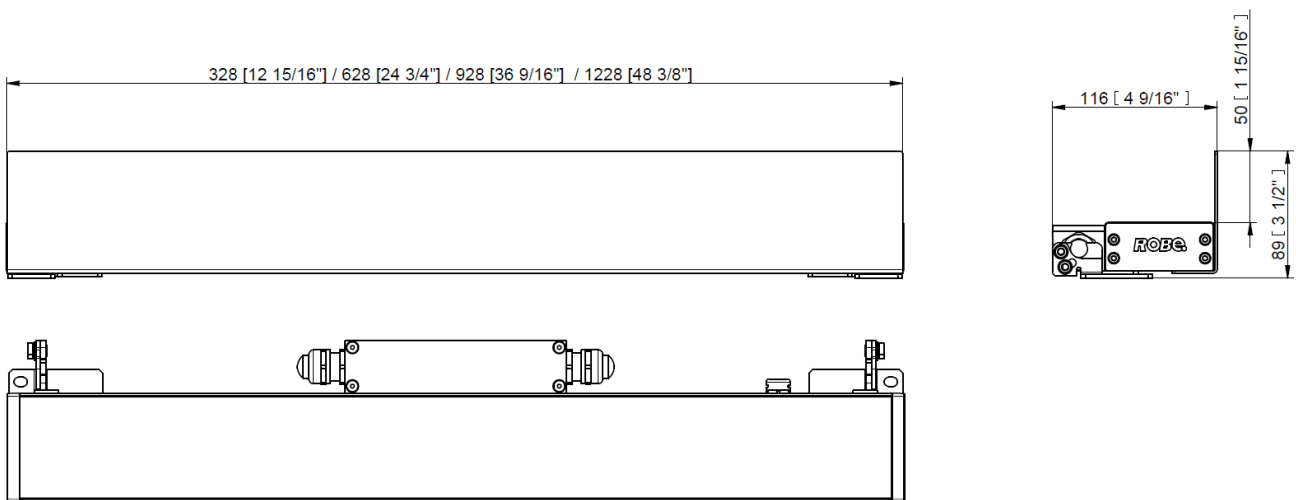


PROJECTED AREA

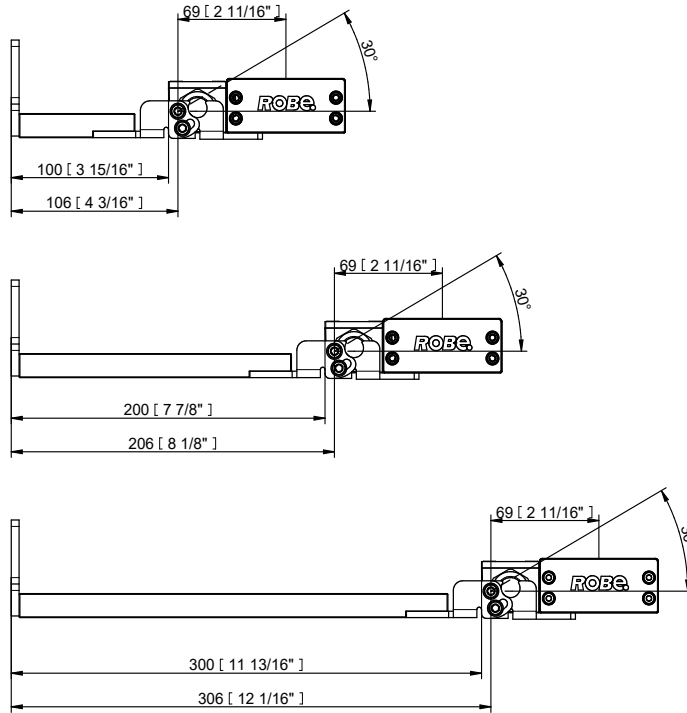
	Front (rear) - m ²	Front (rear) ft ²	Side - m ²	Side - ft ²	Top - m ²	Top - ft ²
Eminere Remote 1 with Shield	0,012 0,029	0,129 0,312	0,004 -	0,043 -	0,035 0,036	0,377 0,387
Eminere Remote 2 with Shield	0,022 0,055	0,237 0,592	0,004 -	0,043 -	0,058 0,059	0,624 0,635
Eminere Remote 3 with Shield	0,032 0,080	0,344 0,861	0,004 -	0,043 -	0,081 0,083	0,871 0,893
Eminere Remote 4 with Shield	0,042 0,106	0,452 1,140	0,004 -	0,043 -	0,104 0,106	1,119 1,140

ACCESSORIES

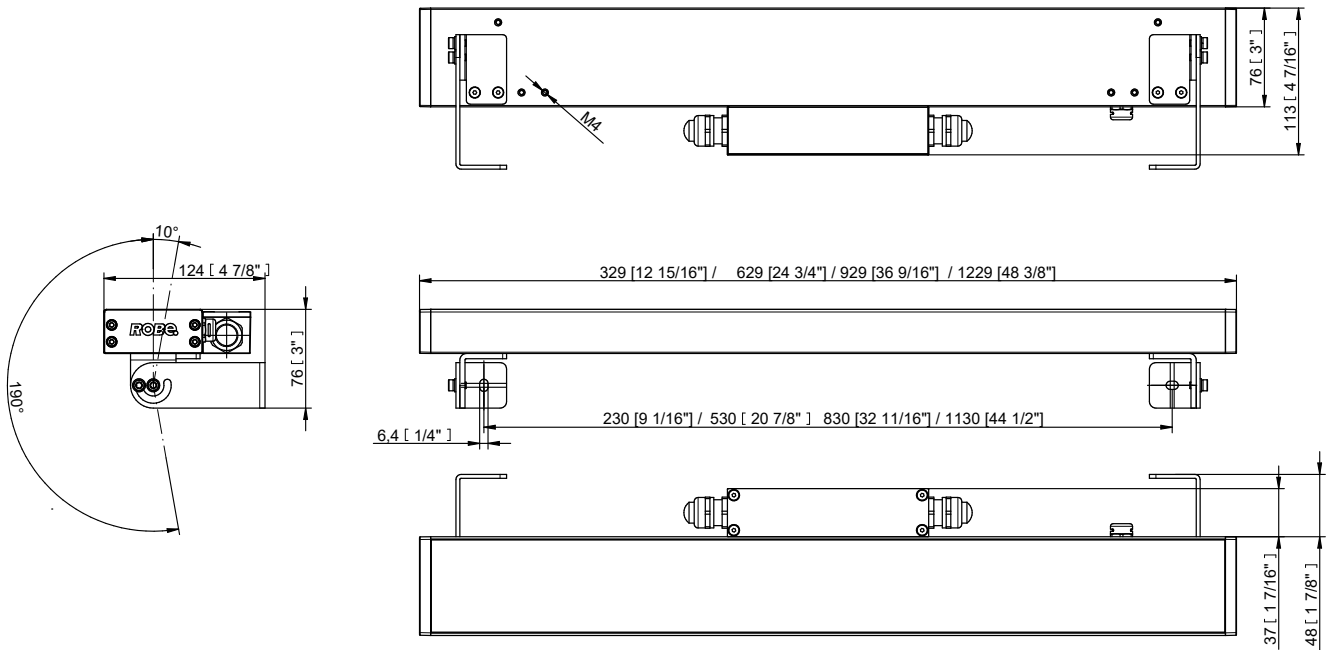
Shield for Eminere Remote



Mounting brackets

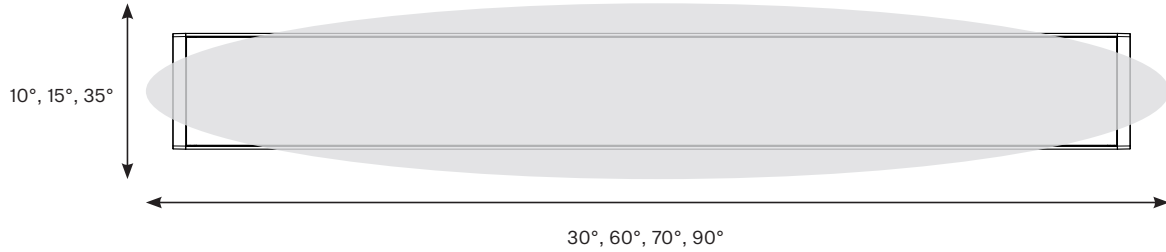


Wall mount Brackets

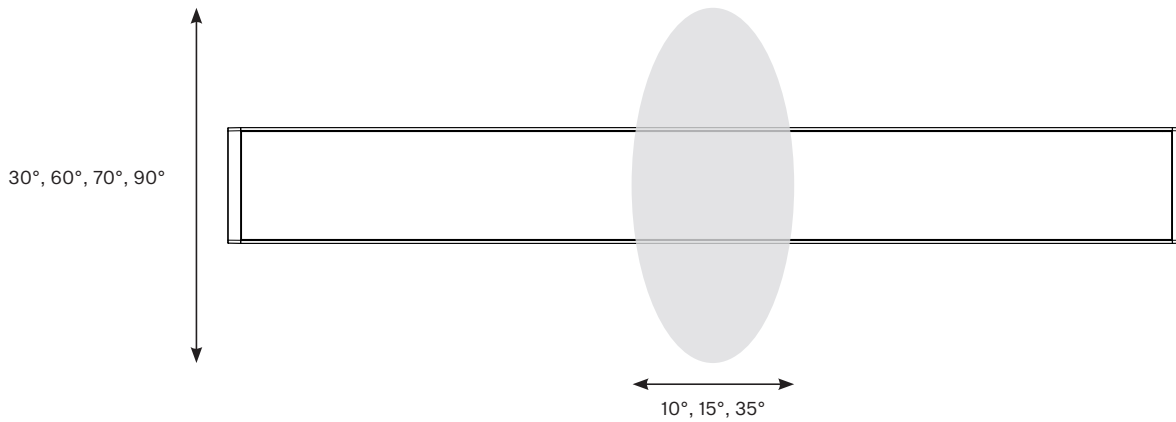


BI-SYMMETRICAL BEAM ANGLES

Bi-symmetrical: 10°x30°, 10°x60°, 35°x70°, 15°x90°



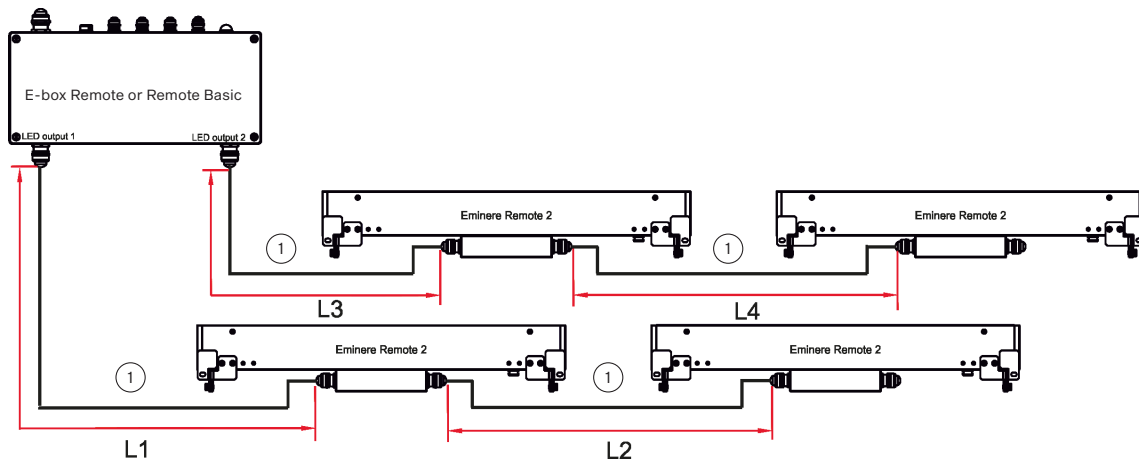
Bi-symmetrical: 30°x10°, 60°x10°, 70°x35°, 90°x15°



CONNECTION

The table states max. number of Eminere Remote modules connected to the E-box Remote or Remote Basic.

Cable length (m)	Max. number of Emineres Remote connected to the E-Box Remote or Remote Basic			
	EMINERE REMOTE 1	EMINERE REMOTE 2	EMINERE REMOTE 3	EMINERE REMOTE 4
25	20	10	6	5
50	16	8	5	4
75	13	6	4	3
100	10	5	3	2



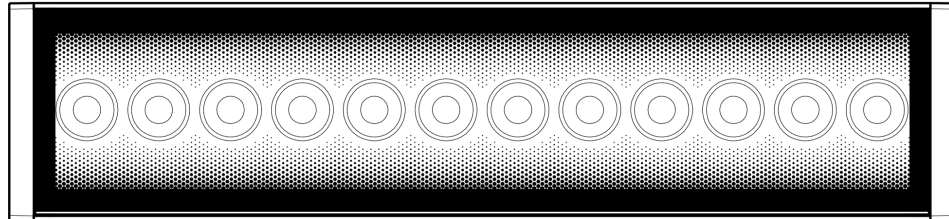
1) SJTW 5x 14AWG (13053336)

* Cable length is a total cable length between E-box Remote (or Remote Basic) and last connected Eminere Remote. Example: Total cable length=L1+L2+L3+L4

COLOUR MIXING PRINTS

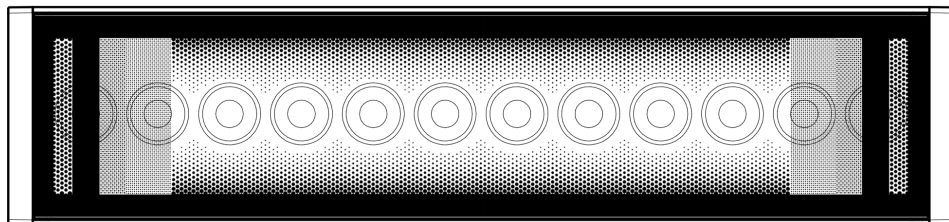
STAND ALONE Specially designed glass printing to achieve optimal colour mixing and intensity distribution.

HEAD2HEAD Fixtures without special end glass print installed right next to each other create absolutely perfect colour and intensity overlap.

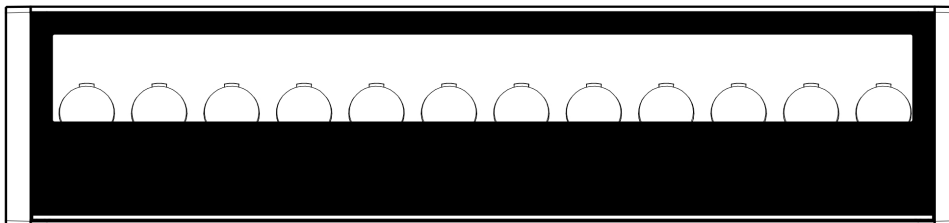


HEAD2HEAD

SYMMETRICAL

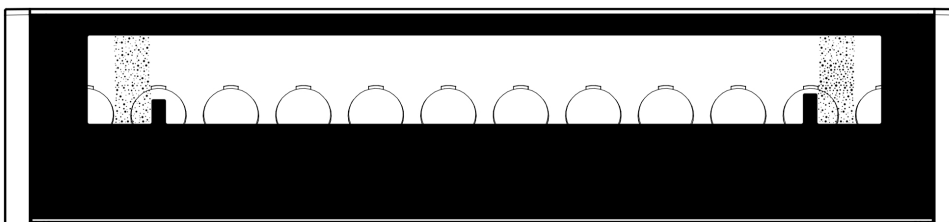


STAND ALONE



HEAD2HEAD

WALLWASHER



STAND ALONE

Note: Applies for RGBW, RGBA versions. Pure white and Tunable white versions are always without the end print (no matter on their position to other fixture).

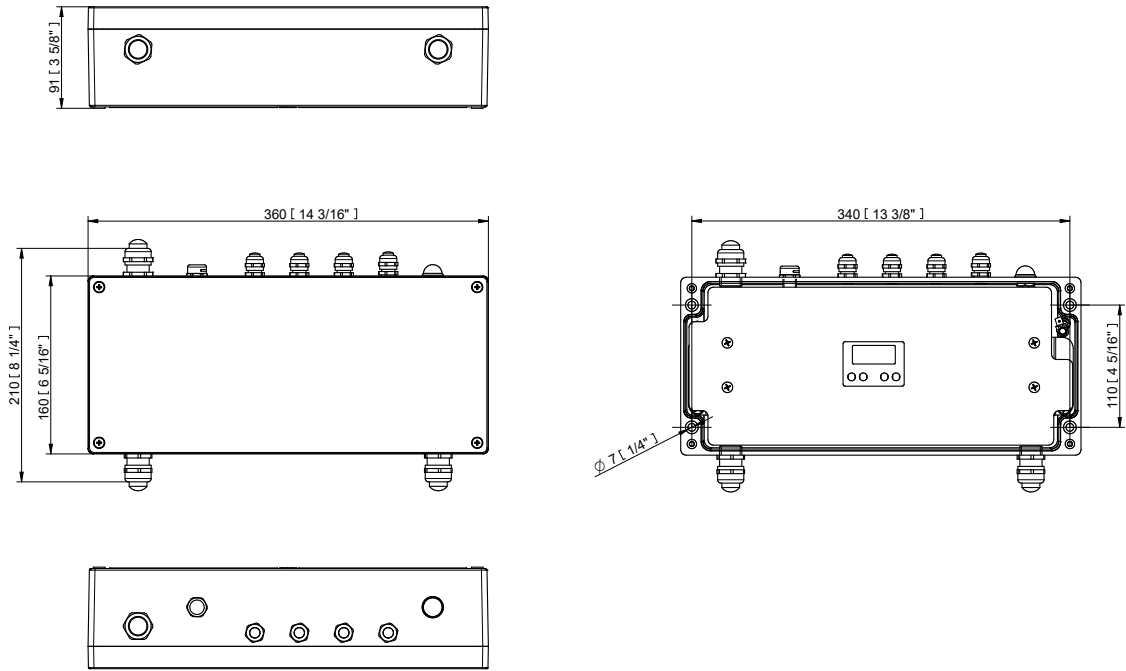
E-BOX REMOTE SPECIFICATION

ELECTRICAL	Input Voltage	120 – 277 V AC 50/60 Hz
	Typical Power Consumption	520 W
CONTROL	Wireless DMX (Option)	Lumen Radio CRMX Technology
	Interface Protocol	USITT DMX512+RDM, ArtNet, MA Net, MA Net2, sACN, Kling-Net
	Operating Modes	Fixture Mode, Pixel Mode, Output Mode
	Display	Via Two Row LCD Display with Control Buttons or RDM communicator
	Control System	E-box With Self Addressing Feature or Custom Setting Via LCD Display/RDM
	Power Supply	Integrated in E-box Remote
	Connectivity	16 pcs of Eminere Remote 1 (50m cable - total length) via 1 Output, 20 pcs in total for both Outputs (25m cable - total length)
	PHYSICAL	Length x Width x Height Weight
	Number of LED Output zones	2
	Max. Load Per Output	16 pcs of Eminere Remote 1 (50m cable) via 1 Output
	Cable Length per E-Box	Max. 25 m (@ 20 pcs) Max. 50 m (@ 16 pcs) Max. 75 m (@ 13 pcs) Max. 100 m (@ 10 pcs)
	Housing	Die-Cast Aluminium Case
	Finish Options	Standard Colour - Graphite Black (RAL 9011) Silver (RAL 9006) Cost Option - Custom RAL Harsh Environment (RAL 9016, RAL 9011)
	Cables / Connections	Cable Grommet (stainless steel)
	Mounting Method	Surface Mount, 4 Mounting Holes
	Protection Factor	IP65 / Suitable For Wet Locations
	IK Rating	IK10
	Cooling System	Convection
	Operating Ambient Temperature	-20 °C / +40 °C (-4 °F / +104 °F)
CERTIFICATION	Listings	ETL / cETL, CE, RoHS, UKCA

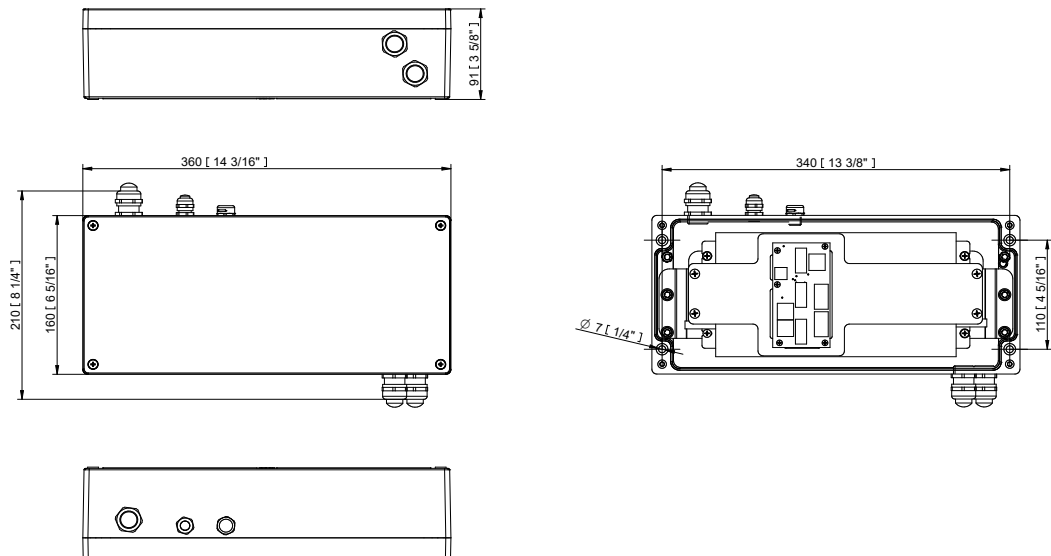
E-BOX REMOTE BASIC SPECIFICATION

ELECTRICAL	Input Voltage	120 - 277 V AC 50/60 Hz
	Typical Power Consumption	520 W
CONTROL	Power supply	Integrated
	Connectivity	16 pcs of Eminere Remote 1 (50m cable - total length) via 1 Output, 20 pcs in total for both Outputs (25m cable - total length)
PHYSICAL	Length x Width x Height Weight	360 x 210 x 91 mm (14.17 x 8.27 x 3.58 in.) 5 kg / 11.02 lbs
	Number of LED Output zones	2
	Max. Load Per Output	16 pcs of Eminere Remote 1 (50 m cable) via 1 Output
	Cable Length per E-Box	Max. 25 m (@ 20 pcs) Max. 50 m (@ 16 pcs) Max. 75 m (@ 13 pcs) Max. 100 m (@ 10 pcs)
	Housing	Die-Cast Aluminium Case
	Finish Options	Standard Colour - Graphite Black (RAL 9011) Silver (RAL 9006) Cost Option - Custom RAL, Harsh Environment (RAL 9016, RAL 9011)
	Cables / Connections	Cable Grommet (stainless steel)
	Mounting Method	Surface Mount, 4 Mounting Holes
	Protection Factor	IP65 / Suitable For Wet Locations
	IK Rating	IK10
	Cooling System	Convection
	Operating Ambient Temperature	-20 °C / +40 °C (-4 °F / +104 °F)
	CERTIFICATION	Listings

E-BOX REMOTE DIMENSIONS

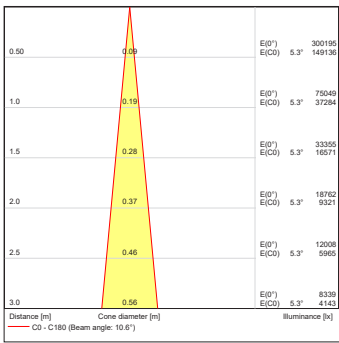
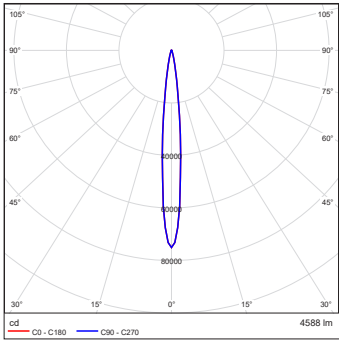


E-BOX REMOTE BASIC DIMENSIONS

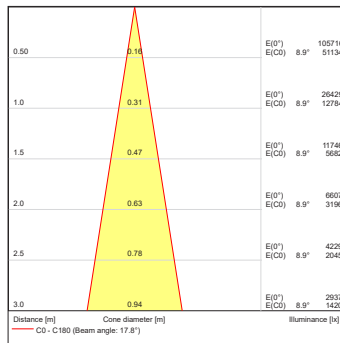
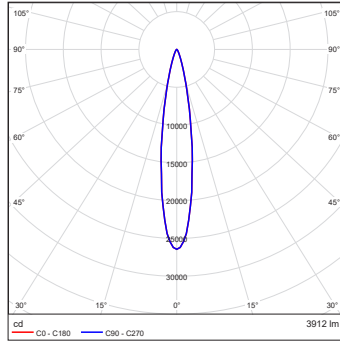


PHOTOMETRIC DATA

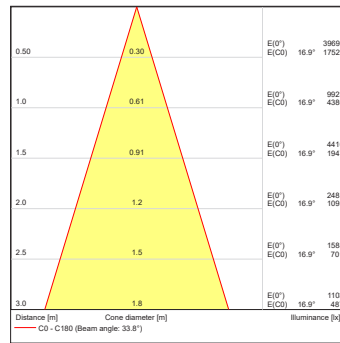
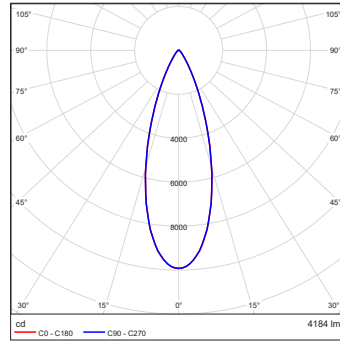
Eminere Remote 4 RGBCW 9dg



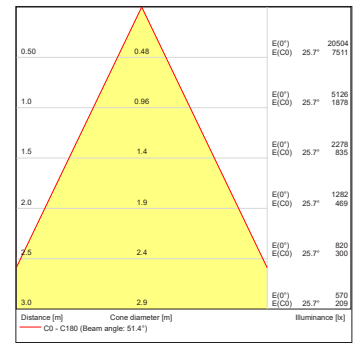
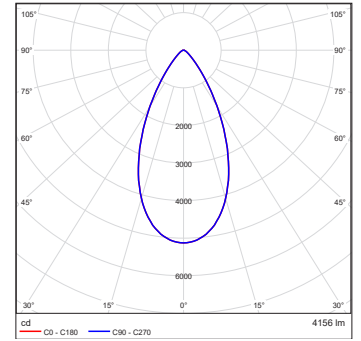
Eminere Remote 4 RGBCW 15dg



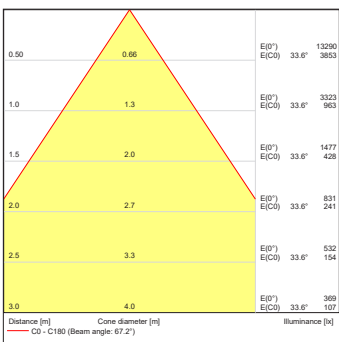
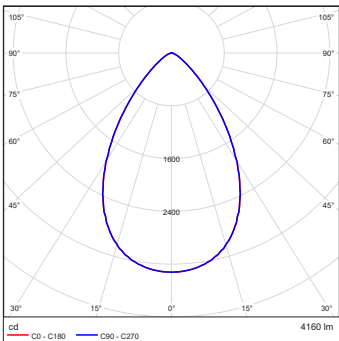
Eminere Remote 4 RGBCW 30dg



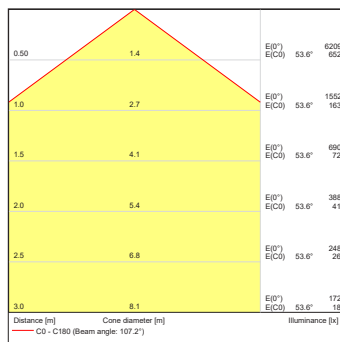
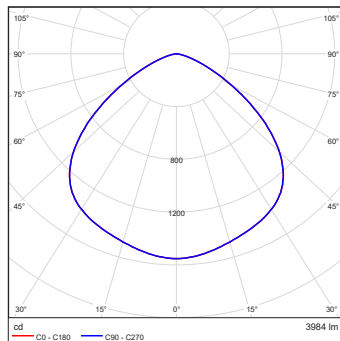
Eminere Remote 4 RGBCW 50dg



Eminere Remote 4 RGBCW 65dg

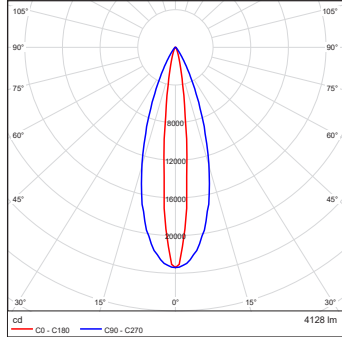


Eminere Remote 4 RGBCW 100dg

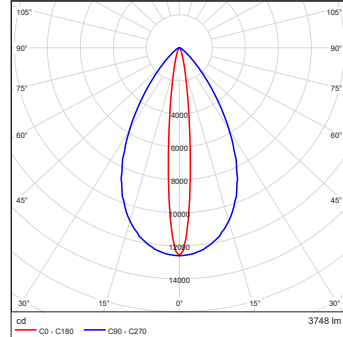


PHOTOMETRIC DATA

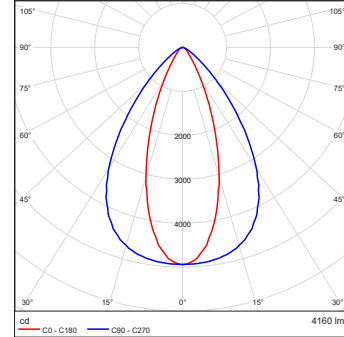
Eminere Remote 4 RGBCW
10dg x 30dg



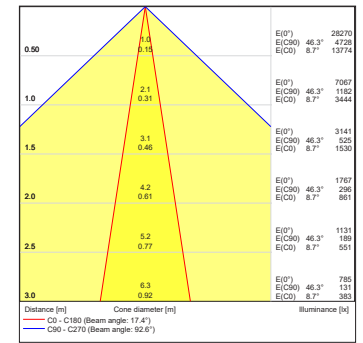
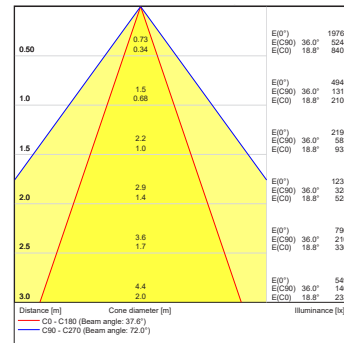
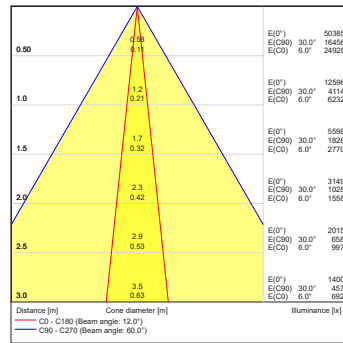
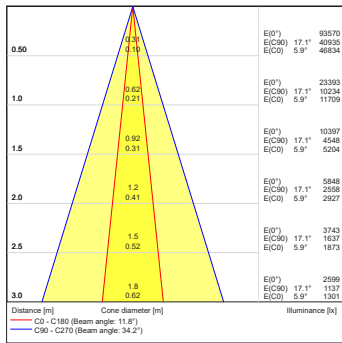
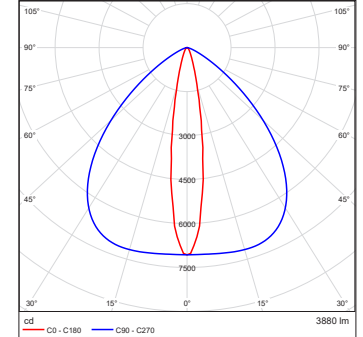
Eminere Remote 4 RGBCW
10dg x 60 dg



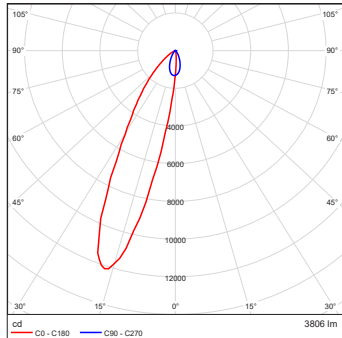
Eminere Remote 4 RGBCW
35dg x 70dg



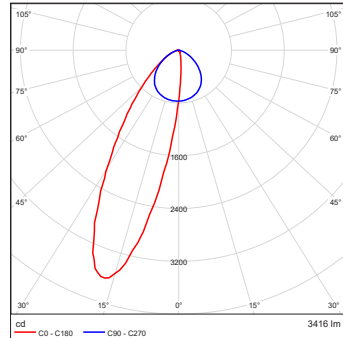
Eminere Remote 4 RGBCW
15dg x 90dg



Eminere Remote 4 RGBCW Wall-
Washer



Eminere Remote 4 RGBCW Wide
WallWasher



PHOTOMETRIC OVERVIEW

Based on RGBW version, all leds @ full

	Lumen Output (lm)			
	EMINERE 1	EMINERE 2	EMINERE 3	EMINERE 4
9°	1147	2294	3441	4588
15°	978	1956	2910	3912
30°	1046	2092	3138	4184
50°	1039	2078	3117	4156
65°	1040	2080	3120	4160
100°	996	1992	2988	3984
10° x 30°	1032	2064	3096	4128
10° x 60°	1051	1874	2811	3748
15° x 90°	970	1940	2934	3880
35° x 70°	1040	2080	3120	4160
WallWasher	952	1904	2856	3806
Wide WallWasher	854	1708	2562	3416