

CALUMMA™ L SC

Featuring an optical design using 85 high efficacy single-chip LEDs and available with optional LED colour variants and various beam angles, the large-sized Calumma L SC luminaire creates powerful and beautiful light output for a spot, accent or flood lighting solution. Its durable housing is built to withstand any exterior conditions, and its special finish for harsh and marine environments provides an exceptional outdoor LED luminaire in an elegant design. Additionally, Calumma L SC can be connected in long In/Out daisy-chains via an E-Box and hybrid Plug & Play connections for almost effortless installation. Complemented by wide range of accessories and control protocols, this luminaire is an effective and versatile unit to get the most out of architectural lighting applications.



KEY FEATURES

Lumen output & Light source

Luminaire with 85 high-power, singlechip LEDs provides up to 7900 lumen output. Multiple LED colour variants. No light spills. Well homogenised light output with great efficacy up to 60 lm/w.

Design & Durability

Compact, durable and stylish housing made of high-pressure die cast aluminium. IP67 and IK10 certification; suitable for marine and traffic applications. Supported with a 5 year-warranty.

Flexibility

Exceptional outdoor or indoor LED luminaire with a wide range of accessories, custom colour finishes, multiple light output variants and beam angles.

Connectivity

Utilising the innovative E-Box series of power and data interfaces, Calumma L SC can communicate via numerous wired, wireless, and Ethernet based control protocols. Various wiring topologies are supported using hybrid power / data cables with Plug & Play connectors or standard connection options.

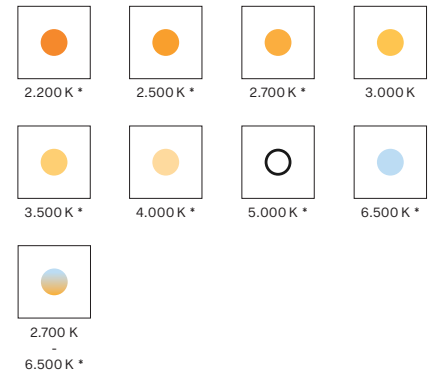
COLOURS

* UPON REQUEST



COLOUR TEMPERATURE

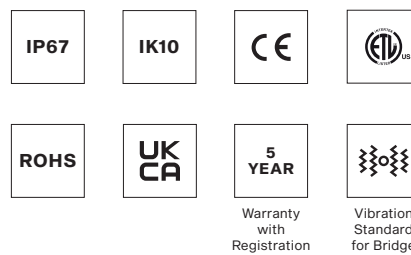
* UPON REQUEST



CONTROL & PROTOCOLS



STANDARD & SPECIFICATION

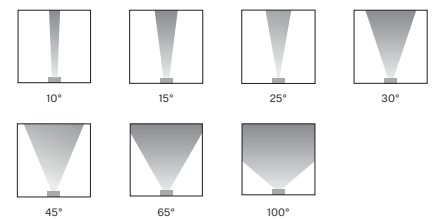


FINISH OPTIONS

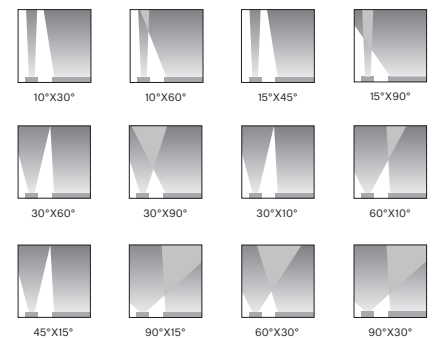


OPTIC OPTIONS

SYMMETRICAL



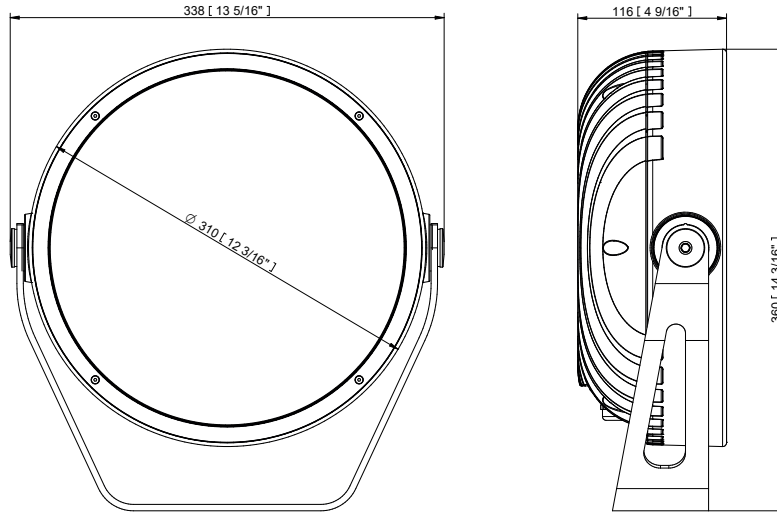
BI-SYMMETRICAL



CALUMMA L SC SPECIFICATION

| | | | |
|--------------------|-------------------------------|--|---|
| ELECTRICAL | Input Voltage | 120 - 277 V AC 50/60 Hz (US) | |
| | Typical Power Consumption | 130W +/-10 % | |
| OPTICAL | Light Source | High Power Single Chip LEDs | |
| | Colour Variants | RGBW (W - 6500 K) RGBA PW (W - 3000 K) | |
| | | Other Variants On Request (TW (2700 - 6500 K), 2200 K, 2500 K, 2700 K, 3500 K, 4000 K, 5000 K, 6500 K) | |
| | Beam Angle | 10° 15° 25° 30° 45° 65° 100° | |
| | | 10°x30° 30°x10° 10°x60° 60°x10° 15°x45° 45°x 15° 15°x90° 90°x15° 30°x60° 60°x30° 30°x90° 90°x30° | |
| | Lumen Output Delivered | 7900 lm (@ 10°, RGBW) | |
| | Projected Lumen Maintenance | L90B10 >90.000 hrs, Ta = 25°C / 77°F | |
| CONTROL | Interface Protocol | Via E-box range, DMX/RDM, wireless DMX, DALI 2 or ON/OFF | |
| | E-box control protocol | USITT DMX512+RDM, ArtNet, MA Net, MA Net2, sACN, Kling-Net | |
| | DALI 2 Device Type | DT 8 | |
| | Wireless DMX (Option) | Lumen Radio CRMX Technology | |
| | Control System | Third Party DMX Controllers or third party DALI 2 controllers, Ethernet | |
| | Operating Modes | DMX, Stand-alone | |
| | Settings / Addressing | E-Box, RDM communicator | |
| | Power Supply | Integrated | |
| | | Width x Height x Depth | 338 x 360 x 116 mm (13.31 x 14.13 x 4.57 in.) |
| | Weight | 9.7 kg 21.38 lbs | |
| | Housing | High Pressure Die-Cast Aluminium Body Tempered Glass | |
| | Finish Options | Standard Colour - Graphite Black (RAL 9011) Silver (RAL 9006) Cost Option - Custom RAL Harsh Environment (RAL 9016, RAL 9011) | |
| PHYSICAL | Cables / Connections | IN/OUT (for E- Box version): - 0,5 m cables with hybrid connectors - Jumper cables | IN (for DMX, DALI): - 1 m cable with bare-end - Other cable length - custom - Junction box - optional |
| | Mounting Method | Yoke | |
| | Adjustability | +180° / -180° | |
| | Protection Factor | IP67 / Suitable For Wet Locations | |
| | IK Rating | IK10 | |
| | Cooling System | Convection | |
| | Operating Ambient Temperature | -20 °C / +40 °C (-4 °F / +104 °F) | |
| | CERTIFICATION | Listings | ETL / cETL, CE, RoHS, UKCA |
| ACCESSORIES | | Junction Box for Calumma | |
| | | Optical Demo Set for Calumma L | |
| | | Top Hat Calumma L | |
| | | Half Top Hat Calumma L | |
| | | Tenon Adaptor for Calumma L | |
| | | Floor stand for Calumma L, XL Pole Adaptor (ø 102mm) | |

DIMENSIONS

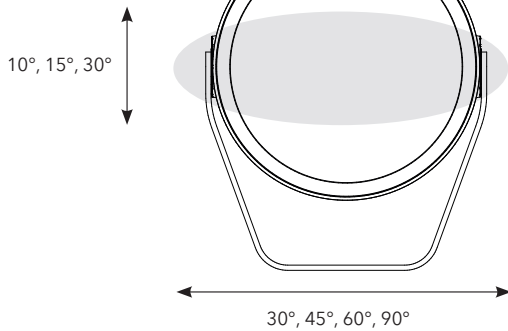


PROJECTED AREA

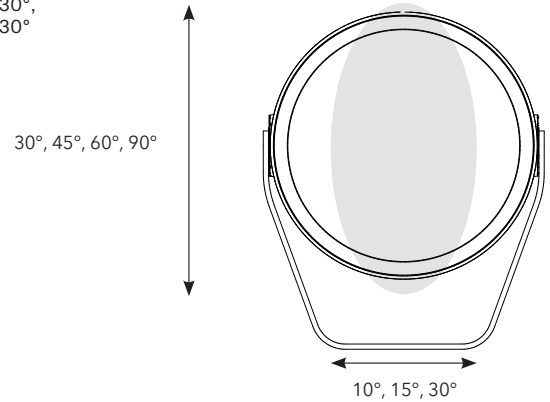
| | Front (rear) - m ² | Front (rear) ft ² | Side - m ² | Side - ft ² | Top - m ² | Top - ft ² |
|--------------------------|-------------------------------|------------------------------|-----------------------|------------------------|----------------------|-----------------------|
| Calumma L | 0,080 | 0,861 | 0,037 | 0,398 | 0,035 | 0,373 |
| with Top Hat | 0,080 | 0,861 | 0,087 | 0,936 | 0,085 | 0,911 |
| with Half Top Hat | 0,080 | 0,861 | 0,059 | 0,635 | 0,082 | 0,882 |

BI-SYMMETRICAL BEAM ANGLES

Bi-symmetrical:
10°x30°,
10°x60°,
15°x45°,
15°x90°,
30°x60°,
30°x90°



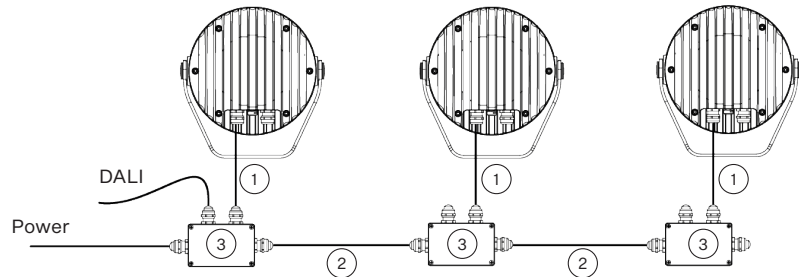
Bi-symmetrical:
30°x10°,
60°x10°,
45°x15°,
90°x15°,
60°x30°,
90°x30°



CONTROL AND CONNECTION OPTIONS - CE

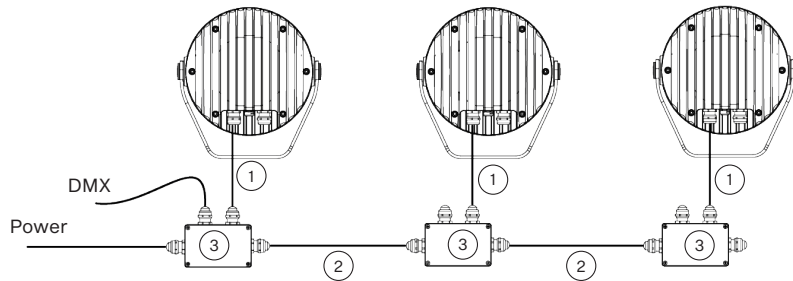
DALI

- 1) SJTW 5x 14AWG (1305 3336)
Standard 1 m with bare-end
- 2) SJTW 5x 14AWG (1305 3336)
or Scope of Others
- 3) Junction Box for Calumma



DMX

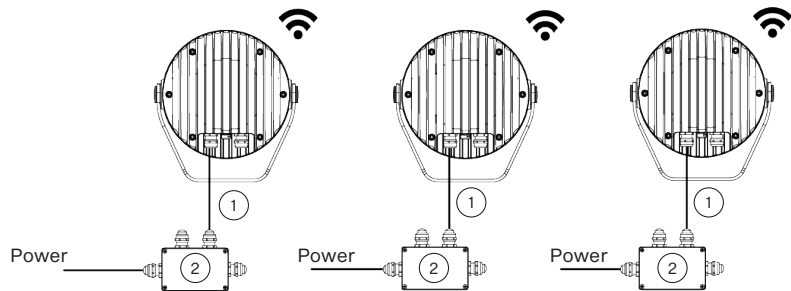
- 1) Flamar 3x AWG 16 + 1 x (2x AWG 24)
Standard 1 m with bare-end
(1305 1508)
- 2) Flamar 3x AWG 16 + 1 x (2x AWG 24)
(1305 1508)
or Scope of Others
- 3) Junction Box for Calumma



WIRELESS DMX

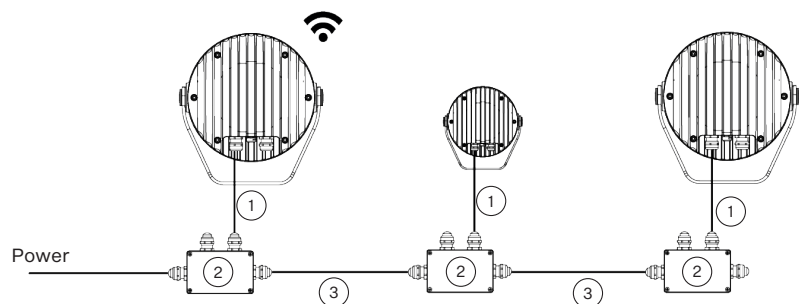
- 1) Flamar 3x AWG 16 + 1 x (2x AWG 24)
(1305 1508), Standard 1 m bare-end
- 2) Junction Box for Calumma

Note: This type of connection is available for M, L, XL versions.



- 1) Flamar 3x AWG 16 + 1 x (2x AWG 24)
(1305 1508), Standard 1 m bare-end
- 2) Junction Box for Calumma
- 3) Flamar 3x AWG 16 + 1 x (2x AWG 24)
(1305 1508)
or Scope of Others

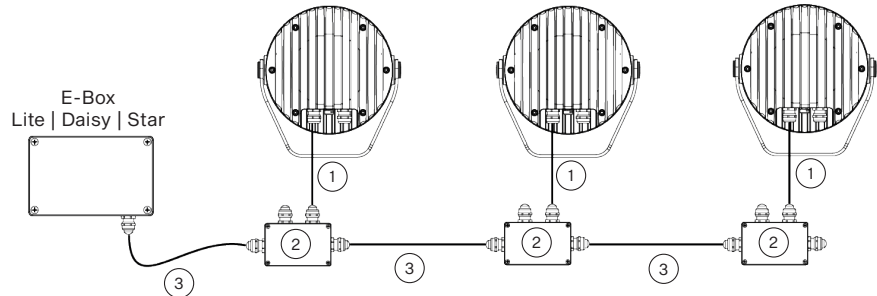
Note: This type of connection must have M, L or XL versions as the first luminaire. Next luminaires in a row could be chosen from S, M, L or XL versions.



CONTROL AND CONNECTION OPTIONS - CE

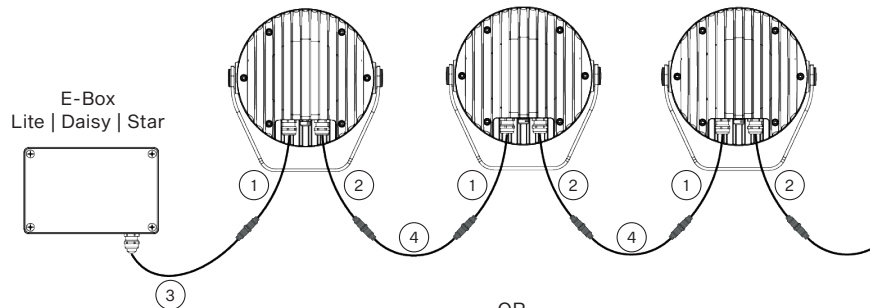
DMX or ETHERNET via E-BOX

- 1) Flamar 3x AWG 16 + 1x (2x AWG 24)
(1305 1508), Standard 1 m with bare-end
- 2) Junction Box for Calumma
- 3) Flamar 3x AWG 16 + 1x (2x AWG 24)
(1305 1508)
or Scope of Others



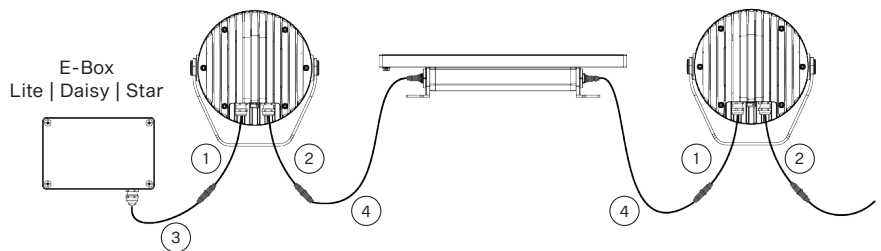
Note: This type of connection is available for S, M, L, and XL versions. E-Box has to be in Pass Through mode only.

- 1) Leader Cable MM (13053493)
Standard 0,5 m with hybrid connector
- 2) Leader Cable MF (13053494)
Standard 0,5 m with hybrid connector
- 3) Leader Cable FF 2 m (13053438)
Leader Cable FF 5 m (13053440)
Leader Cable FF 10 m (13053436)
Leader Cable FF 25 m (13053437)
Leader Cable FF 50 m (13053439)



OR

- 4) Jumper Cable FF/FM 0,25 m (13053422)
Jumper Cable FF/FM 0,5 m (13053423)
Jumper Cable FF/FM 1 m (13053425)
Jumper Cable FF/FM 2 m (13053427)
Jumper Cable FF/FM 3 m (13053428)
Jumper Cable FF/FM 5 m (13053430)
Jumper Cable FF/FM 10 m (13053424)

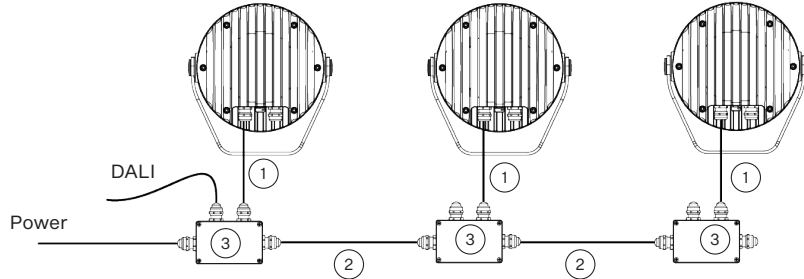


Note: With this type of connection is possible to connect Calumma (M, L, XL) and Eminere (Eminere, Eminere Side) luminaires in a row.

CONTROL AND CONNECTION OPTIONS - US

DALI

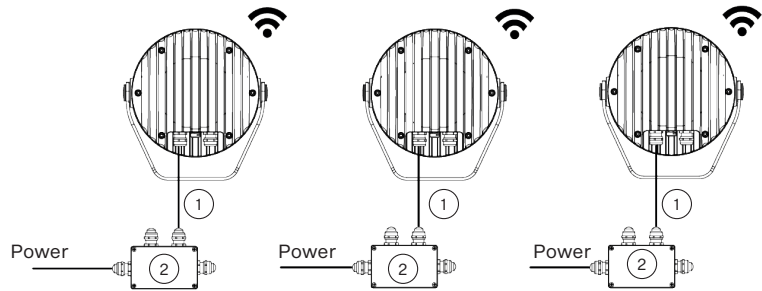
- 1) SJTW 5x 14AWG (1305 3336)
Standard 1 m with bare-end
- 2) SJTW 5x 14AWG (1305 3336)
or Scope of Others
- 3) Junction Box for Calumma



WIRELESS DMX

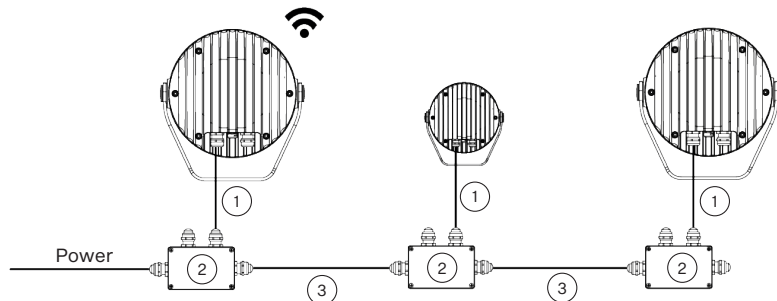
- 1) SJTW 6x 14AWG (1305 3480),
Standard 1 m with bare-end
- 2) Junction Box for Calumma

Note: This type of connection is available for M, L, XL versions



- 1) SJTW 6x 14AWG (1305 3480)
Standard 1 m with bare-end
- 2) Junction Box for Calumma
- 3) SJTW 6x 14AWG (1305 3480)
or Scope of Others

Note: This type of connection must have M, L or XL versions as the first luminaire. Next luminaires in a row could be chosen from S, M, L or XL versions.

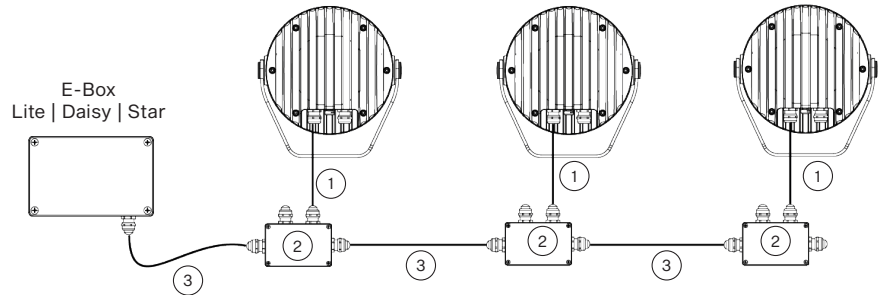


CONTROL AND CONNECTION OPTIONS - US

DMX or ETHERNET via E-BOX

- 1) SJTW 6x 14AWG (1305 3480)
Standard 1 m with bare-end
- 2) Junction Box for Calumma
- 3) SJTW 6x 14AWG (1305 3480)
or Scope of Others

Note: This type of connection is available for S, M, L, and XL versions. E-Box has to be in Pass Through mode only.



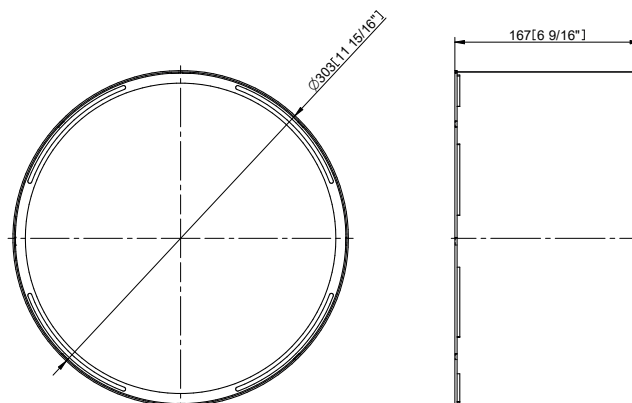
CONNECTIVITY

Following table shows maximum connected Calummas L SC in a row with respect of cable length.

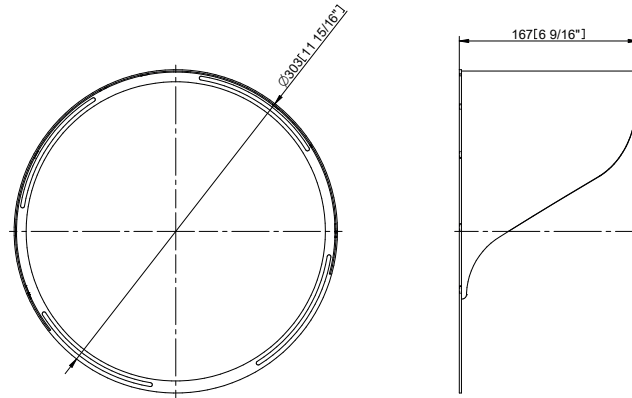
| | Cable length (m) | Voltage (V) | | | |
|--------------|------------------|-------------|-----|-----|-----|
| | | 120 | 190 | 230 | 277 |
| CALUMMA L SC | 10 | 14 | 22 | 27 | 32 |
| | 20 | 14 | 22 | 27 | 32 |
| | 30 | 10 | 22 | 27 | 32 |
| | 50 | 6 | 15 | 22 | 32 |
| | 70 | 4 | 11 | 16 | 23 |
| | 100 | 3 | 7 | 11 | 16 |
| | 200 | 1 | 4 | 5 | 8 |

ACCESSORIES

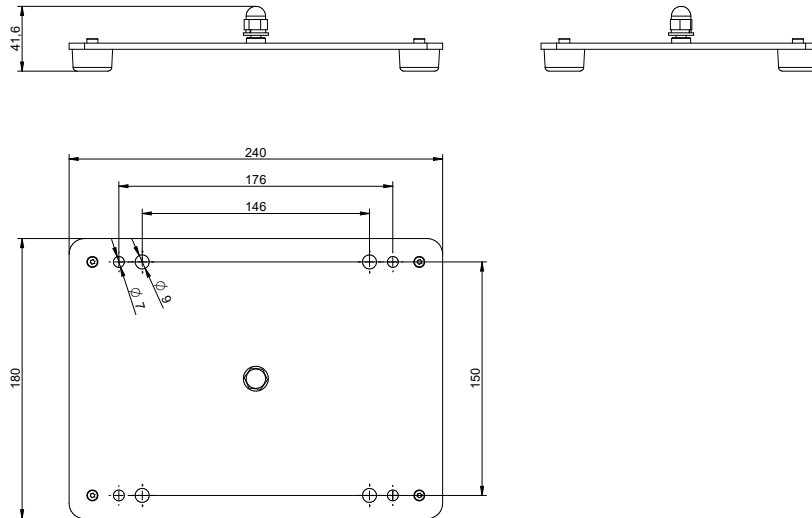
Top Hat



Half Top Hat



Floor Stand



PHOTOMETRIC OVERVIEW

Lumen Output (lm)

| | RGBCW (W 6500 K) | RGBA | WW (W 3000 K) |
|----------------------|------------------|------|---------------|
| 10° | 7900 | 5539 | 9779 |
| 15° | 7198 | 5047 | 8910 |
| 25° | 7035 | 4933 | 8708 |
| 30° | 6905 | 4842 | 8548 |
| 45° | 7051 | 4944 | 8728 |
| 65° | 6912 | 4847 | 8556 |
| 100° | 6998 | 4907 | 8663 |
| 10° x 30°, 30° x 10° | 6951 | 4874 | 8604 |
| 10° x 60°, 60° x 10° | 6917 | 4850 | 8562 |
| 15° x 45°, 45° x 15° | 7216 | 5060 | 8933 |
| 30° x 60°, 60° x 30° | 6876 | 4821 | 8512 |
| 30° x 90°, 90° x 30° | 6481 | 4544 | 8023 |
| 15° x 90°, 90° x 15° | 6805 | 4772 | 8424 |