

# CALUMMA™ S SC

Featuring an optical design using nineteen high efficacy singlechip LEDs and available with optional LED colour variants and various beam angles, the small-sized Calumma S SC luminaire creates powerful and beautiful light output for a spot, accent or flood lighting solution. Its durable housing is built to withstand any exterior conditions, and its special finish for harsh and marine environments provides an exceptional outdoor LED luminaire in an elegant design. Complemented by wide range of accessories, control protocols and connection options, this luminaire is an effective and versatile unit to get the most out of architectural lighting applications.



## KEY FEATURES

### Lumen output & Light source

Luminaire with nineteen high-power, single-chip LEDs provides up to 1780 lumen output (@10°, RGBW). Multiple LED colour variants. No light spills. Well homogenised light output with great efficacy up to 59 lm/w.

### Design & Durability

Compact, durable and stylish housing made of high-pressure die cast aluminium. IP67 and IK10 certification; suitable for marine and traffic applications. Supported with a 5 year warranty.

### Flexibility

Exceptional outdoor or indoor LED luminaire with a wide range of accessories, custom colour finishes, multiple light output variants and beam angles.

### Connectivity

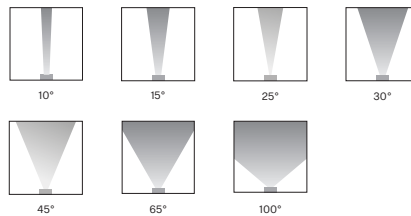
Calumma S SC can be connected via an E-Box for almost effortless installation. DMX512+RDM and wide range of Ethernet protocols are available for E-Box control. DMX/RDM or DALI 2 interface protocols facilitate standard connection options.

## CONTROL & PROTOCOLS

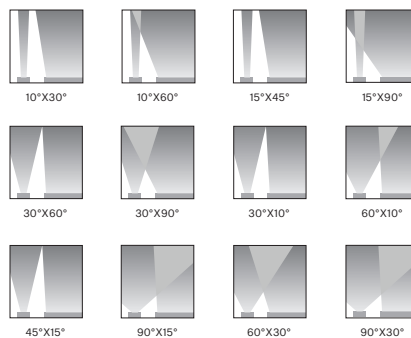


## OPTIC OPTIONS

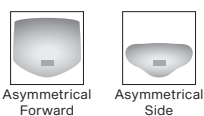
### SYMMETRICAL



### BI-SYMMETRICAL

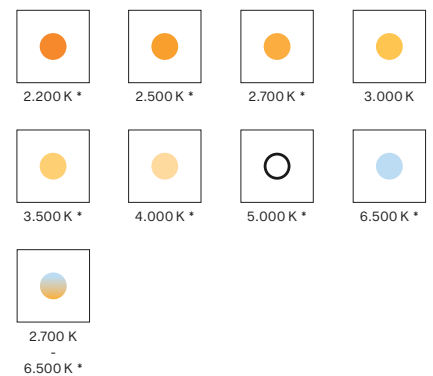


### ASYMMETRICAL



## COLOUR TEMPERATURE

\* UPON REQUEST



## COLOURS

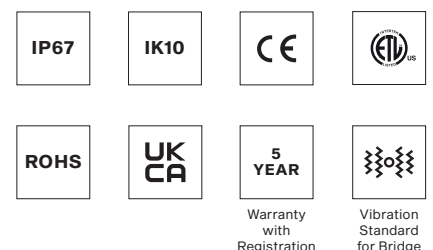
\* UPON REQUEST



## FINISH OPTIONS



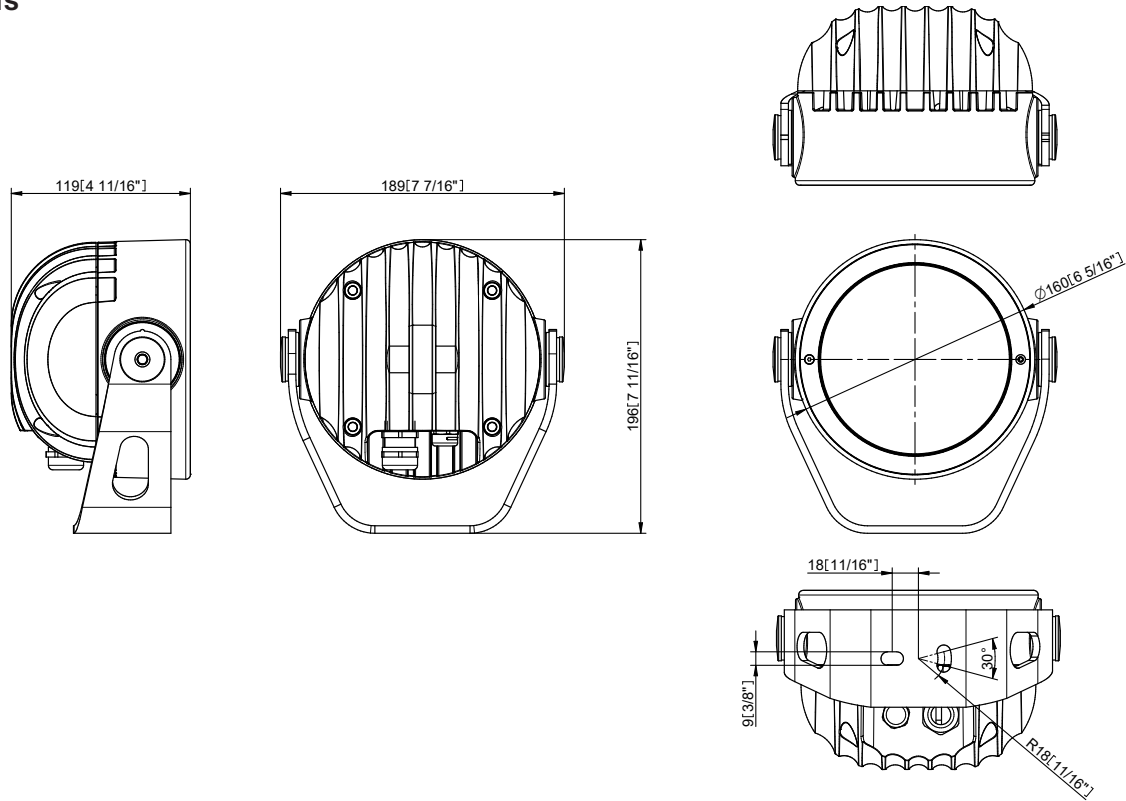
## STANDARD & SPECIFICATION



CALUMMA S SC SPECIFICATION

<b>ELECTRICAL</b>	Input Voltage	120 - 277 V AC 50/60 Hz (US)		
	Typical Power Consumption	30 W +/-10 %		
<b>OPTICAL</b>	Light Source	High Power Single Chip LEDs		
	Colour Variants	RGBW (W - 6500 K)   RGBA   PW (W - 3000 K)		
		Other Variants On Request (TW (2700 - 6500 K), 2200 K, 2500 K, 2700 K, 3500 K, 4000 K, 5000 K, 6500 K)		
	Beam Angle	10°   15°   25°   30°   45°   65°   100°		
		10°x30°   30°x10°   10°x60°   60°x10°   15°x45°   45°x15° 15°x90°   90°x15°   30°x60°   60°x30°   30°x90°   90°x30°		
		Asymmetrical Side   Asymmetrical Forward		
Lumen Output Delivered	1780 lm (@ 10°, RGBW) (preliminary)	2245 lm (@ Asymmetrical Side, PW 3000 K) (preliminary)		
Projected Lumen Maintenance	L90B10 >90.000 hrs, Ta = 25°C / 77°F			
<b>CONTROL</b>	Interface Protocol	DMX/RDM, DALI 2 or ON/OFF		
	DALI 2 Device Type	DT 8		
	Control System	Third Party DMX Controllers		
	Operating Modes	DMX, Stand-alone		
	Settings / Addressing	E-Box, RDM communicator		
	Power Supply	Integrated		
<b>PHYSICAL</b>	Width x Height x Depth	189 x 196 x 119 mm (7.4 x 7.7 x 4.7 in.)		
	Weight	3.68 kg   8.11 lbs	Asymmetrical Beam Angles: 4.22 kg   9.28 lbs	
	Housing	High Pressure Die-Cast Aluminium Body		
		Tempered Glass		
	Finish Options	Standard Colour - Graphite Black (RAL 9011)   Silver (RAL 9006)		
		Cost Option - Custom RAL   Harsh Environment / C5M (RAL 9016, RAL 9011)		
	Cables / Connections	<b>IN (for DMX, DALI, ON/OFF):</b>	- 1 m cable with bare end - Other cable length - custom - Junction box - optional	
	Mounting Method	Yoke		
	Adjustability	+180° / -180°		
	Protection Factor	IP67 / Suitable For Wet Locations		
IK Rating	IK10			
Cooling System	Convection			
Operating Ambient Temperature	-20 °C / +40 °C (-4 °F / +104 °F)			
<b>CERTIFICATION</b>	Listings	ETL / cETL, CE, RoHS, UKCA		
<b>ACCESSORIES</b>		Junction Box for Calumma		
		Optical Demo Set for Calumma S		
		Top Hat Calumma S		
		Half Top Hat Calumma S		
		Tenon Adaptor		
		Floor Stand for Calumma S, M		
	Pole Adaptor (ø 102mm)			

**DIMENSIONS**

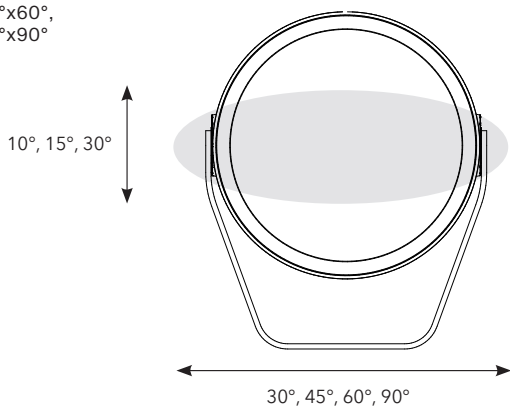


**PROJECTED AREA**

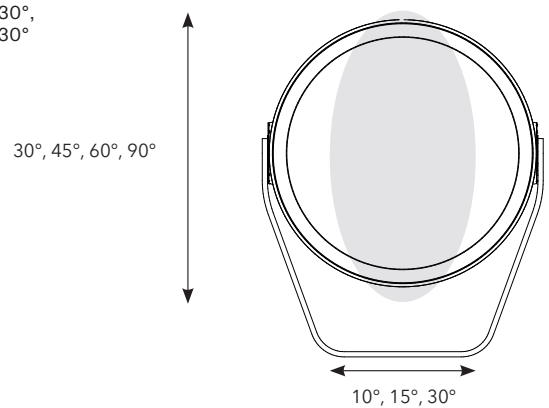
	Front (rear) - m <sup>2</sup>	Front (rear) ft <sup>2</sup>	Side - m <sup>2</sup>	Side - ft <sup>2</sup>	Top - m <sup>2</sup>	Top - ft <sup>2</sup>
<b>Calumma S</b>	0,023	0,250	0,019	0,207	0,018	0,196
<b>with Top Hat</b>	0,023	0,250	0,027	0,290	0,027	0,290
<b>with Half Top Hat</b>	0,023	0,250	0,022	0,232	0,027	0,290

**BI-SYMMETRICAL BEAM ANGLES**

Bi-symmetrical:  
10°x30°,  
10°x60°,  
15°x45°,  
15°x90°,  
30°x60°,  
30°x90°



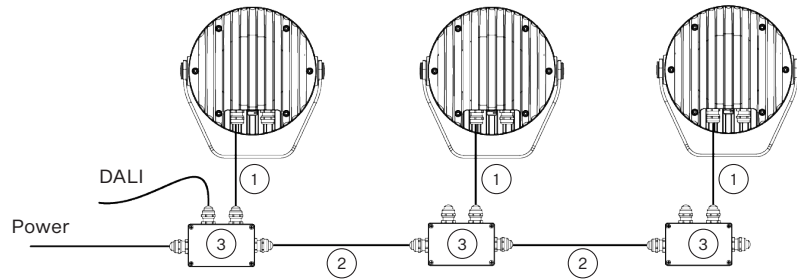
Bi-symmetrical:  
30°x10°,  
60°x10°,  
45°x15°,  
90°x15°,  
60°x30°,  
90°x30°



CONTROL AND CONNECTION OPTIONS - CE

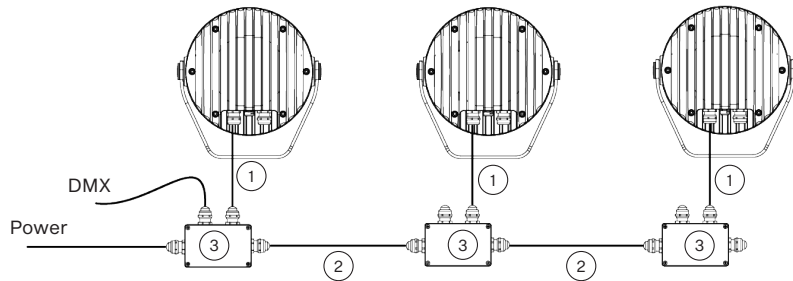
**DALI**

- 1) SJTW 5x 14AWG (13053336)  
Standard 1 m with bare-end
- 2) SJTW 5x 14AWG (13053336)  
or Scope of Others
- 3) Junction Box for Calumma



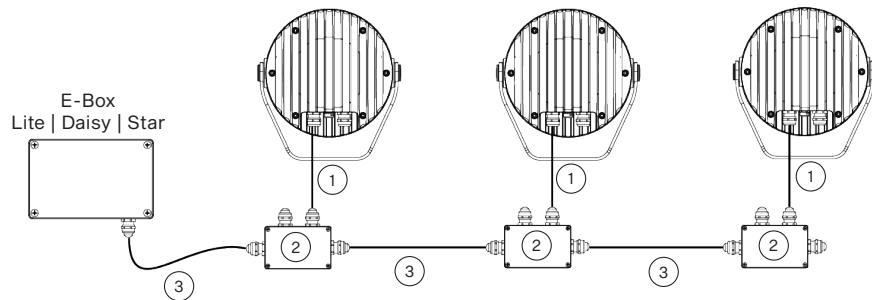
**DMX**

- 1) Flamar 3x AWG 16 + 1 x (2x AWG 24)  
Standard 1 m with bare-end  
(13051508)
- 2) Flamar 3x AWG 16 + 1 x (2x AWG 24)  
(13051508)  
or Scope of Others
- 3) Junction Box for Calumma



**DMX or ETHERNET via E-BOX**

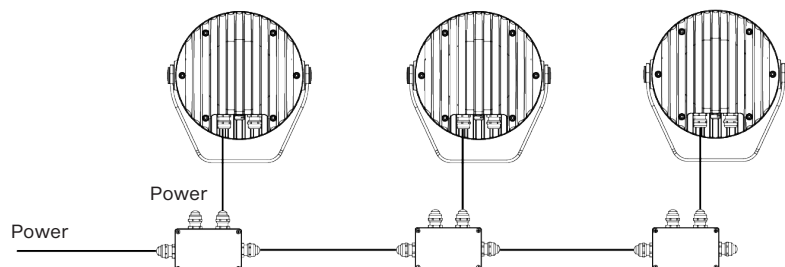
- 1) Flamar 3x AWG 16 + 1 x (2x AWG 24)  
(13051508), Standard 1 m with bare-end
- 2) Junction Box for Calumma
- 3) Flamar 3x AWG 16 + 1 x (2x AWG 24)  
(13051508)  
or Scope of Others



**Note: This type of connection is available for S, M, L, and XL versions. E-Box has to be in Pass Through mode only.**

**ON/OFF**

**Note: This type of connection is available for Pure White version only. Non dimmable.**

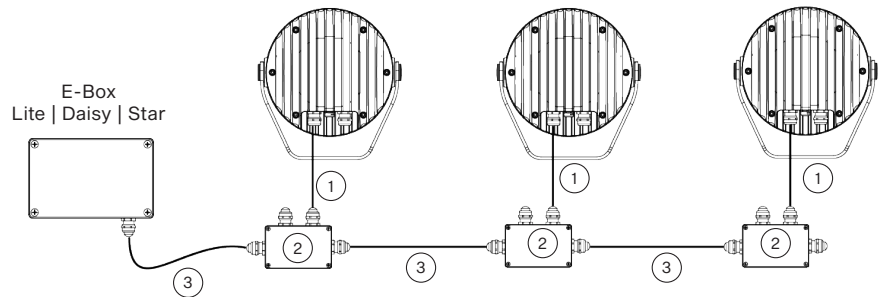


CONTROL AND CONNECTION OPTIONS - US

DMX or ETHERNET via E-BOX

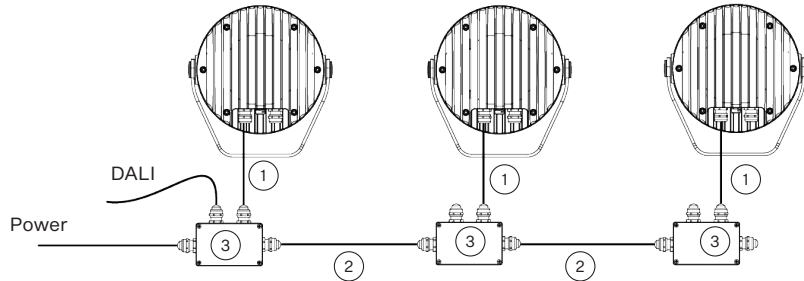
- 1) SJTW 6x 14AWG (13053480)  
Standard 1 m with bare-end
- 2) Junction Box for Calumma
- 3) SJTW 6x 14AWG (13053480)  
or Scope of Others

**Note: This type of connection is available for S, M, L, and XL versions. E-Box has to be in Pass Through mode only.**



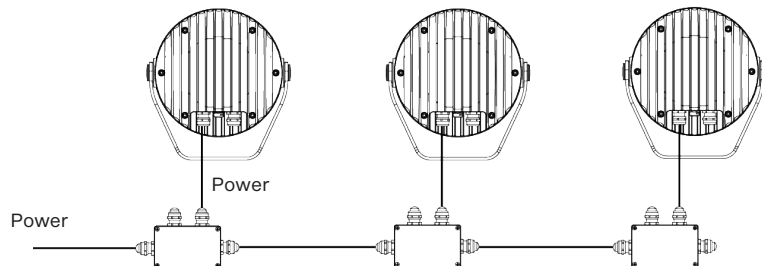
DALI

- 1) SJTW 5x 14AWG (13053336)  
Standard 1 m with bare-end
- 2) SJTW 5x 14AWG (13053336)  
or Scope of Others
- 3) Junction Box for Calumma



ON/OFF

**Note: This type of connection is available for Pure White version only. Non dimmable.**



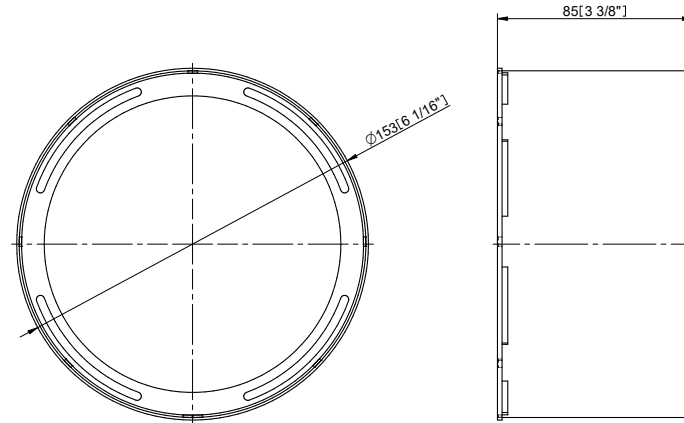
CONNECTIVITY

Following table shows maximum connected Calummas S SC in a row with respect of cable length.

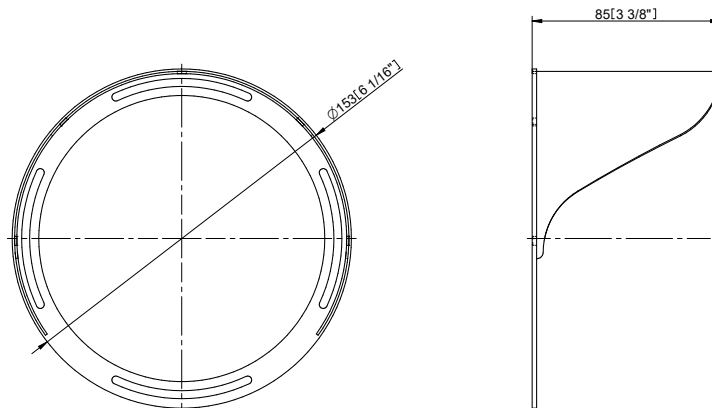
	Cable length (m)	Voltage (V)			
		120	190	230	277
CALUMMA S SC	10	61	96	117	140
	20	61	96	117	140
	30	43	96	117	140
	50	26	64	94	137
	70	18	46	67	98
	100	13	32	47	68
	200	6	16	24	34

ACCESSORIES

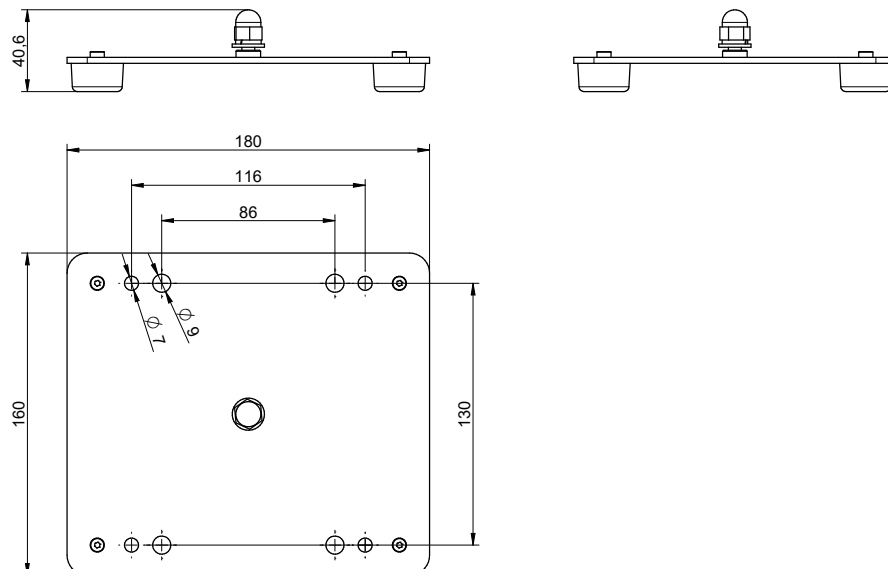
Top Hat



Half Top Hat

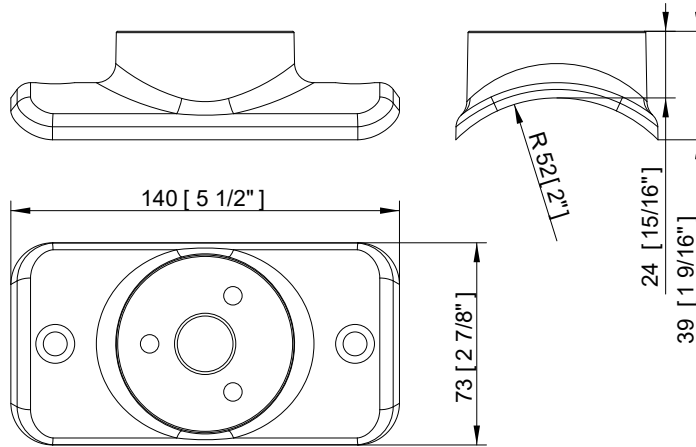


Floor Stand



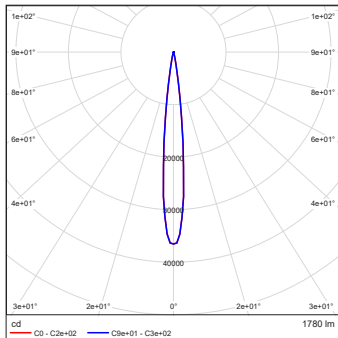
ACCESSORIES

Pole Mount Bracket **PRELIMINARY**



PHOTOMETRIC DATA

Calumma S SC RGBW 10dg



Calumma S SC PW 3000 K  
Asymmetrical Side **PRELIMINARY**

