

## ARCPAR™ 150 OUTDOOR

Designed with an all-in-one, approach the ArcPar 150 Outdoor makes installation smoother by allowing last minute tweaks and modifications on-site. The versatility of this unique product shines through with the introduction of its optical system which has a zoom ratio of 15,5:1 while an approximate range of 3.8° - 60° makes ArcPar 150 Outdoor ideal for flood or spot lighting. The ArcPar 150 Outdoor has an IP 65 rating and is suitable for wet locations. As always, Anolis' signature quality colour mixing is present, easily selectable through a virtual colour wheel, preset with over 60 colour options. ArcPar 150 Outdoor has Anolis' innovative lens coating technology with benefits including bright and clear lenses, no scratches or marks, higher light output and longer intervals between cleaning.



### KEY FEATURES

IP65 rated outdoor colour changing high power LED fixture with remote 3.8° – 60° zoom.

#### Lumen Output & Light Source

Lumen output of 1676 lm is provided by seven high-power multi-chip LEDs.

#### Projected lumen maintenance

The projected lumen maintenance is 90,000 hours (L90B10).

#### Power Consumption

220 W energy consumption provides excellent efficiency at low operating costs.

#### Physical

The durable cast aluminum body with lenses covered by tempered glass is a stylish, durable and easy-to-mount solution. The fixture's physical dimensions are 228 × 234 × 412 mm (8.97 × 9.21 × 17.64 in) and it weighs 7.92 kg (17.46 lbs).

### COLOURS



RGBW



RGBA

### OPTIC OPTIONS



ZOOM  
3.8°-60°

### CONTROL & PROTOCOLS



DMX  
RDM



WIRELESS  
DMX

OPTIONAL

### FINISH OPTIONS



Graphite  
Black



Silver



RAL  
Custom  
Paint  
Colour

### STANDARD & SPECIFICATION



IP65



IK06



CE



ETL



ROHS



UK  
CA



5  
YEAR

Warranty  
with  
Registration



VIBRATION  
STANDARD

Vibration  
Standard  
for Bridge

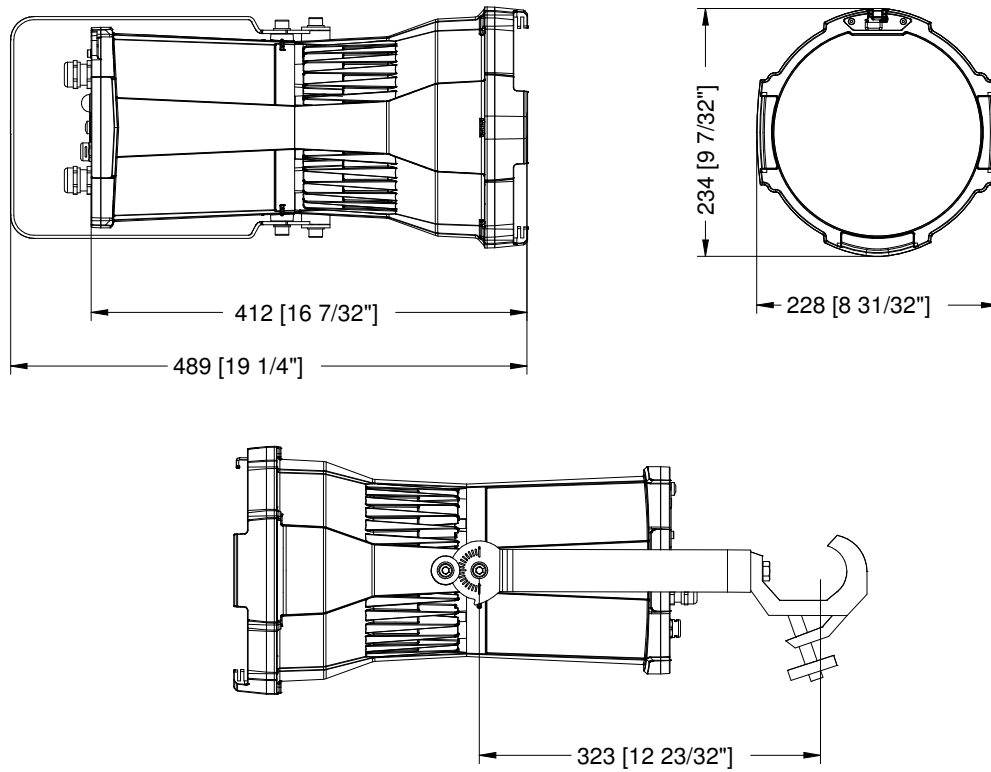
ARCPAR 150 OUTDOOR SPECIFICATION

<b>ELECTRICAL</b>	Input Voltage	100 - 240 V AC 50/60 Hz (CE)	100 - 277 V AC 50/60 Hz (US)
	Typical Power Consumption	220 W +/- 10 %	
<b>OPTICAL</b>	Light Source	7 x 40W High Power Multichip LEDs	
	Colour Variants	RGBW (W - 6500 K)   RGBA	
	Beam Angle	Zoom Range 3.8° - 60°	
	Lumen Output Delivered	1.676 lm (RGBW @ 40°)	
	Projected Lumen Maintenance	L90B10 >90.000 hrs, Ta = 25°C / 77°F	
<b>CONTROL</b>	Display	2-Row LCD Display With Control Buttons	
	Wireless DMX (Option)	Lumen Radio CRMX Technology	
	Interface Protocol	USITT DMX512, RDM	
	Control System	Third Party DMX Controllers	
	Operating Modes	DMX, Stand-alone	
	DMX Modes   DMX Channels	3   17, 11, 5	
		Virtual Color Wheel with 66 Preset Swatches	
	Programs / Functions / Features	Tungsten Dim Effect at Whites of 2700 K and 3000 K (Red Shift)	
		18-bit Driving of LEDs (Super Smooth Color Mixing And Dimming)	
	Settings / Addressing	Via LCD Display with Control Buttons or RDM	
Power Supply	Integrated, Auto-Ranging		
<b>PHYSICAL</b>	Width x Height x Depth   Weight	228 x 234 x 412 mm (8.97 x 9.21 x 16.22 in.)   7.92 kg   17.46 lbs	
	Housing	High Pressure Die-Cast Aluminium Body   Tempered Glass	
	Finish Options	Standard Colour - Graphite Black (RAL 9011)   Silver (RAL 9006)	Cost Option - Custom RAL
	Cables / Connections	Power Cable 1.2 m Bare End, DMX Cable IN / OUT 1 m With IP67 XLR - 5 pin	
	Mounting Method	Yoke	
	Adjustability	360°	
	Protection Factor   IK Rating	IP65 / Suitable For Wet Locations   IK06	
	Cooling System	Convection	
	Max. Ambient Temperature	+40°C (104°F)	
	Max. Surface Temperature	+80 (+176 °F)	
<b>CERTIFICATION</b>	Listings	ETL / cETL, CE, RoHS, UKCA	
<b>ACCESSORIES</b>		Top Hat ArcPar 150 Outdoor	
		Half Top Hat ArcPar 150 Outdoor	
		Barndoor	
		Doughty Trigger Clamp	
		Safety wire 36 kg	

PROJECTED AREA

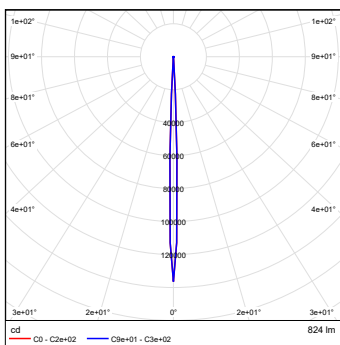
	Front (rear) - m <sup>2</sup>	Front (rear) ft <sup>2</sup>	Side - m <sup>2</sup>	Side - ft <sup>2</sup>	Top - m <sup>2</sup>	Top - ft <sup>2</sup>
<b>ArcPar 150 Outdoor</b>	0,042	0,452	0,079	0,855	0,092	0,99
<b>ArcPar 150 Outdoor with Top Hat</b>	0,042	0,452	0,091	0,984	0,1	1,097
<b>ArcPar 150 Outdoor with Half Top Hat</b>	0,042	0,452	0,088	0,947	0,1	1,098

DIMENSIONS

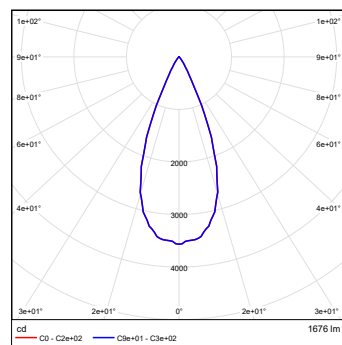


PHOTOMETRIC DATA

ArcPar 150 Outdoor RGBCW  
Zoom 3.6dg

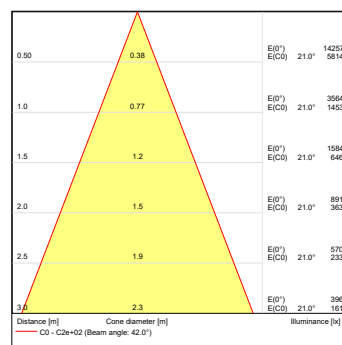
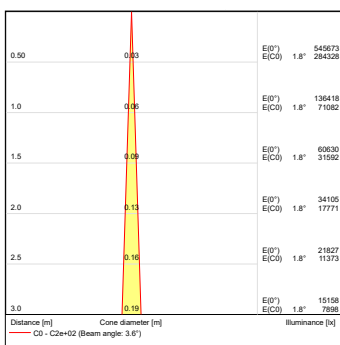


ArcPar 150 Outdoor RGBCW  
Zoom 42dg



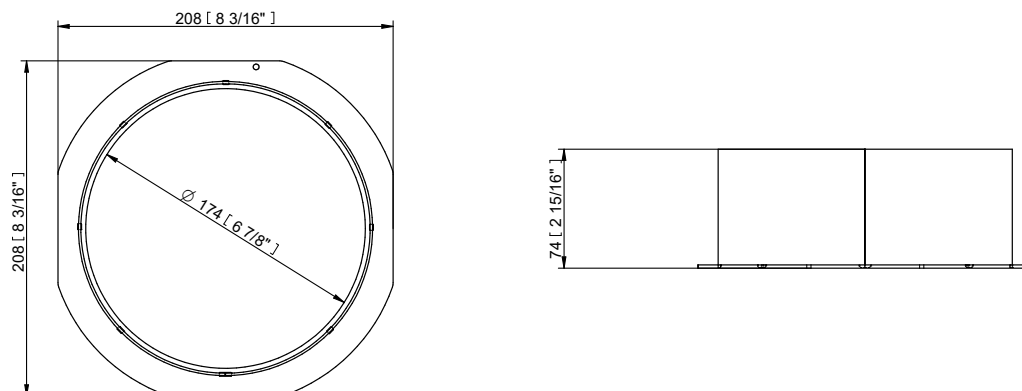
PHOTOMETRIC OVERVIEW

Beam Angle	Lumen Output (lm)	
	RGBW	RGBA
3.8°	824	644
19.2°	1 009	789
42°	1 676	1 310

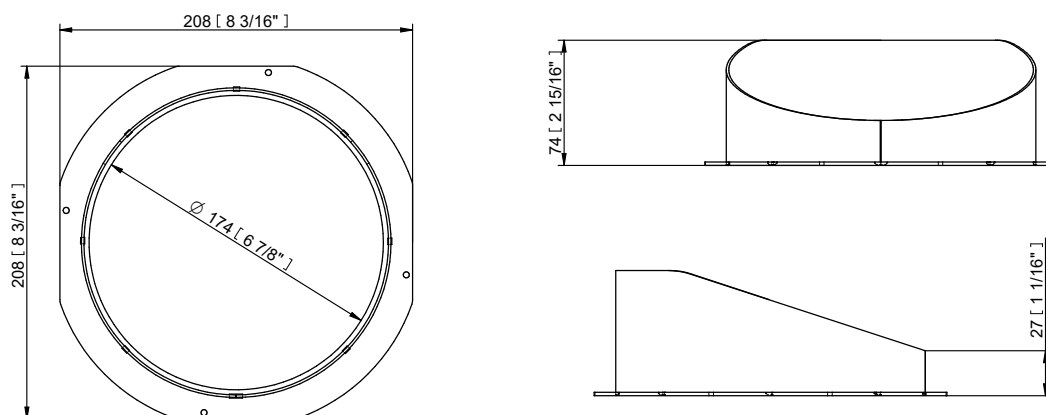


ACCESSORIES

Top Hat



Half Top Hat



Barndoor

