

# EMINERE™ CABLE & CONNECTORS

## LEADER CABLE

- for connecting E-box with first Eminere. Order together with Waterproof End Cap which has to be installed to the last Eminere's output connector.



Cable CE Leader - LED Output

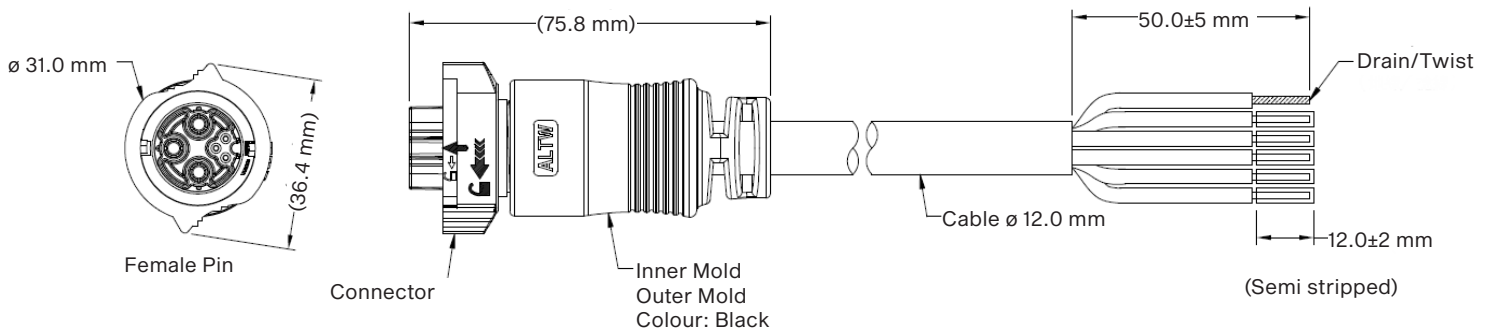
WIRE	POWER CONNECTION	WIRE	DATA CONNECTION
Brown	L	Orange	Data - (D-)
Blue	N	Purple	Data + (D+)
Green	Ground	Shielding	Data Ground (0V)



Cable US Leader - LED Output

WIRE	POWER CONNECTION	WIRE	DATA CONNECTION
Black	L	Orange	Data - (D-)
White	N	Red	Data + (D+)
Green	Ground	Shielding	Data Ground (0V)

## DIMENSION



## SPECIFICATION

FEATURES	Length	Standard	2m   5m   10m   25m   50m	
		On Request	Other lengths	
	Outer diameter	ø 12.0mm		
Colour	Cable & Connector	Black		
ELECTRICAL & CONTROL	Cable Type	<b>CE: 2m (13053005), 5m (13053006), 10m (13053007), 25m (13053008), 50m (13053009)</b> <b>US: 2m (13053010), 5m (13053011), 10m (13053012), 25m (13053013), 50m (13053014)</b>		
	Conductors		<b>CE</b>	<b>US</b>
		Power conductors	3x 2 mm <sup>2</sup>	3x 14AWG
	Data conductors	1x 0.2 mm <sup>2</sup>	3x 24AWG	
Fixture Voltage	120 - 277 V			
Operating Temperature	-40 °C / +105 °C (-40 °F / +221 °F)			
RATINGS & CERTIFICATIONS	IP Rating	IP67 unmated		
	Certifications	ETL / cETL, CE, RoHS, UKCA		

**JUMPER CABLE**

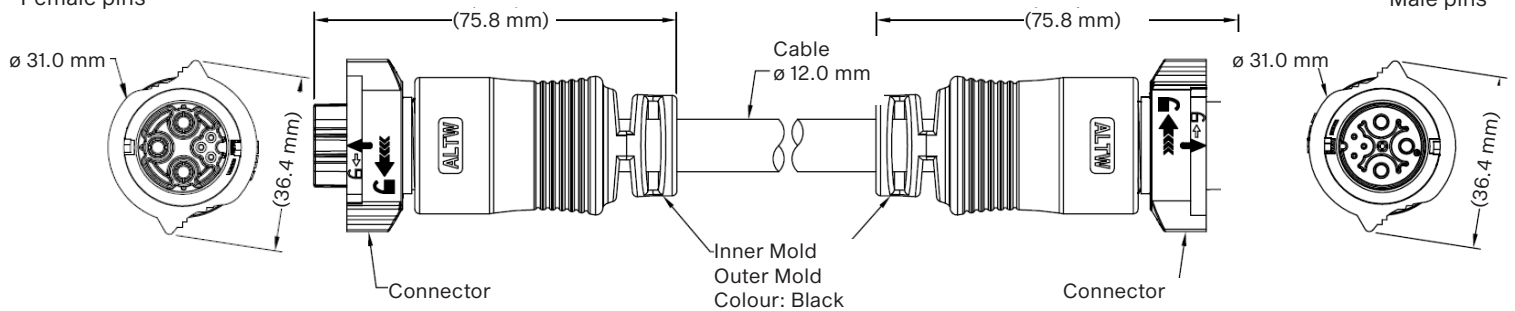
- for connection between two Emineres.



**DIMENSION**

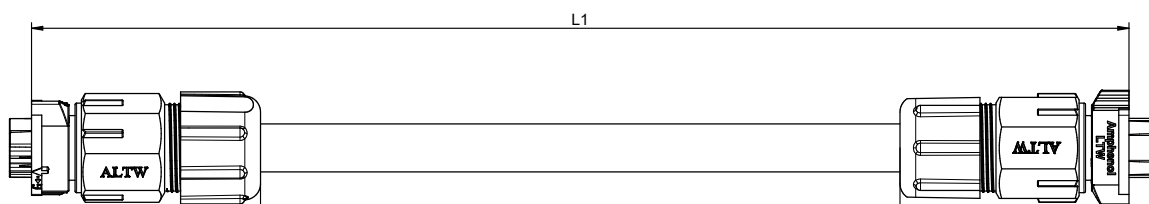
Female connector  
Female pins

Female connector  
Male pins



**CUSTOM LENGTH**

- Custom length of Jumper cable depends on the distance between two Eminere luminaires (length includes cable and connectors).



**SPECIFICATION**

<b>FEATURES</b>	Length	Standard	0,25m (13053052), 0,5m (13053053), 1m (13053054), 2m (13053055), 3m (13053056), 5m (13053057), 10m (13053058)
		On Request	Other lengths
	Outer diameter	ø 12.0 mm	
	Colour	Cable & Connector	Black
<b>PHYSICAL</b>	Fixture Voltage	120 - 277 V	
	Operating Temperature	-40 °C / +105 °C (-40 °F / +221 °F)	
	IP Rating	IP67 unmated	
<b>RATINGS &amp; CERTIFICATIONS</b>	Certifications	ETL / cETL, CE, RoHS, UKCA	

**FIELD INSTALLABLE CONNECTOR**

- for special cases, where Jumper Cable can't be used. Then use Leader Cable with Field installable connector to make a connection between Emineres. According the diameter of cable choose the right size of seal which should fit tightly to cable jacket (two sizes of Seal included).

Female connector  
Female pins

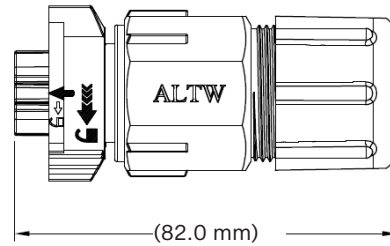
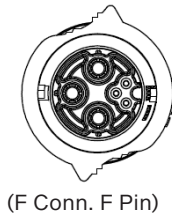


Female connector  
Male pins

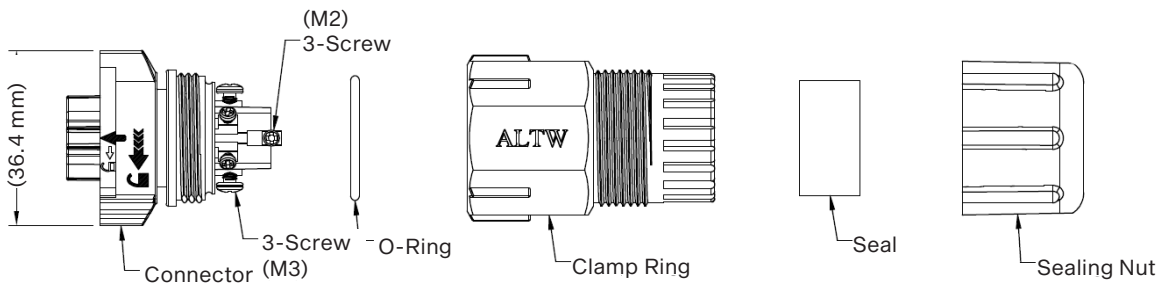
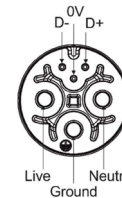
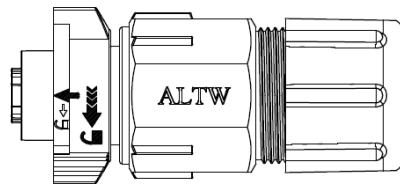
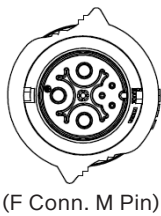


**DIMENSION**

Female connector  
Female pins



Female connector  
Male pins



**SPECIFICATION**

<b>FEATURES</b>	Colour	Black	
	Connector type	FF (13053003)   FM (13053004)	
	Seal	ø 8.0 -10.0mm	ø 10.0 -14.5mm
	Operating Temperature	-40 °C / +105 °C (-40 °F / +221 °F)	
<b>RATINGS &amp; CERTIFICATIONS</b>	IP Rating	IP67 mated	
	Certifications	ETL / cETL, CE, RoHS, UKCA	

CABLE CE / US



Cable CE Leader - LED Output

WIRE	POWER CONNECTION	WIRE	DATA CONNECTION
Brown	L	Orange	Data - (D-)
Blue	N	Purple	Data + (D+)
Green	Ground	Shielding	Data Ground (0V)

Cable US Leader - LED Output

WIRE	POWER CONNECTION	WIRE	DATA CONNECTION
Black	L	Orange	Data - (D-)
White	N	Red	Data + (D+)
Green	Ground	Shielding	Data Ground (0V)

SPECIFICATION

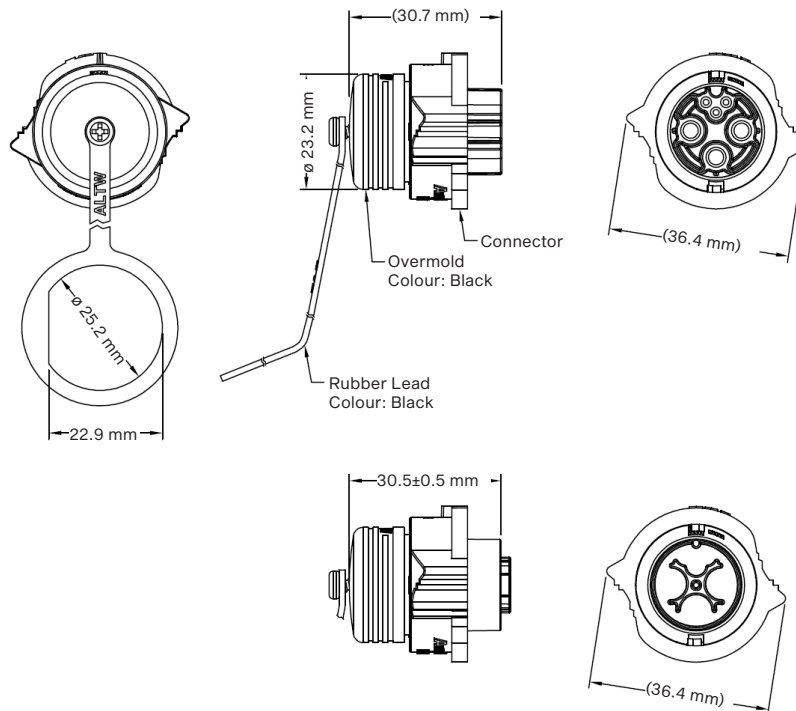
<b>FEATURES</b>	Length	On Request		
	Outer diameter	ø 12.0 mm		
	Colour	Black		
<b>ELECTRICAL &amp; CONTROL</b>	Cable Type	CE   US		
	Conductors		<b>CE</b>	<b>US</b>
		Power conductors	3x 2 mm <sup>2</sup>	3x 14AWG
	Data conductors	1x 0.2 mm <sup>2</sup>	3x 24AWG	
	Fixture Voltage	120 - 277 V		
Operating Temperature	-40 °C / +105 °C (-40 °F / +221 °F)			
<b>RATINGS &amp; CERTIFICATIONS</b>	IP Rating	IP67 unmated		
	Certifications	ETL / cETL, CE, RoHS, UKCA		

**WATERPROOF END CAP**

- Install at the end of line to the last Emineres output connector.



**DIMENSION**




**SPECIFICATION**


<b>FEATURES</b>	Colour	Black
	Ordering Number	17031173
	Operating Temperature	-40 °C / +105 °C (-40 °F / +221 °F)
<b>RATINGS &amp; CERTIFICATIONS</b>	IP Rating	IP67 mated
	Certifications	ETL / cETL, CE, RoHS, UKCA

# EMINERE™ REMOTE CABLE

- for connecting E-box Remote or Remote basic with Eminere Remote and Remote UV luminaires.



CE VERSION	CONNECTOR	Vcc	D+	D-	0V	
	Function	LEDs +	Data +	Data -	LEDs -	Ground
	Colour of wire	Red	Orange	Black	White	Not connected

US VERSION	CONNECTOR	Vcc	D+	D-	0V	
	Function	LEDs +	Data +	Data -	LEDs -	Ground
	Colour of wire	Red	Orange	Black	White	Green

## SPECIFICATION

<b>FEATURES</b>	Length	On Request
	Outer diameter	∅ 11.5±0.25 mm
	Colour	Black
<b>ELECTRICAL &amp; CONTROL</b>	Cable Type	CE   US
	Conductors	5 x 14 AWG
	Fixture Voltage	120 - 277 V
	Operating Temperature	-40 °C / +105 °C (-40 °F / +221 °F)
<b>CERTIFICATIONS</b>	Certifications	ETL / cETL, CE, RoHS, UKCA