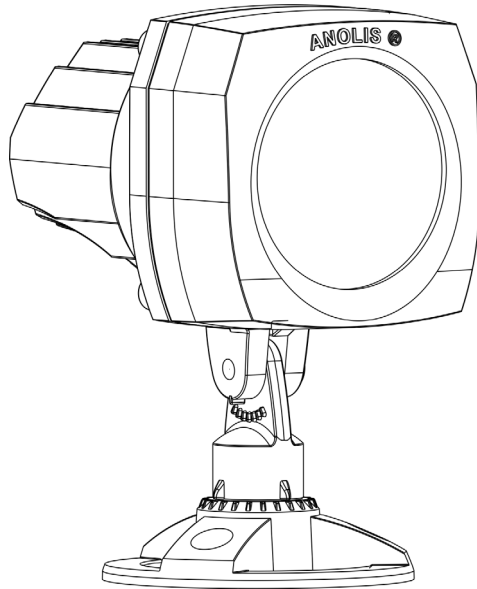
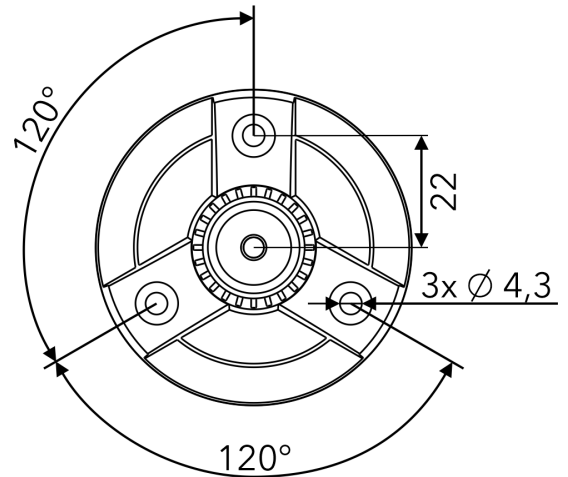




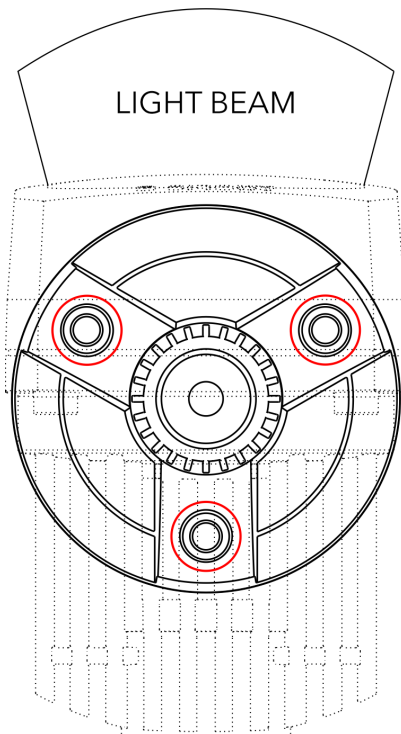
Fixture must be installed by a qualified electrician in accordance with all national and local electrical and construction codes and regulations.



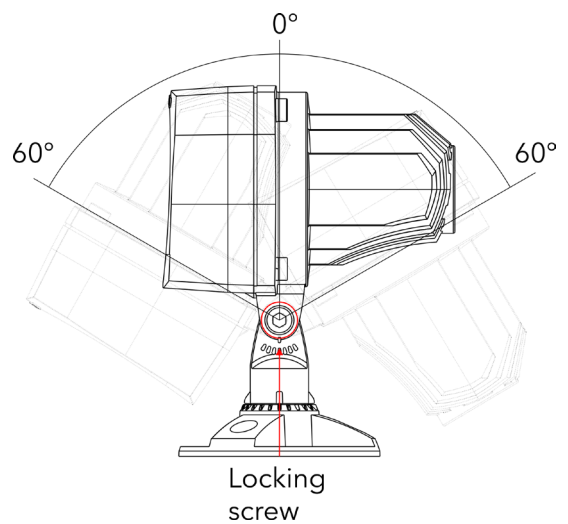
**STEP 1**  
**FIXTURE'S HOUSING**



1



2

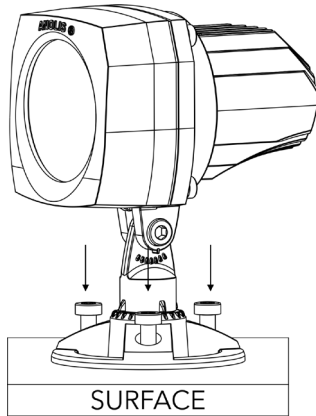


Three holes of diameter 4.3mm in the base serve for mounting on the non-flammable surface.

The luminaire head can be adjusted in range of 120°. Loosen a locking screw M5x12, tilt it to desired position and tighten the screw.

**STEP 2A**  
**INSTALL WITH STANDARD BASE**

⚠ Use fasteners that are appropriate for use with your mounting surface. ⚠

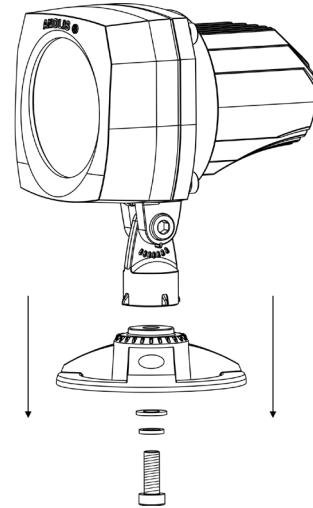


Fasten the base of luminaire into the mounting surface with three screws.

**STEP 2B**  
**INSTALL WITH STANDARD BASE AND ADAPTOR**

1

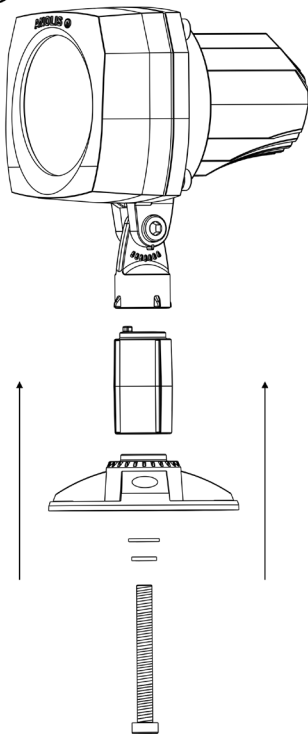
1X  M5x14



Unscrew M5x14 from the bottom part of base and disassemble the base from the luminaire.

2

1X  M5x45

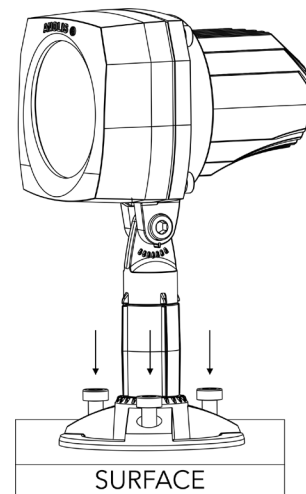


- 1. standard washer
- 2. spring washer
- 3. screw

Assemble the 31mm adaptor between the luminaire and the base. Locking pin of the adaptor has to be placed correctly into matching part of the luminaire. Screw the luminaire, adaptor and base together with M5x45, spring washer and standard washer.

3

⚠ Use fasteners that are appropriate for use with your mounting surface. ⚠

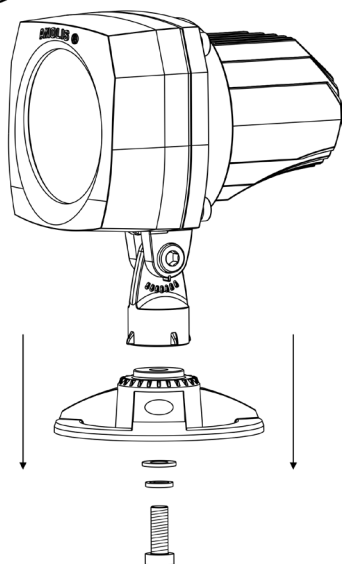


Fasten the base of luminaire into the mounting surface with three screws.

**STEP 2C**  
**INSTALLATION OF 100MM ADAPTOR STAND AND MOUNTING**

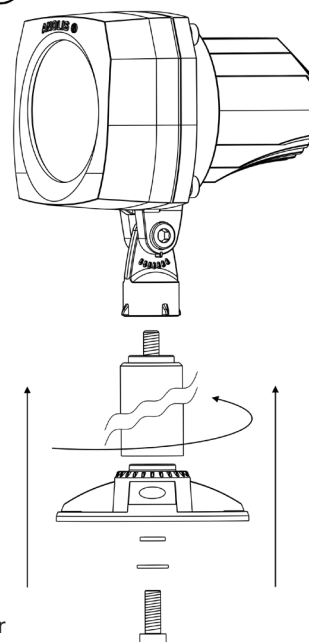
1

1X  M5x14



2

1X  M5x14



1. standard washer
2. spring washer
3. screw

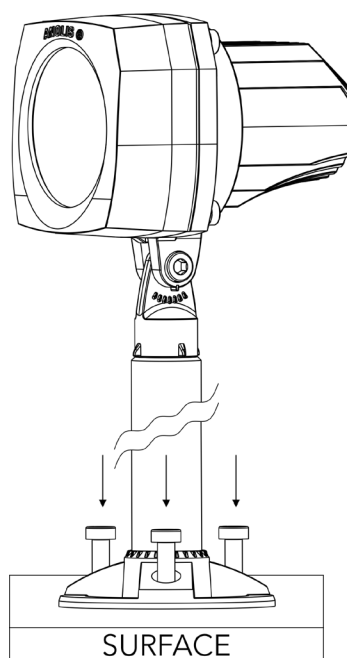
Unscrew M5x14 from the bottom part of base and disassemble the base from the luminaire.

Screw the 100mm adaptor into luminaire by bolt on adaptor. Fasten the base to the adaptor with original M5x14 screw and washers.

3

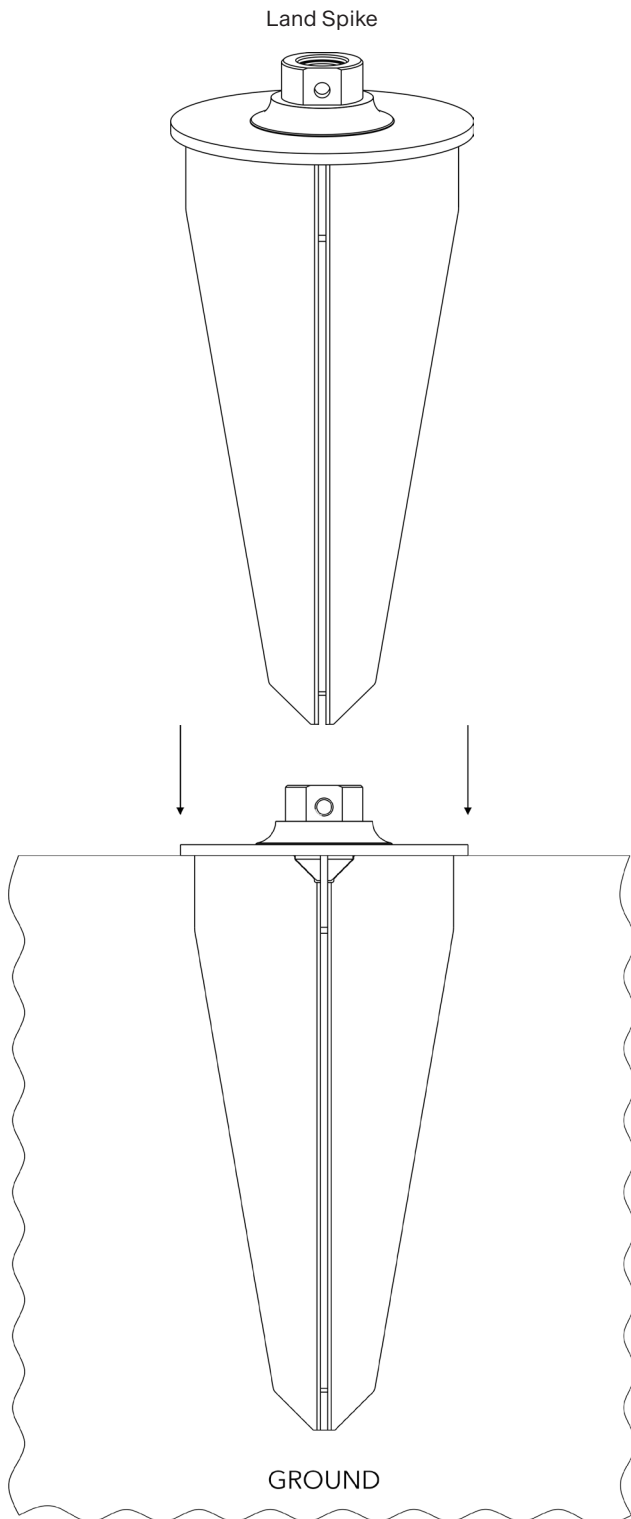


Use fasteners that are appropriate for use with your mounting surface.

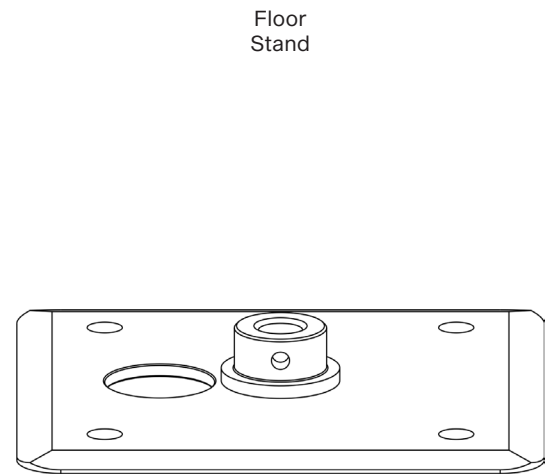


Fasten the base of luminaire into the mounting surface with three screws.

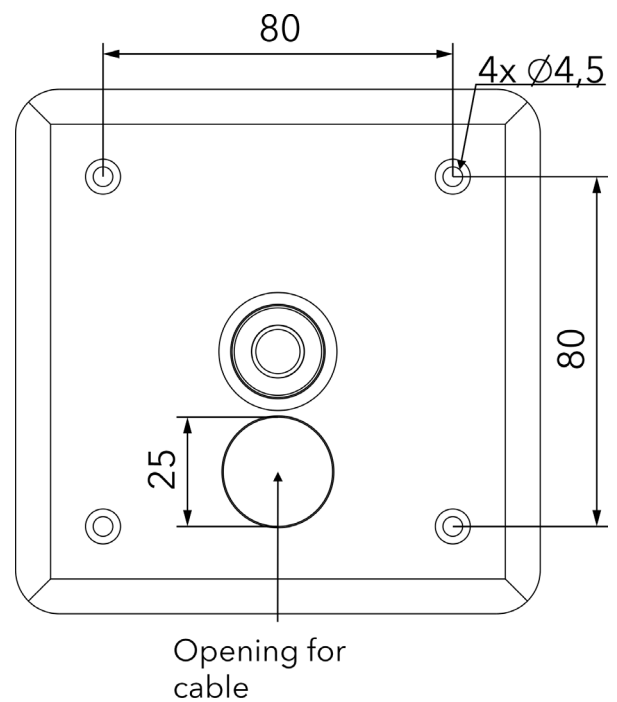
**STEP 2D**  
**INSTALL WITH LAND SPIKE OR FLOOR STAND**



Insert the Land Spike into ground. Underground part of Land Spike should be placed perpendicularly into the ground. (if you need to use tools to insert spike in the ground, use of some protective layer, and applying pressure in the middle is recommended to prevent damaging of land spike)

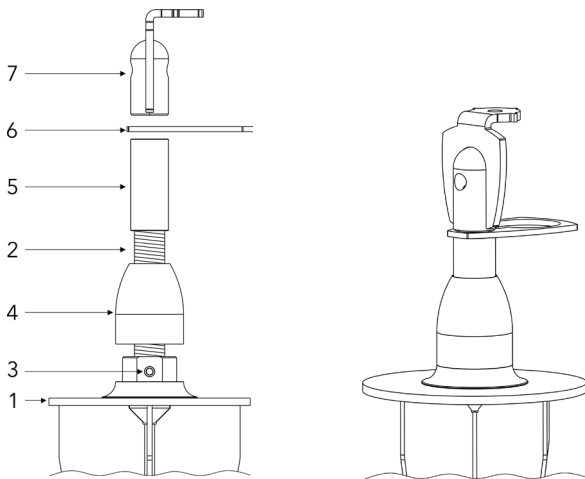


⚠ Use fasteners that are appropriate for use with your mounting surface. ⚠

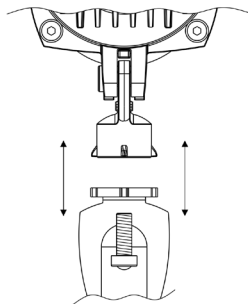


Fasten the Floor stand into the mounting surface by four screws and prepared mounting holes.

**Land spike 1 ASO 4 MC Pixel 100 mm**



1X  M5x14



1. Insert the Land Spike into the ground. Underground part of Land spike (1) should be placed perpendicularly into the ground. (if you need to use tools to insert spike in the ground, use of some protective layer and applying pressure in the middle is recommended to prevent damaging of land spike).

2. Screw the threaded bar (2) into the top of underground part (1) and fasten it with the socket head M5x5 (3).

3. Slide the cover (4) on the treaded bar (2).

4. Slide the 36.5mm pipe cover (5) on the threaded bar (2).

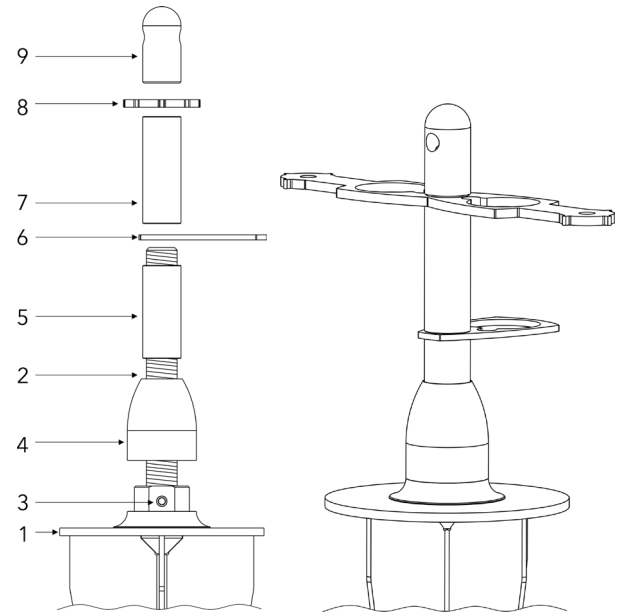
5. Slide the cable holder (6) on the threaded bar (2).

6. Screw the nut with mount (7) on the threaded bar (2).

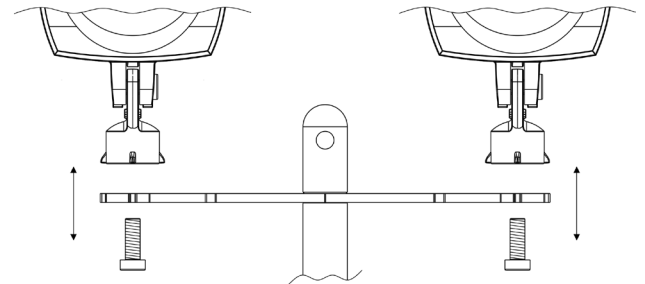
7. Fasten the luminaire on the mount (7) with one M5x14 screw from the bottom of luminaire.

8. Pass cable through the cable holder (6).

**Land spike 2 ASO 4 MC Pixel 100 mm**



2X  M5x14



1. Insert the Land Spike into the ground. Underground part of Land spike (1) should be placed perpendicularly into the ground. (if you need to use tools to insert spike in the ground, use of some protective layer and applying pressure in the middle is recommended to prevent damaging of land spike).

2. Screw the threaded bar (2) into the top of underground part (1) and fasten it with the socket head M5x5 (3).

3. Slide the cover (4) on the treaded bar (2).

4. Slide the 36.5mm pipe cover (5) on the threaded bar (2).

5. Slide the cable holder (6) on the threaded bar (2).

6. Slide the 36.5mm pipe cover (5) on the threaded bar (2).

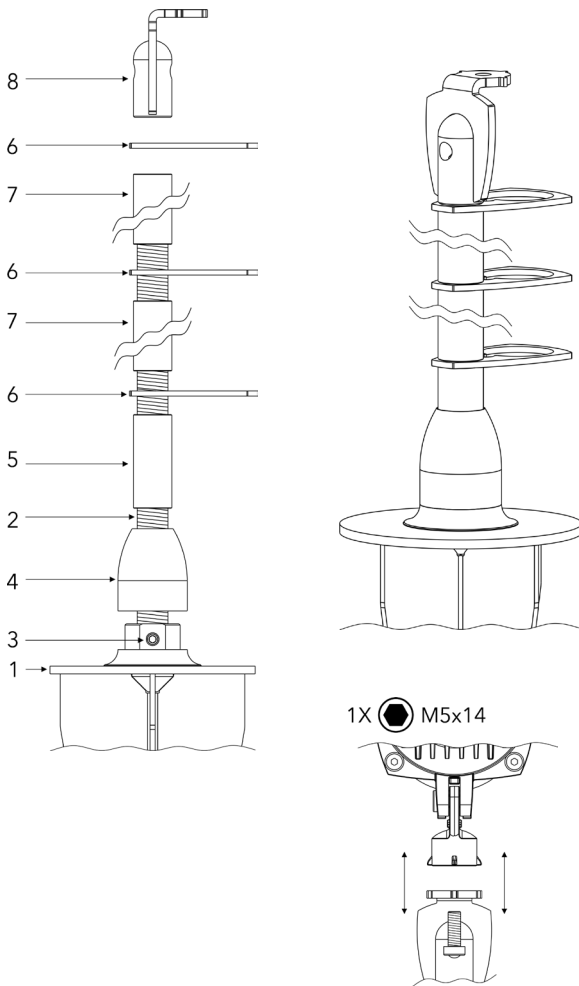
7. Slide the ArcSources holder (8) on the threaded bar.

8. Screw the nut (9) on the treaded bar.

9. Fasten both luminaires to the holder (8) with M5x14 screws from the bottom of each luminaire and its mount on the holder.

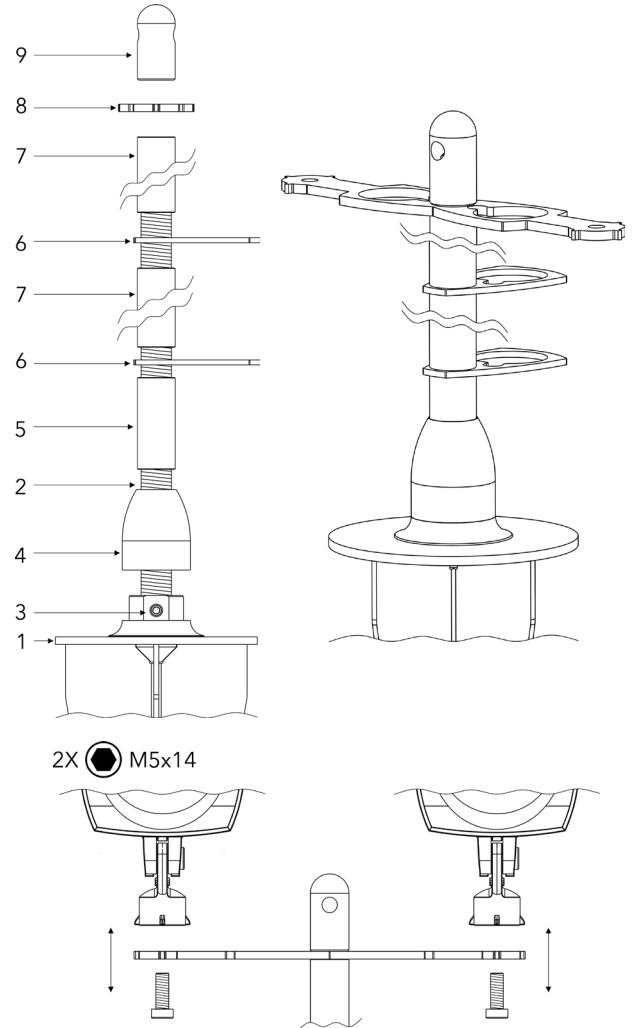
10. Pass the cable through the cable holder (6).

**Land spike 1 ASO 4 MC Pixel 500 mm**



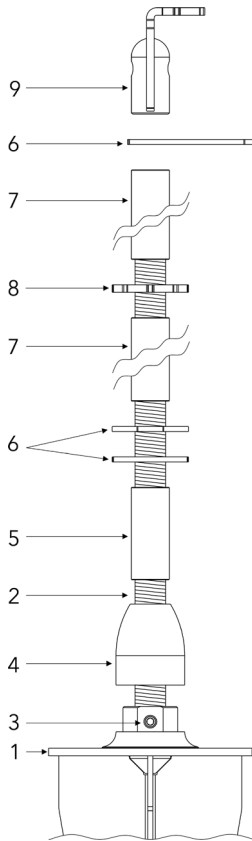
1. Underground part of Land spike (1) should be placed perpendicularly into the ground. (if you need to use tools to insert spike in the ground, use of some protective layer and applying pressure in the middle is recommended to prevent damaging of land spike)
2. Screw the threaded bar (2) onto the underground part of spike (1) and fasten it with the socket head M5x5 (3).
3. Slide the cover (4) on the treaded bar (2) and the socket head (3).
4. Slide the 36.5mm pipe cover (5) on the threaded bar (2).
5. Slide the cable holder (6) on the threaded bar (2).
6. Slide the 198mm pipe cover (7) on the threaded bar (2).
7. Slide the cable holder (6) on the threaded bar (2).
8. Slide the 198mm pipe cover (7) on the threaded bar (2).
9. Slide the cable holder (6) on the threaded bar (2).
10. Screw the nut with mount (8) on the threaded bar (2).
11. Fasten the luminaire on the mount (8) with one M5x14 screw from the bottom of luminaire and its mount.
12. Pass cable through the cable holders (6).

**Land spike 2 ASO 4 MC Pixel 500 mm**



1. Underground part of Land spike (1) should be placed perpendicularly into the ground. (if you need to use tools to insert spike in the ground, use of some protective layer and applying pressure in the middle is recommended to prevent damaging of land spike)
2. Screw the threaded bar (2) onto the underground part of spike (1) and fasten it with the socket head M5x5 (3).
3. Slide the cover (4) on the treaded bar (2) and the socket head (3).
4. Slide the 36.5mm pipe cover (5) on the threaded bar (2).
5. Slide the cable holder (6) on the threaded bar (2).
6. Slide the 198mm pipe cover (7) on the threaded bar (2).
7. Slide the cable holder (6) on the threaded bar (2).
8. Slide the 198mm pipe cover (7) on the threaded bar (2).
9. Slide the ArcSources holder (8) on the threaded bar (2).
10. Screw the nut (9) on the threaded bar (2).
11. Fasten both luminaires to the holder (8) with M5x14 screws from the bottom of each luminaire and its mount.
12. Pass cables through the cable holder (6).

**Land spike 3 ASO 4 MC Pixel 500 mm**



1. Underground part of Land spike (1) should be placed perpendicularly into the ground. (if you need to use tools to insert spike in the ground, use of some protective layer and applying pressure in the middle is recommended to prevent damaging of land spike)

2. Screw the threaded bar (2) onto the underground part of spike (1) and fasten it with the socket head M5x5 (3).

3. Slide the cover (4) on the treaded bar (2) and the socket head (3).

4. Slide the 36.5mm pipe cover (5) on the threaded bar (2).

5. Slide two cable holders (6) on the threaded bar (2).

6. Slide the 198mm pipe cover (7) on the threaded bar (2).

7. Slide the ArcSources holder (8) on the threaded bar (2).

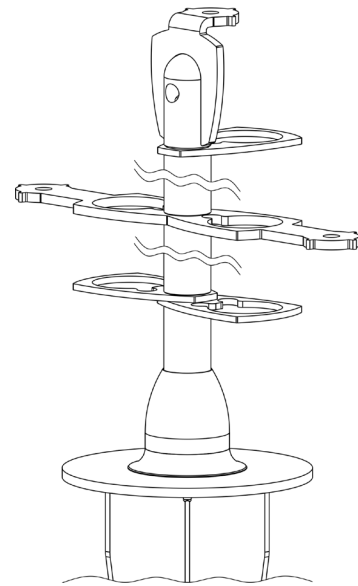
8. Slide the 198mm pipe cover (7) on the threaded bar (2).

9. Slide the cable holder (6) on the threaded bar (2).

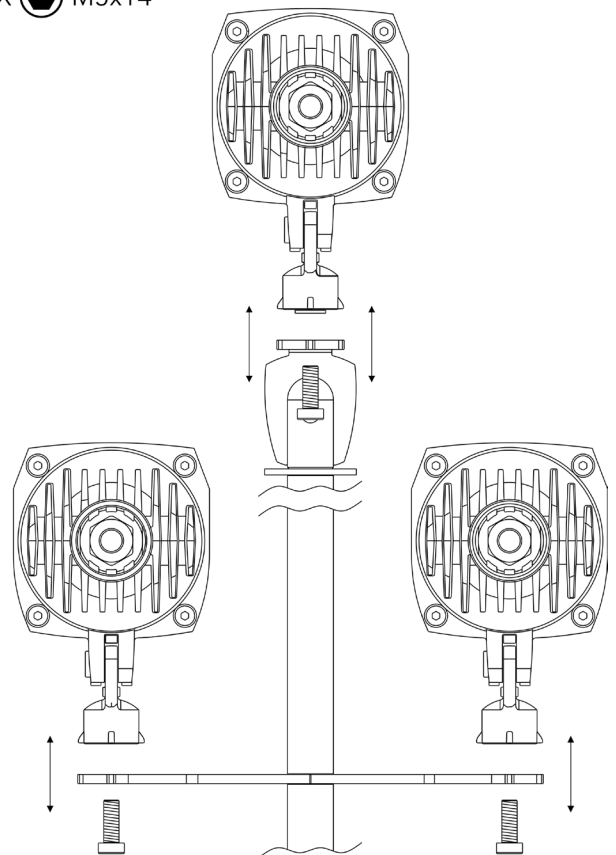
10. Screw the nut with mount (9) on the threaded bar (2).

11. Fasten three luminaires to their holders (8,9) with M5x14 screws from the bottom of each luminaire and its mount.

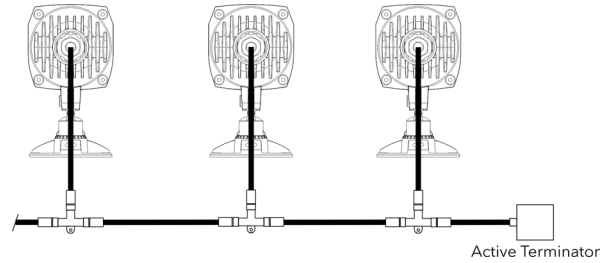
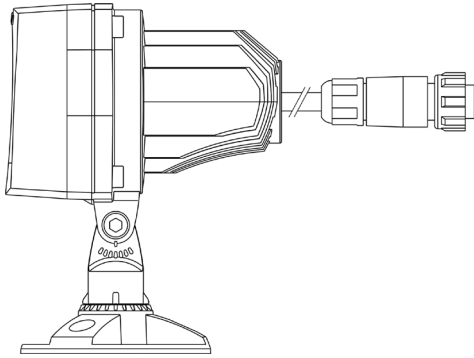
12. Pass cables through the cable holders (6).



3X  M5x14

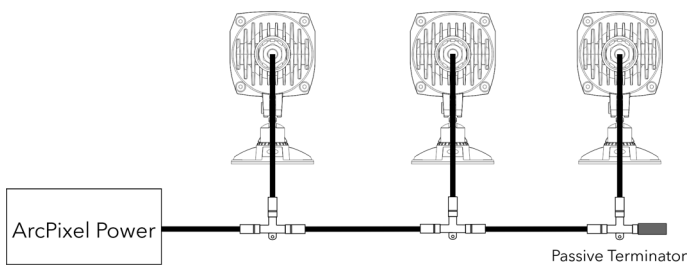


**STEP 3  
CONNECTION**



Connection of ArcSource Outdoor 4MC Pixel is provided by 50cm long cable with male connector. (variety of cable adaptors is available)

Before ASO 4MC Pixel are connected to power source, you have to connect the Active Terminator on the last luminaire in the row. That is necessary for correct identification of every single ASO 4MC Pixel and this has to be done for setup of every ASO 4MC Pixel row. You can change the Active Terminator box for Passive Terminator box, when the set up is finished.

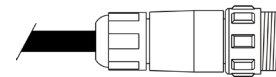


Connect luminaires to each other and to power supply via T-connectors and cables.  
Recommended power supplies:  
ArcPixel Rack Unit, ArcPixel Power.

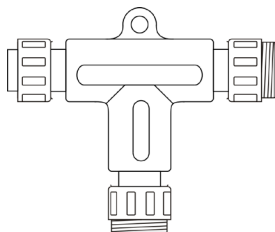
Male connector



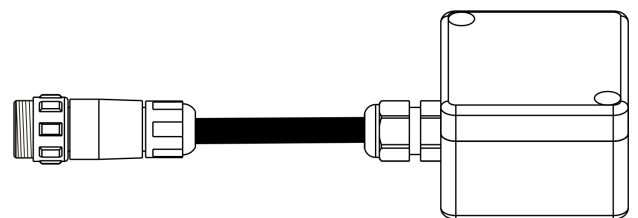
Female connector



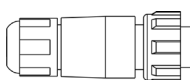
T-connector



Active Terminator



Passive Terminator

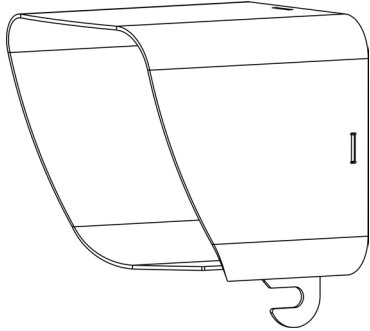




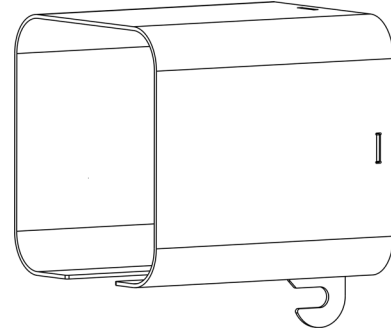
**STEP 4**  
**INSTALLATION ACCESSORIES**

**Half Top Hat and Top Hat**

Half Top Hat

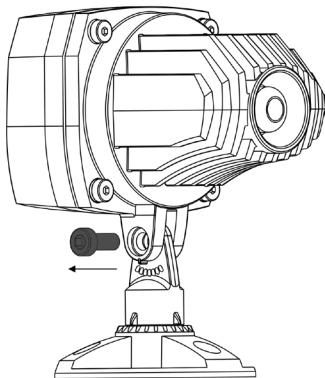


Top Hat



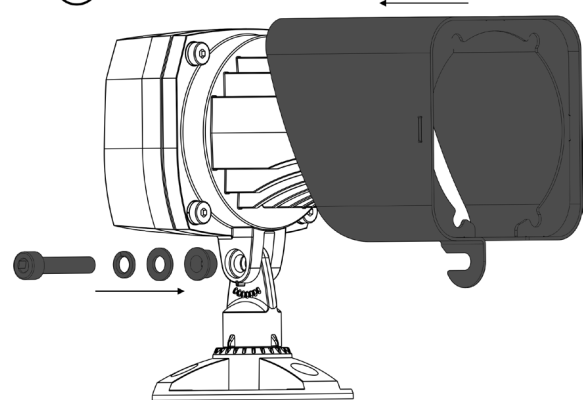
1

1X  M5x12



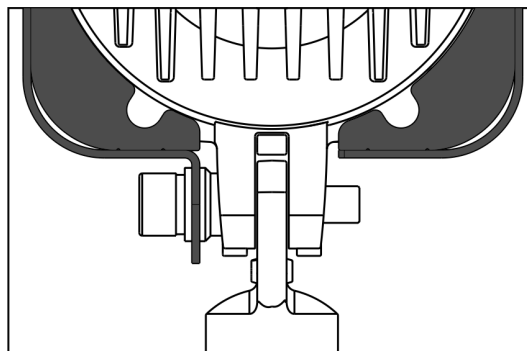
2

1X  M5x25



Unscrew the Allen head screw M5x12 from the ArcSource Outdoor 4MC Pixel housing and its base.

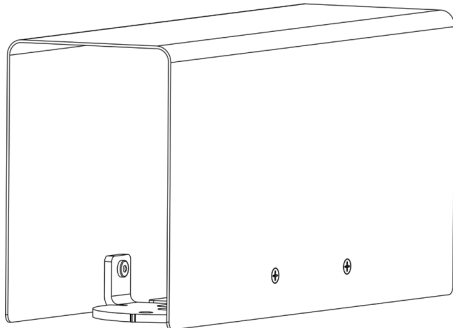
Screw the half top hat to luminaire body as is shown at the picture above.



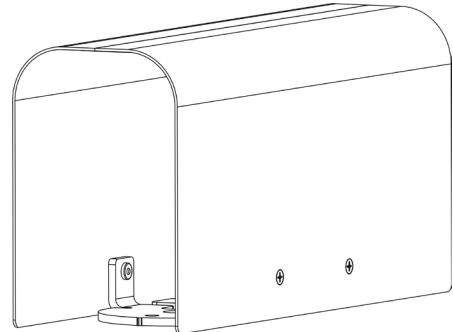
The accessories must be tightened between two washer. Correct position of the spring washer is in touch with bolt head.

Twin Wall Cover (Flat / Round)

Flat

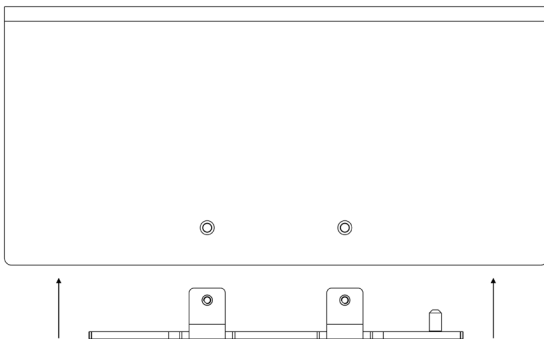


Round



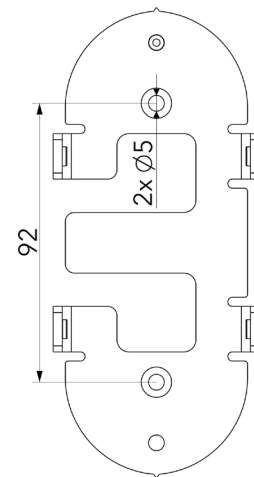
1

4X ⊕ M3x6



Unscrew four M3x6 screws from Twin Wall Cover and remove the cover from the luminaires base holder.

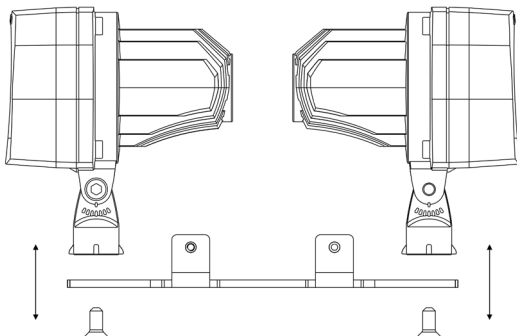
2



Prepare openings for cables in the mounting surface, minimal diameter of 21mm, and if necessary also two mounting holes according to disposition above.

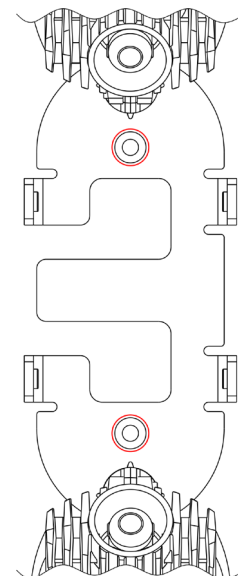
3

2X ⊕ M5x12



Fasten the luminaires (without their bases) to the holder with two M5x12 screws via two outer mounting holes.

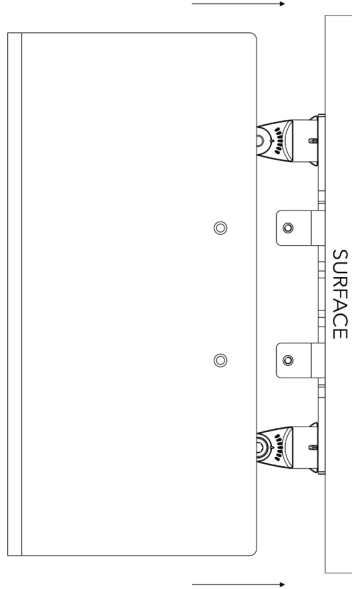
4



Fasten the holder with luminaires to the mounting surface via two inner holes and fasteners suitable to mounting surface.

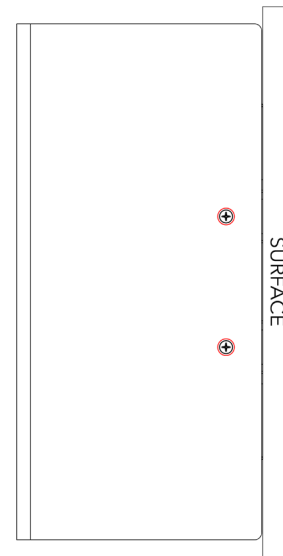
**Twin Wall Cover (Flat / Round)**

5



Slide the cover on the luminaires holder mounted on the surface.

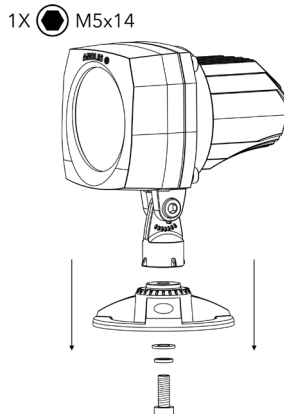
6



Fasten the cover to the holder by four M3x6 screws.

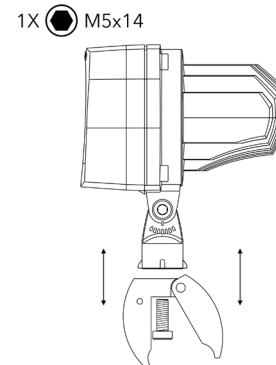
**Pipe Clamp diameter 19**

1



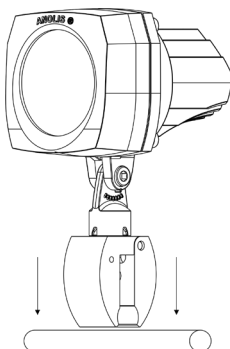
Unscrew M5x14 from the bottom of luminaire and remove its base.

2



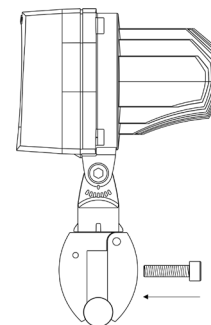
Fasten the Pipe Clamp to the luminaire with M5x14 as illustrated.

3



Place the Pipe Clamp on a construction rod of 19mm in diameter.

4

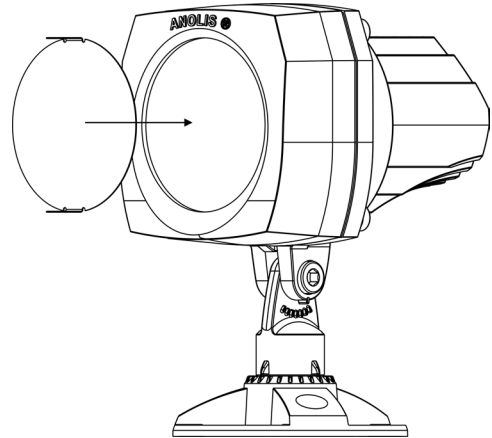
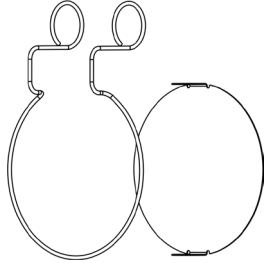


Fasten the Pipe Clamp to the construction rod by MX screw until it is tightened well and holds luminaire firmly.

Optical Demo Set

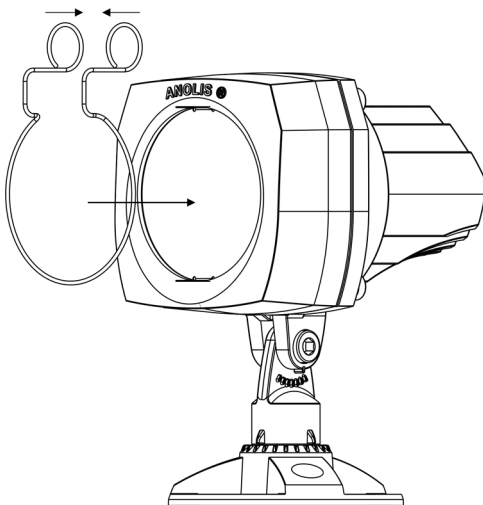
1

Holder with spring clips and Optical foil

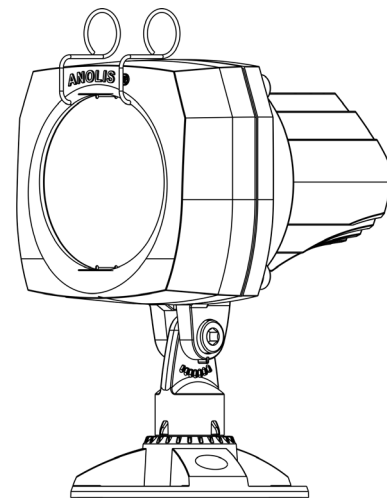


Put the Optical Foil on the luminaire's optic.

2



Press the springs of the Holder together, place the Holder on top of the Optical Foil and secure it on the luminaire by releasing the springs.



ArcSource Outdoor 4MC Pixel with Optical Demo Set installed. Holder secures the Optical Foil on the luminaire firmly.