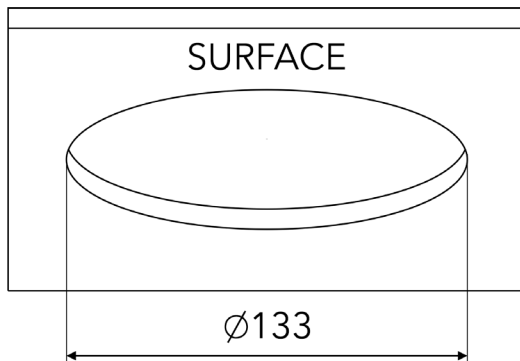




The unit must be installed by a qualified electrician in accordance with all national and local electrical and construction codes and regulations.

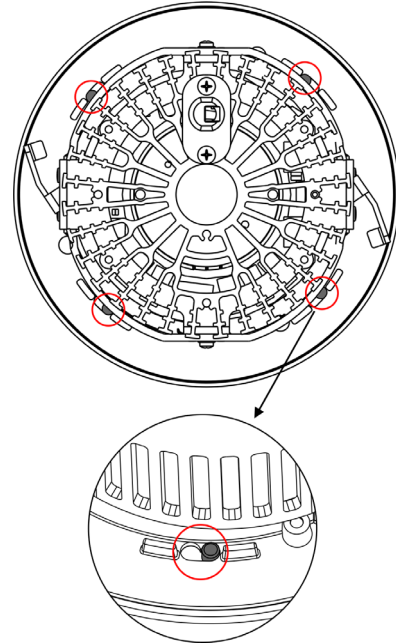


**STEP 1  
CEILING OPENING**



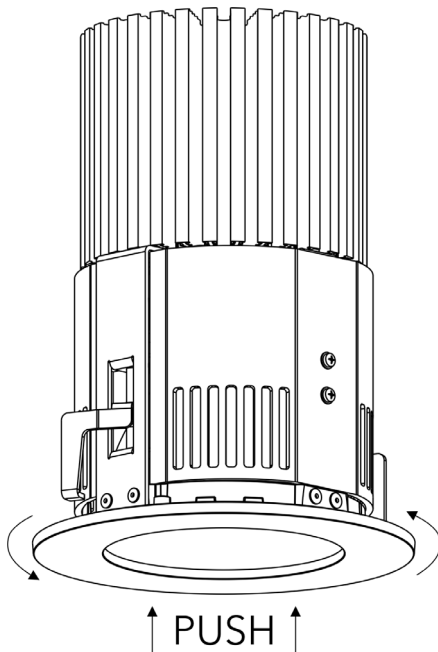
Standard mounting hole with diameter of 133mm.

**STEP 2  
DISASSEMBLING OF FRONT FRAME WITH OPTICS**



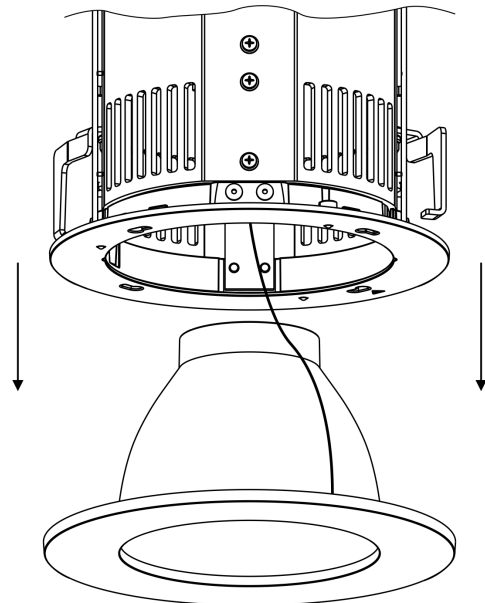
Locks that are holding a Front frame of luminaire.

1



Push in and twist the Front frame counter-clockwise to release it from locks.

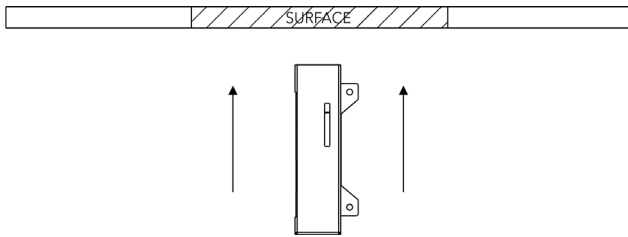
2



Take out the Front frame with optics.

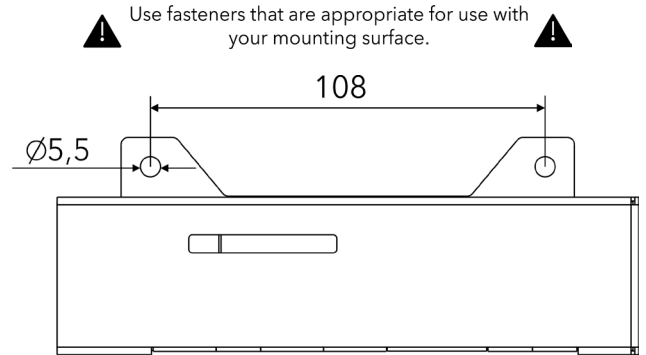
**STEP 3  
 MOUNTING OF CONTROL UNIT**

1



Place control unit above the ceiling through the ceiling opening.

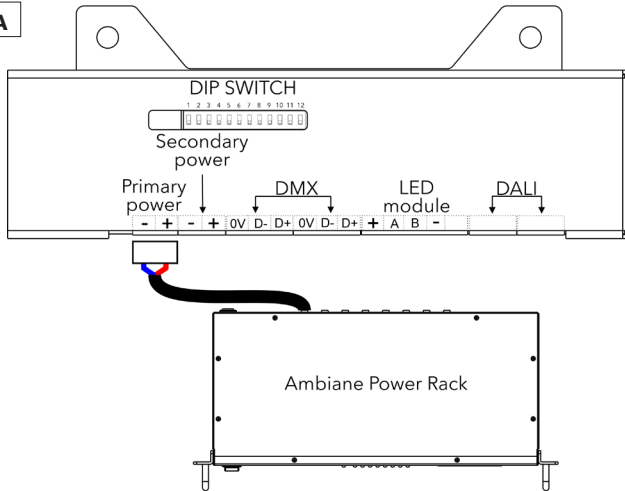
2



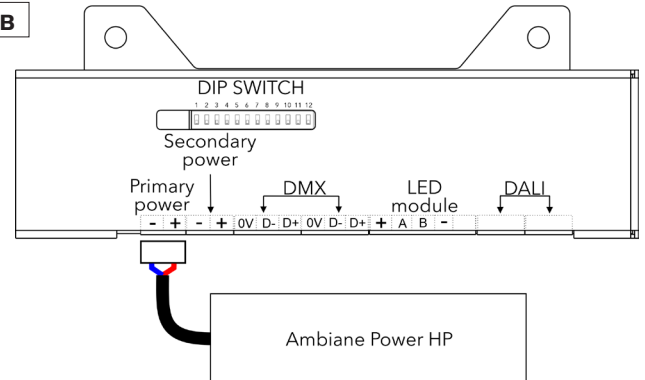
Mount the control unit to ceiling via two mounting holes and suitable fasteners.

**STEP 4  
 PRIMARY POWER CONNECTION**

1A



1B



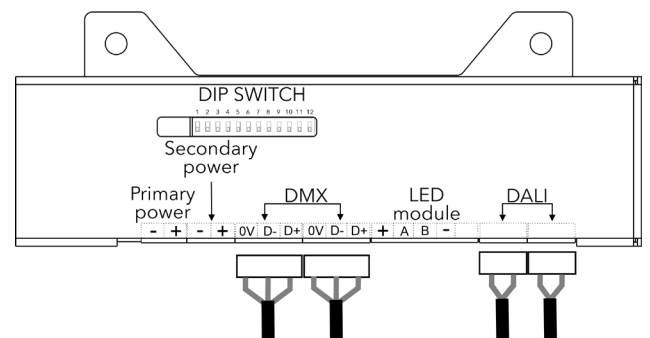
Install terminal block to power cable (from Ambiance Power Rack or Ambiance Power HP) and connect it to Primary power socket of the control unit.

**STEP 5  
 DATA CABLES CONNECTION (DMX OR DALI)**

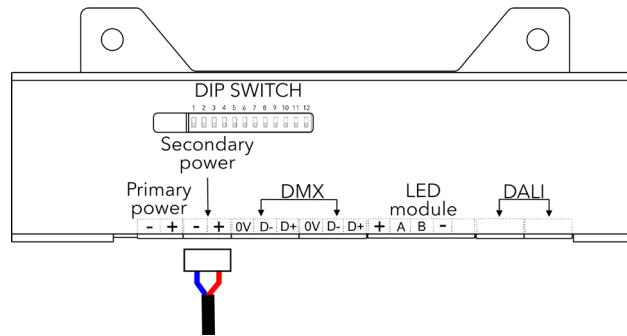
DMX CONNECTION		
0V	D-	D+
Data Ground	Data -	Data +

Install terminal blocks on DMX or DALI data cables and connect them to the control unit.

Set the DIP switches to positions according to your operation mode. The fixture can be controlled by DMX or DALI (switch 11 in OFF position).



**STEP 6**  
**SECONDARY POWER CABLE CONNECTION 48V**



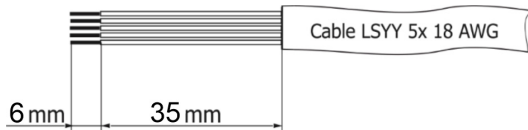
Install terminal block on Secondary power cable and connect it to Secondary power socket of the control unit.

**STEP 7**  
**LED UNIT CONNECTION**

**1**

Shorten power/data cable of LED unit to required length.

**2**

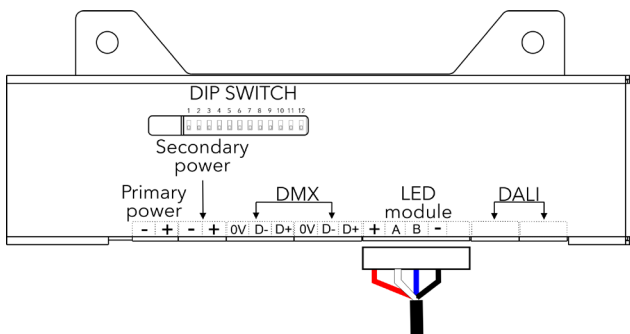


Strip these lengths of LED unit's cable for wiring connection.

LED Unit Connection

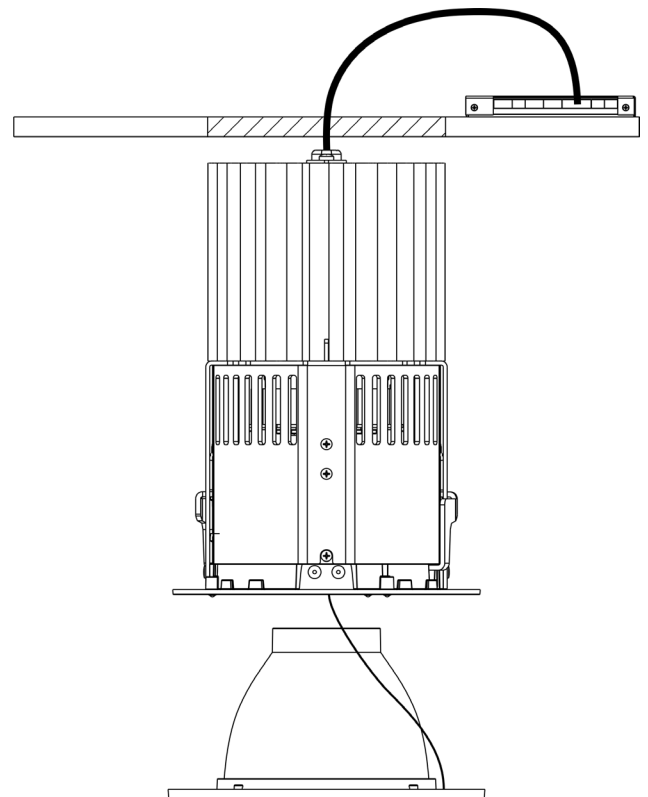
TERMINAL BLOCK	+	A	B	-
Colour of Wire	Red	White	Blue	Black

**3**



Install terminal block on LED unit's cable and connect it to the control unit.

⚠ Connected luminaire before installation. ⚠

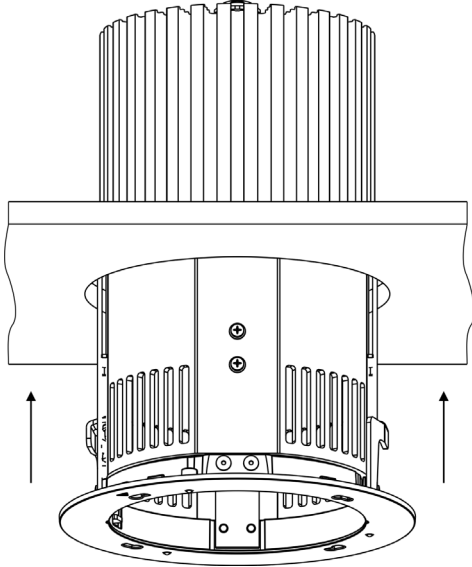


LED unit connected to control unit prior to mounting.

**STEP 8**  
**MOUNTING OF LUMINAIRE**

1

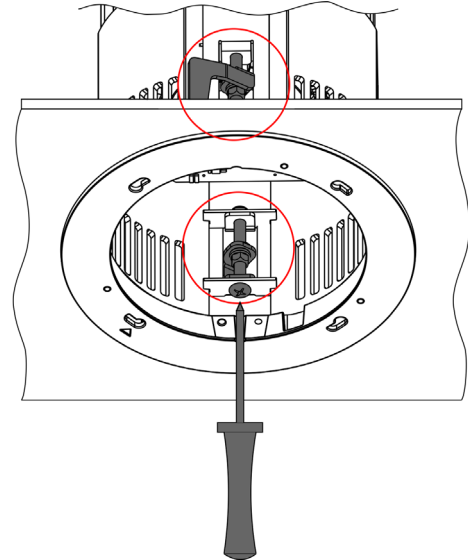
⚠ Make sure all cables are connected before installation. ⚠  
(Instructions above)



Insert luminaire into prepared ceiling opening.

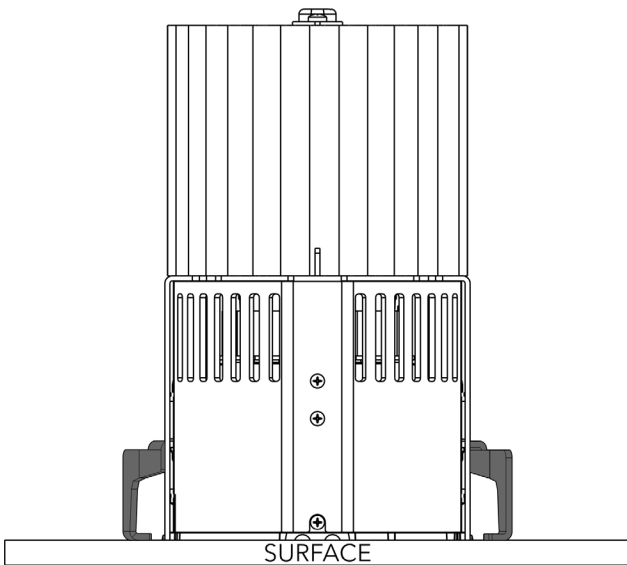
2

2X ⊕

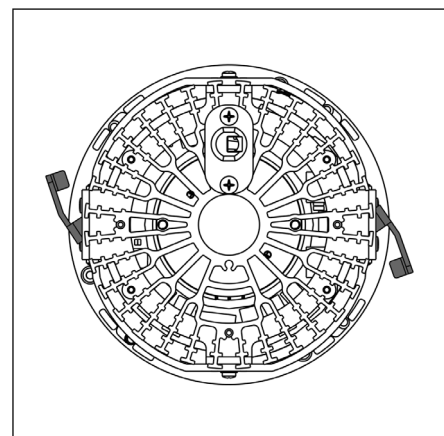


Secure the luminaire in the ceiling opening with two holders, adjustable via two screws located inside the luminaire. Use PH2 screwdriver to screw the holders into extended downward position, until they are holding the luminaire firmly in the ceiling.  
(Clockwise - holder moves down, Counter-clockwise - holder moves up)

3



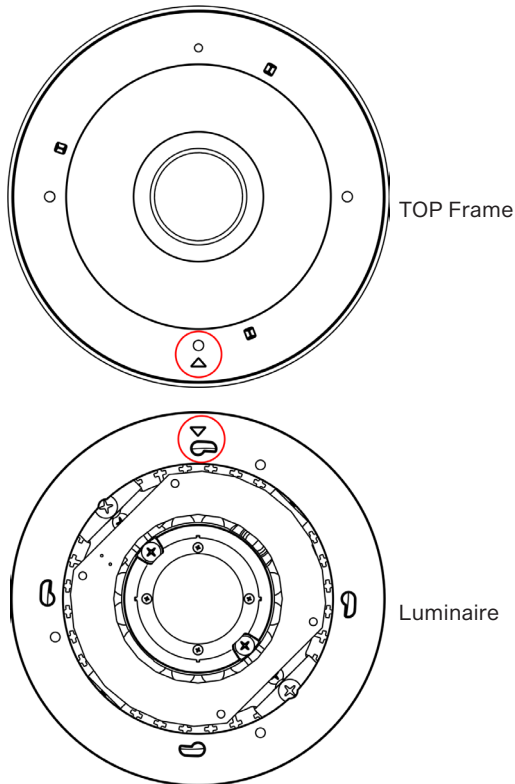
Holders in extended downward position holding the fixture in the ceiling opening.



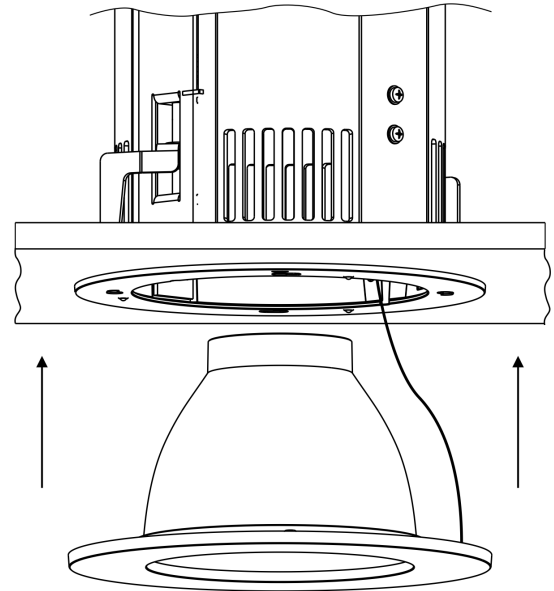
Top view of luminaire with extended holders.

**STEP 9  
ASSEMBLING FRAME WITH OPTICS**

1



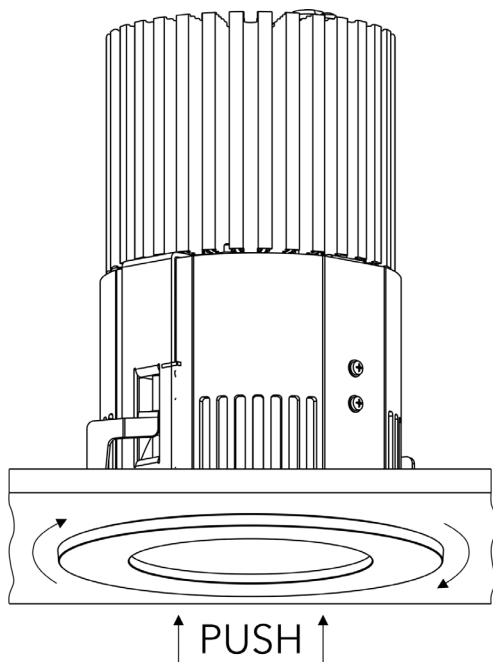
2



Position the Top frame according to installation marks. Marks of the luminaire and Top frame must be on top of each other.

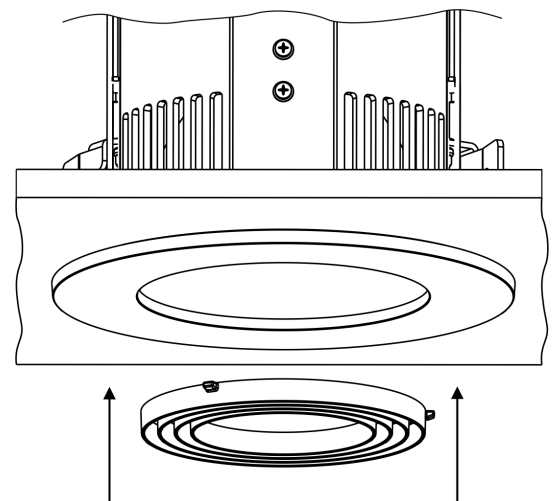
Insert Top frame with optics into luminaire.

3



Push Top frame into luminaire and twist it clockwise, until it's locked in the position.

**STEP 10  
INSTALLATION OF ACCESSORIES  
RING LOUVER FOR 20° REFLECTOR**



Insert the Ring Louver into the Top frame.