

ARCPower™ UNIT PIXEL RACK / WALL MOUNT

The ArcPower Unit Pixel is available in Rack or Wall mount options for maximum installation flexibility. Integrating the latest technology to offer even greater performance in terms of both efficiency and flexibility, and capable of producing both 48 V and 24 V as outputs, allowing global use without power compatibility issues. 8 individual outputs on the 48 V version (6 on the 28 V version) allow cabling of fixtures efficiently and economically, especially when using pixel based luminaires.



KEY FEATURES

Control Protocol (connector)

ArcPower Unit Pixel can be controlled by wide variety of protocols (DMX512, ArtNet, MANet, MANet2, sACN).

Input Voltage

Input voltage can be between 100 and 240 V AC 50/60 Hz. Output power supply cable has 1 m (3.28 ft.) length.

Physical (max WxHxD)

Box dimensions are 484 x 90 x 321 mm – 6.5 kg (19.05 x 3.54 x 12.64 in. – 14.3 lbs) Power unit can be mounted on rack or on wall.

CONTROL & PROTOCOLS



OPTIONAL



OPTIONAL

STANDARD & SPECIFICATION



OPTIONAL



Warranty with Registration



FINISH OPTIONS



Graphite Black



Silver

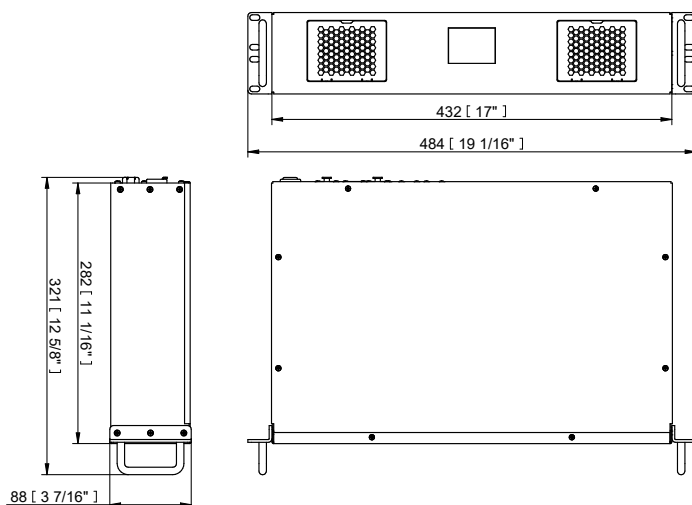


RAL

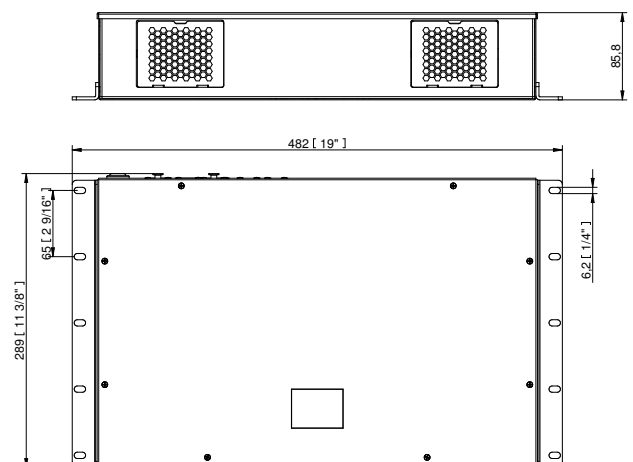
Custom Paint Colour

DIMENSIONS

Rack version



Wall Mount version



SPECIFICATION SHEET

ARCPower UNIT PIXEL RACK / WALL MOUNT

ARCPower UNIT PIXEL RACK / WALL MOUNT SPECIFICATION

ELECTRICAL	Input Voltage	100 - 240 V AC 50 / 60 Hz (CE) 100 - 277 V AC 50 / 60 Hz (US)
	Typical Power Consumption	1400 W +/- 10 % (CE), 1000 W (US 48 V), 700 W +/- 10 % (US 28 V)
	Max. Output Voltage	48 V (CE), 28 V, 48 V (US)
CONTROL	Interface Protocol	USITT DMX512, RDM, ArtNet, MANet, MANet 2, sACN
	Operating Modes	DMX, Master/Slave, Stand-alone
	Display	Graphic Touch Screen (50 x 40 mm / 1.97 x 1.57 in.)
	Programs / Functions / Features	Editable Program: 3 (up to 40 steps each)
PHYSICAL	Width x Height x Depth	Rack Mount: 484 (432) x 88 x 321 (282) mm (19.05 (17) x 3.54 x 12.64 (11.10) in.) Wall Mount: 482 (432) x 88 x 289 mm (18.97 (17) x 3.54 x 11.37 in.)
	Weight	6.5 kg /14.3 lbs
	Number of LED Output zones	8 (28 V: 6)
	Typical Max. Load Per Channel (48V)	(CE): 35 x ArcSource Outdoor 4MC Pixel (US / 48 V): 16x ArcSource Outdoor 4MC Pixel
	LED Output	Terminal Block (3-pin and 5-pin)
	DMX Connection In/Out	Terminal Block, 2 x 5-pin XLR
	Ethernet Connection	RJ45
	Other	Trigger Input, Max. 5 V DC (terminal block) 12 V DC Output for DMX Controller
	Mounting Method	Wall Mount or Rack Mount
	Finish Options	Standard Colour - Graphite Black (RAL 9011), Silver (RAL 9006) Cost Option - Custom RAL
	Protection Factor	IP20 / Suitable For Dry Locations
	Cooling System	Fan Cooled
	Operating Ambient Temperature	0 °C / +40 °C (+32 °F / +104 °F)
	Operating Temperature	+75 °C @ Ambient +50 °C (+167 °F @ Ambient +122 °F)
	Total Heat Dissipation	4770 BTU/h (calculated)
	Operating Temperature Range	-10 °C / +40 °C (14 °F / +104 °F)
	CERTIFICATION	Listings
ACCESSORIES		Terminal Block, 2 x 5-pin XLR

