

# AMBIANE™ XP56 PENDANT

## INSTALLATION INSTRUCTIONS

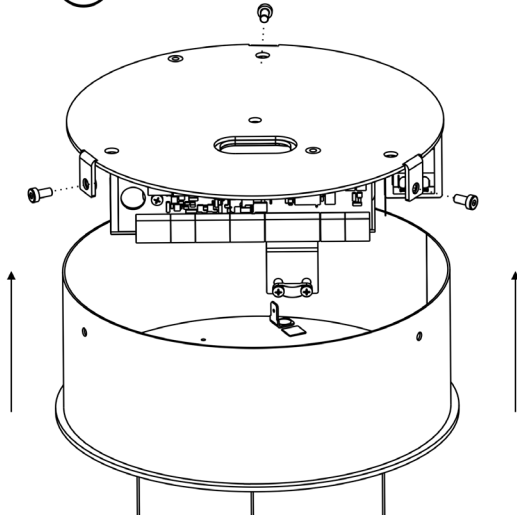


The unit must be installed by a qualified electrician in accordance with all national and local electrical and construction codes and regulations. This device falls under class I and must be grounded!



### STEP 1 UNCOVERING THE SUPPLY UNIT

3X  M4x8

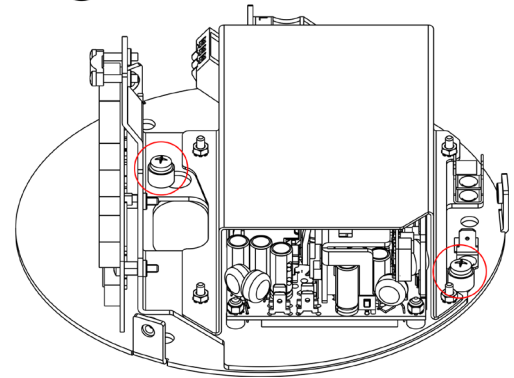


Unscrew three screws on sides of the supply unit and remove the cover.

### STEP 2 POWER SUPPLY UNIT REMOVAL

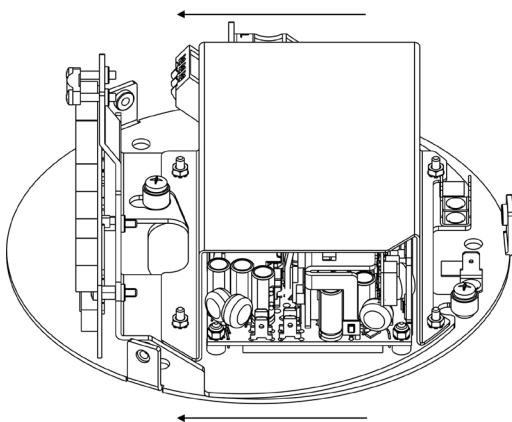
1

2X  M4x10



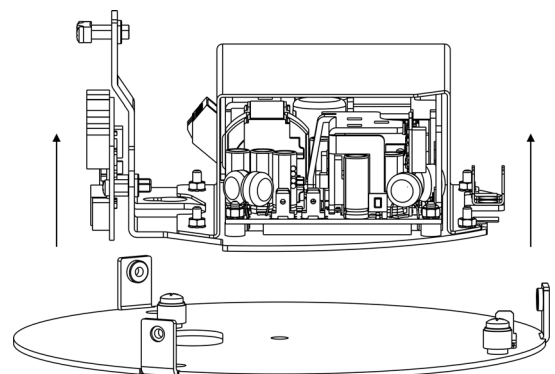
Unscrew the highlighted screws by two full turns to loosen them, but don't remove them entirely.

2



Slide the power supply to loosen position.

3

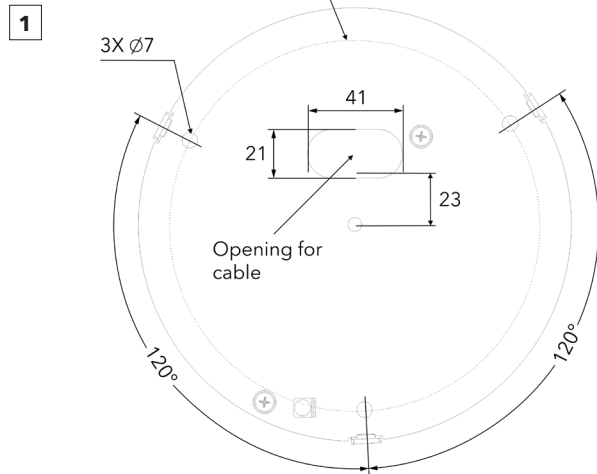


Separate the power supply from the base plate.

# AMBIANE™ XP56 PENDANT

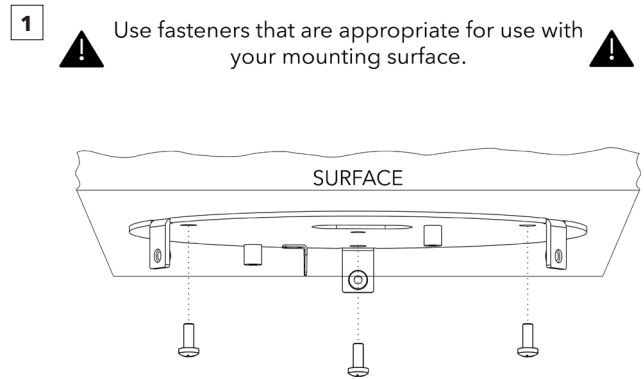
## INSTALLATION INSTRUCTIONS

### STEP 3 PREPARATION OF MOUNTING HOLES INTO CEILING



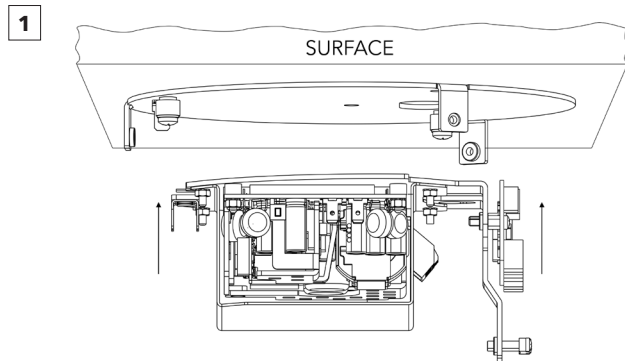
Prepare three holes for fastening and one hole for power and data cables on the ceiling.

### STEP 4 MOUNTING THE BASE PLATE

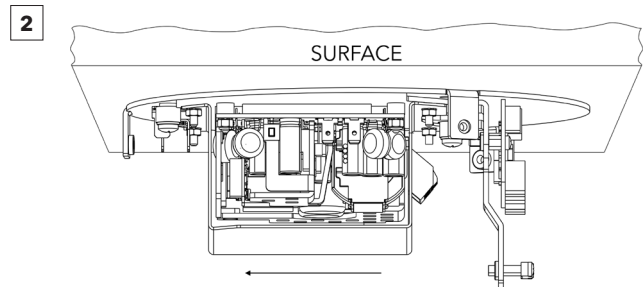


Secure base plate by three screws and tighten them properly.

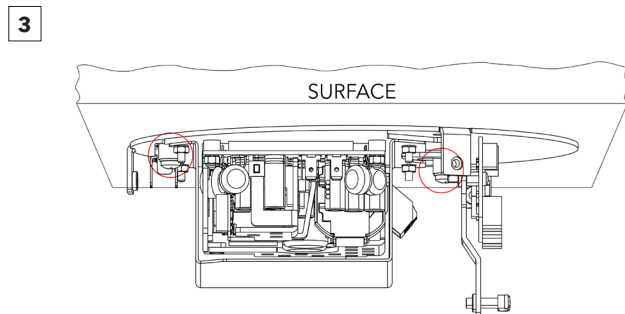
### STEP 5 MOUNTING POWER SUPPLY ON THE BASE PLATE



Place back the power supply onto the base plate.

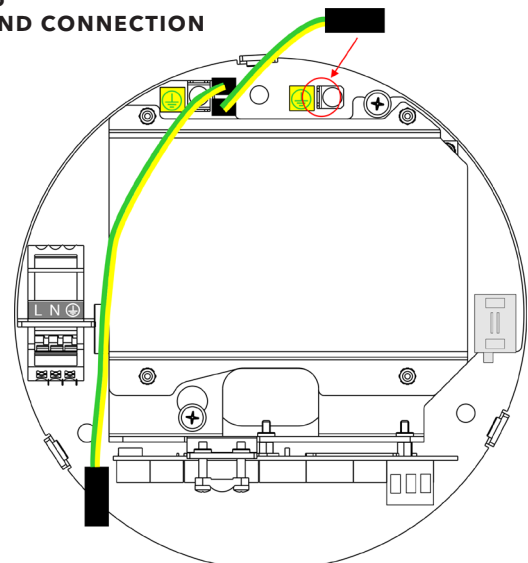


Slide the power supply to its initial position.



Fasten the power supply to the base plate by tightening two highlighted screws.

### STEP 6 GROUND CONNECTION



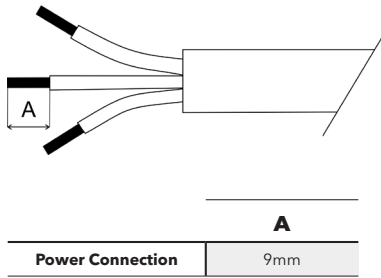
Connect shorter grounding wire to the grounding point.

# AMBIANE™ XP56 PENDANT

## INSTALLATION INSTRUCTIONS

### STEP 7 PRIMARY POWER CONNECTION

1



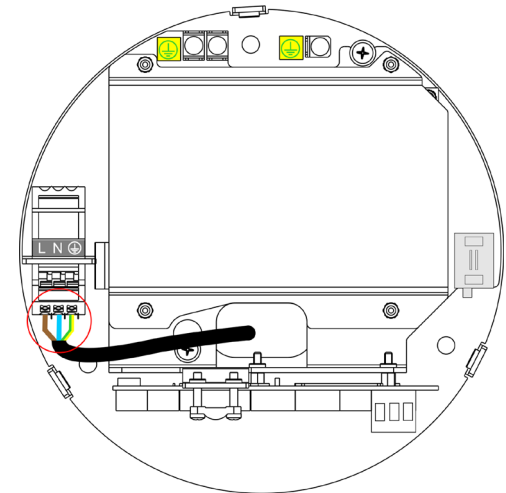
Strip 9 mm of power cable's wires.

2

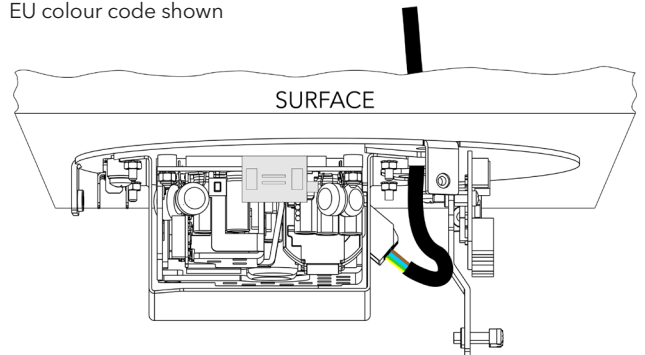
Pull the power cable through prepared hole and connect it to the terminal block on the power supply.

Power Connection - Power IN

	L	N	GROUND
Core (EU)	Brown	Blue	Green/Yellow
Core (US)	Black	White	Green

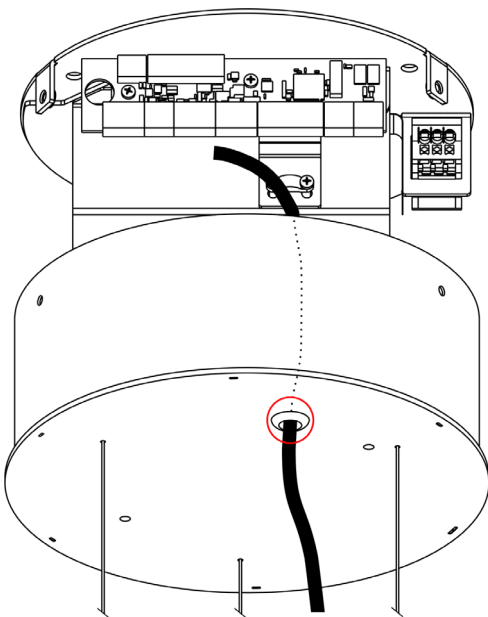


EU colour code shown



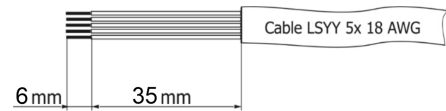
### STEP 8 LED UNIT CABLE CONNECTION

1



Shorten the LED unit's cable to necessary length and insert it via rubber grommet in the base cover.

2

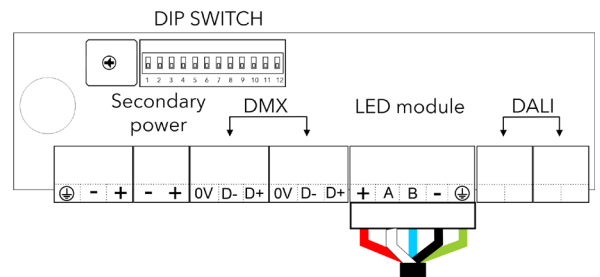


Strip these lengths for cable connections.

LED Unit Connection

TERMINAL BLOCK	+	A	B	-	GROUND
Colour of Wire	Red	White	Blue	Black	Green/Yellow

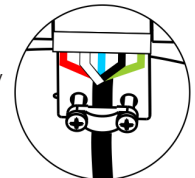
3



Install terminal block on DMX or DALI cable and connect it to the control unit (power supply unit).

4

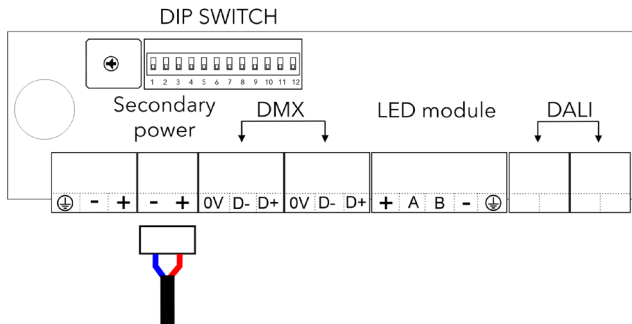
Secure the cable to the supply unit by clamp and two screws.



# AMBIANE™ XP56 PENDANT

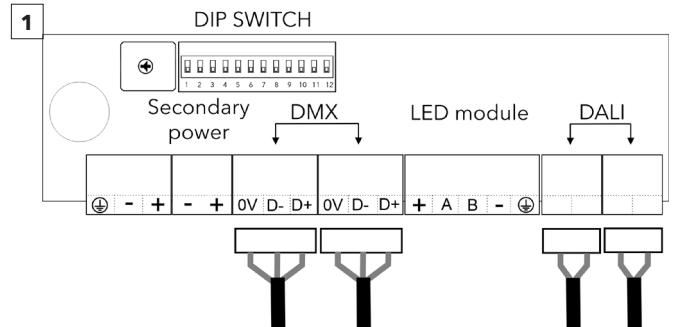
## INSTALLATION INSTRUCTIONS

### STEP 9 SECONDARY POWER CONNECTION 48V (PSU SCOPE OF OTHERS)



Install terminal blocks on cable and connect it to the control unit.

### STEP 10 IN/OUT DATA CHAIN CONNECTION



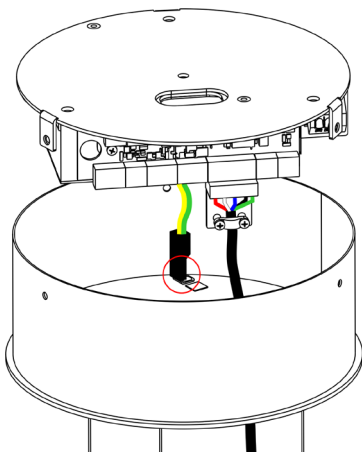
Install terminal blocks on DMX or DALI cables and connect them to the control unit (power supply).

#### 2 DMX CONNECTION

0V	D-	D+
Data Ground	Data -	Data +

Set the DIP switches to positions according to your operation mode. The fixture can be controlled by DMX or DALI. Set 11=OFF for control by DMX or DALI.

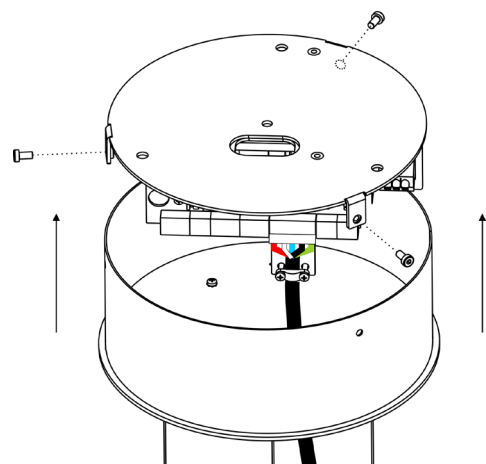
### STEP 11 GROUNDING WIRE CONNECTION TO BASE COVER



Connect the remaining grounding wire to the grounding point on the base cover.

### STEP 12 MOUNTING THE COVER ON THE BASE PLATE

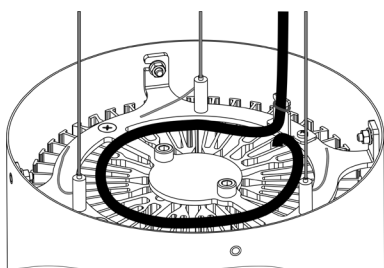
3X M4x8



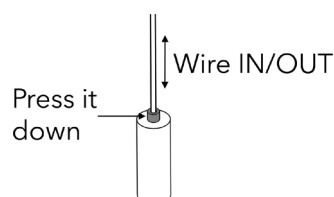
Place the base cover on the base plate and fasten it by means of three screws M4x8.

### STEP 13 ADJUSTING THE HANGING WIRE LENGTH

1

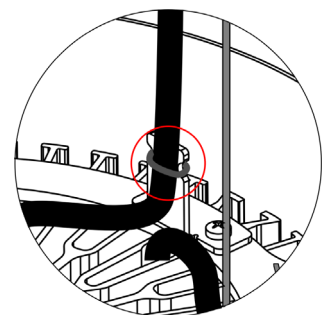


Store an redundant cable as instructed on the picture above. Maximum of one full loop to prevent overheating.



Press down pins on the hanging wires anchors for length adjustment.

2



Fasten the LED unit's cable to holder using a cable binder.