

AMBIANE™ HP111 RECESSED

As the mid-size luminaire in the Ambiane™ family, the new Ambiane™ HP111 is designed for lower ceiling installations or to cover areas where the power of the Ambiane™ XP56 is not necessary. Using the same light source specification as all other Ambiane™ family members, the fixture is an ideal add-on to lighting designs using a host of Ambiane™ luminaires. Giving designers and installers a choice of 20, 40, 60 or 80-degree optical beam spreads, the Ambiane™ HP111 provides an endless array of positioning options across an entire installation. The incorporation of our L3™ (Low Light Linearity) dimming system allows seamless fades to black even when mixed with traditional sources. With no UV or IR emissions which make it ideal for museums as well, the fixture is easily controlled via DMX or DALI and is RDM compatible.



KEY FEATURES

LED Output

Available in wide range of color configurations (RGBW, PW, TW, TD), the Ambiane HP111 Recessed utilizes highly-efficient LED modules with CRI 90+ ensuring you can always see every color as it should be. Equally homogenized light output is secured by precisely designed output optics with the highest possible luminous flux 3,239 lm and a 60,000 LED lifetime which guarantees low maintenance cost and long light output. The fixture offers many different beam spreads (20°, 40°, 60° and 80°) for the precise light needed in your lighting installation.

Control

Thanks to our unique L3™ (low light linearity) 18-bit dimming system, ultra-smooth fade to black and color mixing are now possible. The fixture's remote setting and device management is realized through DALI and DMX512 control protocols with RDM support and intelligent power balancing (always 75W output in any mixed color).

Installation

An ideal replacement for an outdated AR111 fixture, the Ambiane HP111 offers the possibility of a backup power connection to protect against any unexpected black-out and operate as emergency lighting.

CONTROL & PROTOCOLS



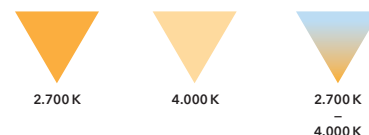
STANDARD & SPECIFICATION



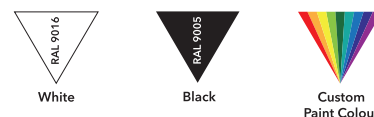
COLOURS



COLOUR TEMPERATURES



FINISH OPTIONS



OPTIC OPTIONS



AMBIANE HP111 RECESSED SPECIFICATION

ELECTRICAL	Input Voltage	48 V DC			
	Input Voltage range	44-50 V DC			
	Max. Power Consumption (Primary power Secondary power)	75 W 20 W			
	Max. Operating time for Sec. power	3 hours			
OPTICAL	Light Source	High Power LED module			
	Colour Variants	RGBW (W 2700 K or 4000 K)	Pure White	Tunable White	Tungsten Dim
	Colour Temperature of White	PW 2700 K or 4000 K TW 2700-4000 K TD 3200 K			
	CRI	90+			
	Beam Angle	20° 40° 60° 80°			
	Lumen Output Delivered	2.289 lm (RGBNW at 20° 4000 K)			
		3.024 lm (RGBNW at 40° 4000 K)			
		3.239 lm (RGBNW at 60° 4000 K)			
3.145 lm (RGBNW at 80° 4000 K)					
Projected Lumen Maintenance	60.000 hrs (L70 @ 25 °C / 77 °F)				
CONTROL	Interface Protocol	USITT DMX512, RDM, DALI, 0-10 V			
	DALI Type	DALI 2 Type 6			
	Control System	ArcControl Range or any Third Party Controller			
	DMX Modes	5 (for RGBW version)			
	DMX Channels	4, 3, 12, 3, 6			
	Settings / Addressing	DIP Switch			
	Power Supply	Ambiane Power HP (48 V / 100 W)			
Ambiane Power Rack (CE/US)					
PHYSICAL	Width x Height x Depth	Ambiane HP111 Recessed 20° - ø160 x 224 mm (ø6.2 x 8.7 in.)			
		Ambiane HP111 Recessed 40° - ø160 x 227 mm (ø6.2 x 8.9 in.)			
		Ambiane HP111 Recessed 60° - ø160 x 210 mm (ø6.2 x 8.2 in.)			
		Ambiane HP111 Recessed 80° - ø160 x 194 mm (ø6.2 x 7.6 in.)			
	Weight	2.1 kg 4.6 lbs @ 20°	2.1 kg 4.6 lbs @ 40°	2.0 kg 4.4 lbs @ 60°	2.0 kg 4.4 lbs @ 80°
	Housing	High Pressure Extruded Aluminium Body			
	Finish Options	Standard Color - White RAL9016 Black RAL9005			
		Cost Option - Custom RAL			
	Cables / Connections	Terminal block (Power In, DMX In/Out, DALI In/Out, Secondary Power Input)			
	Mounting Method	Recessed, Via mounted bracket. Cut-Out Diameter: 133 mm / 5.24 in			
		Recessed, Via Yoke			
	Protection Factor	IP20 / Dry location only			
Cooling System	Convection				
Operating Ambient Temperature (Primary power / Secondary power)	-20 °C / +40 °C (-4 °F / +104 °F) -20 °C / +70 °C (-4 °F / +158 °F)				
Max. Operating Temperature	+75°C (167°F)				
CERTIFICATION	Listings	ETL / cETL, RoHS, CE (including ČSN EN 60598-2-22 / Emergency lighting, ISO17067)			
ACCESSORIES	Ambiane Power HP				
	Ambiane Power Rack (CE/US)				
	Ring Louver for Ambiane HP Recessed 20°				

DIAMETER OF CONDUCTORS

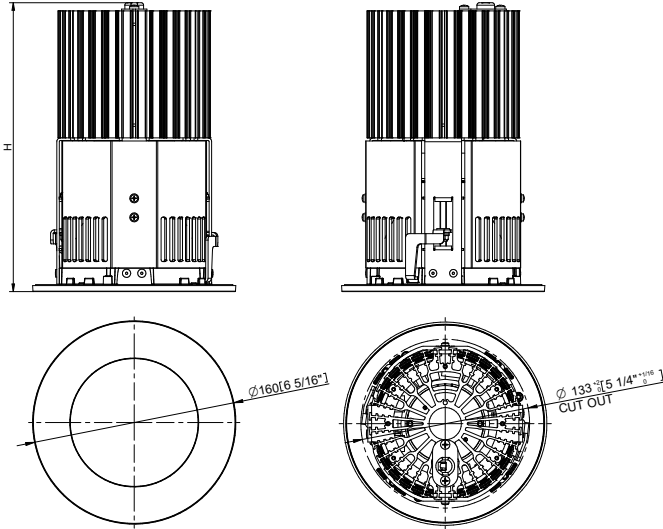
Recommended diameters of conductors with respect to distance between Fixture and Power supply.

Distance / Cable length	25 m	50 m	75 m	100 m
Diameters of conductors	0.5 mm ²	1 mm ²	1.5 mm ²	2 mm ²

DIMENSIONS

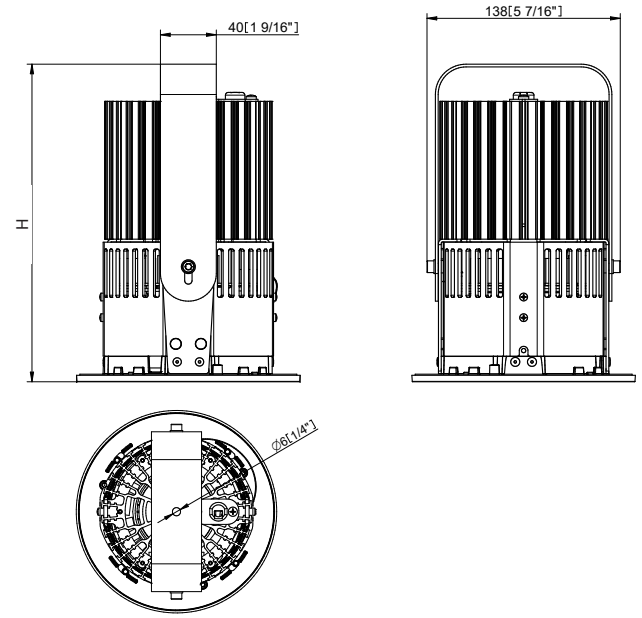
Ambiane HP111 Recessed - standard

Ambiane HP 20° H = 224 mm [8 13/16 in.]
 Ambiane HP 40° H = 227 mm [8 15/16 in.]
 Ambiane HP 60° H = 210 mm [8 1/4 in.]
 Ambiane HP 80° H = 194 mm [7 5/8 in.]

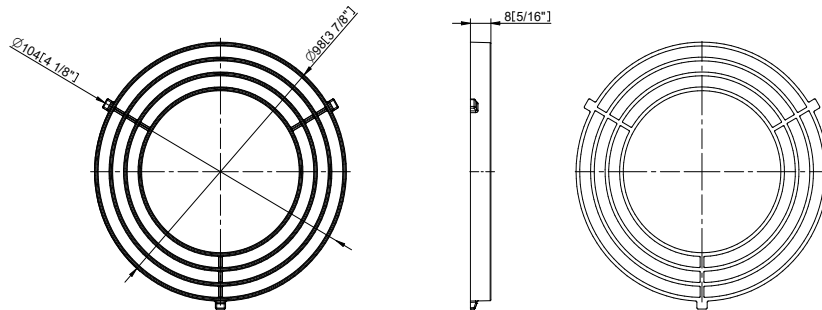


Ambiane HP111 Recessed - version with Yoke

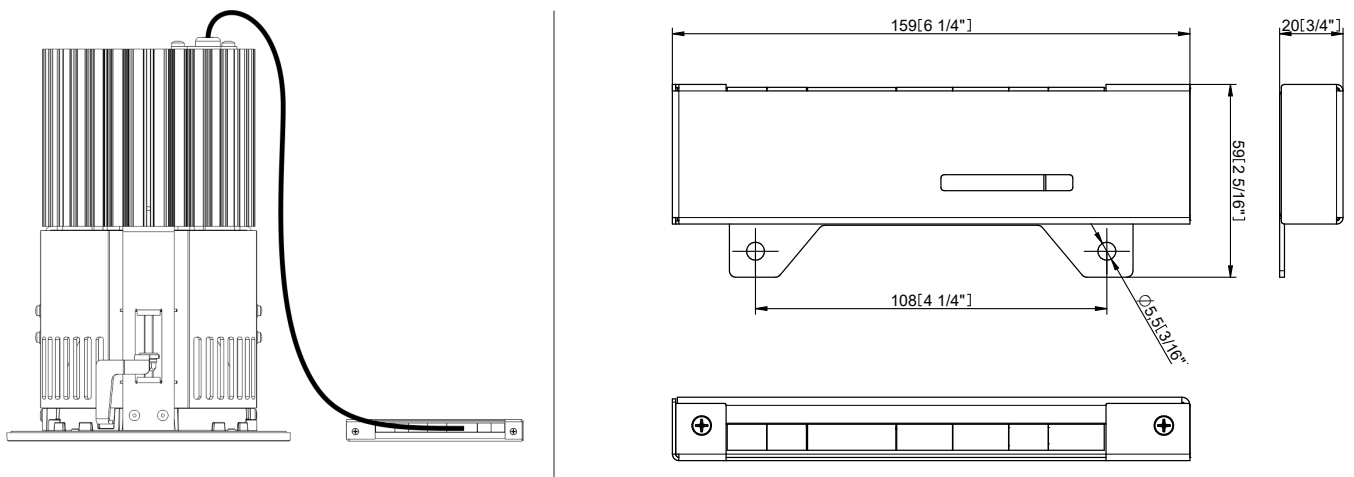
Ambiane HP 20° H = 244 mm [9 5/8 in.]
 Ambiane HP 40° H = 247 mm [9 3/4 in.]
 Ambiane HP 60° H = 230 mm [9 1/16 in.]
 Ambiane HP 80° H = 214 mm [8 7/16 in.]



ACCESSORIES FOR AMBIANE HP111 RECESSED

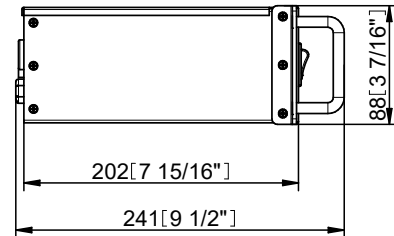
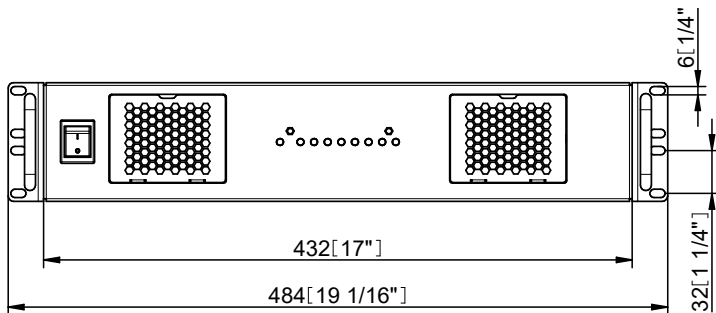
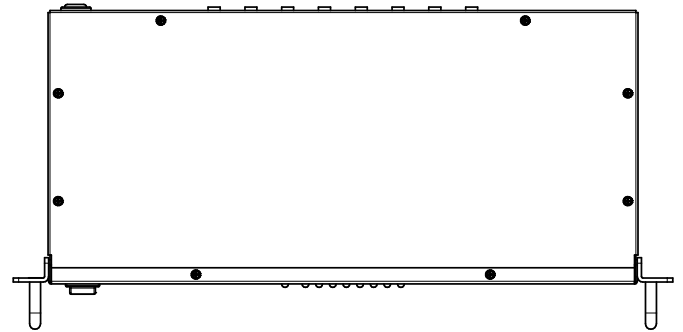
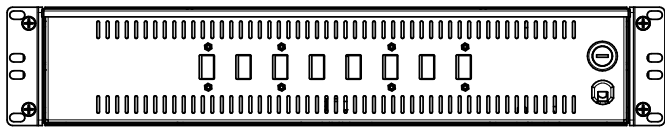


Ambiane HP Connection Unit (Fixed Part of the Luminaire)



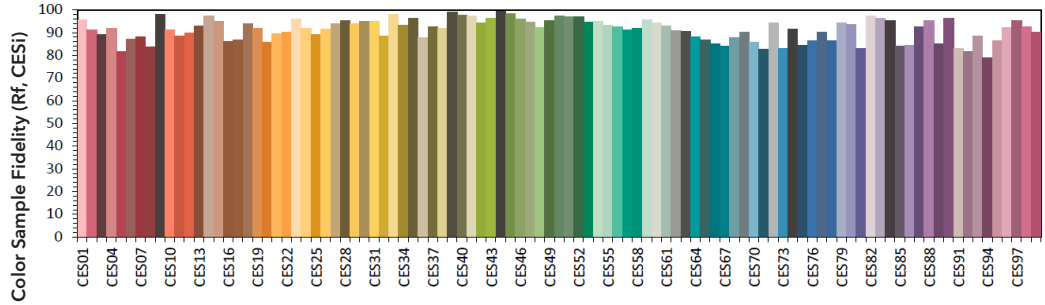
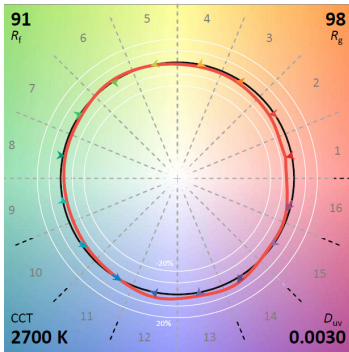
AMBIANE POWER RACK (CE / US) SPECIFICATION

ELECTRICAL	Input Voltage	100 - 240V AC 50/60 Hz (Ambiane Power Rack) 100 - 277V AC 50/60 Hz (Ambiane Power Rack US)
	Maximal Power Consumption	1350W
	Output Voltage	48 V DC
	Outputs	8
	Max. Load per output	200W
	Max. Total Load	1200W
PHYSICAL	Length x Height x Depth	484 / 432 x 88 x 241 / 202 mm (19.05 / 17 x 3.46 x 9.48 / 7.95 in.)
	Weight	5.4 kg 11.9lbs
	Housing	Rack Standard - 2U or Wall Mounted Brackets
	Finish Options	Standard Colour - Graphite Black (RAL 9011) Silver (RAL9006) Cost Option - Custom RAL
	Cables / Connections	8 x Terminal Block (DC power Out) 1x Main Power Cord (w/plug; CE/US)
	Mounting Method	Designed to Rack Box Installation
	Protection Factor	IP20 / Dry locations only
	Cooling System	Fan Cooled
CERTIFICATION	Operating Ambient Temperature	-20 °C / +40 °C (-4 °F / +104 °F)
	Listings	ETL / cETL, CE, RoHS

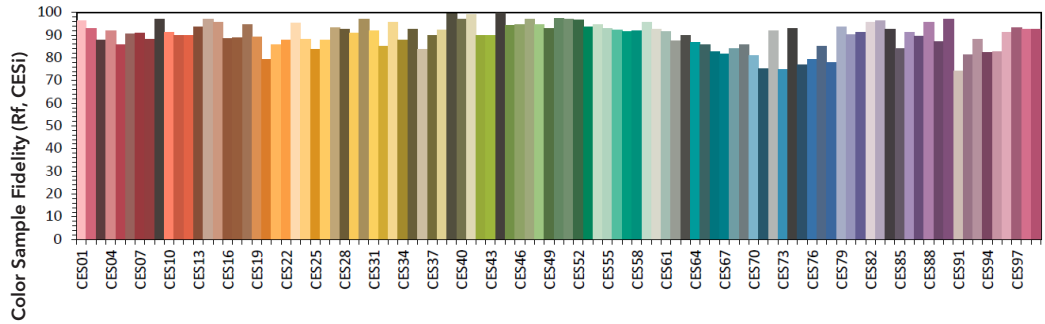
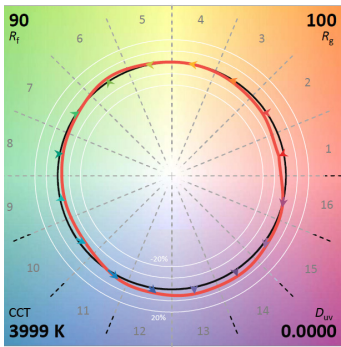


TM30 FOR AMBIANE HP111 RECESSED

RGBWW VERSION



RGBNW VERSION



NOTE: This is a recommended method for displaying ANSI/IES TM-30-18 information.

PHOTOMETRIC OVERVIEW

Lumen Output (lm)

	RGBWW (2700 K)	RGBNW (4000 K)	PW (2700 K)	PW (4000 K)	TW (2700 - 4000 K)	TD (3200 K)
20° with Top Hat	1 109	1 488	1 526	1 911	1 109 - 1 488	1 500
20° without Top Hat	1 705	2 289	2 347	2 940	1 705 - 2 289	2 307
40°	2 253	3 024	3 101	3 884	2 253 - 3 024	3 048
60°	2 413	3 239	3 321	4 160	2 413 - 3 239	3 265
80°	2 343	3 145	3 225	4 039	2 343 - 3 145	3 170

Lumen Output (lm)

Emergency mode (3200K)	1 017
-------------------------------	-------

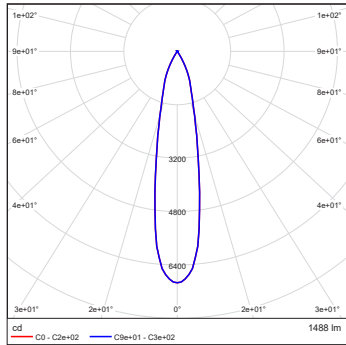
UNIFIED GLARE RATING (UGR)

UGR

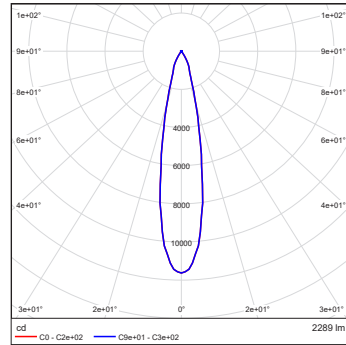
20°	<17 UGR
40°	< 21 UGR
60°	< 22 UGR
80°	< 25 UGR

PHOTOMETRIC DATA

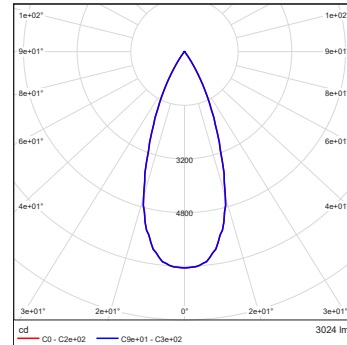
Ambiane HP111 RGBNW 20dg with Tophat



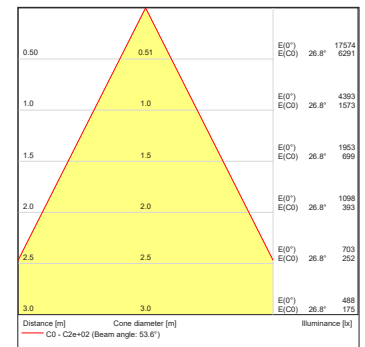
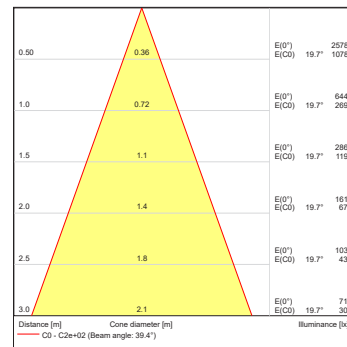
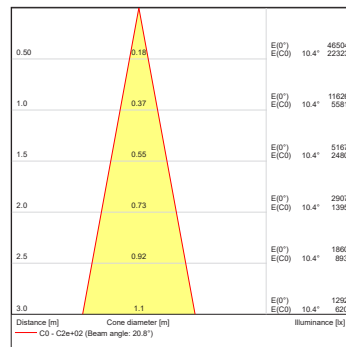
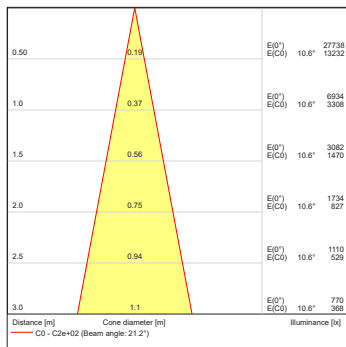
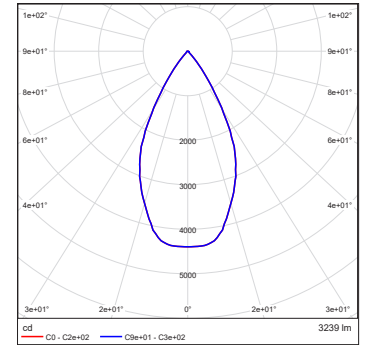
Ambiane HP111 RGBNW 20dg without Tophat



Ambiane HP111 RGBNW 40dg



Ambiane HP111 RGBNW 60dg



Ambiane HP111 RGBNW 80dg

