

ARC SOURCE™ SUBMERSIBLE II

INSTALLATION INSTRUCTIONS

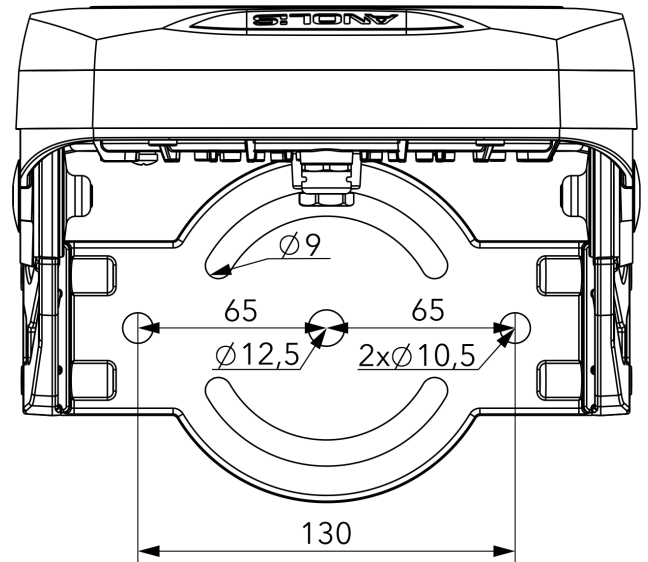
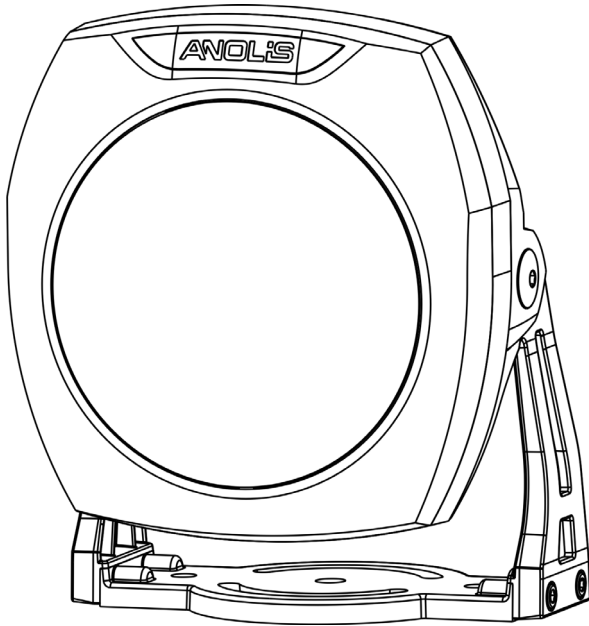


Fixture must be installed by a qualified electrician in accordance with all national and local electrical and construction codes and regulations. This device falls under class one and must be grounded!
The unit is intended only for permanent underwater installation up to depth of 10 m.



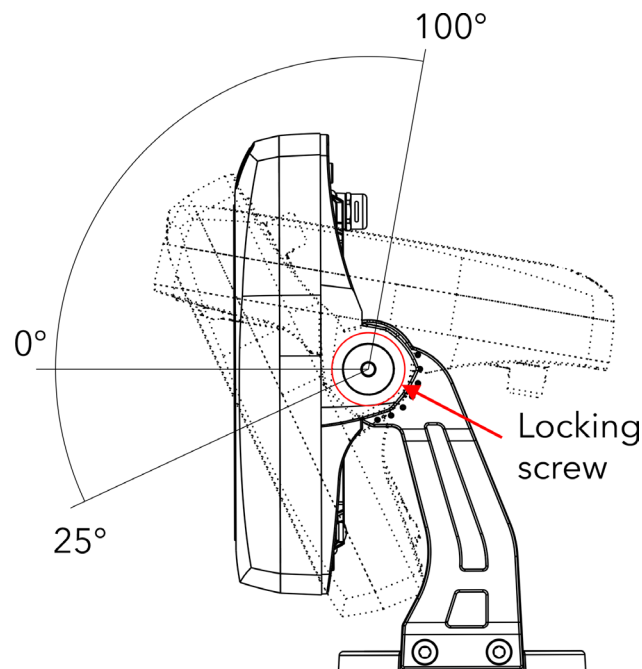
STEP 1.A INSTALLATION WITH STANDARD MOUNTING BRACKETS

1



Drill 2 holes to the surface according to brackets spacing.

2





Release locking screw on each sides. Angle fixture to desired position and tighten locking screw on each sides.

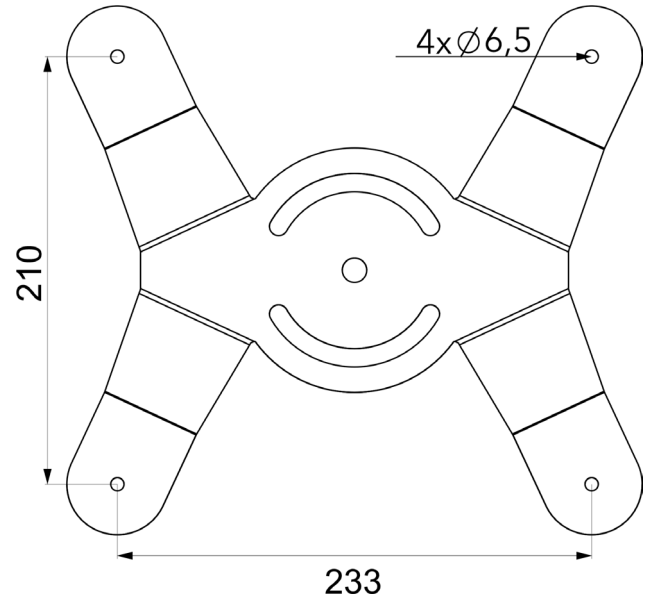
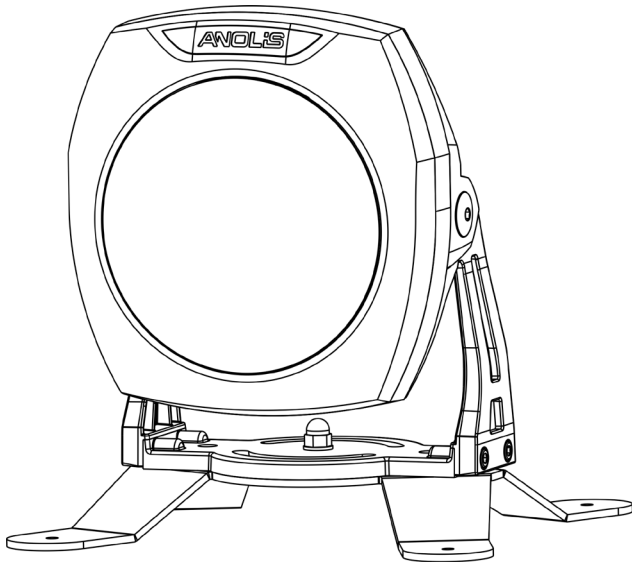
ARCOURCE™ SUBMERSIBLE II

INSTALLATION INSTRUCTIONS

STEP 1.B INSTALLATION WITH FLOOR STAND

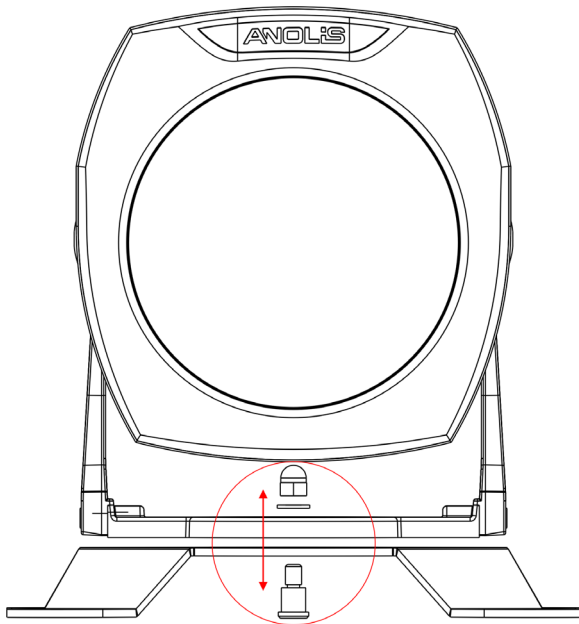
1

Use fasteners that are appropriate for use with your mounting surface.  



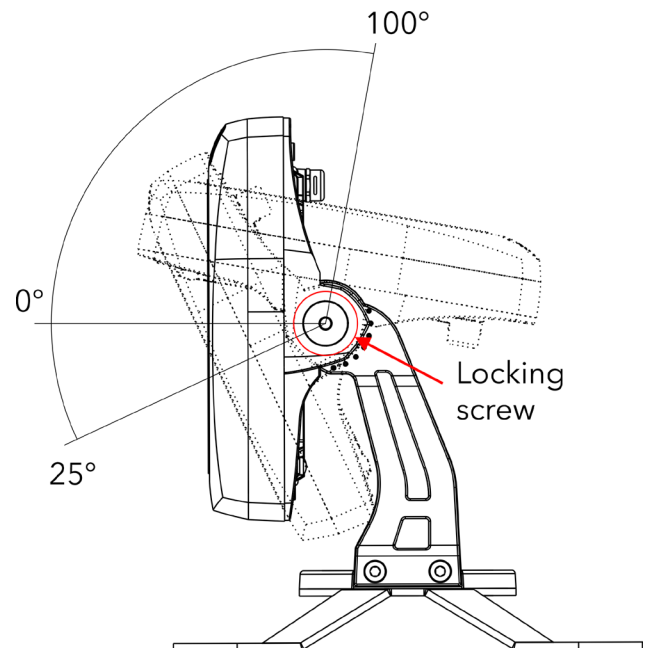
Drill 4 holes to the surface according to brackets spacing.

2



Attach floor stand to fixture with supplied bolt, washer, and cap nut.

3



Release locking screw on each side. Angle fixture to desired position and tighten locking screw on each sides.