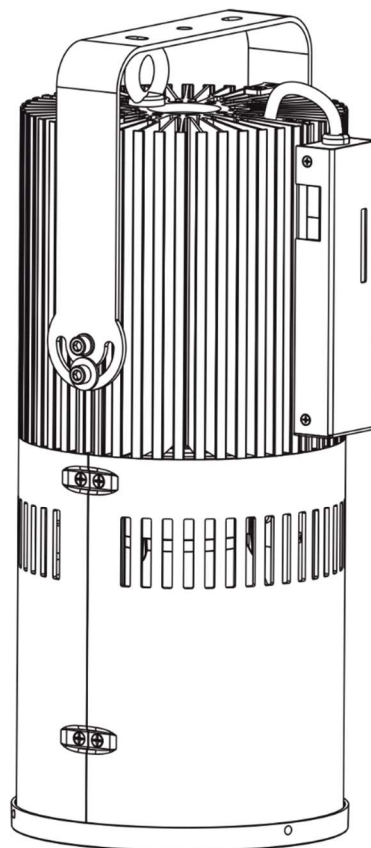


Ambiane XP56 Recessed /W



Version 1.1

Table of contents

1. Attention.....	3
2. Installation	4
2.1. DMX address setting and control	7
3. RDM	7
4. Wireless DMX operation.....	8
5. Optional accessories installation	9
5.1 Trim installation.....	9
5.2 Louver installation	10
5.3 False ceiling mounting adaptor installation	11
6. DMX protocols	12
7. Technical specifications	14
8. Cleaning and maintenance	21
8.1 Software update	21
8.2 Disposing of the product	22

1. Attention

The unit must be installed by a qualified electrician in accordance with all national and local electrical and construction codes and regulations.

The unit was designed for indoor use only.

Do not install the unit near highly inflammable liquids or materials.

Do not allow anything to rest on the unit.

Do not install the unit near an open flame.

Do not install the unit in dirty, dusty or badly ventilated location.

The unit has to be grounded.

A ceiling (structure) intended for installation of the unit(s) must safely hold at least 5 times the weight of the unit(s) fastened on it.

Sufficient air accessing to the housing of the unit has to be ensured, there must not be any heat or anti-noise insulation within a 1m x 1m area around the unit (non-IC rated fixture).

Avoid looking directly into the light beam at close range!



Suitable for fastening on
non-flammable surfaces only



Unsuitable for covering by heat insulation
material

Immunity of the equipment is designed for electromagnetic environments E1, E2, E3 according to the standard EN55103-2 ed.2 Electromagnetic compatibility. Product family standard for audio, video, audiovisual and entertainment lighting control apparatus for professional use. Part 2: Immunity.

The equipment (covers and cables) must not be exposed to a high frequency electromagnetic field higher than 3V/m.

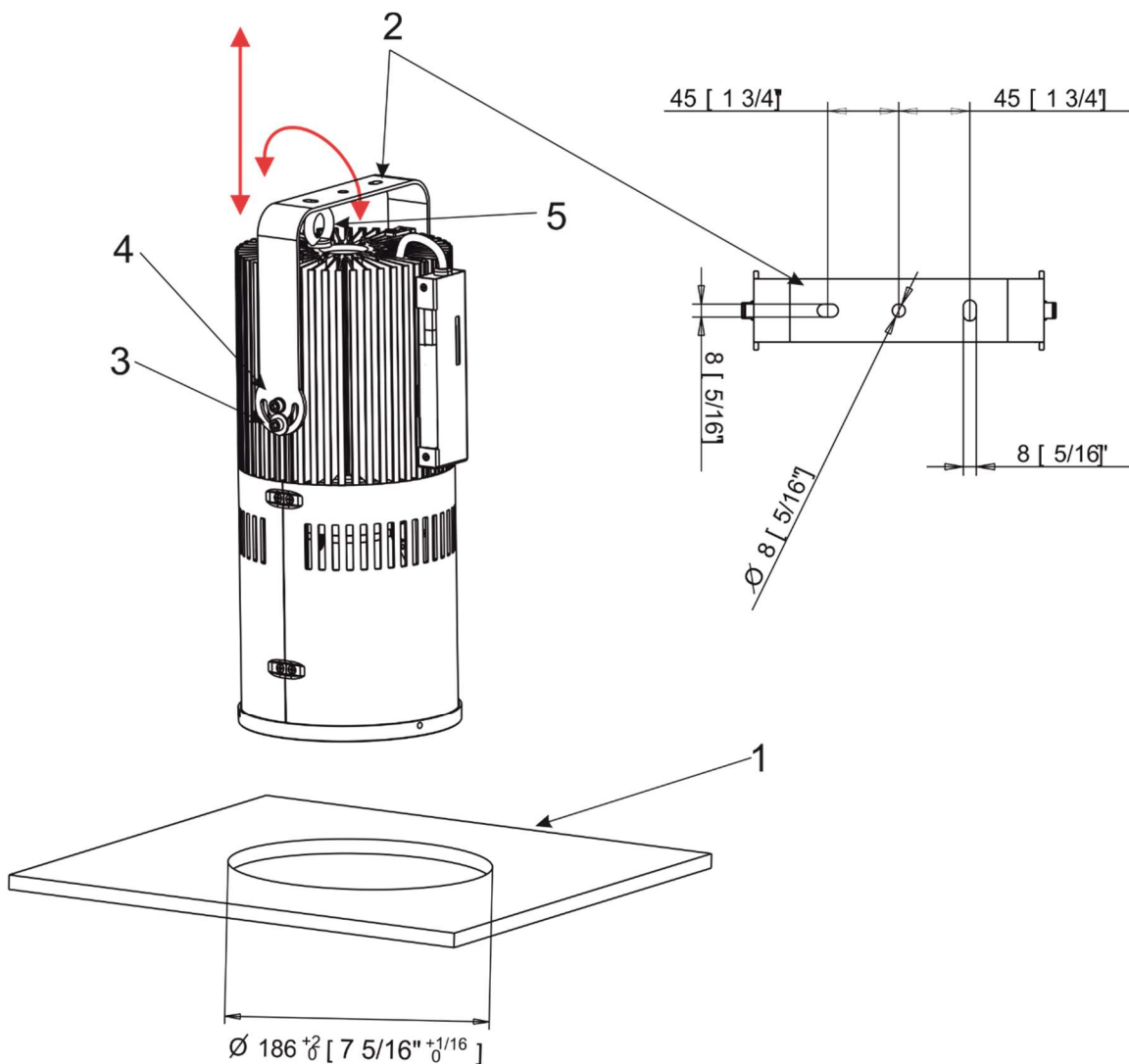
The installation company should check levels of possible interferences above the tested levels E1,E2,E3 given by this standard (e.g. transmitters in surrounding area) before installing the equipment.

Emission of the equipment complies with the standard EN55032 Electromagnetic compatibility of multimedia equipment – Emission Requirements according to class B.

2. Installation

Always switch off power supply of the unit before connecting or disconnecting the unit

1. Prepare a circular opening (diameter of 186mm) in the lower ceiling (1) as shown on the picture below.
If you will use the trim for Ambiane XP Recessed (6), this circular opening in the lower ceiling has to be of diameter of 215mm.
Important: The trim for Ambiane XP Recessed (6) has to be under lower ceiling before its inserting on the housing of the Ambiane XP56.
2. The yoke (2) with three holes serves for fastening the Ambiane XP56 Recessed to the ceiling (construction).
To move the yoke (2) up/down, release both screws (3), (4) on each side of the unit.
To tilt the yoke in range of +/-90° from the vertical axis, release the screw (3) on each side of the unit
Use the Allen key (size 5) to release/tighten screws (3) and (4).
The Ambiane XP56 has to be secured to the ceiling (construction) via a safety wire pulled through the mounting lug (5) which serves for securing of the Ambiane XP 56 Recessed to the ceiling (construction) .

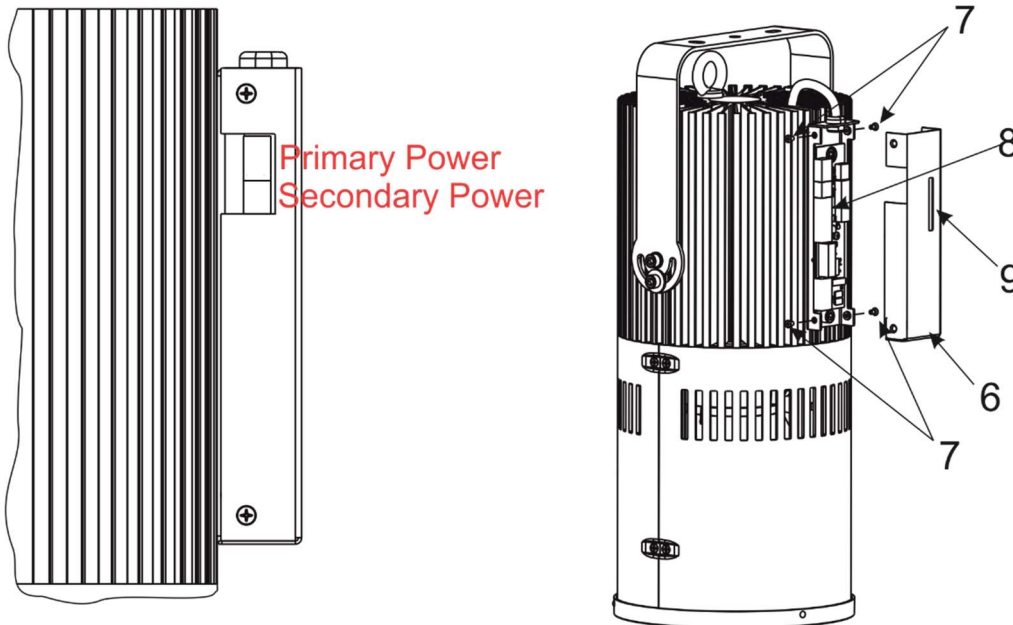


Ambiane XP56 Recessed /W

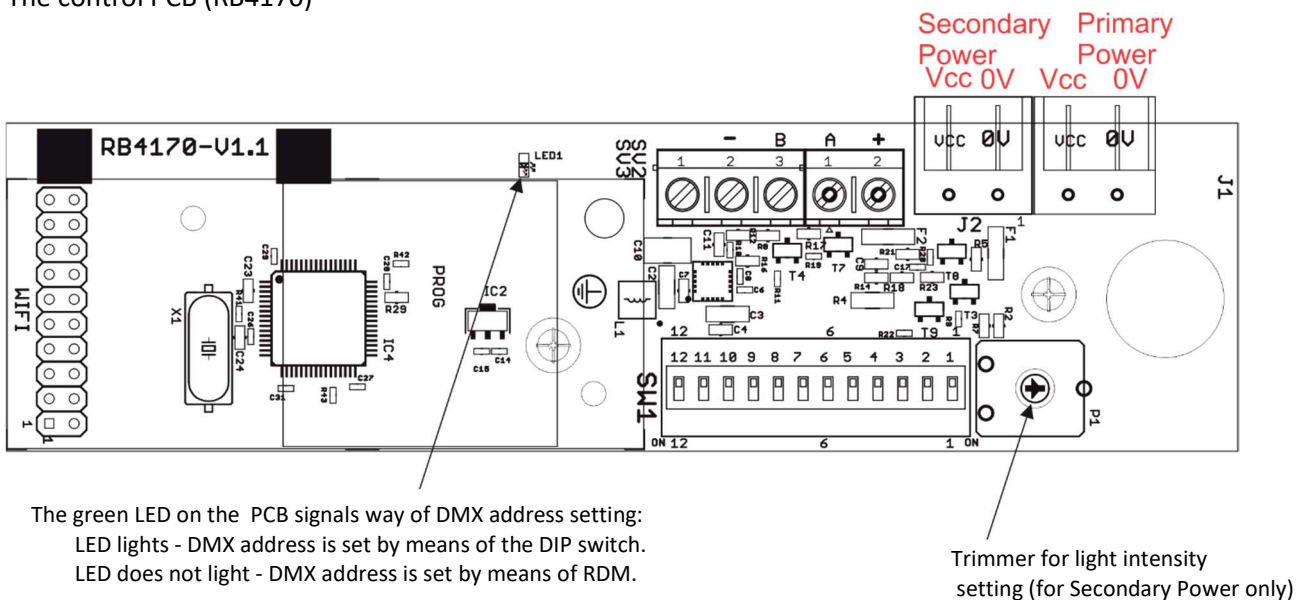
3. Connect the supply cables with installed connectors to the Ambiane XP56.

If you need access to the control PCB RB3729 (8), unscrew the four screws (7) on the cover (6).

The aperture (9) in the cover (6) allows you access to DIP switch.



The control PCB (RB4170)



The primary power input serves for a standard power (e.g. Ambiane Power XP).

The secondary power input serves for a backup power (in case that primary power failed).

If both power inputs are under voltage, the primary power has a priority and the secondary power is disabled. In case of primary power loss, the secondary power is enabled.

If the fixture is supplied via the secondary power, the light output of the fixture is a white colour 3200K (RGBW, TW version) and its light intensity can be set by a trimmer.

Ambiane XP56 Recessed /W

Primary power connection

Connector	Vcc	0V
Function	Power +	Power -

Secondary power connection

Connector	Vcc	0V
Function	Power +	Power -

Max. length of the supply cable between the Ambiane XP56 Recessed and the Ambiane Power XP and Ambiane Power Rack is defined by the following table:

Circular cross-section of wire	Max. cable length
0.5 mm ²	15 m
1 mm ²	30 m
1.5 mm ²	45 m
2 mm ²	60 m
2.5 mm ²	75 m

2.1. DMX address setting and control

The DIP switch on the control PCB (RB4170) allows you to set DMX address and run a test light.



DIP 10 - if it is switched to ON=test light (the fixture lights at 3200K (for RGBW and TW version))

DMX control

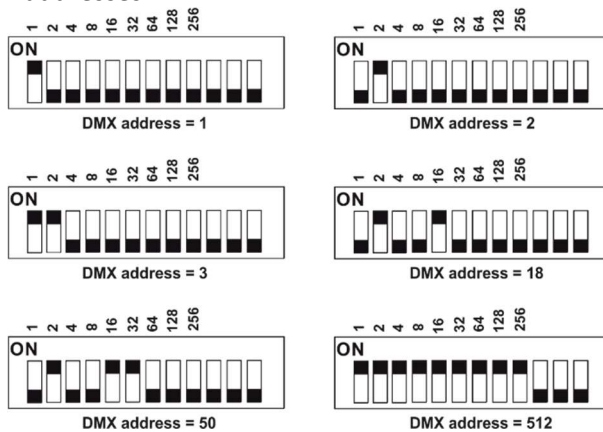
The DMX start address, is the first channel used to receive instructions from the DMX controller. The address may be any channel from 1 to 512. DMX address can be set either by DIP switch or by RDM. DMX address set by RDM overwrites address set by DIP switch and vice versa. The green LED on PCB signals way of DMX address setting:

LED lights-DMX address is set by means of the DIP switch.

LED does not light-DMX address is set by means of RDM.

The DIP 11 has to be set to OFF position.

Example of DMX addresses:



3. RDM

This fixture supports RDM operation. RDM (Remote Device Management) is a bi-directional communication protocol for use in DMX 512 control systems, it is the new open standard for DMX512 device configuration and status monitoring.

RDM allows you to set a DMX address, select DMX mode, readout software version of the fixture etc. It is also used for fixture software update by means of the Robe Uploader.

RDM model ID for the Ambiane XP56 Recessed is 0x0109.

Parameter ID	Discovery command	SET command	GET command
DISC_UNIQUE_BRANCH	*		
DISC_MUTE	*		
DISC_UN_MUTE	*		
DEVICE_INFO			*
SUPPORTED_PARAMETERS			*
SOFTWARE_VERSION_LABEL			*
DMX_START_ADDRESS		*	*
IDENTIFY_DEVICE		*	*
DEVICE_MODEL_DESCRIPTION			*
MANUFACTURER_LABEL			*
DEVICE_LABEL		*	*
DMX_PERSONALITY		*	*
DMX_PERSONALITY_DESCRIPTION			*
RESET_DEVICE		*	
SENSOR_VALUE		*	*
SENSOR_DEFINITION			*
SLOT_INFO			*
SLOT_DESCRIPTION			*
DEFAULT_SLOT_VALUE			*
PARAMETER_DESCRIPTION			*

4. Wireless DMX operation

The wireless DMX version of the Ambiane XP56 Recessed is equipped with the Lumen Radio CRMX module and antenna for receiving DMX signal. CRMX module operates on the 2.4 GHz band.

The Ambiane XP56 Recessed can be only linked with the transmitter by running the link procedure at DMX transmitter .

The fixture can be unlinked from the DMX transmitter by switching off/on 3 three times while the transmitter does not transmit signal (transmitter is off).

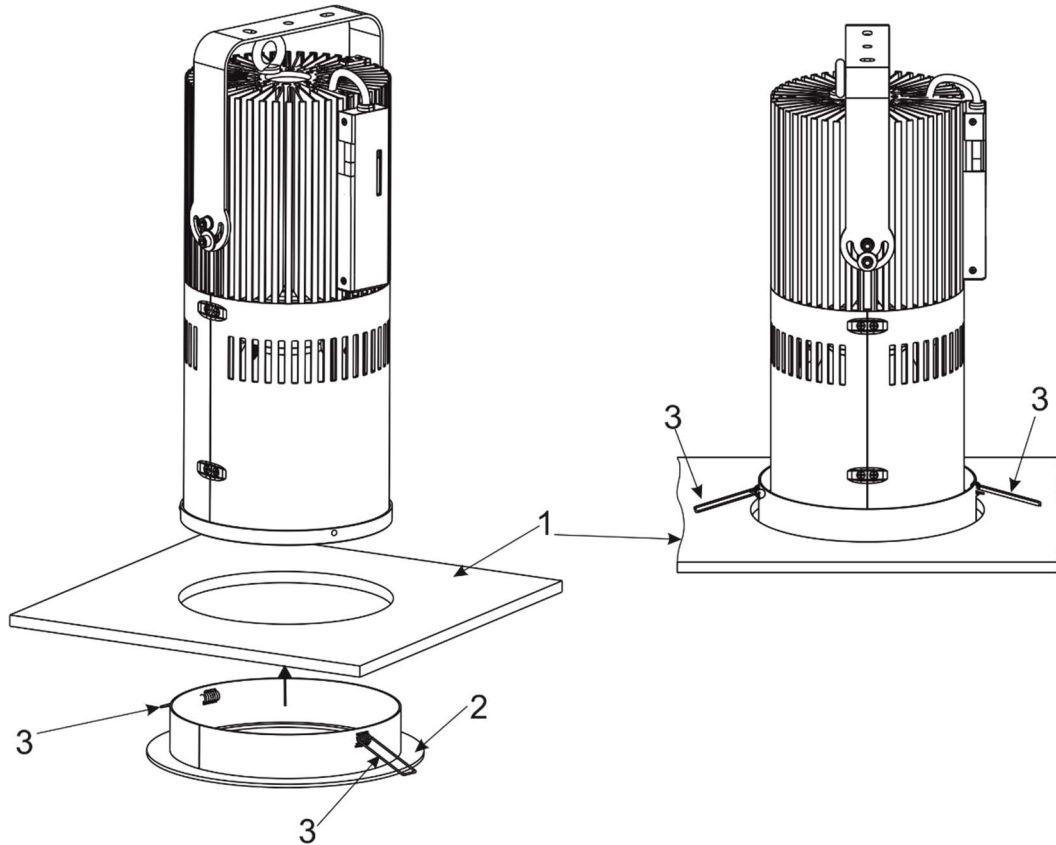
5. Optional accessories installation

5.1 Trim installation

The trim for Ambiane XP Recessed (2) serves for covering of the opening in the lower ceiling (1) if it is required.

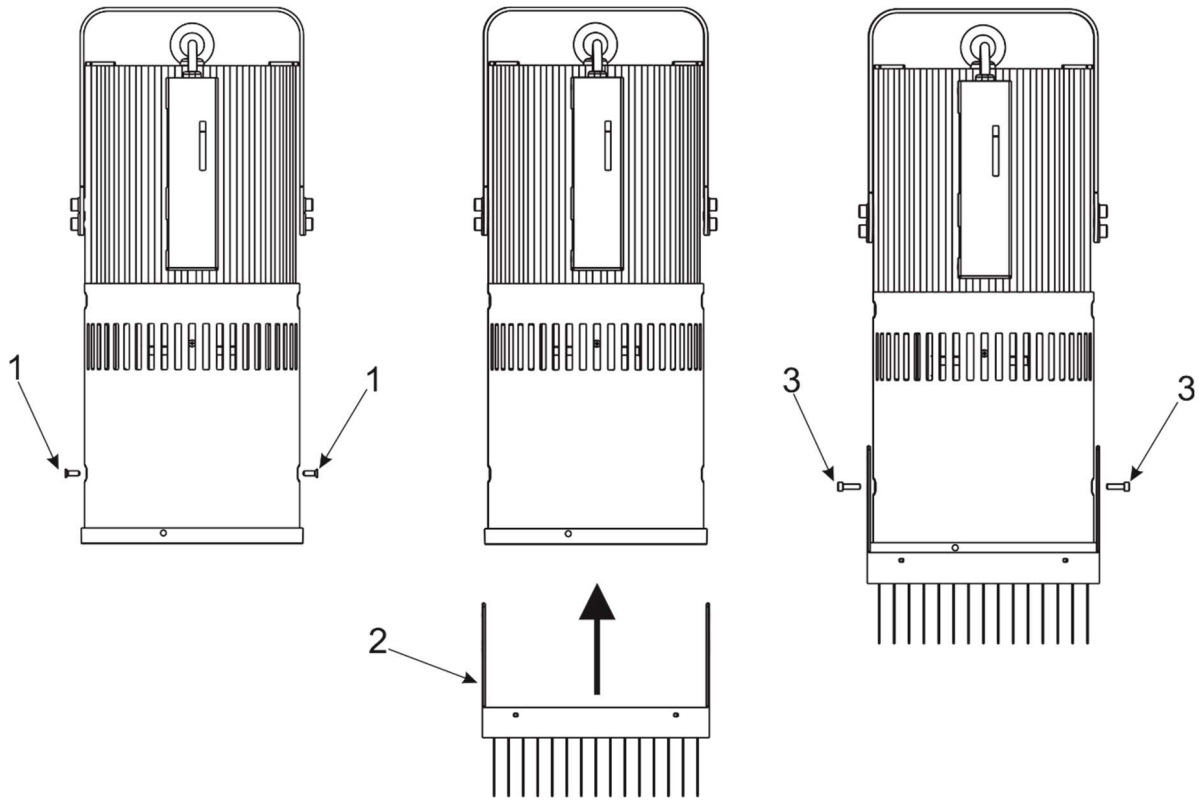
Note: The trim has to be placed under lower ceiling before sliding it onto the housing of the Ambiane XP56.

1. Slide the trim (2) onto the housing of the Ambiane XP56 through the opening in the lower ceiling.
2. Secure the trim in a right position by means of two spring locks (3) which have to lean against ceiling (1).



5.2 Louver installation

1. Unscrew two screws(1) on both sides of the Ambiane XP56.
2. Slide the louver (2) onto the housing of the Ambiane XP56.
3. Secure it by means of two socket head screws M4 x 14 (3) /screws are enclosed with the louver/ on both sides of the housing of the Ambiane XP56.



5.3 False ceiling mounting adaptor installation

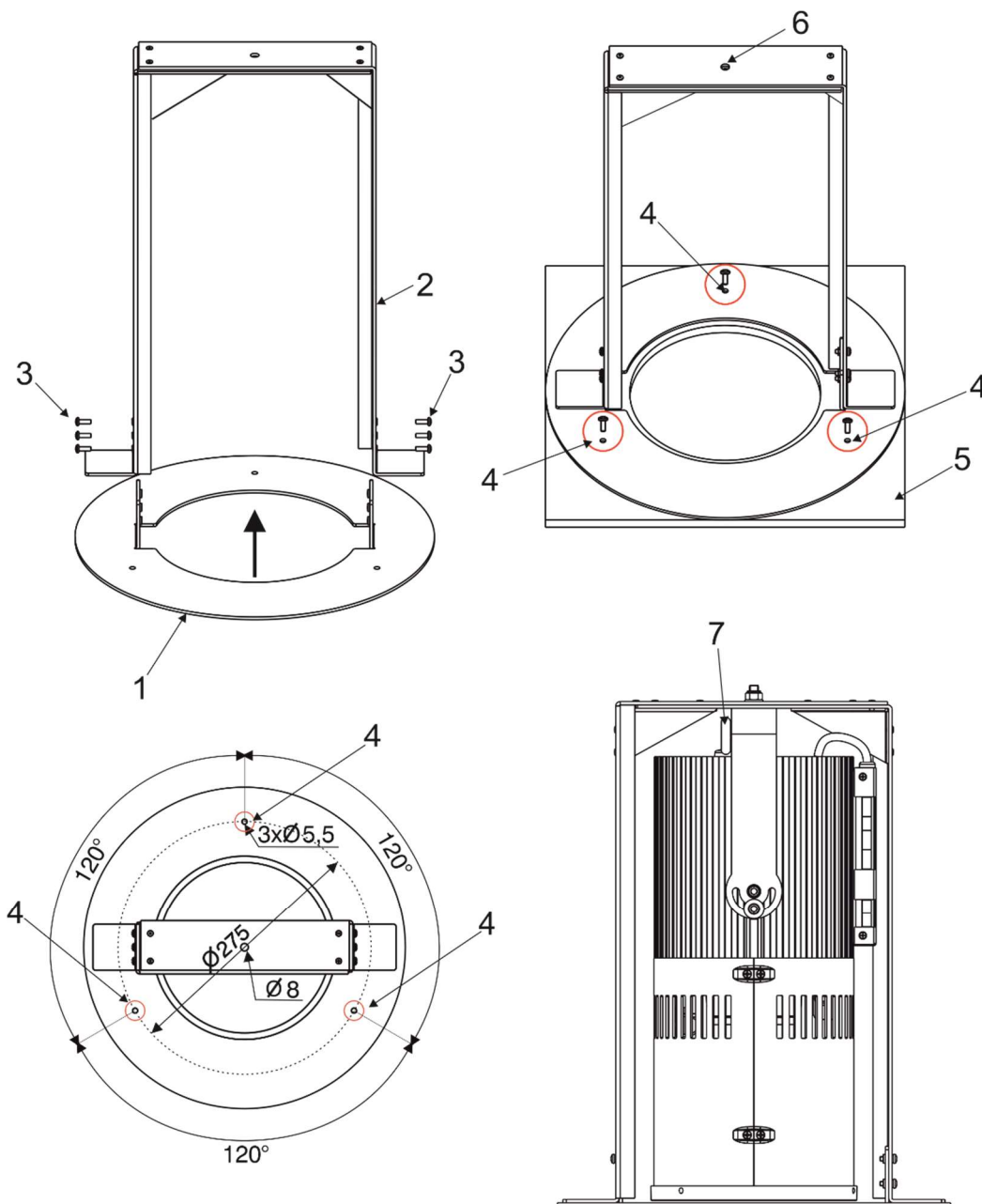
1. Insert the bottom part (1) of the false ceiling mounting adaptor into the top part (2) of the false ceiling mounting adaptor and secure it by means of three screws M4x12 (3) /screws are enclosed with the false ceiling mounting adaptor/ on both sides of the installation tool.

2. Fasten the false ceiling mounting adaptor on the lower ceiling (5) by means of three holes (4) of diameter of 5.5 mm.

The lower ceiling (or another structure) intended for installation of the false ceiling mounting adaptor(s) must safely hold at least 5 times weight of the Ambiane (s) placed on it.

3. Insert the Ambiane XP56 Recessed into the false ceiling mounting adaptor and screw its yoke to the false ceiling mounting adaptor via the mounting hole (6) of a diameter of 8mm.

4. The Ambiane XP56 Recessed has to be secured to the ceiling (construction) via a safety wire pulled through the mounting lug (7). The Ambiane XP56 Recessed must not be secured to the false ceiling mounting adaptor.



6. DMX protocols

Variant RGBW, version 1.1

Mode 1 Channel	Mode 2 Channel	Mode 3 Channel	Mode 4 Channel	Mode 5 Channel	DMX value	Function	Type of control
1	1	1	-	1	0-255	Red Red LEDs saturation control (0-->100%)	proportional
-	-	2	-	-	0-255	Red Fine Red LEDs saturation control (0-->100%)	proportional
2	2	3	-	2	0-255	Green Green LEDs saturation control (0-100%)	proportional
-	-	4	-	-	0-255	Green Fine Green LEDs saturation control (0-->100%)	proportional
3	3	5	-	3	0-255	Blue Blue LEDs saturation control (0 -->100%)	proportional
-	-	6	-	-	0-255	Blue Fine Blue LEDs saturation control (0-->100%)	proportional
4	-	7	-	4	0-255	White White LEDs saturation control (0-->100%)	proportional
-	-	8	-	-	0-255	White Fine White LEDs saturation control (0-->100%)	proportional
-	-	9	1		0 1-127 128 129-255	Green correction Uncorrected white Minus green --> uncorrected white Uncorrected white (128=default) Uncorrected white --> Plus green	step proportional step proportional
-	-	10	2		0 1-10 11-20 21-255	Colour temperature correction (CTC) No function (0=default) Tungsten dimming 2700 K Tungsten dimming 3200 K Colour temperature changing 2700 K--> 6500 K	step step step proportional
-	-	11	3	5	0-255	Dimmer Light intensity coarse (0-->100%)	proportional
-	-	12	-	6	0-255	Dimmer Fine Light intensity fine (0-->100%).	proportional

DMX mode has to be set by RDM.

Variant TW, version 1.1

Mode 1 Channel	Mode 2 Channel	DMX value	Function	Type of control
1	-	0-255	White colour selection White from 2700K-->4000K	proportional
-	1	0-255	Warm White Warm white LEDs saturation control (0-->100%)	proportional
-	2	0-255	Cool White Cool white LEDs saturation control (0-->100%)	proportional
2	3	0-255	Dimmer Light intensity (0-->100%)	proportional

Ambiane XP56 Recessed /W

Variant TD, PW version 1.1

Mode 1 Channel	Mode 2 Channel	DMX value	Function	Type of control
1	1	0-255	Dimmer Light intensity coarse (0-->100%)	proportional
-	2	0-255	Dimmer Fine Light intensity (0-->100%)	proportional

7. Technical specifications

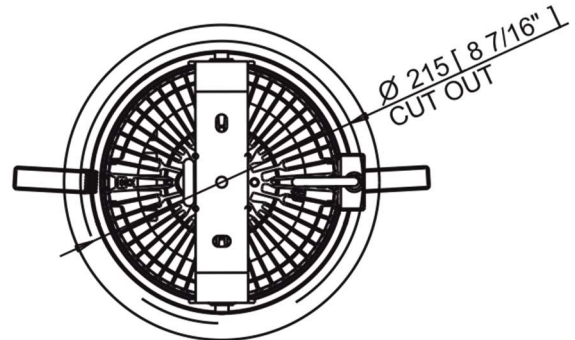
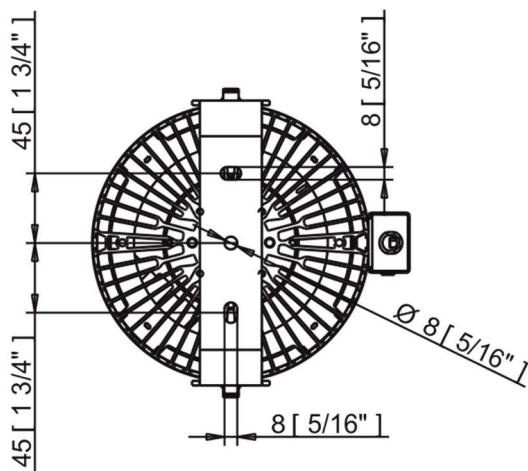
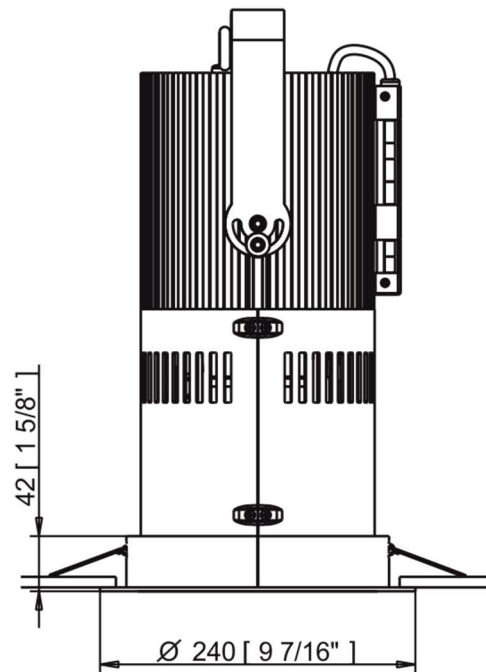
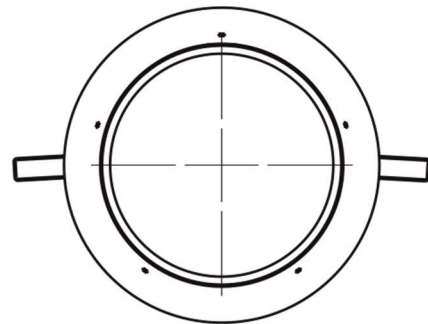
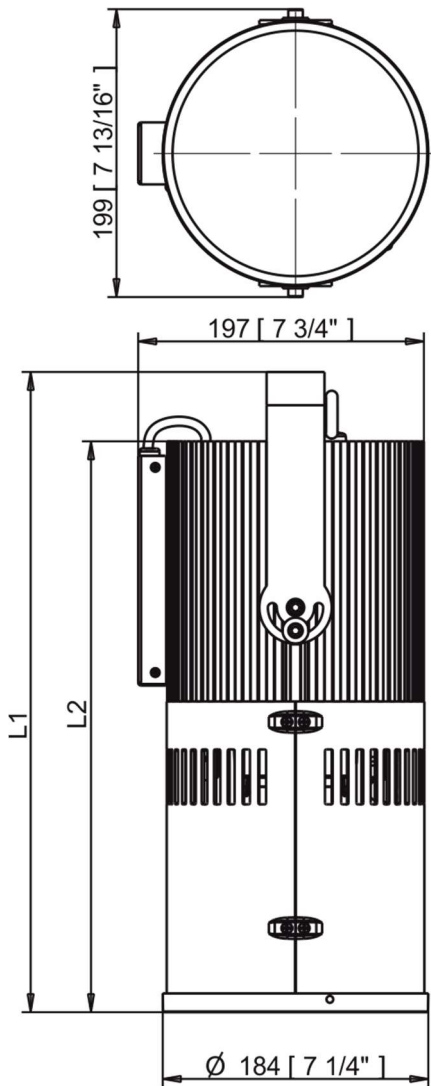
Nominal input voltage:	48V DC
Input voltage range:	44-50V DC
Max. power consumption:	150W
Light source:	High Power LED module
Beam angle:	20°, 30°,45°, 60°
Projected Lumen Maintenance:	60.000 hrs (L70 @ 25 °C / 77 °F)
Colour Variants:	RGBW (W - 2700K or 4000K), Pure White, Tunable White, Tungsten Dim
CRI:	90+
Control:	wireless DMX
Settings/Addressing:	DIP Switch, RDM
DMX channels (RGBW variant):	4 (Mode 1), 3 (Mode 2), 12 (Mode 3), 3 (Mode 4), 6 (Mode 5)
DMX channels (TW variant):	2 (Mode 1), 3 (Mode 2)
DMX channels (TD, PW variant):	2 (Mode 1), 2 (Mode 2)
Power supply (CE):	Ambiane Power XP, Ambiane Power Rack
Power supply (US):	Ambiane Power XP, Ambiane Power Rack US
Operating ambient temp. range:	-20 °C / +40 °C (-4 °F / +104 °F)
Operating Temperature:	+70 °C @ Ambient +40 °C (158 °F @ Ambient 104°F)
Total heat dissipation:	512 BTU/h (calculated)
Cooling:	convection
Housing:	High Pressure Die-Cast Aluminium Body
Weight:	
Ambiane XP56 20°	6.2 kg/ 13.66 lbs
Ambiane XP56 30°	6.2 kg/ 13.66 lbs
Ambiane XP56 45°	6.02 kg/ 13.27 lbs
Ambiane XP56 60°	5.9 kg/ 13 lbs
Installation method:	Recessed, via mounted bracket
IC rating:	non-IC rated
Power connection:	connector
Protection factor (CE):	IP20
Protection factor (US):	Dry location only

Ambiane XP56 Recessed /W

Dimensions

mm [inch]

Ambiane XP56 Recessed with Trim



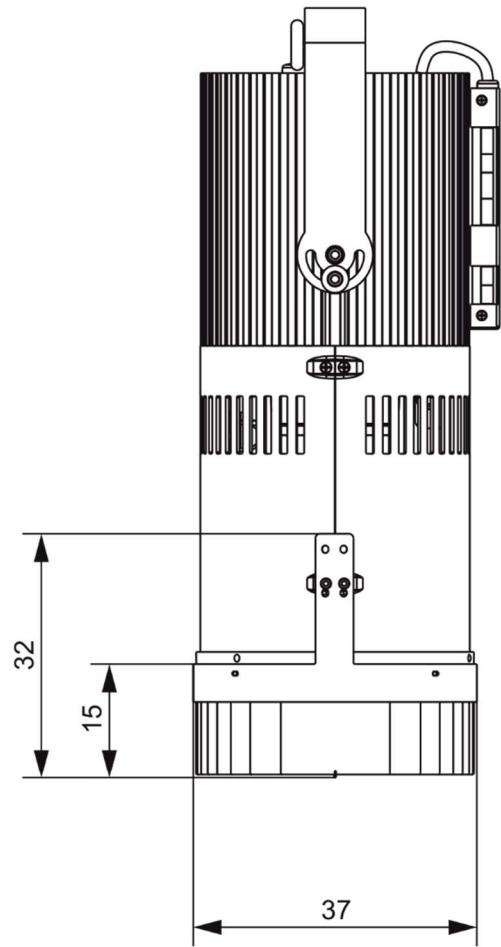
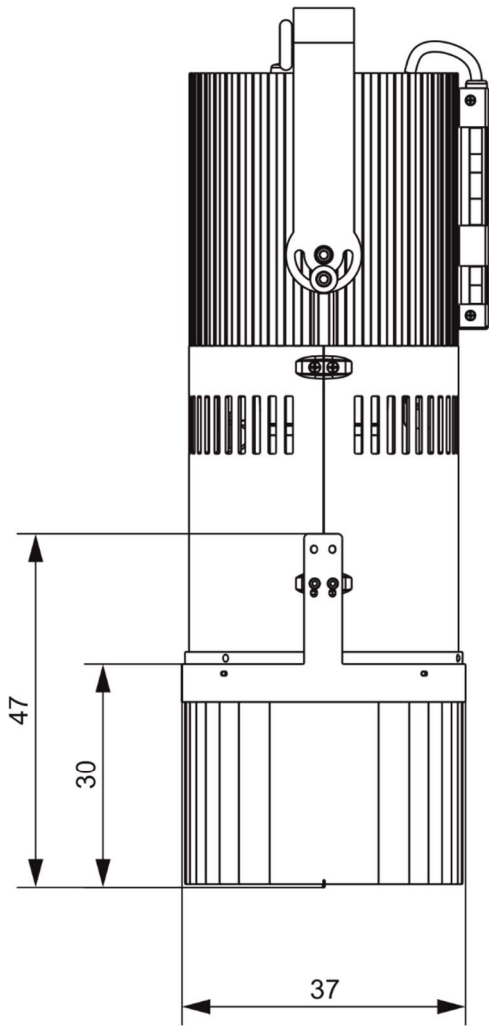
Dimension L1 depends on U-holder position
 Ambiane XP56 20°/30°, L1=448 [17 5/8"] – 528 [20 13/16"]
 Ambiane XP56 45°, L1=423 [16 5/8"] – 503 [19 13/16"]
 Ambiane XP56 60°, L1=394 [15 1/2"] – 474 [18 11/16"]

Ambiane XP56 20°/30°, L2=395 [15 9/16"]
 Ambiane XP56 45°, L2=370 [14 9/16"]
 Ambiane XP56 60°, L2=341 [13 7/16"]

Ambiane XP56 Recessed /W

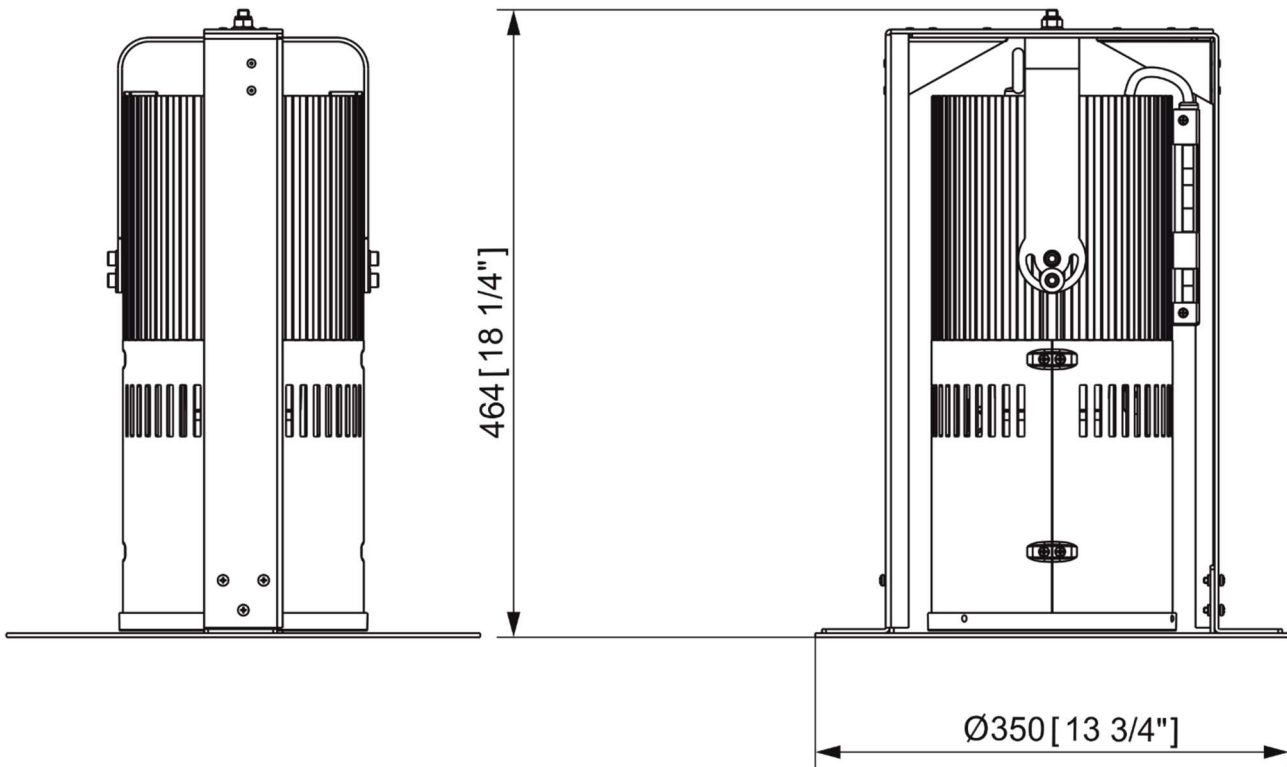
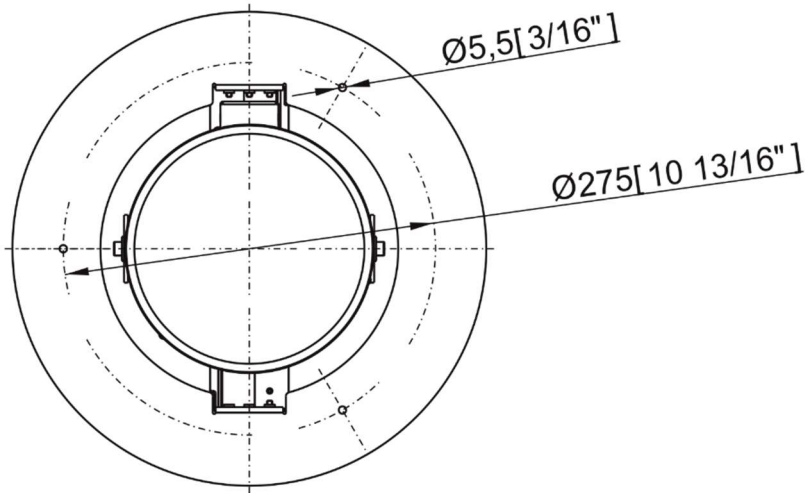
Ambiane XP56 Recessed with Louver 5°

Ambiane XP56 Recessed with Louver 10°

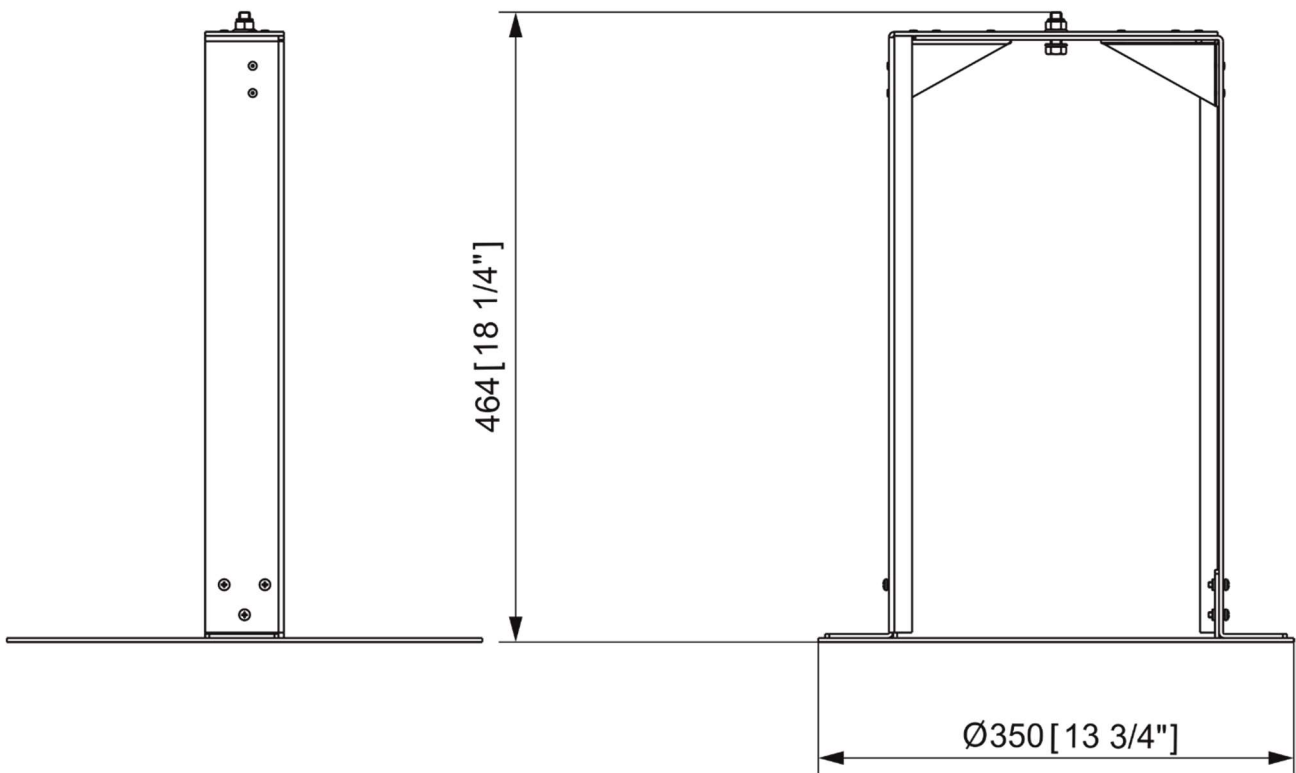
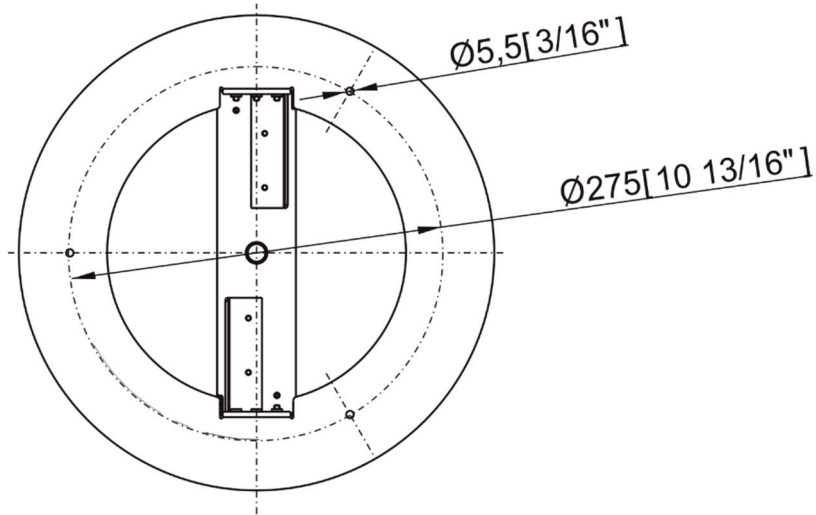


Ambiane XP56 Recessed /W

Ambiane XP56 Recessed in the false ceiling mounting adaptor

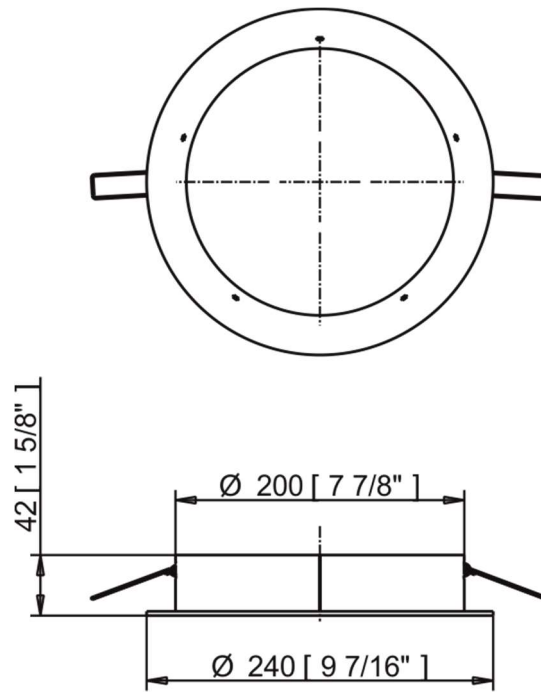


False ceiling mounting adaptor

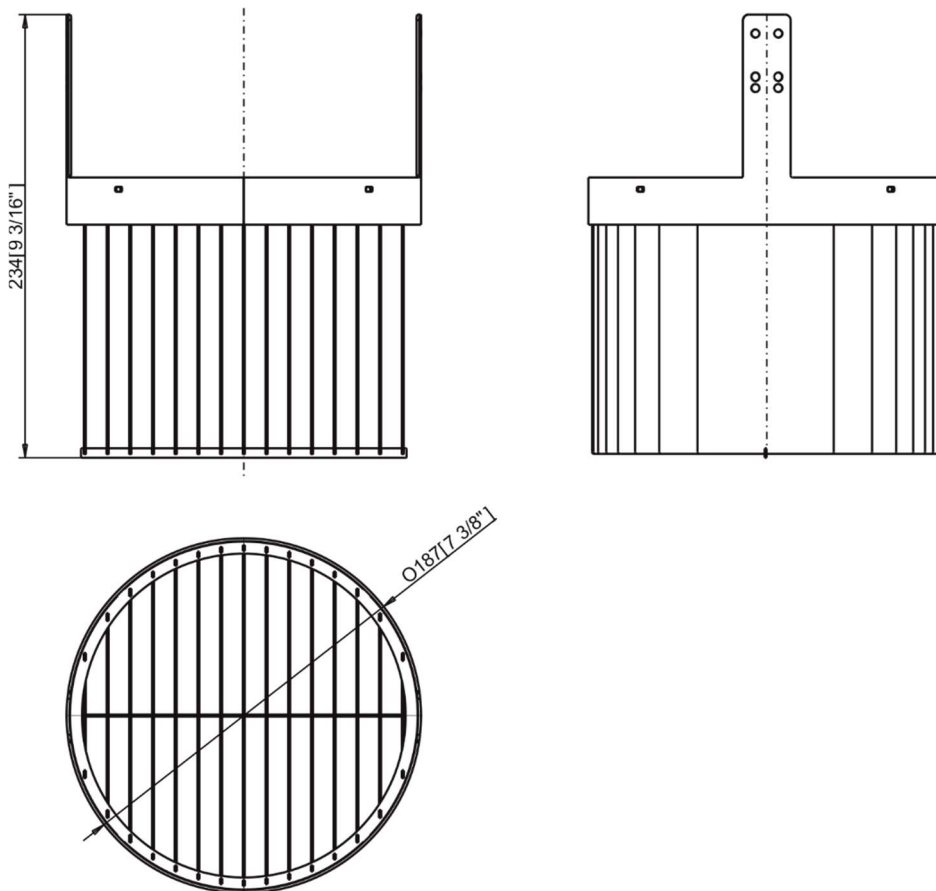


Ambiane XP56 Recessed /W

Trim for Ambiane XP Recessed

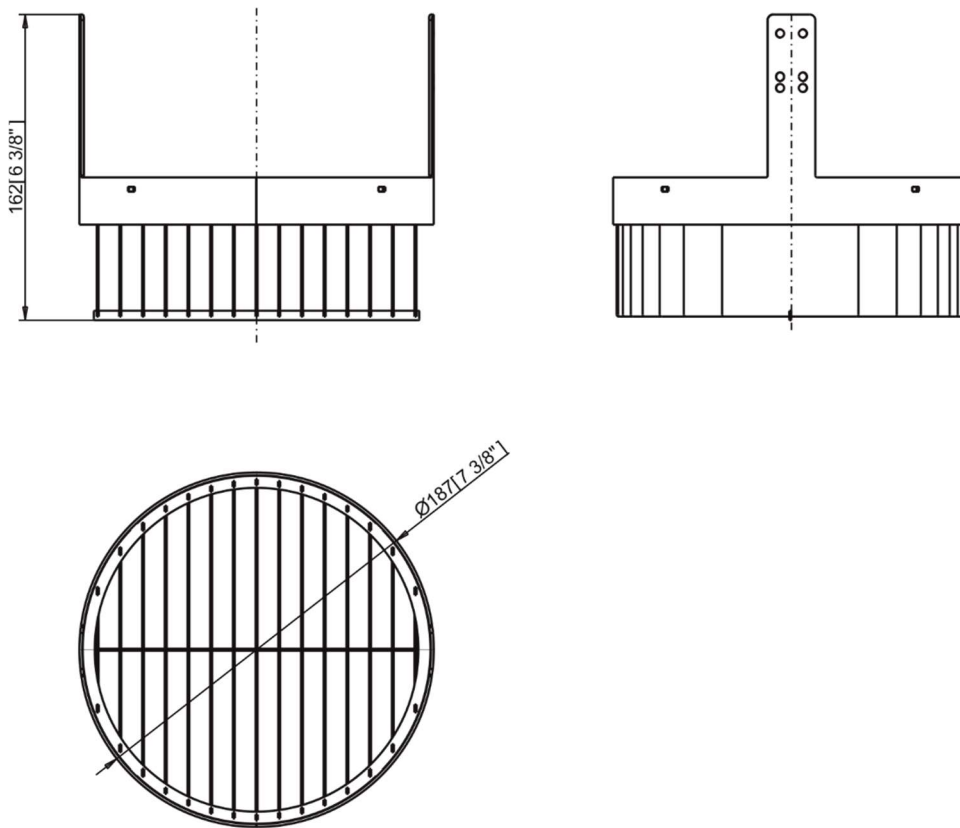


Louver 5° for Ambiane XP Recessed



Ambiane XP56 Recessed /W

Louver 5° for Ambiane XP Recessed



Included items

- 1 x Ambiane XP56 Recessed /W
- 1 x Set of cable connectors
- 1 x User manual

Optional accessories

- Trim for Ambiane XP Recessed RAL 9005 (P/N 10980572)
- Louver 10° for Ambiane XP Recessed RAL9005 (P/N 10980533)
- Louver 5° for Ambiane XP Recessed RAL9005 (P/N 10980534)
- False Ceiling Mounting Adaptor for Ambiane XP56 Recessed (P/N 10980599)
- Ambiane Power XP (P/N 10063710)
- Ambiane Power Rack (P/N 10063951)
- Ambiane Power Rack US (P/N 10063873)

8. Cleaning and maintenance

Disconnect from power before starting any maintenance or cleaning work

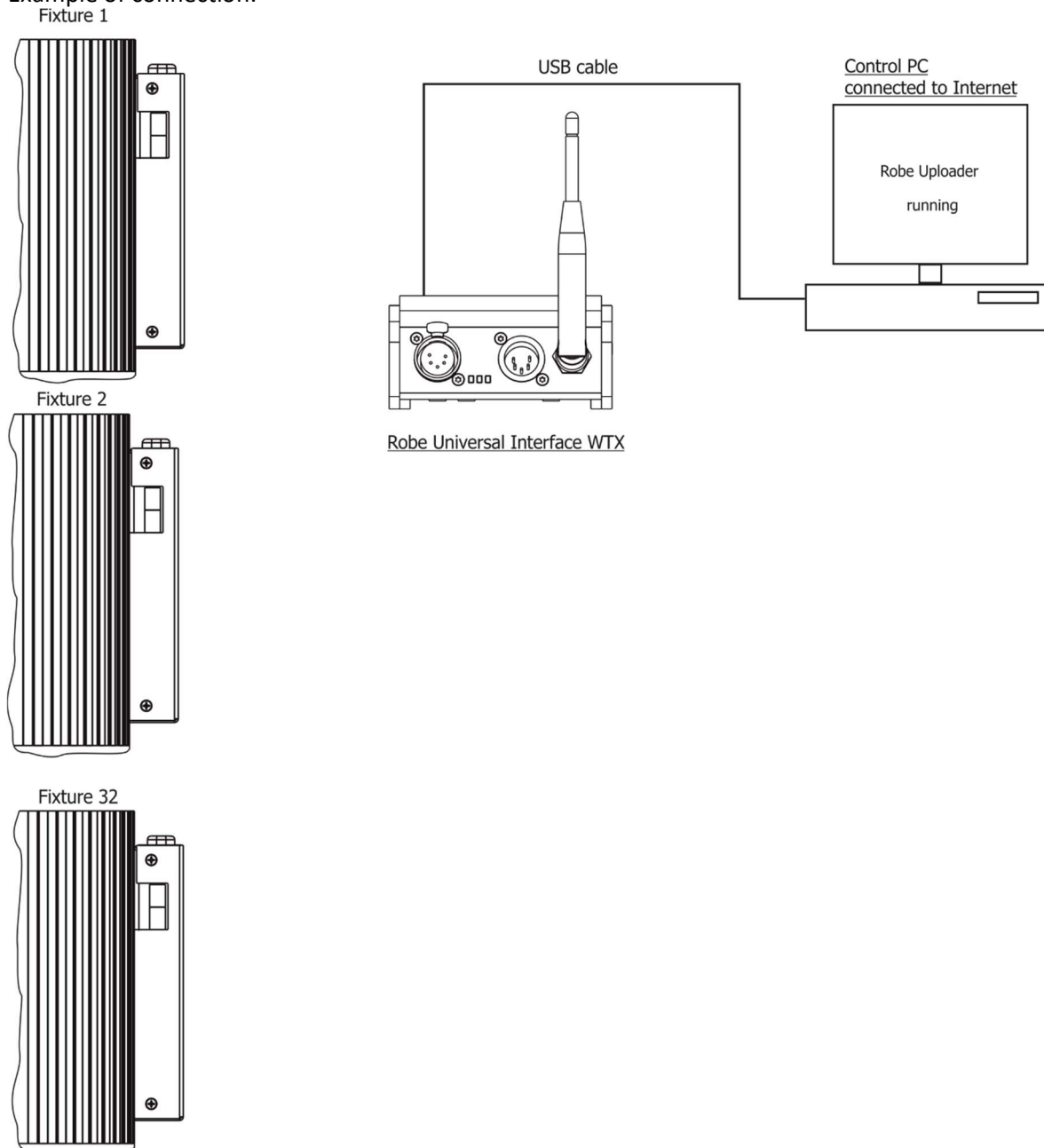
Keep the fixture clean, especially light source and the ribbed housing.
Maintenance and service operations are only to be carried out by a qualified person.
Should you need any spare parts, please use ROBE OEM parts.

8.1 Software update

Software update by means of the Robe Uploader.

The ROBE Uploader is a software for automatized software update of Robe and Anolis fixtures. It takes advantage of RDM support.

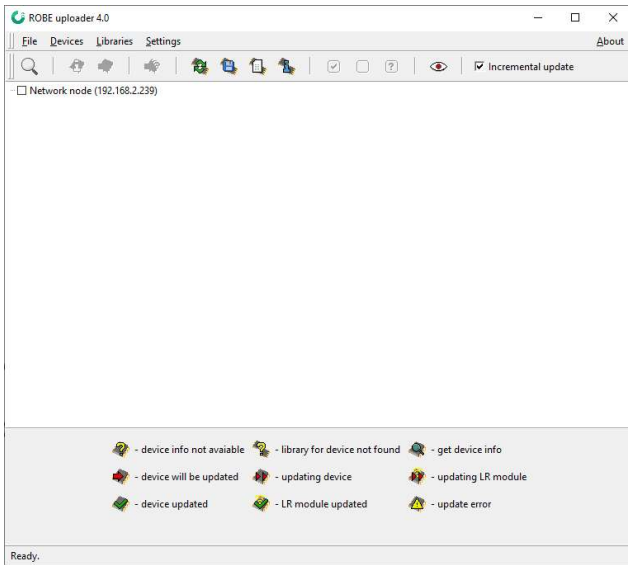
Example of connection:



Ambiane XP56 Recessed /W

The fixtures have to be connected to power. The control PC should be connected to the Internet.

The Robe Uploader software and user manual is available at <https://www.robe.cz/robe-uploader/>



If you do the software update by means of the Robe Uploader, switching fixtures to the update mode (and from the update mode) is made automatically.

8.2 Disposing of the product

To preserve the environment please dispose or recycle this product at the end of its life according to the local regulations and codes.

Specifications are subject to change without notice

September 22, 2021

Made in CZECH REPUBLIC by ROBE LIGHTING s.r.o. Palackeho 416/20 CZ 75701 Valasske Mezirici