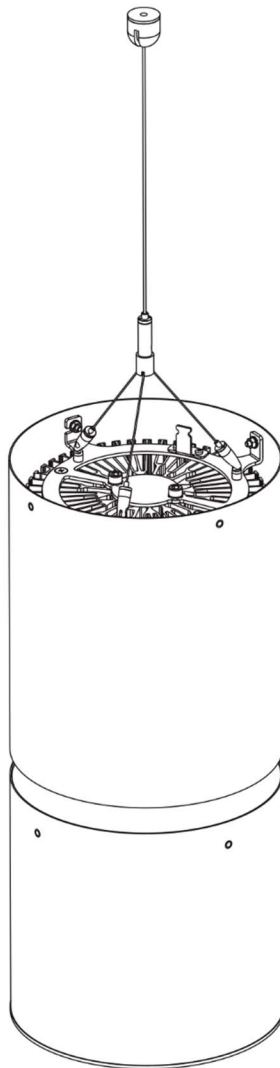


Ambiane XP56 Pendant Remote



Version 1.4

Table of contents

1. Attention.....	3
2. Fixture exterior view.....	4
3. Installation.....	4
3.1. DMX and DALI address setting and control.....	9
3.2 0-10V control.....	10
4. RDM.....	10
5. DMX protocols.....	11
6. Technical specifications.....	13
7. Cleaning and maintenance.....	16
7.1 Software update.....	16
7.2 Disposing of the product.....	17

1. Attention

The unit must be installed by a qualified electrician in accordance with all national and local electrical and construction codes and regulations.

The unit was designed for indoor use only.

Do not install the unit near highly inflammable liquids or materials.

Do not allow anything to rest on the unit.

Do not install the unit near an open flame.

Do not install the unit in dirty, dusty or badly ventilated location.

Avoid looking directly into the light beam at close range!

A ceiling (structure) intended for installation of the unit(s) must safely hold at least 5 times the weight of the unit(s) fastened on it.

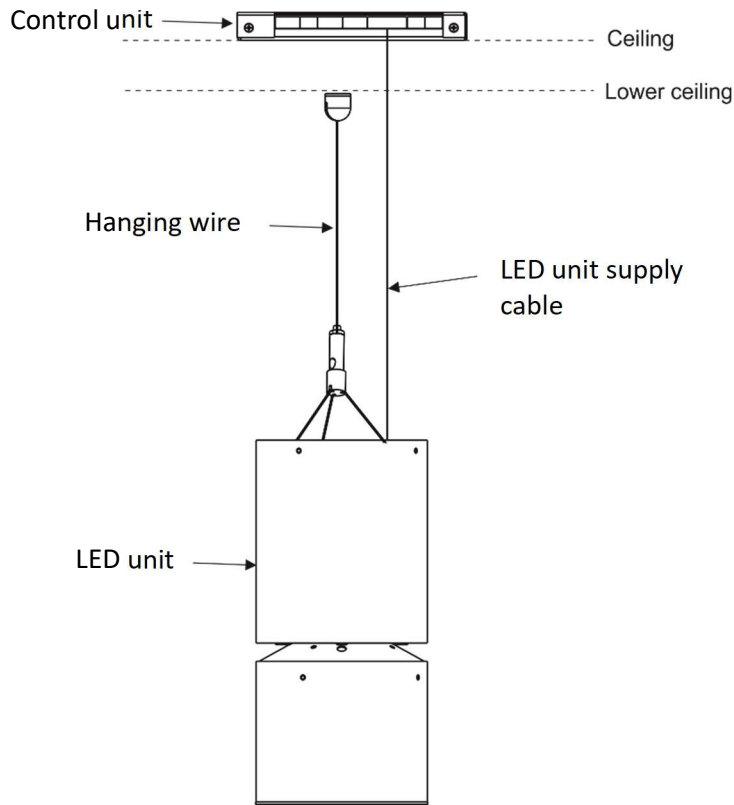
Immunity of the equipment is designed for electromagnetic environments E1, E2, E3 according to the standard EN55103-2 ed.2 Electromagnetic compatibility. Product family standard for audio, video, audiovisual and entertainment lighting control apparatus for professional use. Part 2: Immunity.

The product (covers and cables) must not be exposed to a high frequency electromagnetic field higher than 3V/m.

The installation company should check levels of possible interferences above the tested levels E1,E2,E3 given by this standard (e.g. transmitters in surrounding area) before installing the equipment.

Emission of the equipment complies with the standard EN55032 Electromagnetic compatibility of multimedia equipment – Emission Requirements according to class B.

2. Fixture exterior view



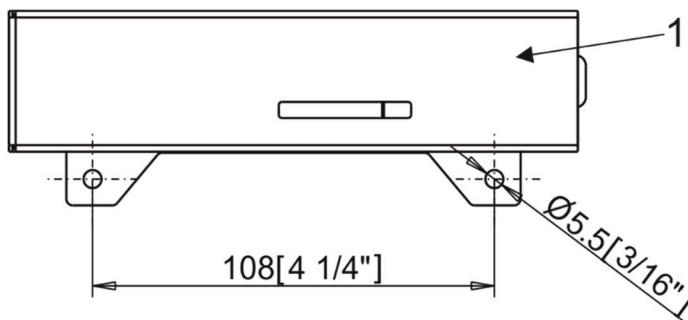
3. Installation

The Ambiane XP56 Pendant Remote must be installed by a qualified electrician in accordance with all national and local electrical and construction codes and regulations.

Always switch off power supply of the control unit before connecting or disconnecting the control unit or the light unit.

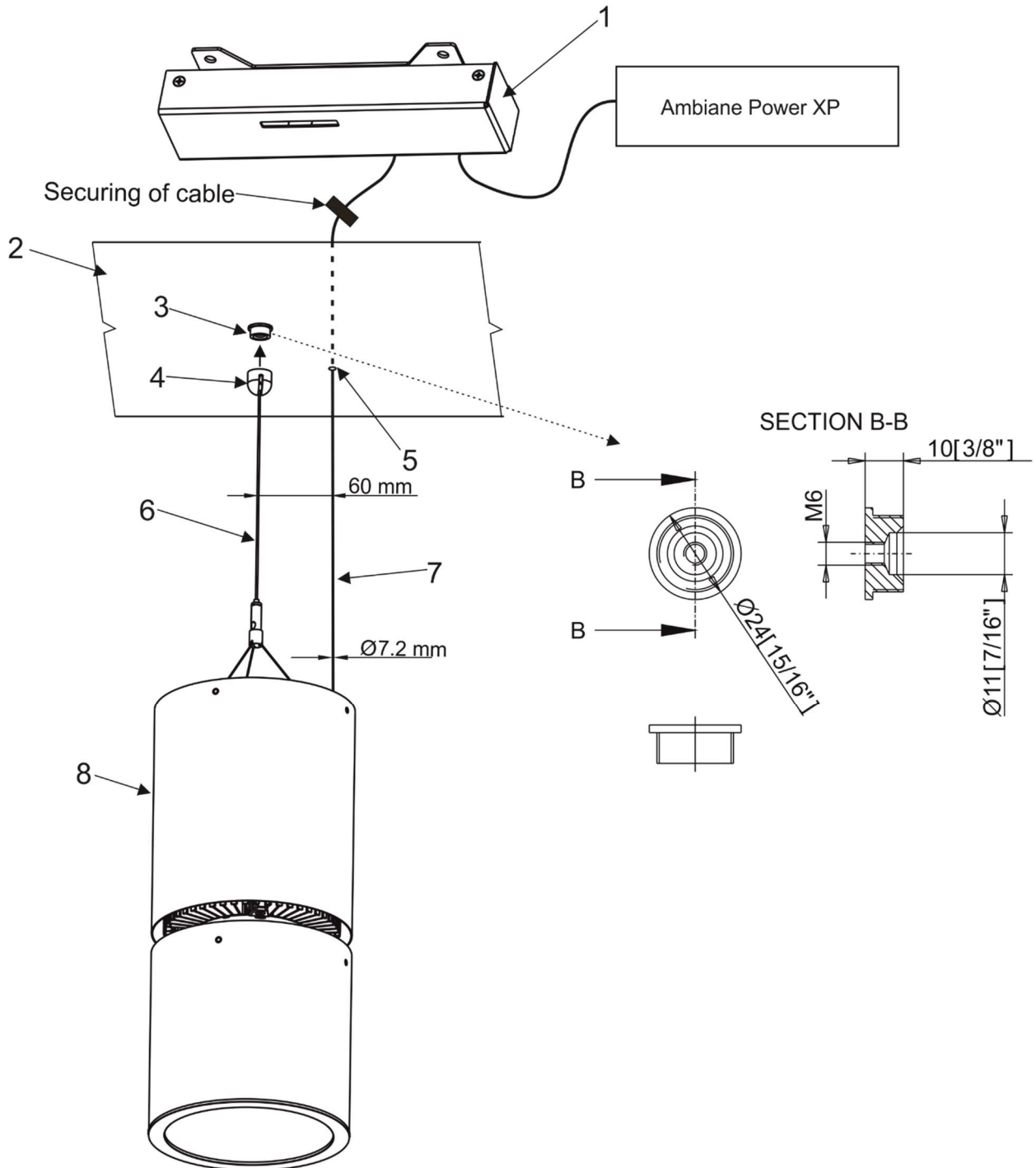
The lower ceiling (or another structure) intended for installation of the Ambiane XP56 Pendant(s) Remote must safely hold at least 5 times weight of the Ambiane XP56 Pendant(s) Remote placed on it.

1. Fasten the control unit (1) on the ceiling by means of two holes in the housing of the control unit.



Ambiane XP56 Pendant Remote

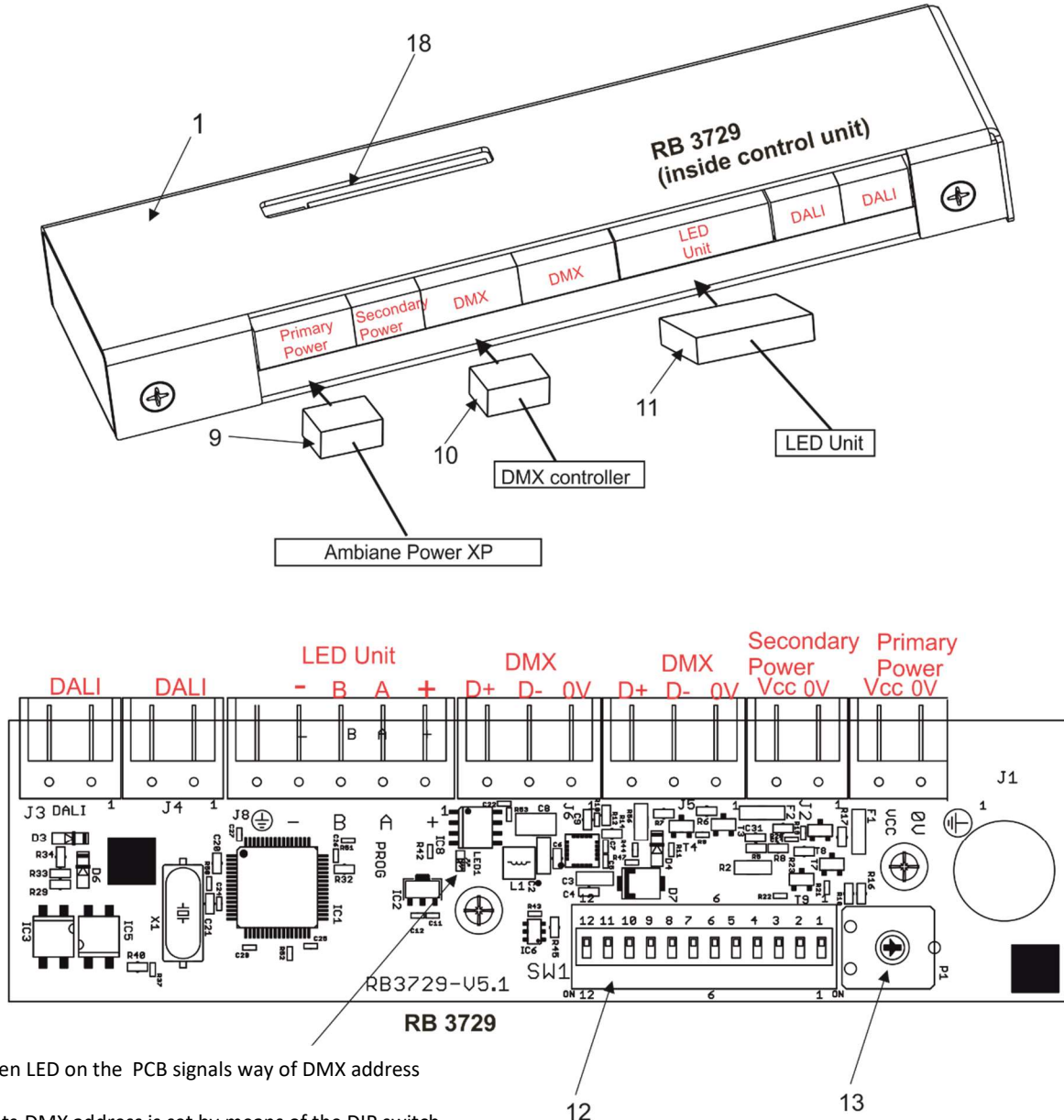
2. Fasten the ceiling plate M6i (3) to the lower ceiling.
3. Screw the spherical cap (4) with the hanging wire (6) to the ceiling plate M6i (3).
4. Drill the hole (diameter of 8mm) in the lower ceiling for the LED unit supply cable (7). If you wish to have the LED unit supply cable (7) parallel with the hanging wire (6), the distance between the hanging wire and the LED unit supply cable should be 60mm.
5. Secure the LED unit supply cable (7) above ceiling against losing from the control unit (1).



Ambiane XP56 Pendant Remote

6. Install the terminal block (9) on the supply cable connect it to the PCB RB 3729 of the control unit (1).
7. Install the terminal block (10) on the DMX cable and connect it to the PCB RB 3729 of the control unit (1).
8. Install the terminal block (11) on the LED unit cable (7) and connect it to the to the PCB RB 3729 of the control unit (1).
9. Install another terminal blocks on cables according to requirements of current installation.

Example of connection:



The green LED on the PCB signals way of DMX address setting:
 LED lights-DMX address is set by means of the DIP switch.
 LED does not light- DMX address is set by means of RDM.

Note: The trimmer (13) allows you to set a light intensity (for secondary power only). This trimmer is accessible by aperture (18) in the cover of the control unit (1).

LED unit connection

Connector	+	A	B	-
Function	LEDs +	Data A	Data B	LEDs -
Colour of wire	Red	White	Blue	Black

Ambiane XP56 Pendant Remote

Primary power connection

Connector	Vcc	0V
Function	Power +	Power -

Secondary power connection

Connector	Vcc	0V
Function	Power +	Power -

Max. length of the supply cable between the Ambiane XP56 Pendant Remote and the Ambiane Power XP or Ambiane Power Rack is defined by the following table:

Circular cross-section of wire	Max. cable length
0.5 mm ²	15 m
1 mm ²	30 m
1.5 mm ²	45 m
2 mm ²	60 m
2.5 mm ²	75 m

DMX connection

Connector	D+	D-	0V
Function	Data +	Data-	Data ground(shielding)

0-10V connection

Connector	D+	0V
Function	+10V	0V

DMX connectors are used for 0-10V control

The primary power input serves for a standard power (e.g. Ambiane Power XP).

The secondary power input serves for a backup power (in case that primary power failed).

If both power inputs are under voltage, the primary power has a priority and the secondary power is disabled. In case of primary power loss, the secondary power is enabled.

If the fixture is supplied via the secondary power, the light output of the fixture is a white colour (3200K) and its light intensity can be set by the trimmer (13) accessible by aperture (18) in the cover of the control unit (1).

10. Set the DIP switch (12) according to your operation mode. This DIP switch is accessible by aperture (18) in the cover of the control unit (1).

The fixture can be controlled by one of the following methods: DMX 512

DALI

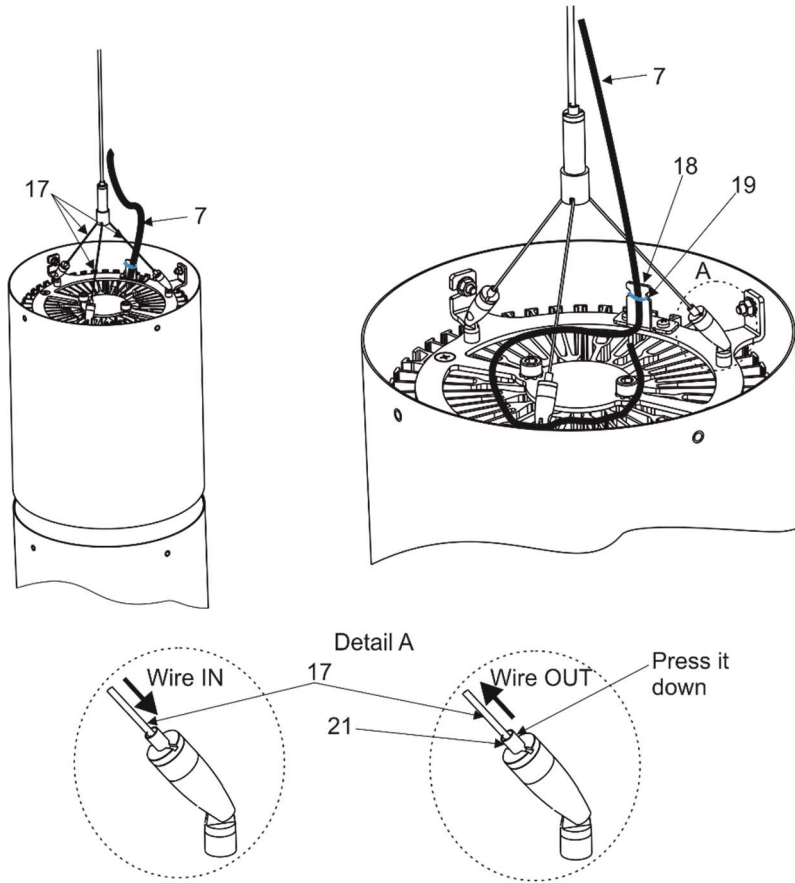
0-10V (PW or TD version only)

The fixture is equipped with two DMX and DALI connection blocks (on the PCB RB 3729) for easy connection to a DMX or DALI chain (In/Out method).

Ambiane XP56 Pendant Remote

11. Set desired position of the LED unit by means of the three hanging wires (17). If you need to pull the hanging wire (17) out of the supply unit, you have to press and hold the part (21) of the wire lock.

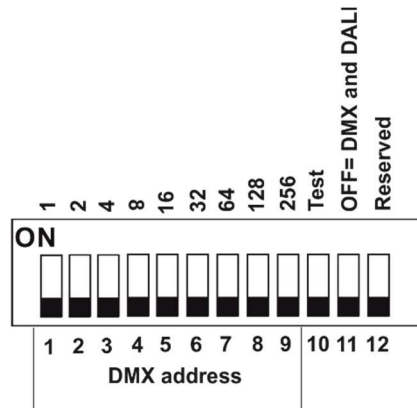
12. Fasten the LED unit supply cable (7) to the holder (18) using a cable binder (19).



Length of the LED unit supply cable (7) should be adequate, it is not suitable to make “loops” of cable on the LED unit heatsink. Max. one “loop” can be created.

3.1. DMX and DALI address setting and control

The DIP switch on the control PCB (RB3729) allows you to set DMX address and run a test light.



DIP 10 - if it is switched to ON=test light (the fixture lights at 3200K (for RGBW and TW version))
 DIP 11 - has to be switched to OFF position to receive DMX 512 and DALI, position ON=0-10V control

Note: If DIP 11=OFF (fixture is controlled by DMX and DALI), the last coming command switches the fixture to the corresponding operation mode (DMX operation by a DMX command, DALI operation by a DALI command). E.g. the fixture stays in a DALI operation and last coming command is a DMX command which switches the fixture to DMX operation. Next command is a DALI command and switches the fixture to the DALI operation etc.

If you need the permanent DALI operation, you have to send a DALI command 8 to the fixture.

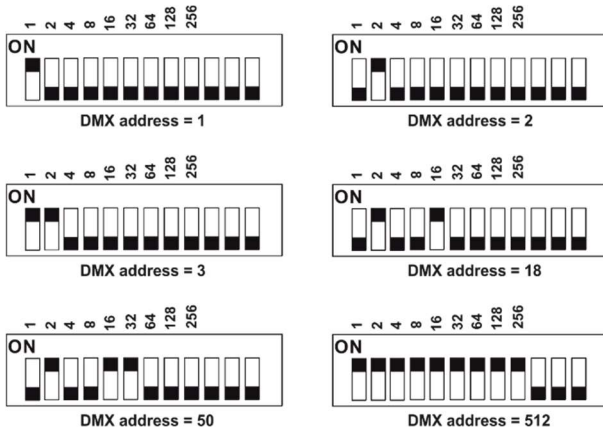
DMX control

The DMX start address, is the first channel used to receive instructions from the DMX controller. The address may be any channel from 1 to 512. DMX address can be set either by DIP switch or by RDM. DMX address set by RDM overwrites address set by DIP switch and vice versa. The green LED on PCB signals way of DMX address setting:

- LED lights-DMX address is set by means of the DIP switch.
- LED does not light-DMX address is set by means of RDM.

The DIP 11 has to be set to OFF position.

Example of DMX addresses:



DALI control

Addressing of the fixture has to be made by means of an external DALI controller.

If you need to start the permanent DALI control of the fixture (fixture will not respond to DMX commands), the external DALI controller has to send activating command (8=ON).

If you need to stop the permanent DALI control of the fixture, the external DALI controller has to send deactivating command (0=OFF).

3.2 0-10V control

DIP 11 has to be set in ON position. 0-10V operation has priority to DALI and DMX commands. The option is applicable for the PW and TD version of the Ambiane XP56 Recessed only.

4. RDM

This fixture supports RDM operation. RDM (Remote Device Management) is a bi-directional communication protocol for use in DM X512 control systems, it is the new open standard for DMX512 device configuration and status monitoring.

RDM allows you to set a DMX address, select DMX mode, readout software version of the fixture etc. It is also used for fixture software update by means of the Robe Uploader.

RDM model ID for the Ambiane XP56 Pendant Remote is 0x0109.

Parameter ID	Discovery command	SET command	GET command
DISC_UNIQUE_BRANCH	*		
DISC_MUTE	*		
DISC_UN_MUTE	*		
DEVICE_INFO			*
SUPPORTED_PARAMETERS			*
SOFTWARE_VERSION_LABEL			*
DMX_START_ADDRESS		*	*
IDENTIFY_DEVICE		*	*
DEVICE_MODEL_DESCRIPTION			*
MANUFACTURER_LABEL			*
DEVICE_LABEL		*	*
DMX_PERSONALITY		*	*
DMX_PERSONALITY_DESCRIPTION			*
RESET_DEVICE		*	
SENSOR_VALUE		*	*
SENSOR_DEFINITION			*

Ambiane XP56 Pendant Remote

SLOT_INFO			*
SLOT_DESCRIPTION			*
DEFAULT_SLOT_VALUE			*
PARAMETER_DESCRIPTION			*

5. DMX protocols

Variant RGBW, version 1.1

Mode 1 Channel	Mode 2 Channel	Mode 3 Channel	Mode 4 Channel	Mode 5 Channel	DMX value	Function	Type of control
1	1	1	-	1	0-255	Red Red LEDs saturation control (0-->100%)	proportional
-	-	2	-	-	0-255	Red Fine Red LEDs saturation control (0-->100%)	proportional
2	2	3	-	2	0-255	Green Green LEDs saturation control (0-100%)	proportional
-	-	4	-	-	0-255	Green Fine Green LEDs saturation control (0-->100%)	proportional
3	3	5	-	3	0-255	Blue Blue LEDs saturation control (0 -->100%)	proportional
-	-	6	-	-	0-255	Blue Fine Blue LEDs saturation control (0-->100%)	proportional
4	-	7	-	4	0-255	White White LEDs saturation control (0-->100%)	proportional
-	-	8	-	-	0-255	White Fine White LEDs saturation control (0-->100%)	proportional
-	-	9	1		0 1-127 128 129-255	Green correction Uncorrected white Minus green --> uncorrected white Uncorrected white (128=default) Uncorrected white --> Plus green	step proportional step proportional
-	-	10	2		0 1-10 11-20 21-255	Colour temperature correction (CTC) No function (0=default) Tungsten dimming 2700 K Tungsten dimming 3200 K Colour temperature changing 2700 K--> 6500 K	step step step proportional
-	-	11	3	5	0-255	Dimmer Light intensity coarse (0-->100%)	proportional
-	-	12	-	6	0-255	Dimmer Fine Light intensity fine (0-->100%).	proportional

DMX mode has to be set by RDM.

Ambiane XP56 Pendant Remote

Variant TW, version 1.1

Mode 1 Channel	Mode 2 Channel	DMX value	Function	Type of control
1	-	0-255	White colour selection White from 2700K-->4000K	proportional
-	1	0-255	Warm White Warm white LEDs saturation control (0-->100%)	proportional
-	2	0-255	Cool White Cool white LEDs saturation control (0-->100%)	proportional
2	3	0-255	Dimmer Light intensity (0-->100%)	proportional

Variant TD, PW version 1.1

Mode 1 Channel	Mode 2 Channel	DMX value	Function	Type of control
1	1	0-255	Dimmer Light intensity coarse (0-->100%)	proportional
-	2	0-255	Dimmer Fine Light intensity (0-->100%)	proportional

6. Technical specifications

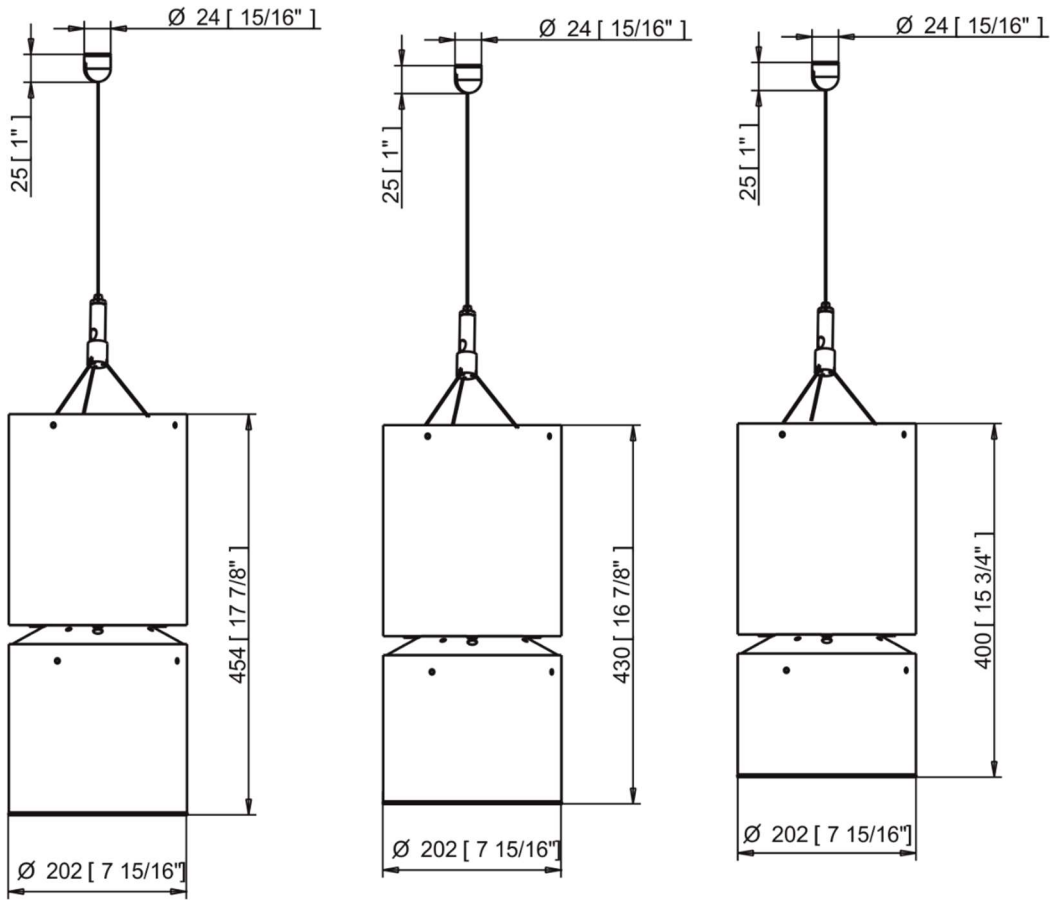
Nominal input voltage:	48V DC
Input voltage range:	44-50V DC
Max. power consumption:	150W
Light source:	High Power LED module
Beam angle:	20°, 30°,45°, 60°
Projected Lumen Maintenance:	60.000 hrs (L70 @ 25 °C / 77 °F)
Colour Variants:	RGBW (W - 2700K or 4000K), PureWhite, Tunable White, Tungsten Dim
Colour Temperature of White:	PW 2700 K or 4000K, TW 2700 - 4000K
Control:	DMX, DALI , RDM, 0-10V
Settings/Addressing:	DIP Switch, RDM
DMX channels (RGBW variant):	4 (Mode 1), 3 (Mode 2), 12 (Mode 3), 3 (Mode 4), 6 (Mode 5)
DMX channels (TW variant):	2 (Mode 1), 3 (Mode 2)
DMX channels (TD, PW variant):	2 (Mode 1), 2 (Mode 2)
Power supply (CE):	Ambiane Power XP, Ambiane Power Rack
Power supply (US):	Ambiane Power XP, Ambiane Power Rack US
Operating ambient temp. range:	-20 °C / +40 °C (-4 °F / +104 °F)
Operating Temperature (LED unit):	+75 °C @ Ambient +40 °C (167 °F @ Ambient 104 °F)
Total heat dissipation:	512 BTU/h (calculated)
Cooling:	convection
Housing:	High Pressure Die-Cast Aluminium Body
Weight (without control unit) :	
Ambiane XP56 Pendant Remote 20°	9.3 kg/ 20.5 lbs
Ambiane XP56 Pendant Remote 30°	9.3 kg/ 20.5 lbs
Ambiane XP56 Pendant Remote 45°	9 kg/ 19.84 lbs
Ambiane XP56 Pendant Remote 60°	8.9 kg/ 19.62 lbs
Mounting Method:	Pendant with 1 adjustable hanging wire
IC rating:	Non-IC rated
Power connection	Connectors
DMX connection:	Connectors
DALI connection:	Connectors
LED unit connection:	Connector
Protection factor (CE):	IP20
Protection factor (US):	Dry location only

Dimensions

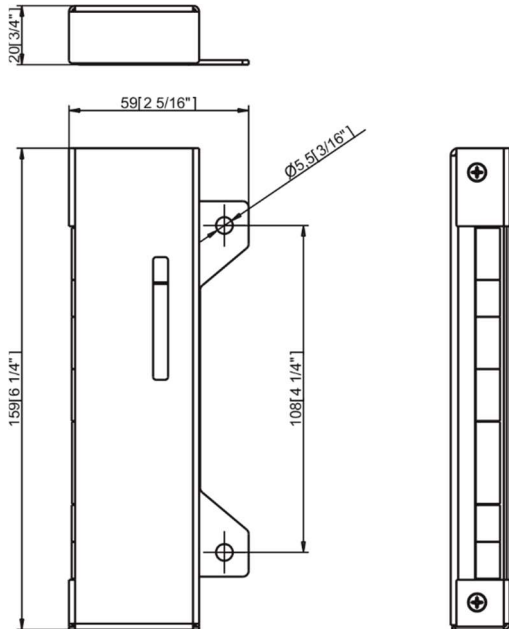
mm [inch]

Ambiane XP56 Pendant Remote 20°	Ambiane XP56 Pendant Remote 45°	Ambiane XP56 Pendant Remote 60°
Ambiane XP56 Pendant Remote 30°		

Ambiane XP56 Pendant Remote



Control unit



Included items

- 1 x Ambiane XP56 Pendant Remote
- 1 x Control unit
- 1 x Set of cable connectors
- 1 x User manual

Ambiane XP56 Pendant Remote

Option items

Ambiane Power XP (P/N 10063710)

Ambiane Power Rack (P/N 10063951)

Ambiane Power Rack US (P/N 10063873)

7. Cleaning and maintenance

Disconnect from the mains before starting any maintenance work

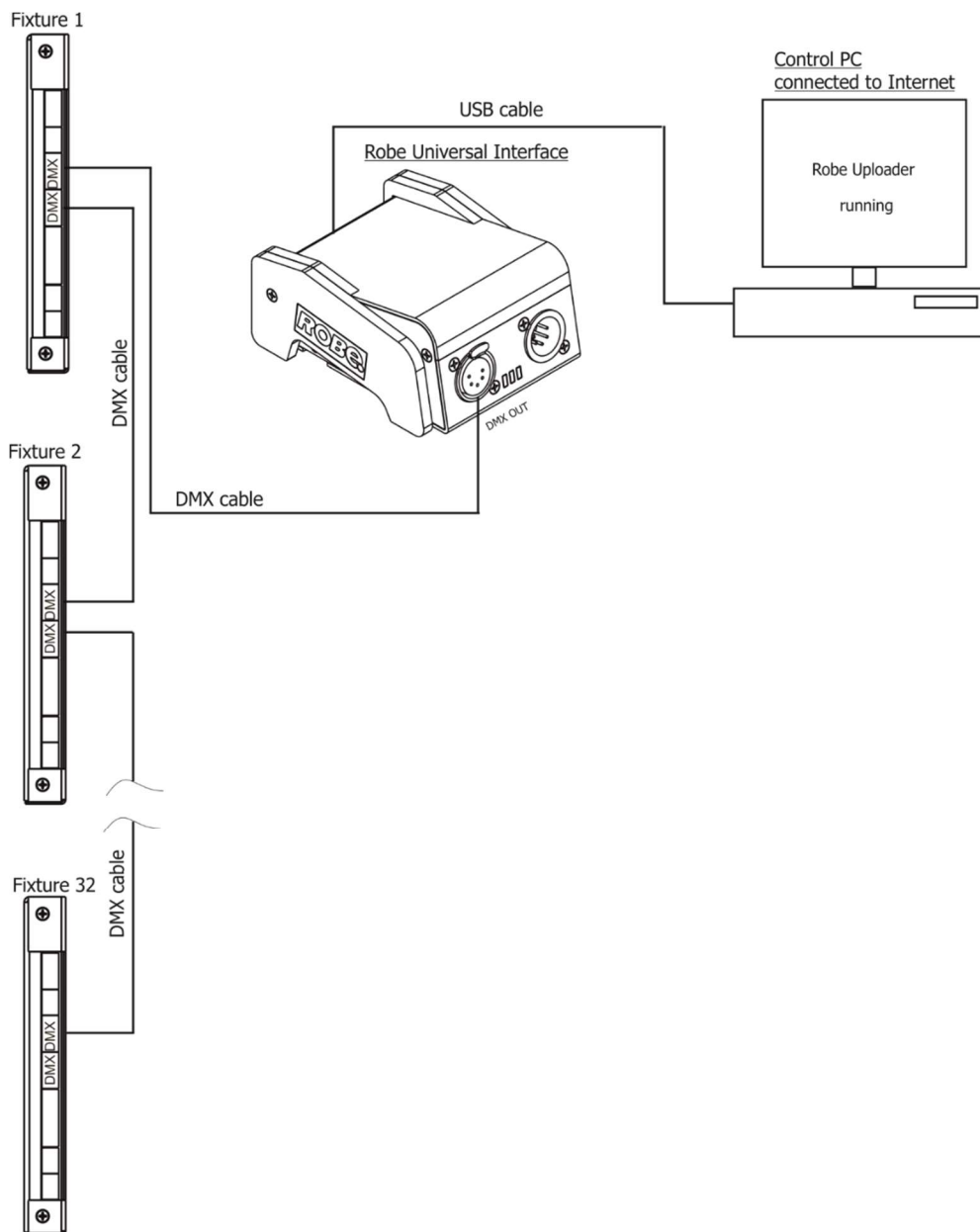
Keep the fixture clean, especially light source and the ribbed heat sink.
Maintenance and service operations are only to be carried out by a qualified person.
Should you need any spare parts, please use ROBE OEM parts.

7.1 Software update

The fixture has to be connected to power during software update.

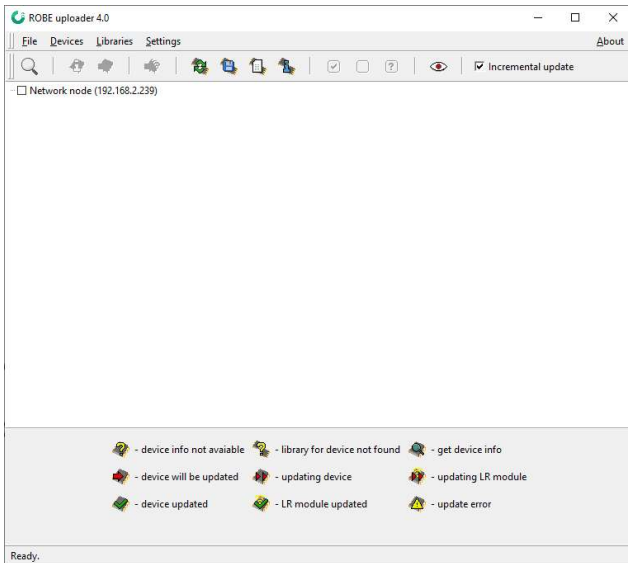
Software update by means of the Robe Uploader

The ROBE Uploader is a software for automatized software update of Robe and Anolis fixtures. It can take advantage of RDM support.



Ambiane XP56 Pendant Remote

The fixtures have to be connected in a daisy-chain (max. 32 fixtures) and via the Robe Universal Interface/Robe Universal Interface WTX and a USB cable connected to the control PC with the Robe Uploader running. The fixtures have to be connected to power. The control PC should be connected to the Internet.



The Robe Uploader software and user manual is available at <https://www.robe.cz/robe-uploader/>

If you do the software update by means of the Robe Uploader, switching fixtures to the update mode (and from the update mode) is made automatically.

Note: The Robe Uploader software cannot be used if fixtures are connected by means of DALI connection.

7.2 Disposing of the product

To preserve the environment please dispose or recycle this product at the end of its life according to the local regulations and codes.

Specifications are subject to change without notice

March 30, 2021

Made in CZECH REPUBLIC by ROBE LIGHTING s.r.o. Palackeho 416/20 CZ 75701 Valasske Mezirici