

DIVINE™ 160

The Divine™ 160 is a high-performance 440W luminaire with phenomenal light output that can be used for a variety of architectural lighting scenarios including the application of dynamic colour changing effects to building exteriors and façades, or illuminating complete areas with subtle CCT controllable white light. The Divine™ is available in numerous configuration options including optics for flood or accent lighting. RGBW, RGBA or PureWhite in a variety of colour temperatures combined with different mounting options and accessories make Divine™ a truly flexible solution.



KEY FEATURES

Multichip optical system delivers superb light with enhanced 18 bit control. Compact & lightweight.

Lumen Output & Light Source

Up to 11,836 lm delivered (RGBW at 13° all LEDs on full)
40 x High Power Multichip LEDs

Projected Lumen Maintenance

Long LED life over 60,000 hrs (L70@25°C)

Power Consumption

Typical power consumption 440W

CONTROL & PROTOCOLS



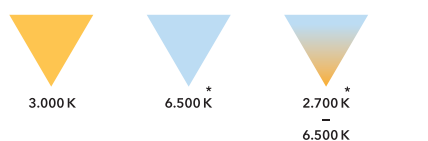
STANDARD & SPECIFICATION



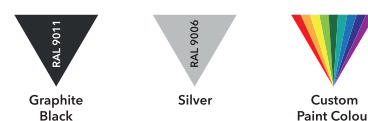
COLOURS * UPON REQUEST



COLOUR TEMPERATURES * UPON REQUEST



FINISH OPTIONS

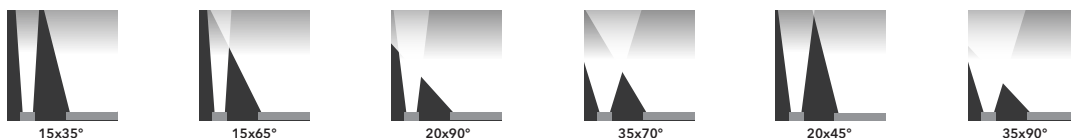


OPTIC OPTIONS

SYMMETRICAL



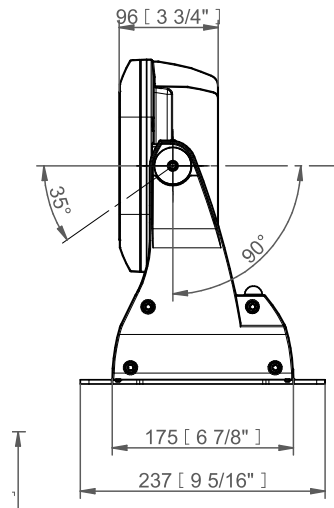
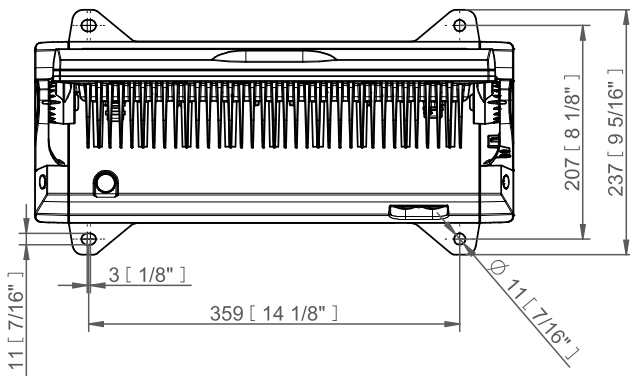
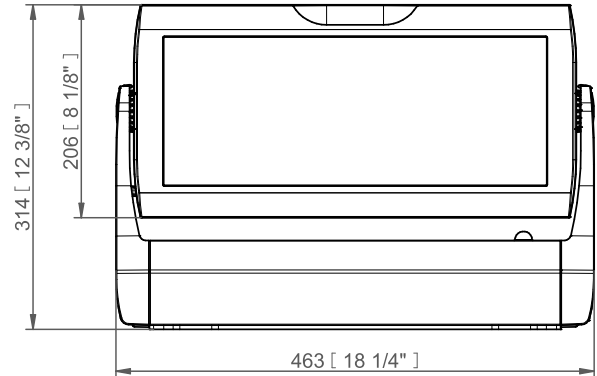
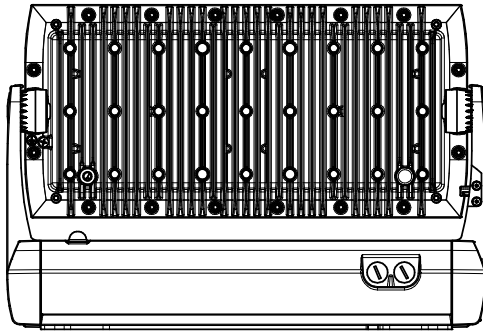
BI-SYMMETRICAL



DIVINE 160 SPECIFICATION

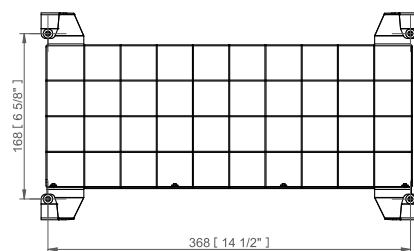
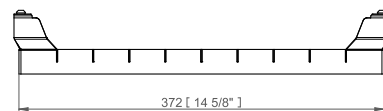
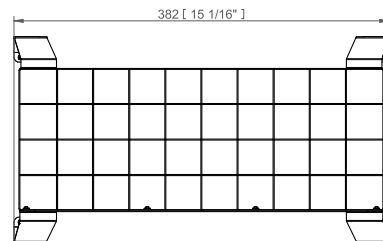
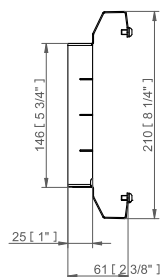
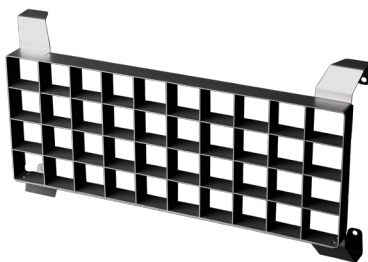
ELECTRICAL	Input Voltage	100 - 277 V AC 50/60 Hz
	Typical Power Consumption	440 W +/- 10 %
	Inrush Current	30 A @ 230 V, 20 A @ 115V
OPTICAL	Light Source	40 x High Power Multichip LEDs
	Colour Variants	RGBW (W - 6500 K), RGBA, PW (W - 3000 K)
	Beam Angle	Symmetrical: 13° 25° 35° 45° 65° 100°
		Bi-symmetrical: 15° x 35° 35° x 15° 15° x 65° 65° x 15° 20° x 45° 45° x 20° 35° x 70° 70° x 35° 35° x 90° 90° x 35° 20° x 90° 90° x 20°
	Lumen Output Delivered	11.836 lm (RGBW 13°, all LEDs on full)
Projected Lumen Maintenance	60.000 hrs (L70 @ 77 °F / 25 °C)	
CONTROL	Display	LED Display (Inside Integrated Junction Box)
		Chassis Mounted LED Display (Optional)
	Wireless DMX (Option)	Lumen Radio CRMX Technology
	Interface Protocol	USITT DMX512, RDM, 0-10 V
	Control System	Third Party DMX Controllers
	Operating Modes	DMX, Stand-alone
	DMX Modes	4
	DMX Channels	10, 22, 5, 4
	Programs / Functions / Features	Editable Program: 1 (up to 40 steps)
	Settings / Addressing	Via LED Display with Control Buttons or RDM
Power Supply	Integrated	
PHYSICAL	Width x Height x Depth	463 x 314 x 175 / 237 mm (18.2 x 12.4 x 6.9 / 9.3 in.)
	Weight	14.5 kg / 32 lbs
	Housing	High Pressure Die-Cast Aluminium Body
		Tempered Glass
	Finish Options	Standard Colour - Graphite Black (RAL 9011), Silver (RAL 9006)
		Cost Option - Custom RAL
	Cables / Connections	Integrated Junction Box With Terminal Block
		Recommended: Li9Y11Y 3 x AWG16 + 1(2 x AWG24)
	Mounting Method	Surface Mount, Flush (J-Box), C-Clamp (For Side Connection Only)
	Adjustability	+35° / -90°
	Protection Factor	IP67 / Suitable For Wet Locations
	IK Rating	IK10
	Cooling System	Convection
Operating Ambient Temperature	-20 °C / +40 °C (-4 °F / +104 °F)	
Operating Temperature	+75 °C @ Ambient +40 °C (+167 °F @ Ambient +104 °F)	
Total Heat Dissipation	1500 BTU/h (calculated)	
CERTIFICATION	Listings	ETL / cETL, CE, RoHS
ACCESSORIES		Surface Mount Adaptor (Included)
		Optical Demo Set for Divine 160
		Top Hat Divine 160
		Half Top Hat Divine 160
		Barn Door Module Divine 160
		Wire Guard/Anti-Glare Divine 160
		Set of Rubber Feet
		C-Clamp Adaptor Divine (for side conn. only)
	Single Top Loader Case Divine	

DIMENSIONS

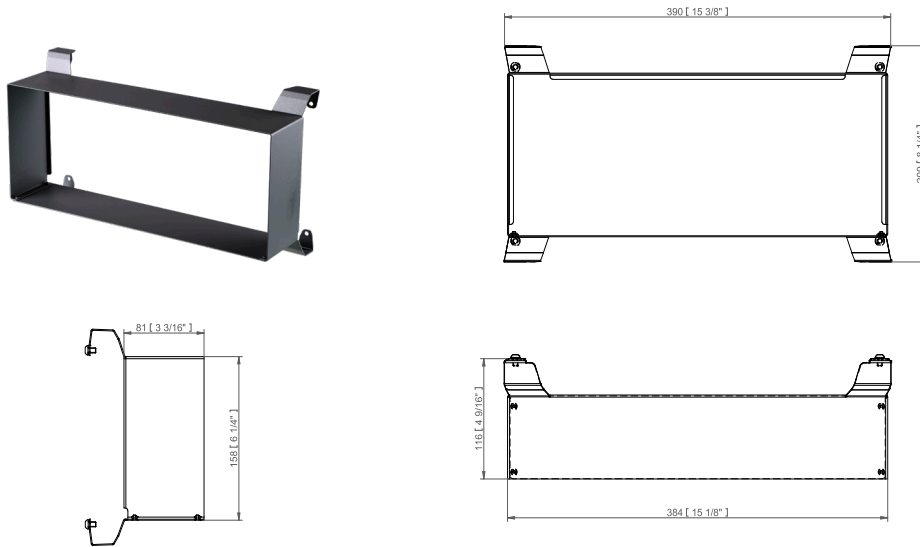


ACCESSORIES FOR DIVINE 160

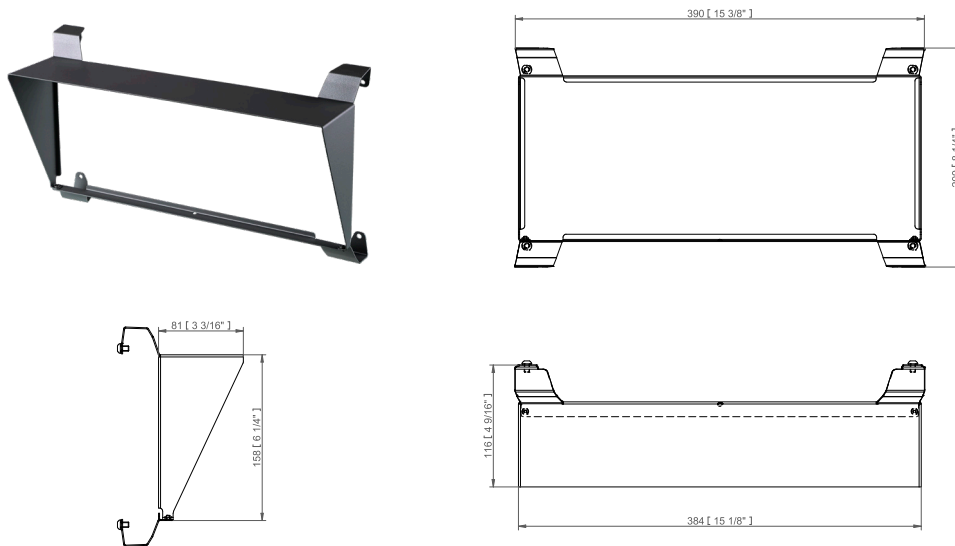
Wire Guard /Anti-Glare Divine 160



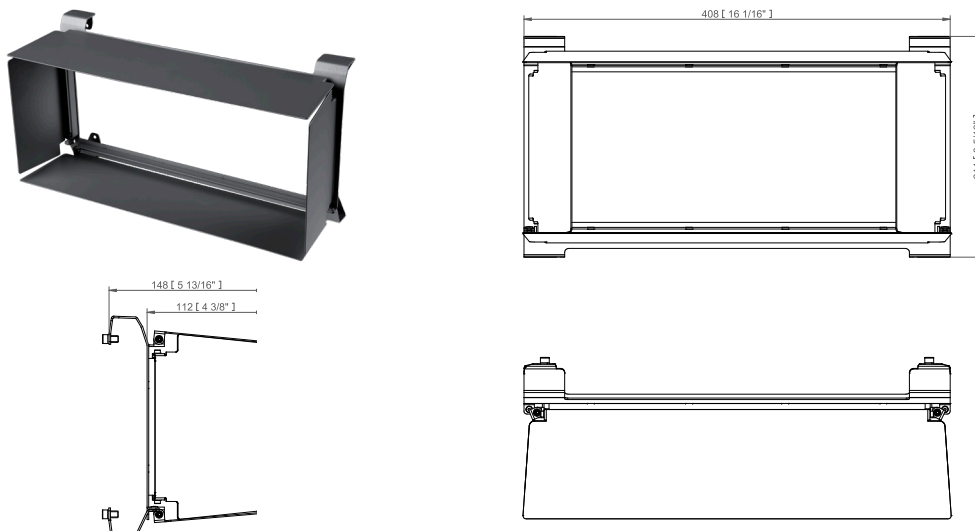
Top Hat Divine 160



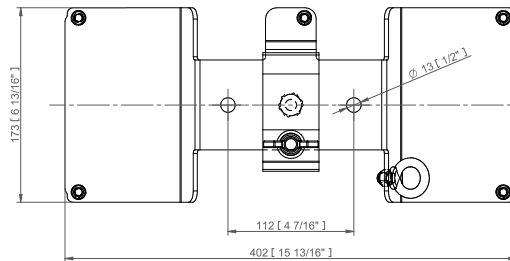
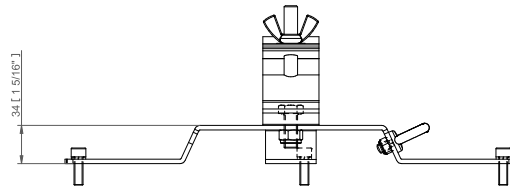
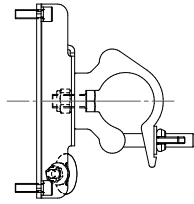
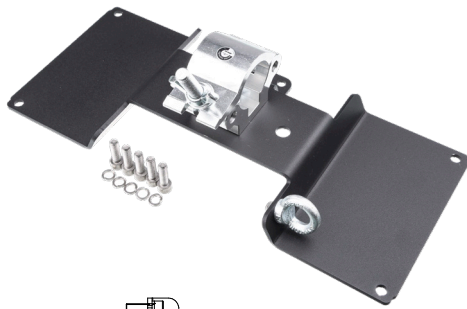
Half Top Hat Divine 160



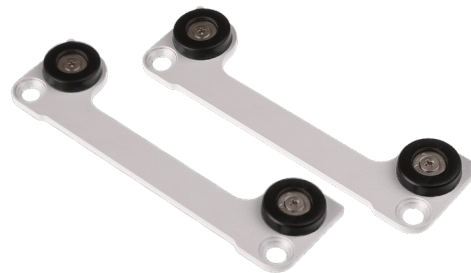
Barn Door Module Divine 160



C-Clamp Adaptor Divine (for side conn. only)



Set of Rubber Feet - Graphite / Silver



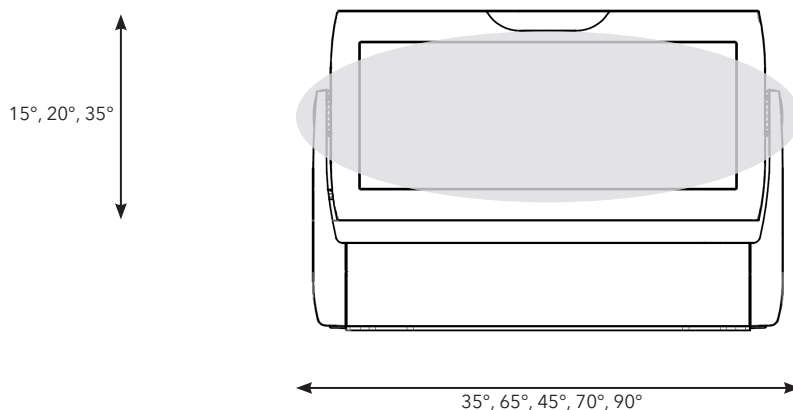
PHOTOMETRIC OVERVIEW

Lumen Output (lm)

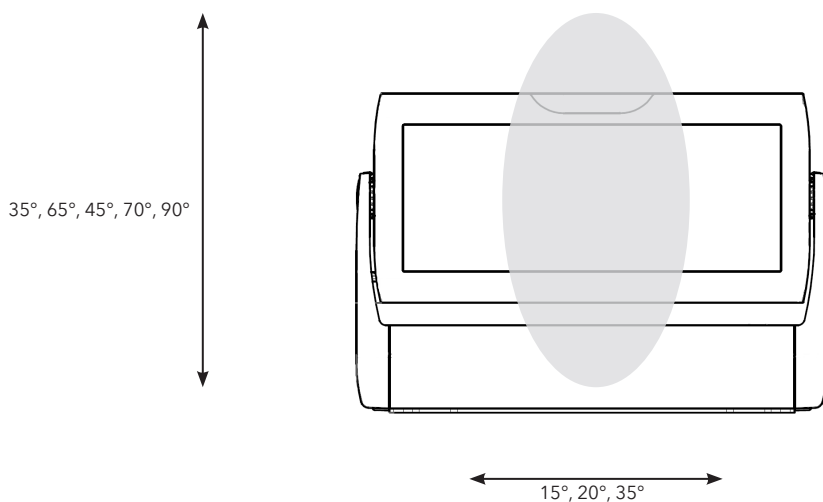
	RGBW	RGBA	PW (3000 K)
13°	11 836	7 697	9 673
25°	10 903	7 090	8 910
35°	10 882	7 076	8 893
45°	10 876	7 072	8 888
65°	10 842	7 050	8 860
100°	10 514	6 837	8 592
15° x 35°, 35° x 15°	10 628	6 911	8 685
15° x 65°, 65° x 15°	11 017	7 164	9 003
20° x 45°, 45° x 20°	10 981	7 141	8 974
35° x 70°, 70° x 35°	10 912	7 096	8 918
35° x 90°, 90° x 35°	10 495	6 825	8 577
20° x 90°, 90° x 20°	11 022	7 167	9 007

BI-SYMMETRICAL BEAM ANGLES

Bi-symmetrical: 15°x35°, 15°x65°, 20°x45°, 35°x70°, 35°x90°, 20°x90°

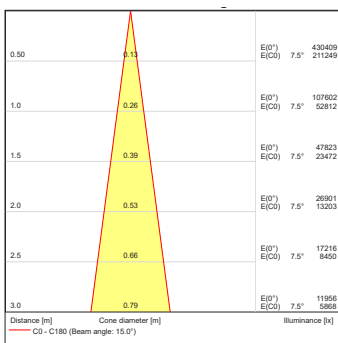
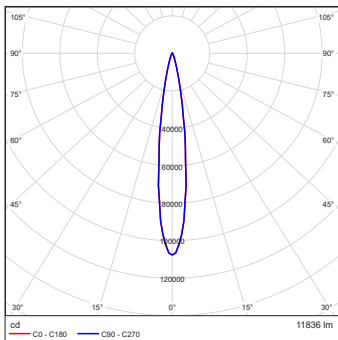


Bi-symmetrical: 35°x15°, 65°x15°, 45°x20°, 70°x35°, 90°x35°, 90°x20°

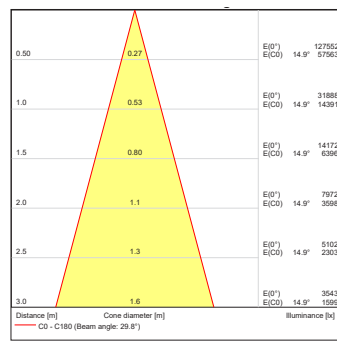
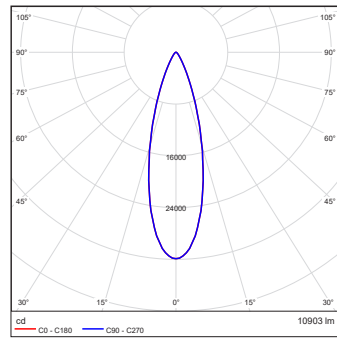


PHOTOMETRIC DATA

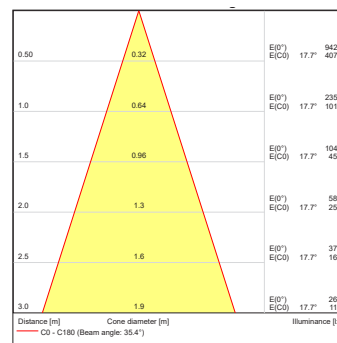
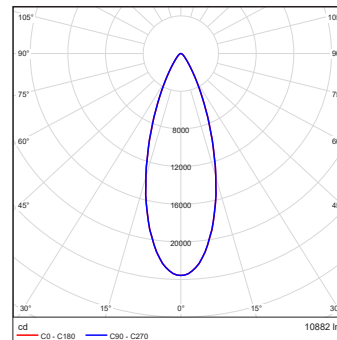
Divine 160 RGBCW 13dg



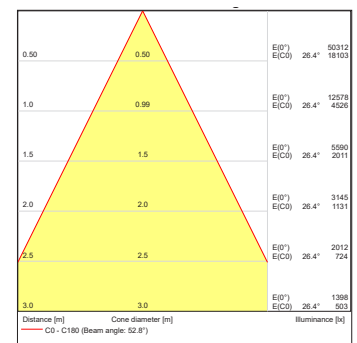
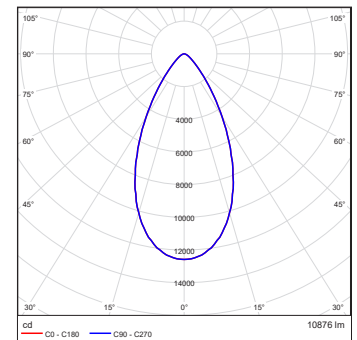
Divine 160 RGBCW 25dg



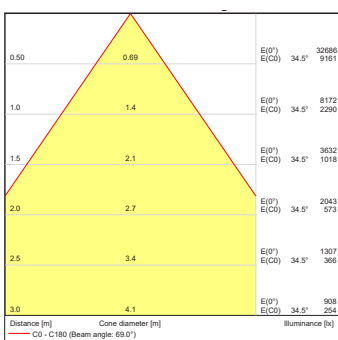
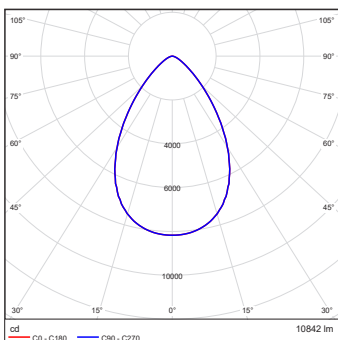
Divine 160 RGBCW 35dg



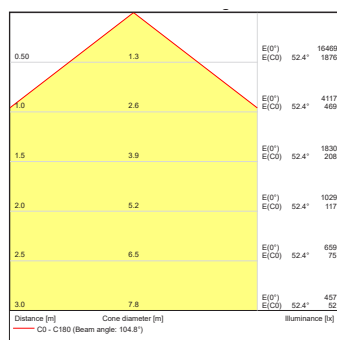
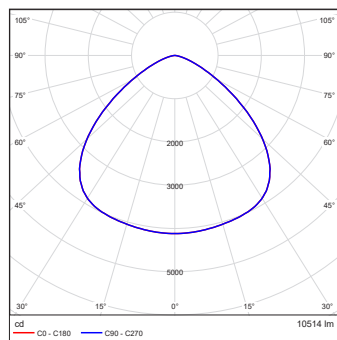
Divine 160 RGBCW 45dg



Divine 160 RGBCW 65dg

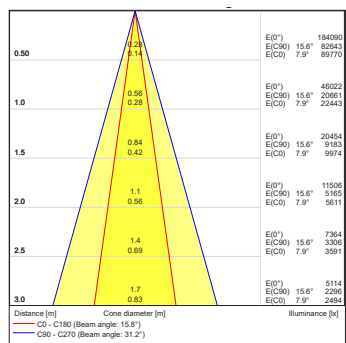
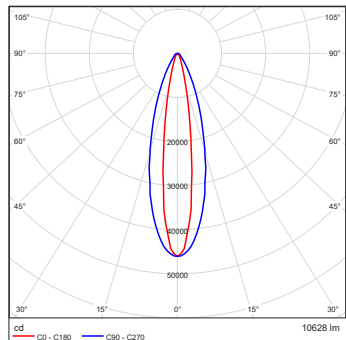


Divine 160 RGBCW 100dg

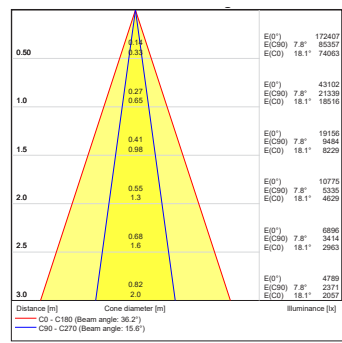
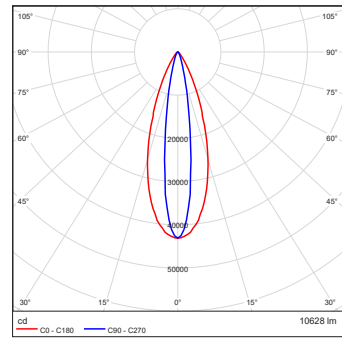


PHOTOMETRIC DATA

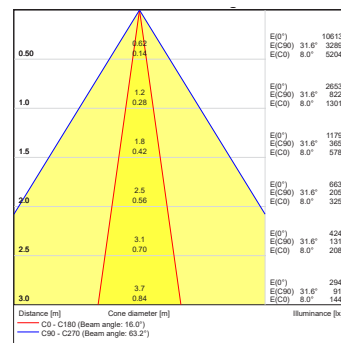
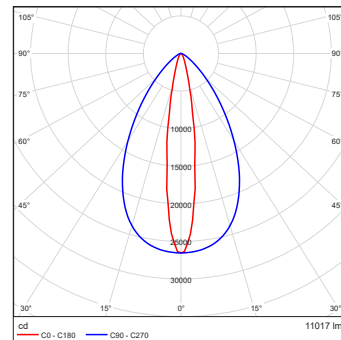
Divine 160 RGBCW 15dg x 35dg



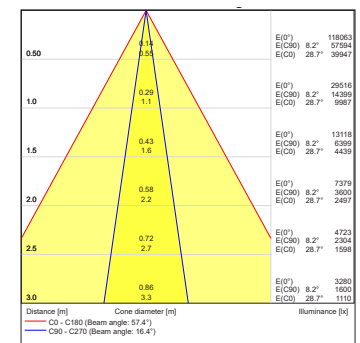
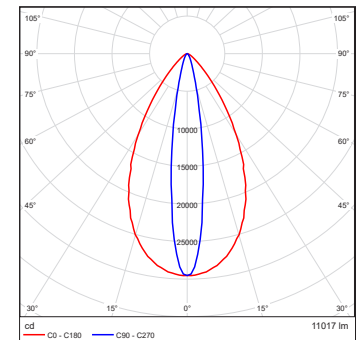
Divine 160 RGBCW 35dg x 15dg



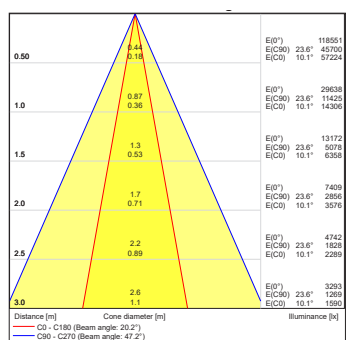
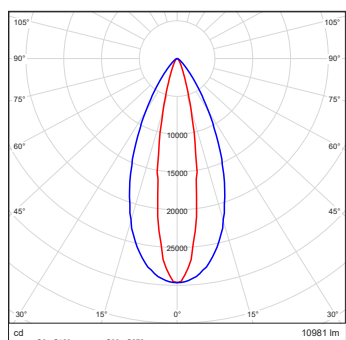
Divine 160 RGBCW 15dg x 65dg



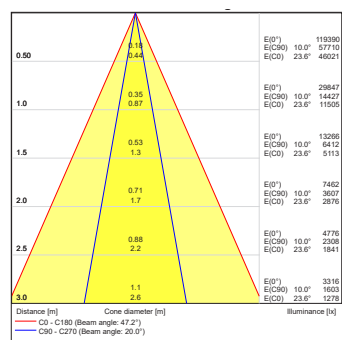
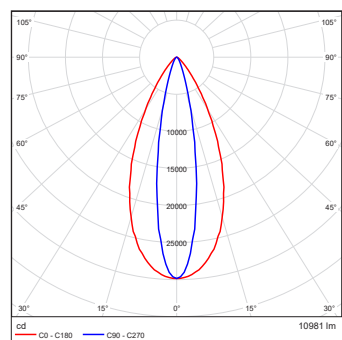
Divine 160 RGBCW 65dg x 15dg



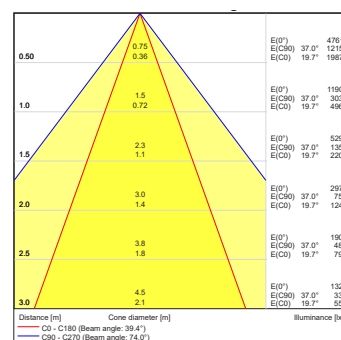
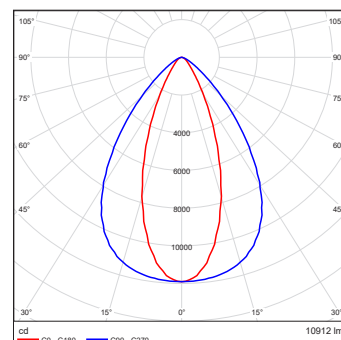
Divine 160 RGBCW 20dg x 45dg



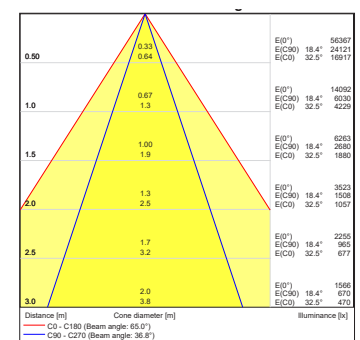
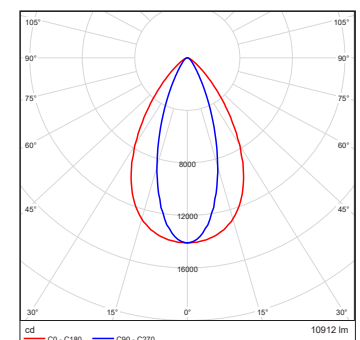
Divine 160 RGBCW 45dg x 20dg



Divine 160 RGBCW 35dg x 70dg

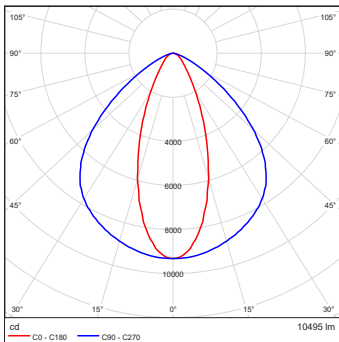


Divine 160 RGBCW 70dg x 35dg

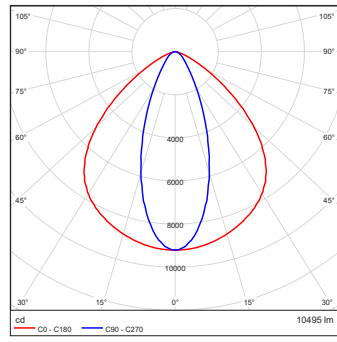


PHOTOMETRIC DATA

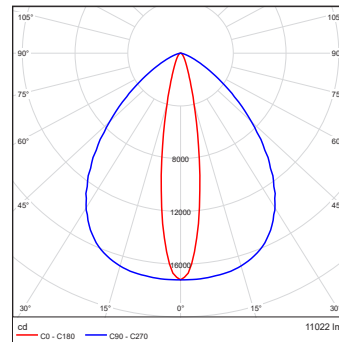
Divine 160 RGBCW 35dg x 90dg



Divine 160 RGBCW 90dg x 35dg



Divine 160 RGBCW 20dg x 90dg



Divine 160 RGBCW 90dg x 20dg

