

EMINERE™ 1 / 2 / 3 / 4

The new Eminere™ range by Anolis builds on the success of the original ArcLine™ Outdoor Series with precision optics and is available in a variety of sizes. It's perfect for a wide range of exterior and interior applications such as Flood Lighting, Wall Grazing, Wall Washing and Accent Lighting. Built to exact standards, these linear fixtures are tough enough to withstand extreme environments whilst producing beautiful colours from the RGBW, RGBA or PureWhite LED chips.



KEY FEATURES

Application Flexibility

Eminere's optics can be used for various applications including wall grazing, flood lighting, wall washing, wide flood lighting, spot lighting and accent lighting.

Quick and Easy Installation

Plug&Play system means easy installation, fast adjustment and intuitive programming with self-addressing.

Naturally looking result

Full spectrum coverage by using RGBW colour mixing with precise wave lengths of each colour for modern architecture or specifically designed combination of RGBA to highlight every single detail of historical buildings or monuments.

Durability

Eminere is rated IP67, suitable for wet locations and has a protection rating of IK06. Marine grade finish option also available for harsh environmental conditions.

CONTROL & PROTOCOLS



OPTIONAL



OPTIONAL

STANDARD & SPECIFICATION



Vibration Standard for Bridge



5 Year Warranty

COLOURS



RGBW

RGBA

Pure White

Tuneable White

COLOUR TEMPERATURE



2.500 K*

2.700 K*

3.000 K

3.500 K*

4.000 K*

5.000 K*

6.500 K*

2.700-6.500 K*

* UPON REQUEST

FINISH OPTIONS



RAL 9011 Graphite Black

RAL 9006 Silver

RAL - CUSTOM Paint Colour

RAL 9011 9016 HARSH Environment

OPTIC OPTIONS

SYMMETRICAL



9°

15°

30°

50°

65°

100°

ASYMMETRICAL



WIDE WALLWASHER

WALLWASHER

BI-SYMMETRICAL



10x30°

10x60°

15x90°

35x70°

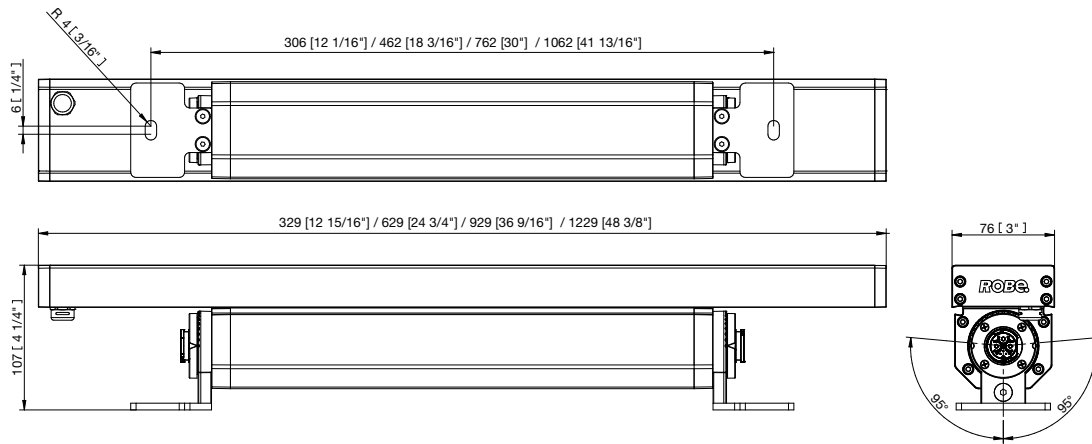
30x10°

60x10°

90x15°

70x35°

DIMENSIONS



PHOTOMETRIC OVERVIEW

Based on RGBW version, all leds @ full

Lumen Output (lm)

	EMINERE 1	EMINERE 2	EMINERE 3	EMINERE 4
9°	1 147	2 294	3 441	4 588
15°	978	1 956	2 910	3 912
30°	1 046	2 092	3 138	4 184
50°	1 039	2 078	3 117	4 156
65°	1 040	2 080	3 120	4 160
100°	996	1 992	2 988	3 984
10° x 30°	1 032	2 064	3 096	4 128
10° x 60°	1 051	1 874	2 811	3 748
15° x 90°	970	1 940	2 934	3 880
35° x 70°	1 040	2 080	3 120	4 160
WallWasher	952	1 904	2 856	3 806
Wide WallWasher	854	1 708	2 562	3 416

EMINERE SPECIFICATION

ELECTRICAL	Input Voltage	120 - 277 V AC 50/60 Hz			
	Typical Power Consumption	Eminere 1		25 W	
		Eminere 2		45 W	
		Eminere 3		65 W	
Eminere 4		85 W			
OPTICAL	Light Source	12, 24, 36, 48 x High Power Single Chip LEDs			
	Colour Variants	RGBW (W - 6.500 K)	RGBA	PW (W - 3.000 K)	
		Variants On Request (TW (2700 - 6500 K) 2.500 K 2.700 K 3.500 K 4.000 K 5.000 K 6.500 K)			
	Beam Angle	Symmetrical: 9° 15° 30° 50° 65° 100°			
		Bi-symmetrical: 10° x 30° 30° x 10° 10° x 60° 60° x 10° 35° x 70° 70° x 35° 15° x 90° 90° x 15°			
		Asymmetrical: Wallwasher Wide Wallwasher			
Lumen Output Delivered	Eminere 1		1.147 lm, RGBW @ 9°		
	Eminere 2		2.294 lm, RGBW @ 9°		
	Eminere 3		3.441 lm, RGBW @ 9°		
	Eminere 4		4.588 lm, RGBW @ 9°		
Projected Lumen Maintenance	60.000 hrs (L70 @ 25 °C / 77 °F)				
CONTROL	Interface Protocol	Via E-Box range or Wireless DMX (excluded Eminere 1)			
	E-Box Control Protocols	USITT DMX512, RDM, ArtNet, MA Net, MA Net2, sACN, Kling-Net			
	Wireless DMX (Option)	Lumen Radio CRMX Technology			
	Operating Modes	Pixel (12 LEDs/300mm) or Fixture mode			
	Setting / Addressing	Via Two Row LCD Display with Control Buttons or RDM communicator			
	Power Supply	Integrated			
	Connectivity	E-box Lite	144 of Eminere 1 (@ 230 V and 40m cable) via 1 Output		
E-box Daisy		144 of Eminere 1 (@ 230 V and 40m cable) via 1 Output			
E-box Star		144 of Eminere 1 (@ 230 V and 40m cable) via 6 Outputs			
PHYSICAL	Width x Height x Length	Eminere 1		76 x 107 x 329 mm (2.99 x 3.58 x 12.95 in.)	
		Eminere 2		76 x 107 x 629 mm (2.99 x 3.58 x 24.76 in.)	
		Eminere 3		76 x 107 x 929 mm (2.99 x 3.58 x 36.57 in.)	
		Eminere 4		76 x 107 x 1229 mm (2.99 x 3.58 x 48.38 in.)	
	Weight	2.5 kg 5.51 lbs	4.0 kg 8.82 lbs	5.9 kg 13.0 lbs	7.7 kg 17.0 lbs
	Housing	High Pressure Extruded Aluminium Body End Caps - Die-Cast Aluminium Tempered Glass			
	Finish Options	Standard Colour - Graphite Black (RAL 9011) Silver (RAL 9006)			
		Cost Option - Custom RAL Harsh Environment (RAL 9016, RAL 9011)			
	Cables / Connections	IP67 Hybrid Connection (Power + Data)			
	Mounting Method	Surface Mount With Different Type of Brackets			
	Adjustability	+/- 95°			
	Protection Factor	IP67 / Suitable For Wet Locations			
	IK Rating	IK06			
	Cooling System	Convection			
Operating Ambient Temperature	-20 °C / +40 °C (-4 °F / +104 °F)				
Operating Temperature	+67 °C @ Ambient +40 °C (+153 °F @ Ambient +104 °F)				
CERTIFICATION	Listings	ETL / cETL, CE, RoHS			

EMINERE SPECIFICATION

ACCESSORIES	Mounting Brackets	Mounting Brackets 50 mm		
		Mounting Brackets 100 mm		
		Mounting Brackets 200 mm		
		Mounting Brackets 300 mm		
		Mounting Brackets - custom length		
	Cable Covers	Cable Cover For Eminere 1	Cable Cover For Eminere 3	
		Cable Cover For Eminere 2	Cable Cover For Eminere 4	
	Shields	Shield For Eminere 1	Shield For Eminere 3	
		Shield For Eminere 2	Shield For Eminere 4	
	Optical Demo Set	Optical Demo Set For Eminere 1	Optical Demo Set For Eminere 3	
		Optical Demo Set For Eminere 2	Optical Demo Set For Eminere 4	
	Cables and Connectors	Field Installable Connector FF		
		Field Installable Connector FM		
		Cable CE WCA Cable US WCA		
		Waterproof Cover Cap FM ZAHB-0006		
		CE/UL Leader Cables FF for Eminere:	Leader Cable FF 2m	
			Leader Cable FF 5m	
			Leader Cable FF 10m	
			Leader Cable FF 25m	
			Leader Cable FF 50m	
		CE/UL Jumper Cables FF/FM for Eminere:	Jumper Cable FF/FM 0,25m	
			Jumper Cable FF/FM 0,5m	
			Jumper Cable FF/FM 1m	
Jumper Cable FF/FM 2m				
Jumper Cable FF/FM 3m				
Jumper Cable FF/FM 5m				
Jumper Cable FF/FM 10m				
Booster Box	Booster Box			

COLOUR MIXING PRINTS

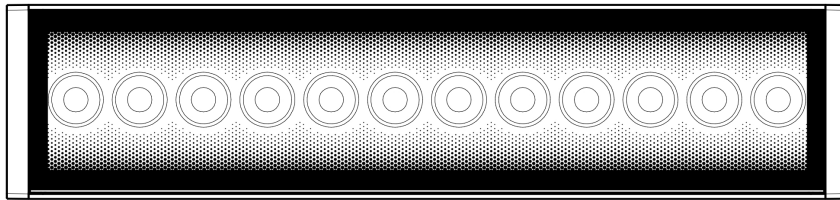
STAND ALONE

Specially designed glass printing to achieve optimal colour mixing and intensity distribution.

HEAD2HEAD

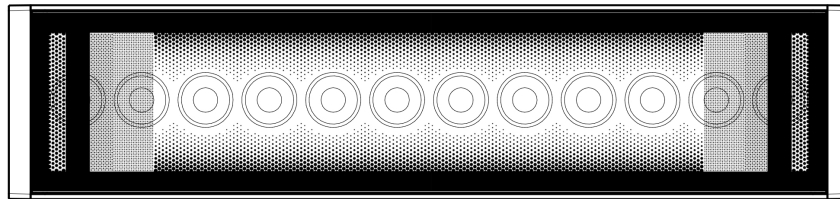
Fixtures without special end glass print installed right next to each other create absolutely perfect colour and intensity overlap.

Note:
Applies for RGBW, RGBA versions.
Pure white and Tunable white versions are always without the end print (no matter on their position to other fixture).

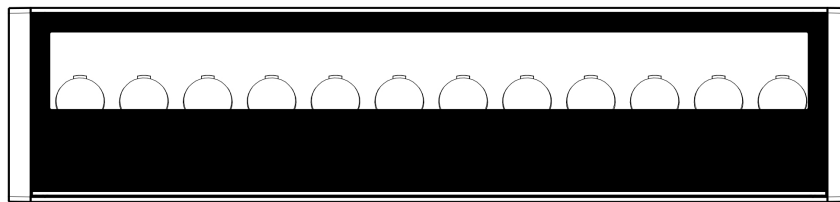


HEAD2HEAD

SYMMETRICAL

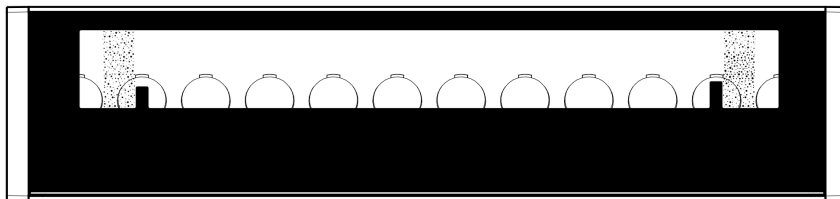


STAND ALONE



HEAD2HEAD

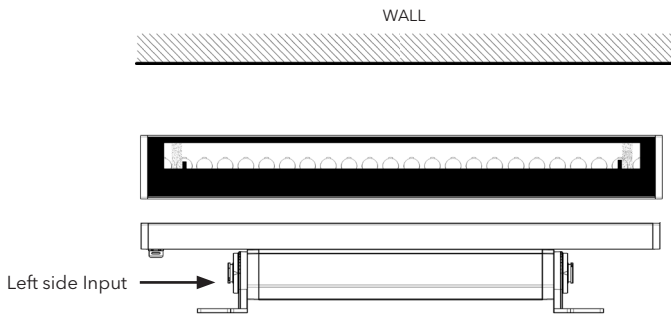
WALLWASHER



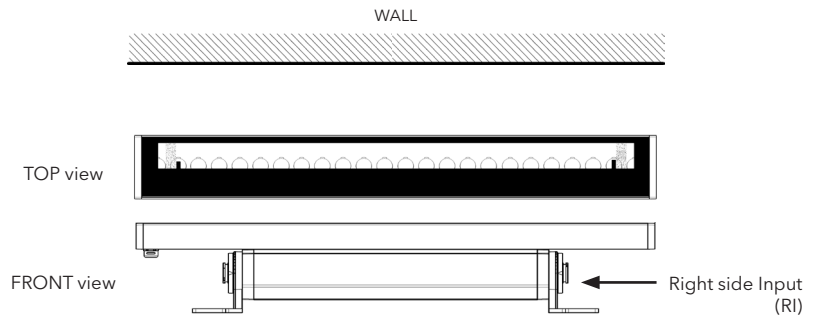
STAND ALONE

EMINERE WALLWASHER INPUT OPTIONS

STANDARD



UPON REQUEST



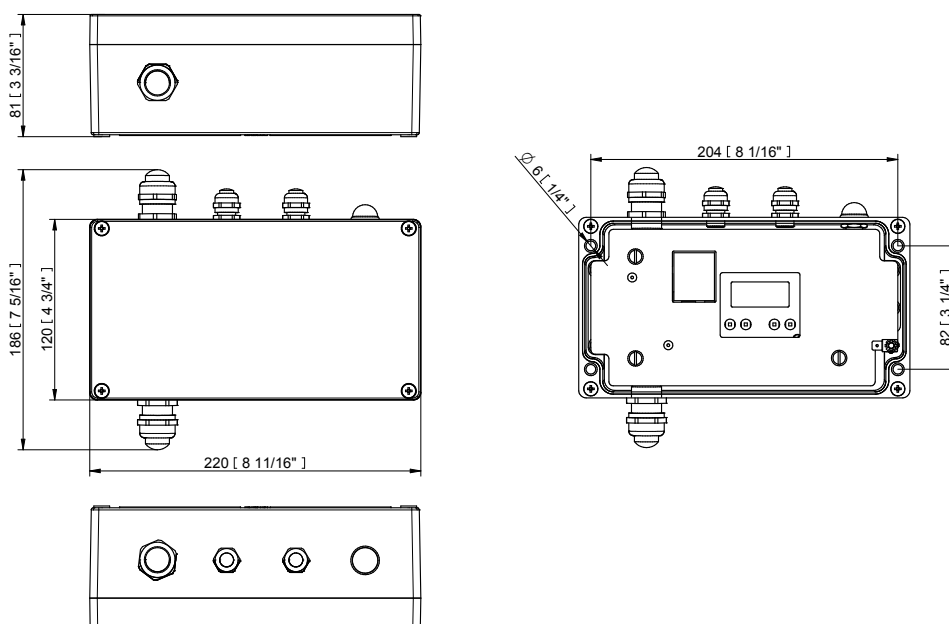
E-BOX SPECIFICATION

ELECTRICAL	Input Voltage	120 - 277 V AC 50/60 Hz		
	Wireless DMX (Option)	Lumen Radio CRMX Technology		
CONTROL	Interface Protocol	E-box Lite: USITT DMX512, RDM, Kling-Net		
		E-box Daisy: USITT DMX512, RDM, ArtNet, MA Net, MA Net2, sACN, Kling-Net		
		E-box Star: USITT DMX512, RDM, ArtNet, MA Net, MA Net2, sACN, Kling-Net		
	Operating Modes	Pixel (12 LEDs) or Fixture mode		
	Display	Via Two Row LCD Display with Control Buttons or RDM communicator		
	Control System	E-box With Self Addressing Feature or Custom Setting Via LCD Display/RDM		
	Power Supply	Integrated		
CONNECTIVITY	E-box Lite	144 of Eminere 1 (@ 230 V and 40m cable) via 1 Output		
	E-box Daisy	144 of Eminere 1 (@ 230 V and 40m cable) via 1 Output		
	E-box Star	144 of Eminere 1 (@ 230 V and 40m cable) via 6 Outputs		
PHYSICAL	Length x Width x Height	E-box Lite	220 x 120 x 81 mm (8.66 x 4.72 x 3.18 in.)	
		E-box Daisy	260 x 160 x 91 mm (10.24 x 6.30 x 3.58 in.)	
		E-box Star	280 x 230 x 111 mm (11.02 x 9.06 x 4.37 in.)	
	Weight	1.75 kg 3.85 lbs	2.71 kg 5.97 lbs	2.85 kg 6.28 lbs
	Housing	Die-Cast Aluminium Case		
	Finish Options	Standard Colour - Graphite Black (RAL 9011) Silver (RAL 9006)		
		Cost Option - Custom RAL Harsh Environment (RAL 9016, RAL 9011)		
	Cables / Connections	Cable Grommet (stainless steel)		
	Mounting Method	Surface Mount , 4 Mounting Holes		
	Protection Factor	IP67 / Suitable For Wet Locations		
IK Rating	IK10			
Cooling System	Convection			
Operating Ambient Temperature	-20 °C / +40 °C (-4 °F / +104 °F)			
CERTIFICATION	Listings	ETL / cETL, CE, RoHS		

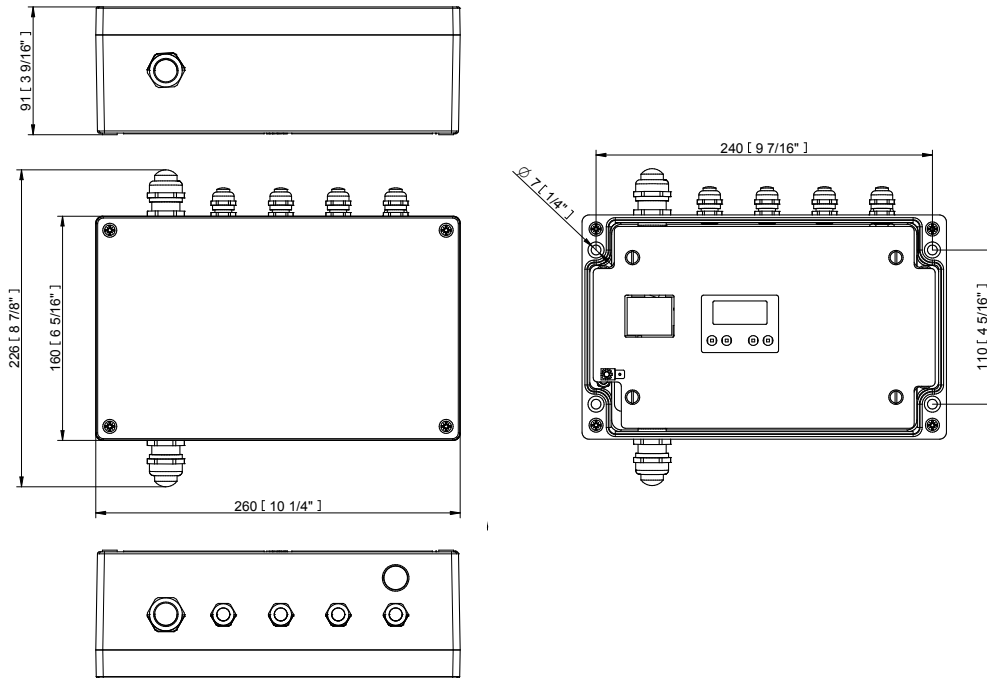
COMPARISON

	E-BOX LITE	E-BOX DAISY	E-BOX STAR
Power input	1	1	1
Fixture Output	1	1	6
Total load (current)	16A	16A	16A
DMX control	YES	YES	YES
RDM	YES	YES	YES
Art-Net	NO	YES	YES
Ethernet switch	NO	YES	YES
Kling-Net	YES	YES	YES
sACN	NO	YES	YES
MA Net, MA Net2	NO	YES	YES

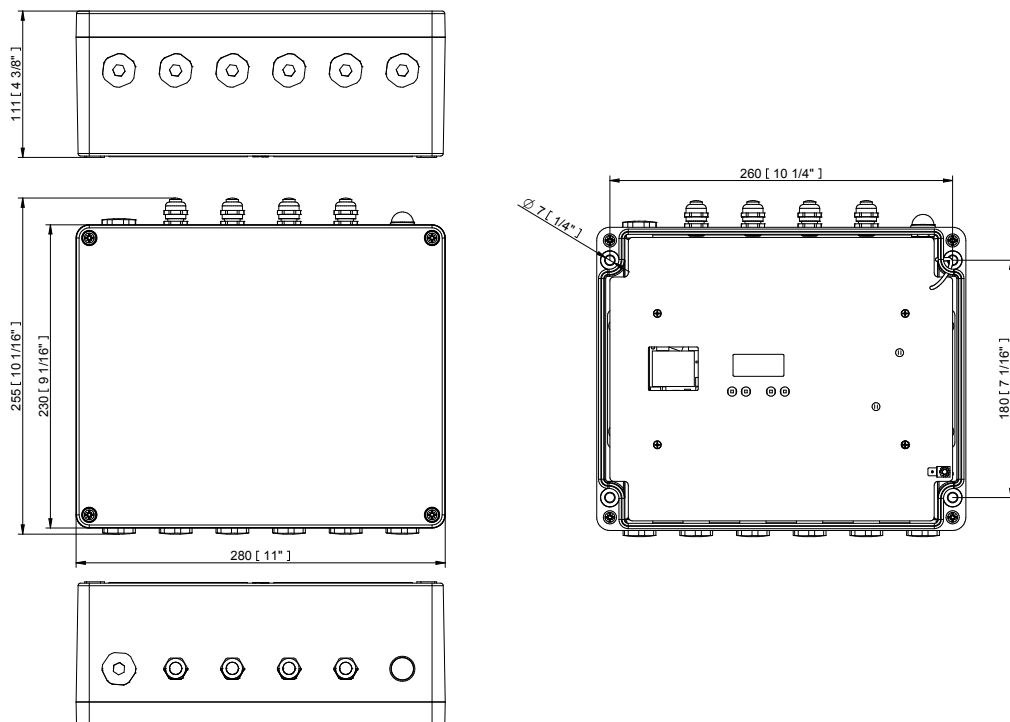
E-BOX LITE



E-BOX DAISY

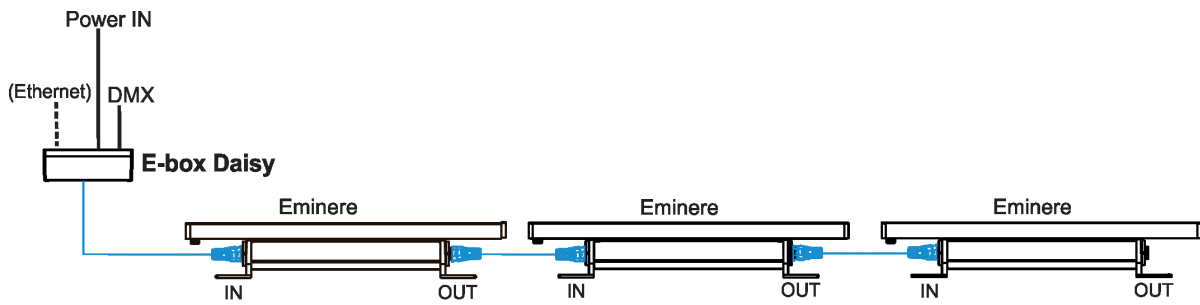


E-BOX STAR

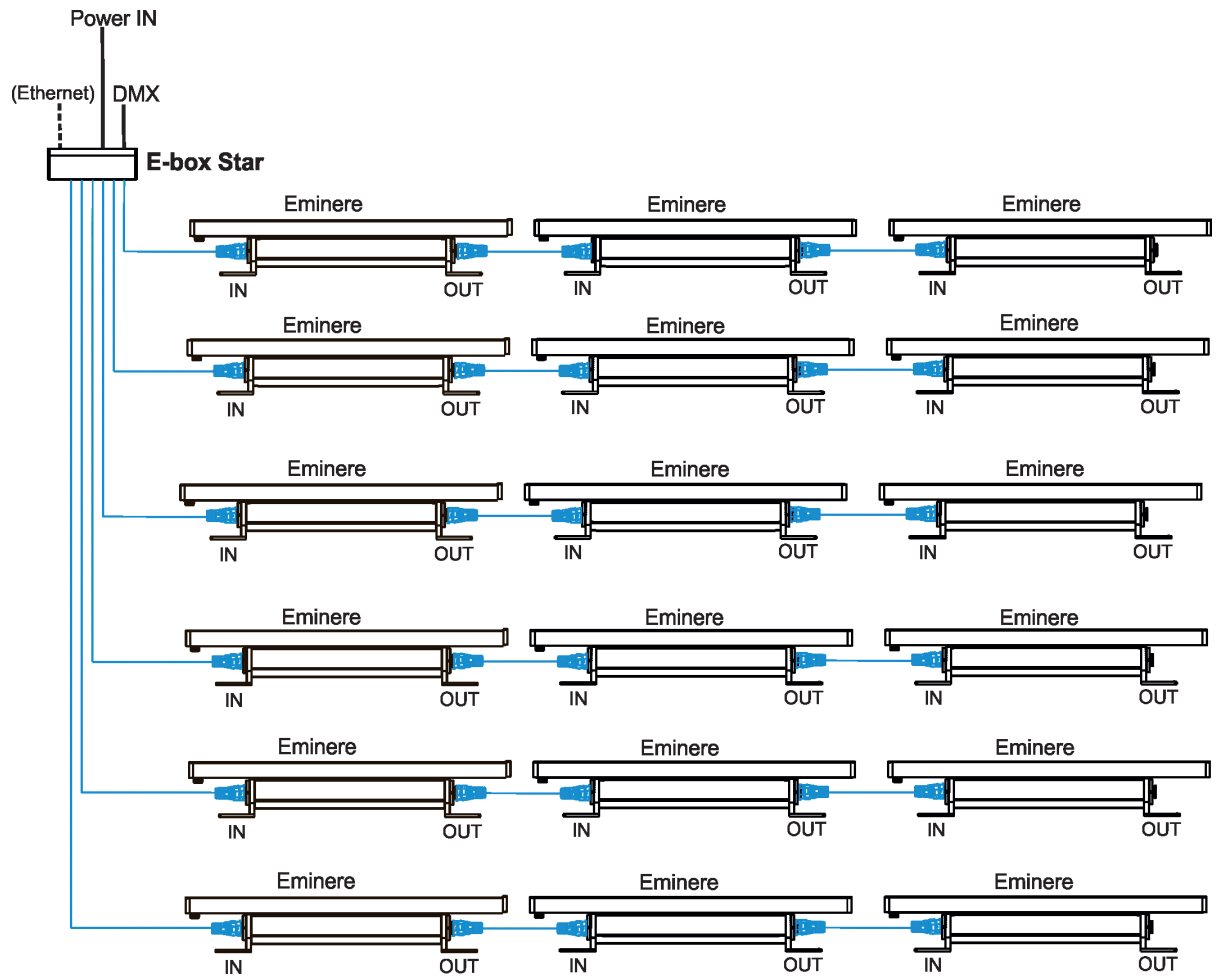


CONNECTION

E-BOX LITE / DAISY



E-BOX STAR

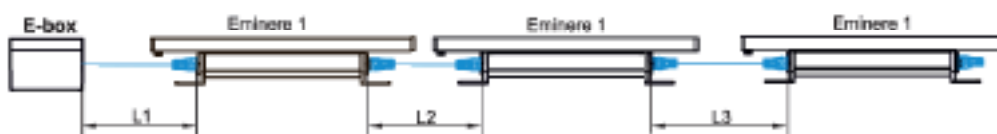


CONNECTIVITY

Following table shows maximum connected Emineres on each output of E-Box with respect of cable length.

	Cable length (m)	Voltage (V)				
		100	120	190	230	277
EMINERE 1	10	69	83	131	159	191
	20	61	83	131	159	191
	30	40	58	131	159	191
	50	24	35	88	128	186
	70	17	25	63	92	133
	100	12	17	44	64	93
	200	6	9	22	32	47
EMINERE 2	10	34	41	64	78	94
	20	30	41	64	78	94
	30	20	28	64	78	94
	50	12	17	43	63	91
	70	8	12	31	45	65
	100	6	9	21	31	46
	200	3	4	11	16	23
EMINERE 3	10	23	28	44	53	64
	20	20	28	44	53	64
	30	13	19	44	53	64
	50	8	12	29	43	62
	70	6	8	21	31	44
	100	4	6	15	21	31
	200	2	3	7	11	16
EMINERE 4	10	17	21	33	40	48
	20	15	21	33	40	48
	30	10	15	33	40	48
	50	6	9	22	32	47
	70	4	6	16	23	38
	100	3	4	11	16	23
	200	2	2	5	8	12

* Cable length is a total cable length between E-box and last connected Eminere. Example: Total cable length=L1+L2+L3

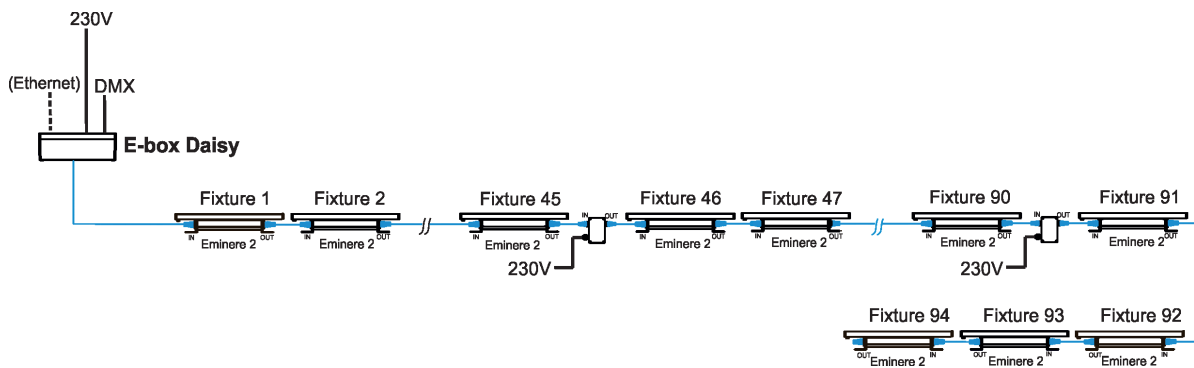


THE BOOSTER BOX

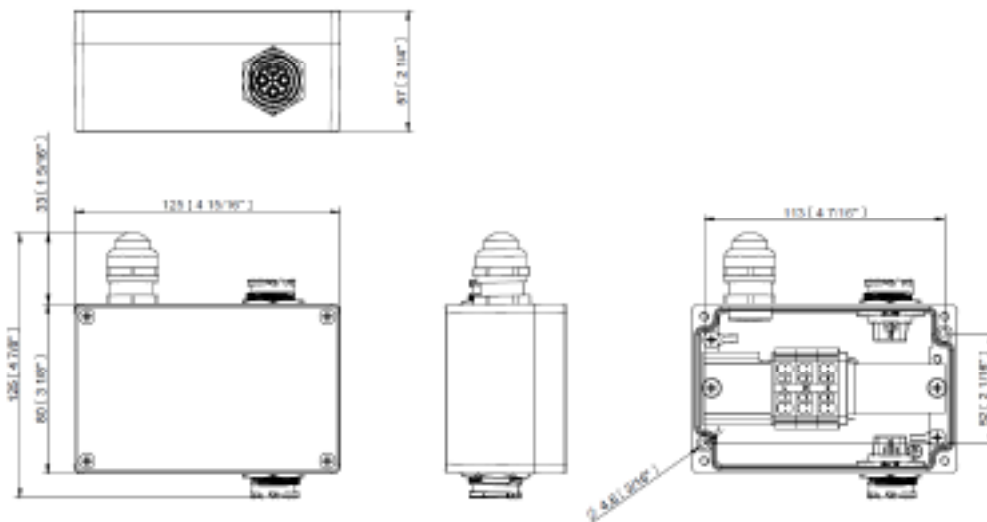
To compensate a voltage drop in a large installation, the Booster boxes have to be connected in the chain of Eminere modules.



Example: E-box Daisy, Power supply= 230V, Cable length=70m, fixture=Eminere 2.
The Booster box has to be connected after every 45th Eminere 2 (fixture 45 and fixture 90) from 94 fixtures.

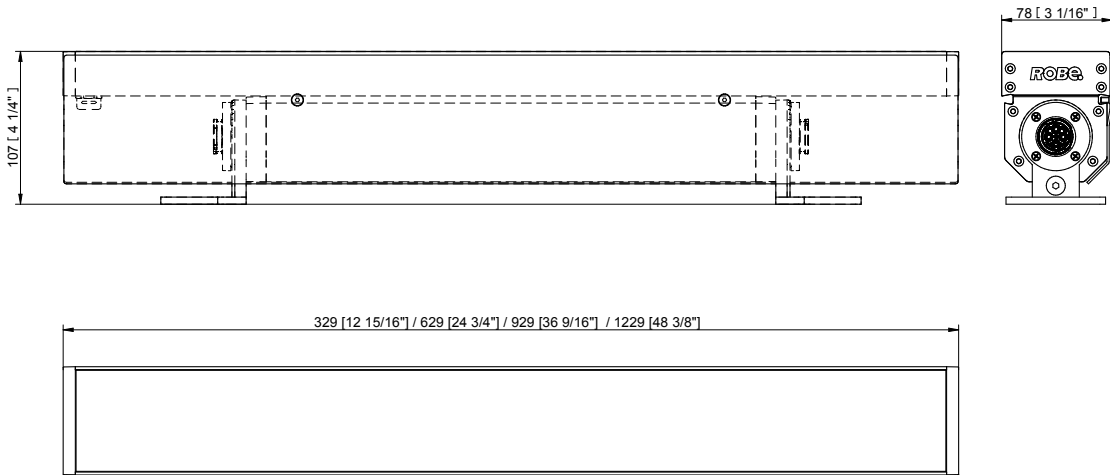


DIMENSIONS

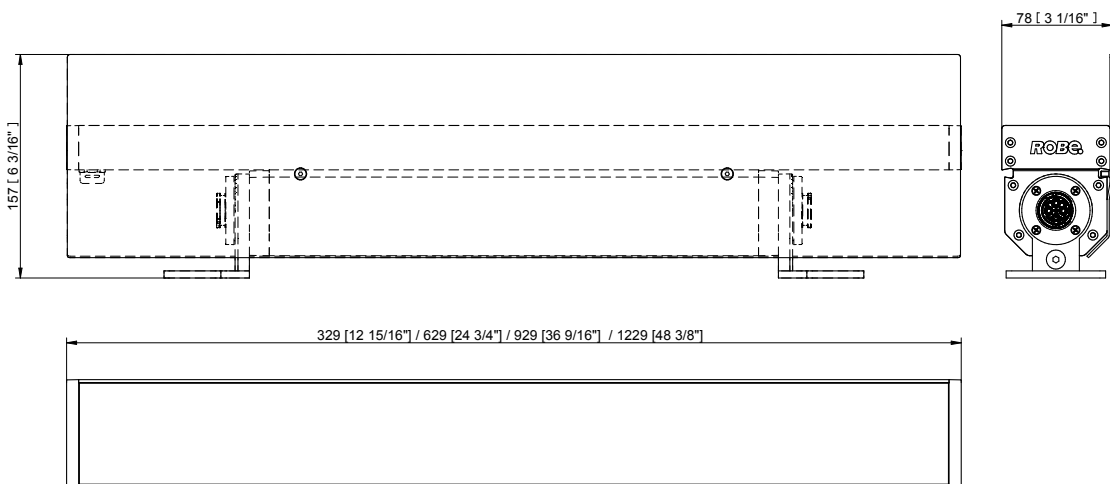


ACCESSORIES

Cable Cover for Eminere

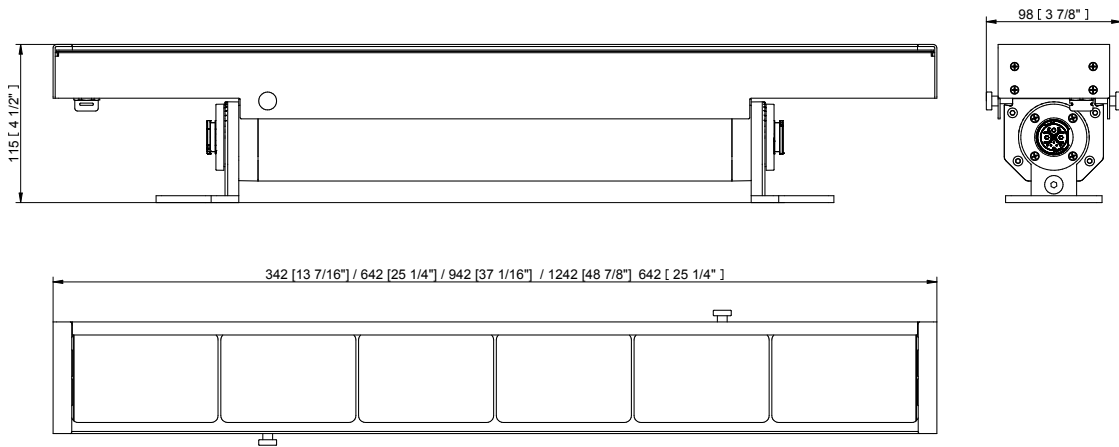


Shield for Eminere

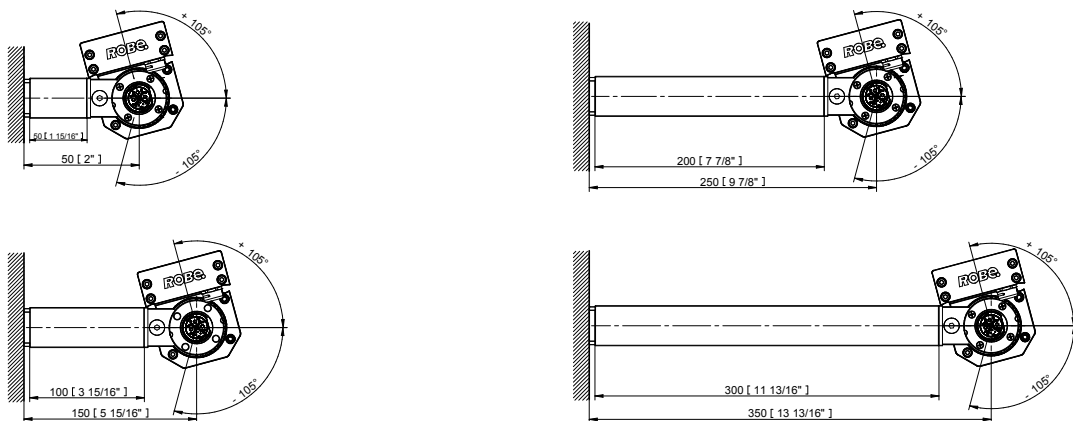


ACCESSORIES

Optical Demo Set

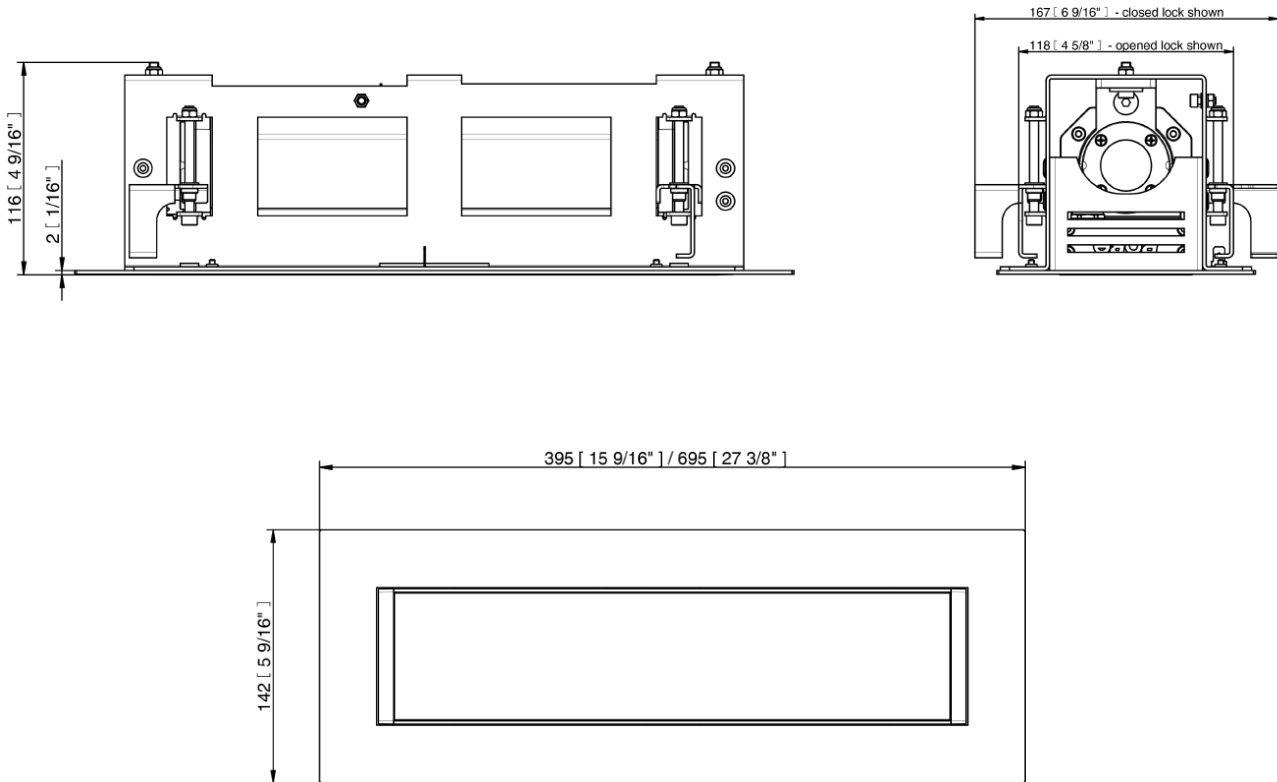


Mounting brackets



ACCESSORIES

Ceiling Adaptor for Eminere 1 / 2 - custom option



NOTE: This option requires possibility to connect cables to the fixture above a false ceiling. For other connection options please contact the factory.

CABLES

Leader Cable - for connecting E-Box with first Eminere. Comes with Waterproof End Cap which has to be installed to the last Eminere's output connector.

Female connector
Female pins



Jumper Cable - for connection between two Emineres.

Female connector
Female pins



Female connector
Male pins

Field installable connector

- for special cases, where Jumper Cable can't be used. Then use Leader Cable with Field installable connector to make a connection between Emineres.

Female connector
Female pins



Female connector
Male pins

Waterproof End Cap - Install at the end of line to the last Emineres output connector.



Cable lengths available

IN METRES	LEADER CABLE	JUMPER CABLE
0,25	-	YES
0,5	-	YES
1	-	YES
2	YES	YES
3	-	YES
5	YES	YES
10	YES	YES
25	YES	-
50	YES	-