

E-BOX DAISY™

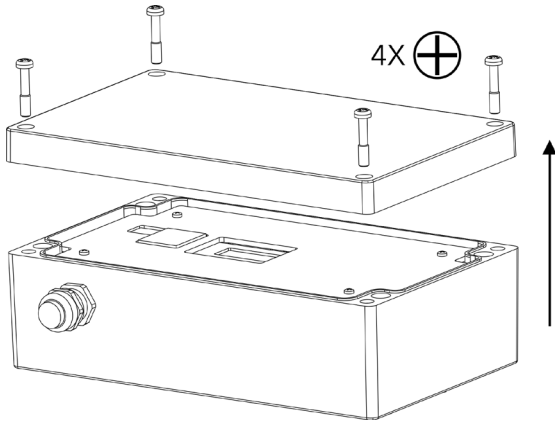
INSTALLATION INSTRUCTIONS



Fixture must be installed by a qualified electrician in accordance with all national and local electrical and construction codes and regulations.

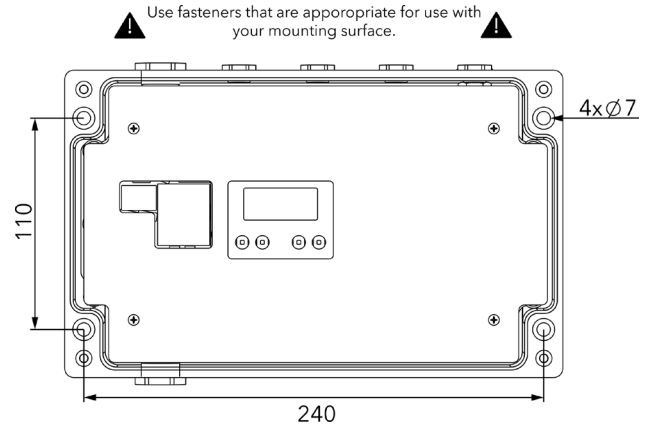


STEP 1 OPEN BOX



Uncover E-box.

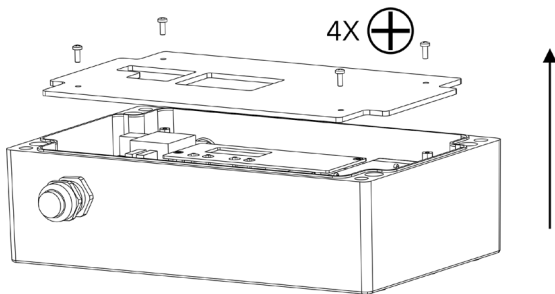
STEP 2 INSTALL HOUSING



Drill holes to the surface according to holes spacing. Mount E-box via mounting holes on the surface.

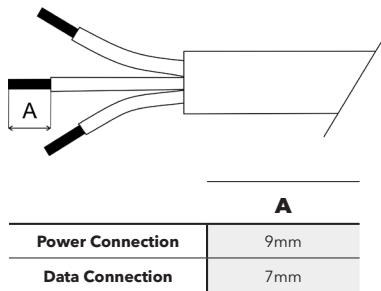
STEP 3 CONNECTION

1



Undo safety cover.

2



Strip these lengths for cable connections.

3 Connection - colour coding

Power Connection - Power IN

	L	N	GROUND
Core (EU)	Brown	Blue	Green/Yellow
Core (US)	Black	White	Green

Cable CE Leader - LED Output

WIRE	POWER CONNECTION	WIRE	DATA CONNECTION
Brown	L	Orange	Data - (D-)
Blue	N	Purple	Data + (D+)
Green	Ground	Shielding	Data Ground (0V)

Cable US Leader - LED Output

WIRE	POWER CONNECTION	WIRE	DATA CONNECTION
Black	L	Orange	Data - (D-)
White	N	Red	Data + (D+)
Green	Ground	Shielding	Data Ground (0V)

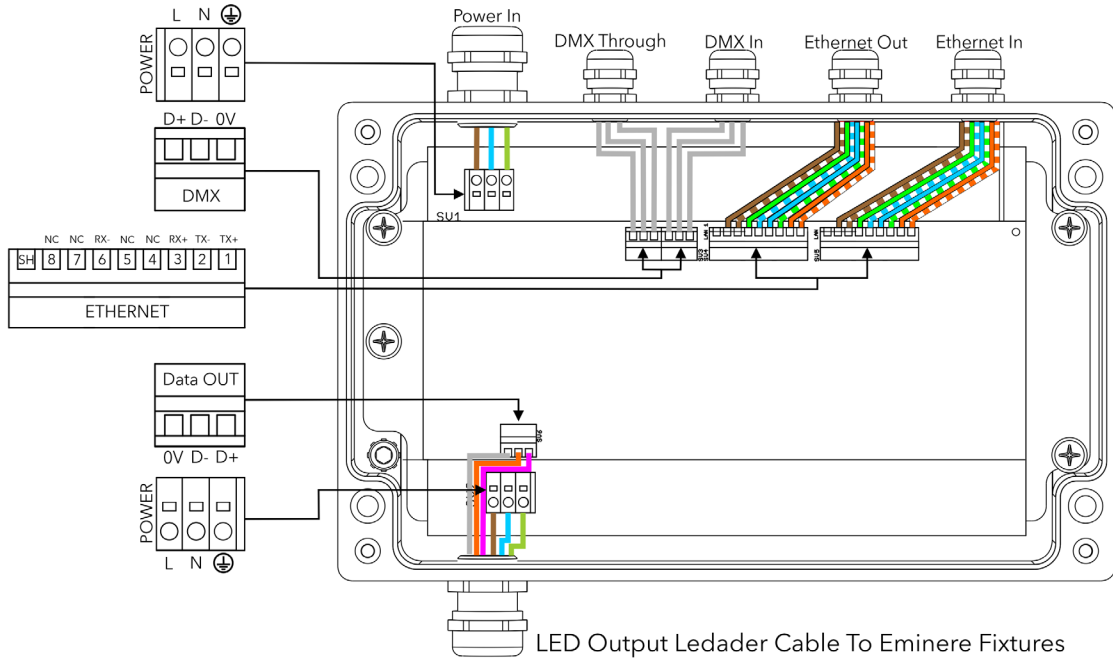
Note for Emineres only!

The wiring stated above applies to the Emineres marked X on their labels only. Older version of Emineres have swapped wires Data - and Data + (Orange wire= Data +, Red/Purple wire= Data -) and do not have mark X on their labels.

Example:



4 Wiring connection

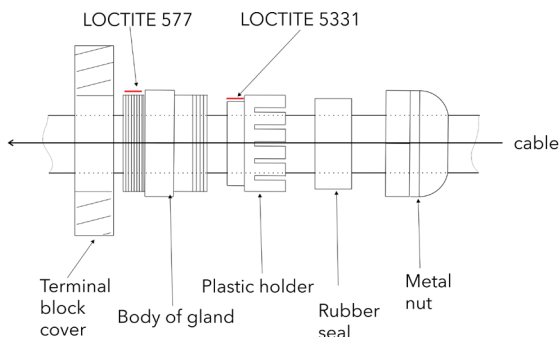


For Data and Power - EU color code shown
For Ethernet - T568B color code shown

STEP 4 CABLE GLAND INSTALLATION

Use wrench size 24 for cable gland M20x1.5
Use wrench size 16 for cable gland M12x1.5

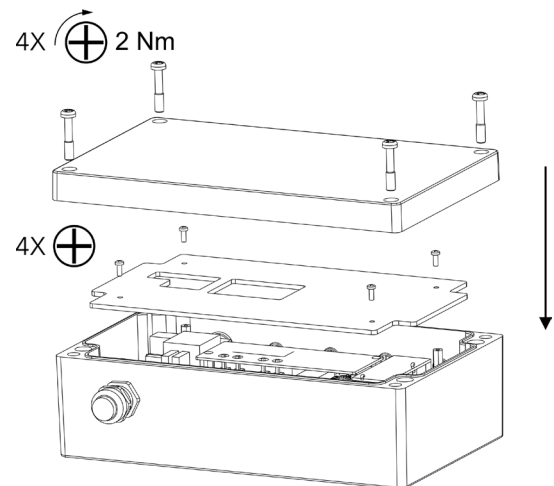
Install Cable glands individually!



We recommend to apply an adequate layer of the paste LOCTITE 5331 on the plastic holder of the cable gland before inserting in into the body of the gland and an adequate layer of the paste LOCTITE 577 on the thread of the gland body.

Failure to properly install cable glands will result in failure of the water tight seal!

STEP 5 CLOSE BOX



Install safety cover and top cover back.

Before applying the torque, make sure the thread is clean and functional.