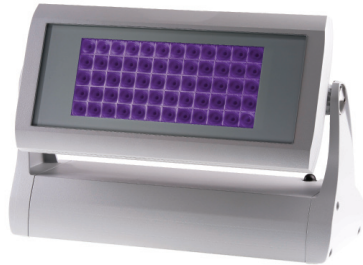


Divine 60UV tm



Client: _____

Project: _____

Specifier: _____

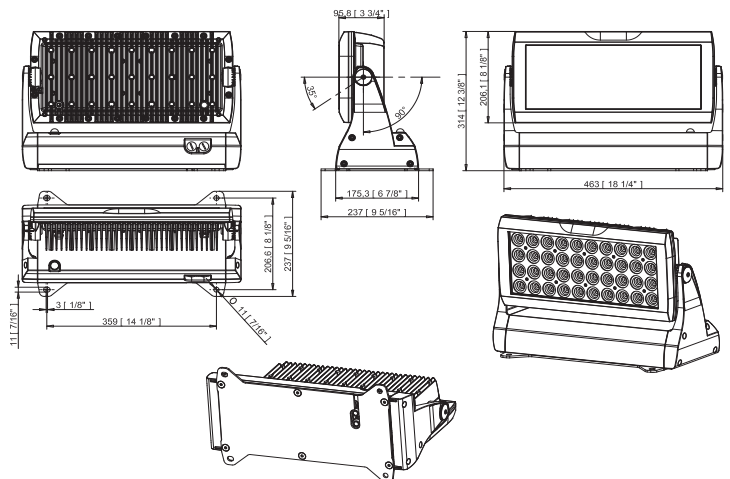
Type: _____ Qty: _____



Dimensions include mounting adaptor

FEATURES:

- Input Voltage: 100-277V AC 50/60Hz
- Power consumption: 180W +/-10%
- Light Source: 60 x UV LEDs
- Wave length: 365nm (Peak)
- Projected LED Life: 16,000 Hrs (L70@ 25°C / 77°F)
- Control: DMX Controller
- Housing: High Pressure Die-Cast Aluminium
Tempered Glass
- Mounting Method: Surface Mount, Flush (J-Box)
C-Clamp (Side Connection Only)
- IP Rating: IP67
- Operating Ambient Temp: -20°C/+40°C (-4°F/+104°F)
- Certification: ETL/cETL, CE, RoHS
- 5 Year Warranty



HOW TO ORDER

Divine	Variant	Colour Temp	Optic	Options	Finish	
60	UV	365nm	38°	Wireless	W - White	
					S - Silver	
					B - Black	
					R - RAL	* * *

Product Specification:

Electrical	Input Voltage		100-277V AC 50/60 Hz
	Power Consumption		180W +/- 10%
	In Rush Current		20A Cold Start, 25°C (77°F) Ambient, Full Load 115 VAC 30A Cold Start, 25°C (77°F) Ambient, Full Load 230 VAC
Optical	Light Source		60 x UV LED's
	Wave Length		365nm (Peak)
	Beam Angle		38°
	Projected Lumen Maintenance		16,000 hrs (L70@ 25°C / 77°F)
Control	Interface Protocol		USITT, DMX512, RDM, 0-10V
	Wireless DMX (Optional Accessory)		Lumen Radio CRMX Technology
	Control System		Anolis Lighting Controls or any Third Party DMX512 Controllers
	Power Supply		Integral
	Stand Alone Control		Yes
Physical	Width x Height x Depth	Inches	18.2 x 12.4 x 6.9/9.3
		mm	463 x 314 x 175/237
	Weight	lbs	32
		kg	14.5
	Housing		High Pressure Die-Cast Aluminium Body Tempered Glass
	Fixture Cable and Connections		Li9YC11Y Cable 3xAWG16+1x(2xAWG24) (Optional) Integrated Junction Box with Terminal Block
	Mounting Method		Surface Mount, Flush (J Box), C-Clamp (For side Connection Only)
	Adjustability		+35° / -90°
	IP Rating		IP67
	IK Rating		IK10
	Cooling System		Convection
	Operating Ambient Temperature		-20°C / +40°C (-4°F / +104°F)
	Operating Temperature		+75°C @ Ambient + 40°C (+167°F @ Ambient + 104°F)
Total Heat Dissipation		680 BTU/h (Calculated)	
Certification	Listings		ETL / cETL, CE, RoHS

Beam angles may vary depending on colour variant, please see photometric files for details

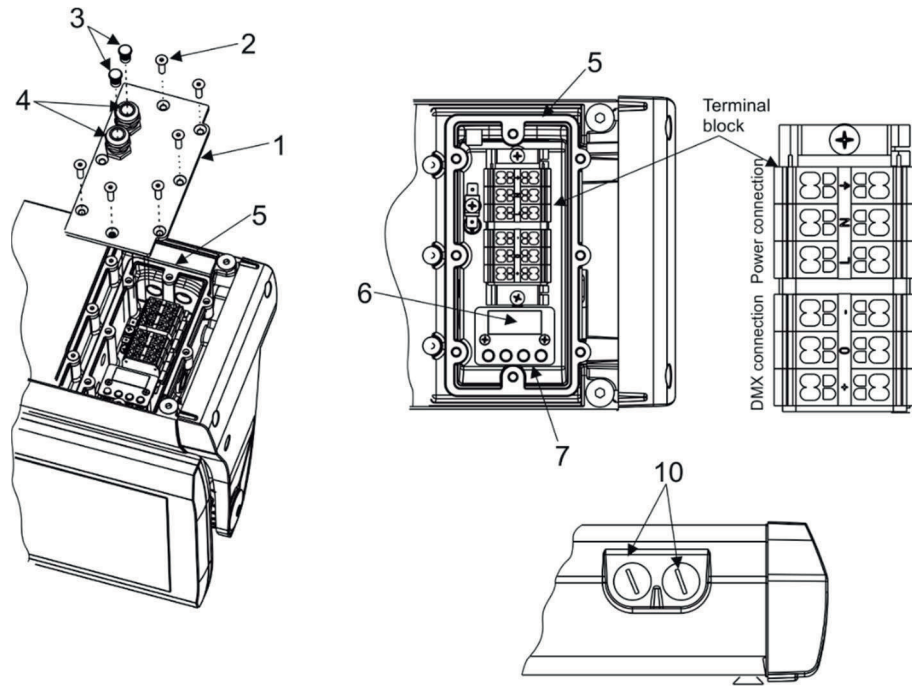
Subject to change without notice - please contact Anolis for clarification

Accessories	Description
	Surface Mounting Adaptor (Included)
1098 0360	Top Hat (Silver)
1098 0361	Half Top Hat (Silver)
1098 0362	Wire Guard / Anti Glare (Silver)
1098 0363	C-Clamp Adaptor (Silver)
	Barn Door Module
1098 0371	Set of Rubber Feet (Silver)
1098 0344	Adaptor Inc Black Glass (Silver)

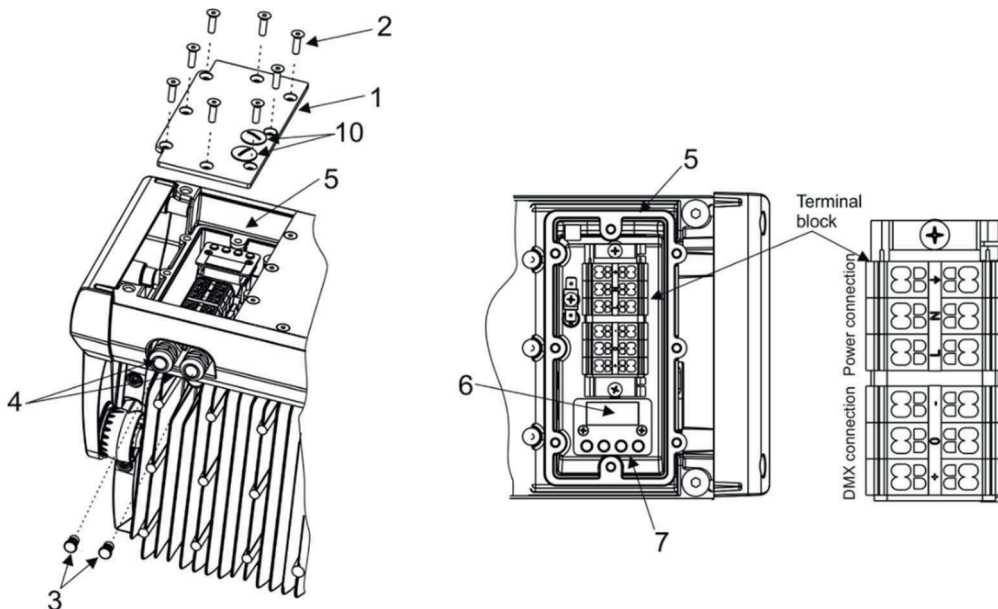


Connection:

Rear connection shown

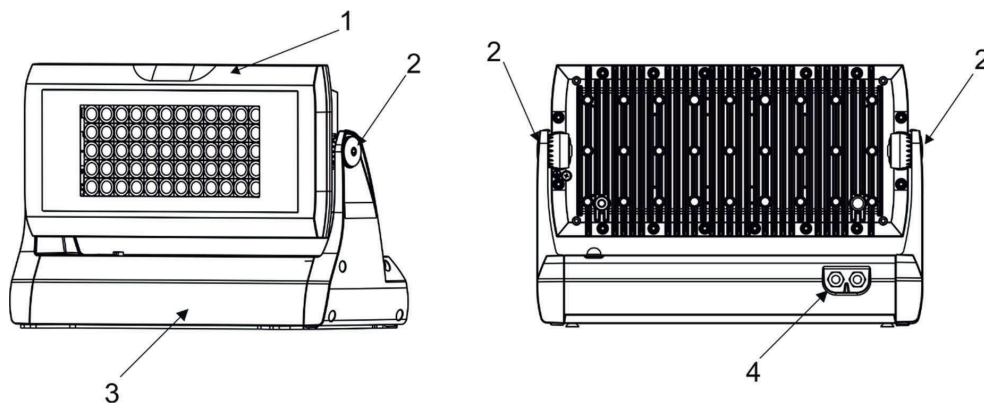


Side connection shown

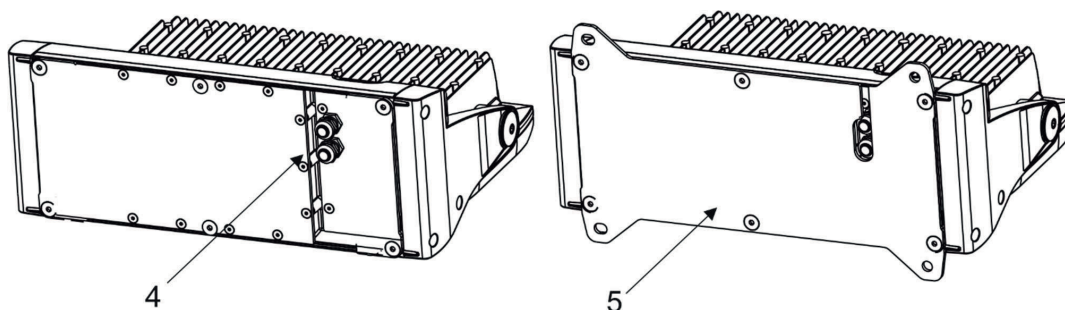


Labels:

Side connection shown



Rear connection shown



1. Head with LED array
2. Tilt lock
3. Base
4. Cable glands or blind flange
5. Surface mounting adapter

Note: customer can interchange the cable glands and blind flanges in the fixture base to create a side or rear connection.

Safety:

THIS LUMINAIRE IS DESIGNED WITH UV LEDS AND MUST BE INSTALLED IN COMPLIANCE WITH COMPOTENT TECHNICAL DIRECTIONS TO PREVENT THE USER'S EYE AND BARE SKIN FROM EXPOSURE TO HARMFUL UV RADIATION.

CE LUMINAIRE EST CONCU POUR ETRE UTILISE AVEC DES LED UV ET DOIT ETRE INSTALLE EN STRICTE CONFORMITE AVEC LES INSTRUCTIONS AFIN D'EVITER QUE LES YEUX OU LA PEAU L'UTILISATEUR NE SOIENT EXPOSES AUX EFFETS NEFASTES DES RAYONS UV.

⚠ CAUTION ⚠ ATTENTION ⚠
RISK GROUP 3 RISQUE GROUPE 3

UV light
Do not look directly at light.
Wear proper eye and skin protection.

CAUTION: Radiation exposure may cause blindness and cancer of skin!

Maximum exposure (beam angle 11°)		
Distance from UV source	Fixture with clear glass	Fixture with black glass
6m (19.7ft)	-	16 minutes
7m (23ft)	-	22 minutes
8m (26ft)	19 minutes	29 minutes
9m (29.5ft)	25 minutes	37 minutes
10m (32.8ft)	31 minutes	46 minutes

Maximum exposure (beam angle 38°)		
Distance from UV source	Fixture with clear glass	Fixture with black glass
3.5m (11.4ft)	-	18 minutes
4m (13)	-	23 minutes
5m (16.4ft)	24 minutes	37 minutes
6m (19.7ft)	35 minutes	53 minutes
7m (23ft)	48 minutes	73 minutes
8m (26ft)	63 minutes	95 minutes
9m (29.5ft)	80 minutes	120 minutes
10m (32.8ft)	98 minutes	149 minutes

Please read extracts from a test report at the end of the user manual.

Risk Group 3 LED product according to ČSN EN 62471.