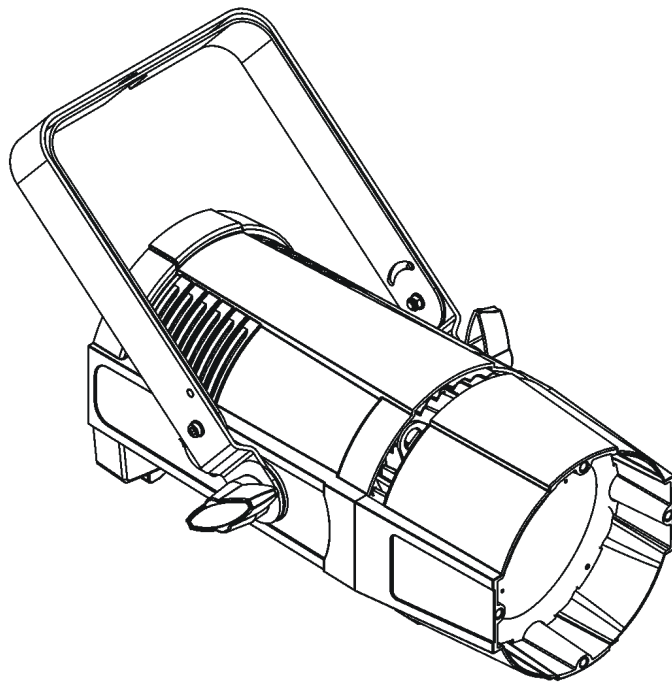




ArcPar SB1



USER MANUAL

Version 1.1 US

Anolis ArcPar SB1

Table of contents

1. Safety instructions	3
2. Fixture exterior view	5
3. Installation	6
3.1 Connection to the mains	6
3.2 Installing barndoors and the gel frame	7
3.3 Rigging the fixture	9
4. Adjusting a light intensity	10
5. Technical Specifications	11
6. Maintenance and cleaning	13
6.1 Replacing the fuse	14
6.2 Disposing of the product	14
7. Photometric diagram	14

**FOR YOUR OWN SAFETY, PLEASE READ THIS USER MANUAL CAREFULLY
BEFORE POWERING OR INSTALLING YOUR Anolis ArcPar SB1 !**

Save it for future reference.

This device has left our premises in absolutely perfect condition. In order to maintain this condition and to ensure a safe operation, it is absolutely necessary for the user to follow the safety instructions and warning notes written in this manual.

The manufacturer will not accept liability for any resulting damages caused by the non-observance of this manual or any unauthorized modification to the device.

Please consider that damages caused by manual modifications to the device are not subject to warranty.

The Anolis ArcPar SB1 was designed for indoor use and it is intended for professional application only. It is not for household use.

1. Safety instructions

DANGEROUS VOLTAGE CONSTITUTING A RISK OF ELECTRIC SHOCK IS PRESENT WITHIN THIS UNIT!

Make sure that the available voltage is not higher than stated on the rear panel of the fixture. This fixture should be operated only from the type of power source indicated on the marking label. If you are not sure of the type of power supplied, consult your authorized distributor or local power company.

WARNING! This unit does not contain an ON/OFF switch. Always disconnect power input cable to completely remove power from unit when not in use or before cleaning or servicing the fixture.

The power plug has to be accessible after installing the fixture. Do not overload wall outlets and extension cords as this can result in fire or electric shock.

Do not allow anything to rest on the power cord. Do not locate this fixture where the cord may be damaged by persons walking on it.

Make sure that the power cord is never crimped or damaged by sharp edges. Check the fixture and the power cord from time to time.

Refer servicing to qualified service personnel.

This fixture falls under protection class I. Therefore this fixture has to be connected to a mains socket outlet with a protective earthing connection.

Do not connect this fixture to a dimmer pack.

**Warning! Risk Group 2 LED product according to EN 62471
LED light emission. Risk of eye injury. Do not look into the beam at a short distance from the front surface of the product. Do not view the light output with optical instruments or any device that may concentrate the beam.**

If the fixture has been exposed to drastic temperature fluctuation (e.g. after transportation), do not switch it on immediately. The arising condensation water might damage your device. Leave the device switched off until it has reached room temperature.

Do not shake the fixture. Avoid brute force when installing or operating the fixture.

This fixture was designed for indoor use only, do not expose this unit to rain or use near water.

This device is for professional use only. It is not for household use.

When choosing the installation spot, please make sure that the fixture is not exposed to extreme heat, moisture or dust.

Air vents and slots in the fixture's head and base are provided for ventilation, to ensure reliable operation of the device and to protect it from overheating.

Do not block the LED array with any object when the fixture is under operation.

The openings should never be covered with cloth or other materials, and never must be blocked.

This fixture should not be placed in a built-in installation unless proper ventilation is provided.

Only operate the fixture after having checked that the housing is firmly closed and all screws are tightly fastened.

Always use a secondary safety cable when mounting this fixture.

Make sure that the area below the installation place is blocked when rigging, derigging or servicing the fixture.

The fixture becomes very hot during operation. Allow the fixture to cool approximately 20 minutes prior to manipulate with it.

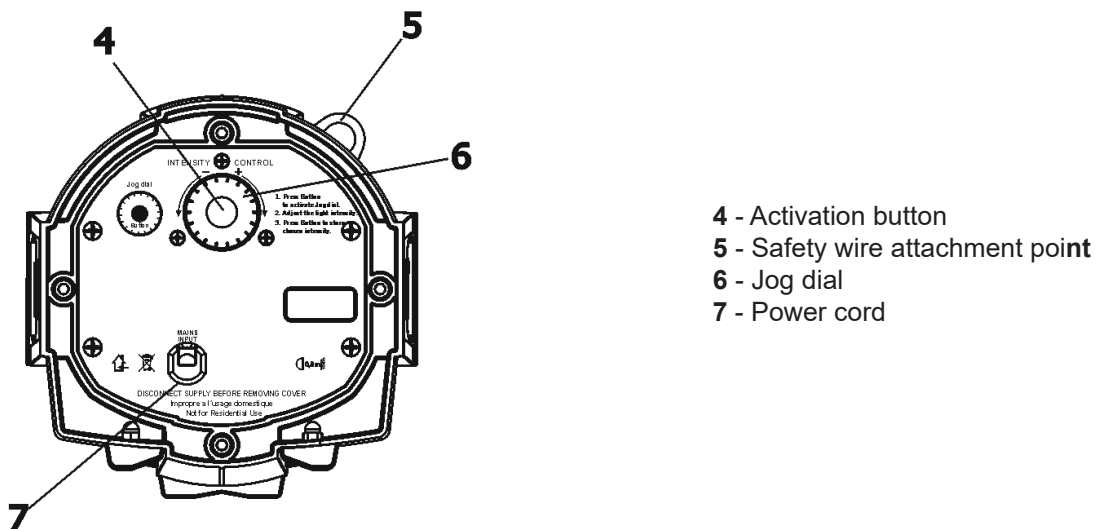
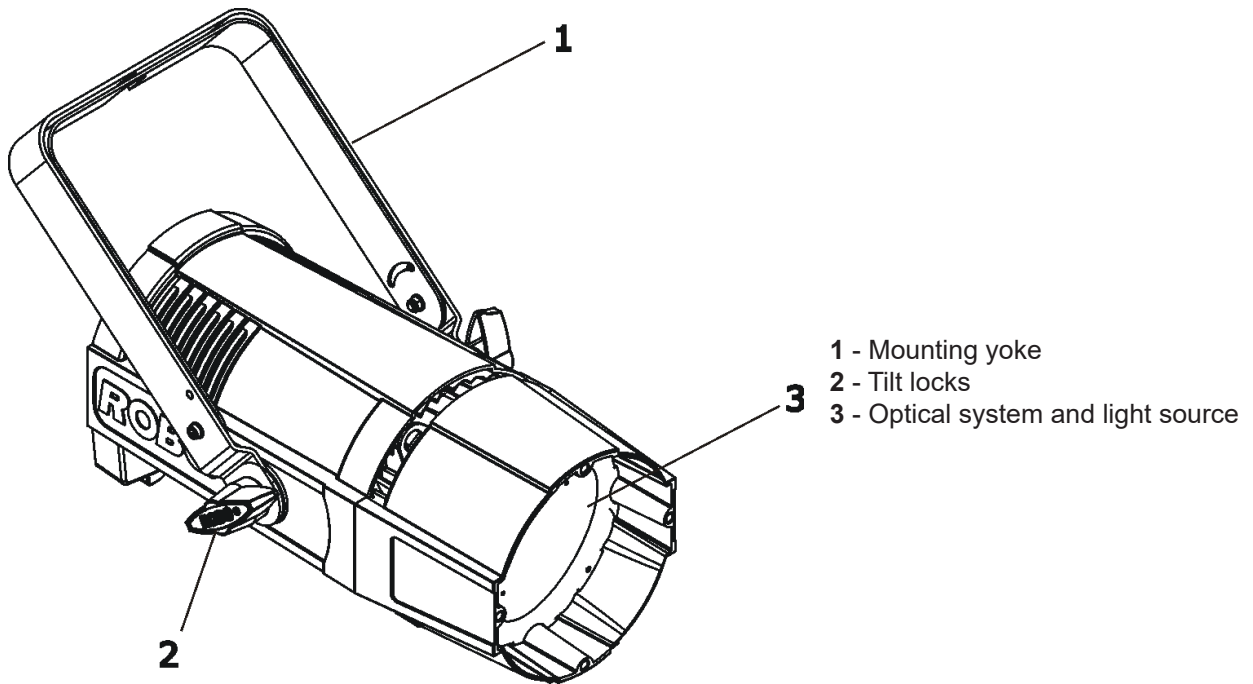
Operate the fixture only after having familiarized with its functions. Do not permit operation by persons not qualified for operating the fixture. Most damages are the result of unprofessional operation!

Please use the original packaging if the fixture is to be transported.

Please consider that unauthorized modifications on the fixture are forbidden due to safety reasons!

If this device will be operated in any way different to the one described in this manual, the product may suffer damages and the guarantee becomes void. Furthermore, any other operation may lead to dangers like short-circuit, burns, electric shock, crash etc.

2. Fixture exterior view



3. Installation



Fixtures must be installed by a Qualified electrician in accordance with all national and local electrical and construction codes and regulation.

3.1 Connection to the mains

For protection from electric shock, the fixture must be earthed!

The ArcPar SB1 is equipped with auto-switching power supply that automatically adjusts to any 50-60Hz AC power source from 100-277 Volts.

Connect the ArcPar SB1 directly to AC power. Do not connect it to a dimmer system - you may damage the fixture.

The cores in the power cord are coloured according to the following table. The earth has to be connected! If you have any doubts about proper installation, consult a qualified electrician.

Core (EU)	Core (US)	Connection	Plug Terminal Marking
Brown	Black	Live	L
Light blue	White	Neutral	N
Yellow/Green	Green	Earth	

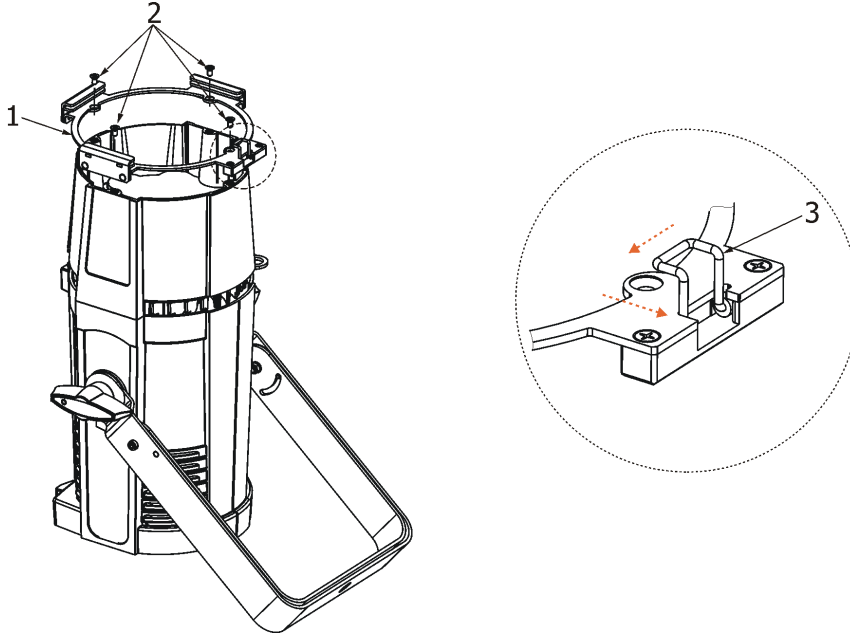
This device falls under class one and must be earthed (grounded)!

3.2 Installing barndoors and the gel frame

Disconnect the fixture from mains before barndoors and the gel frame installation

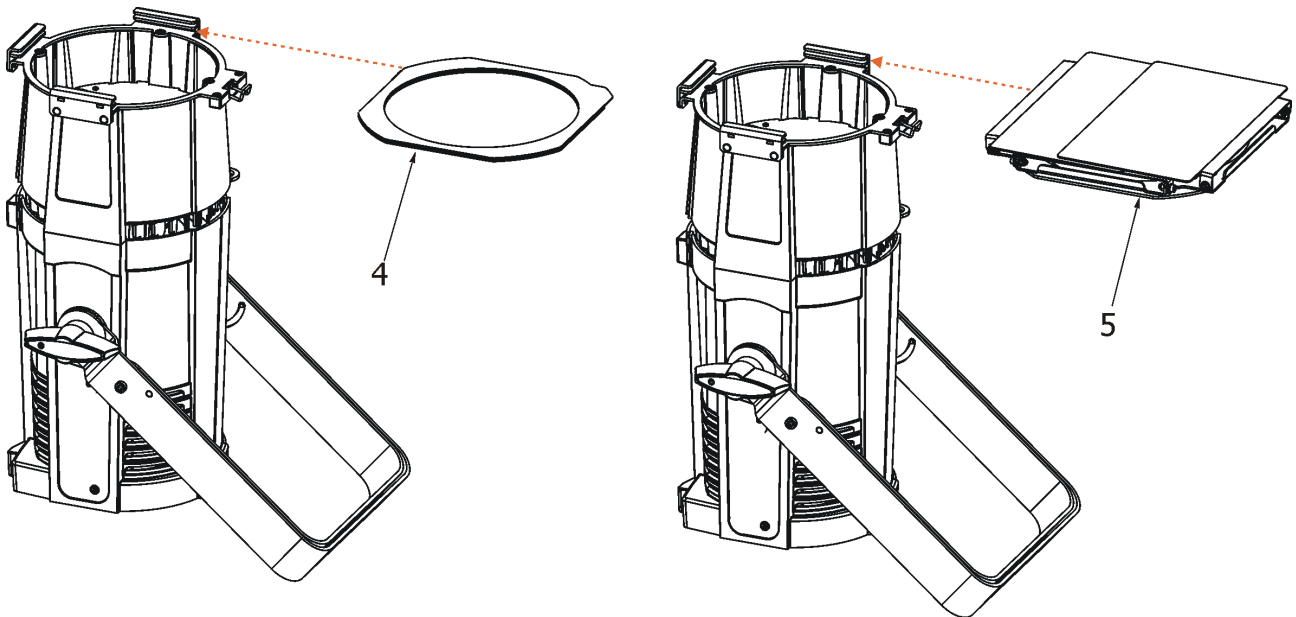
1. Disconnect the fixture from mains.

2. Screw the accessory frame adaptor (1) on the ArcPar SB1 housing with the four screws M4x8 (2) and unlock the spring lock (3) via pushing this spring lock as show red arrows on the picture.

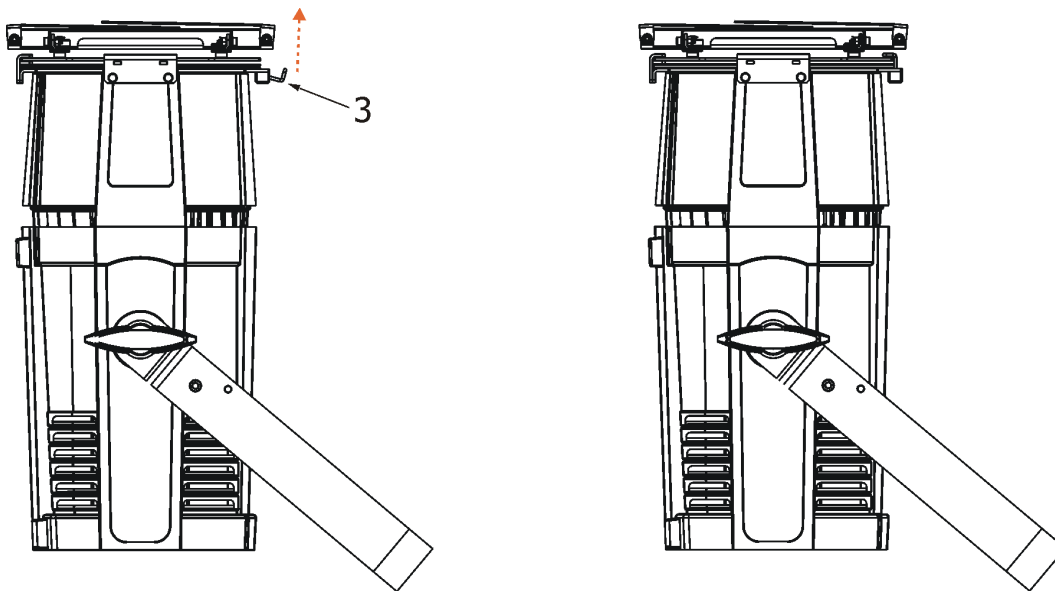


3. Insert the gel frame (4) into the bottom slots of the accessory frame adaptor (1).

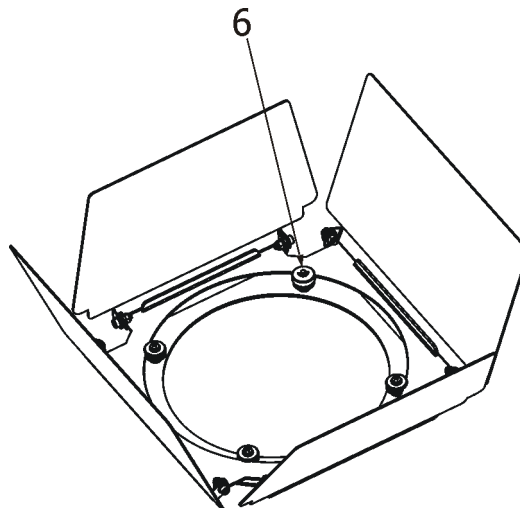
4. Insert the barndoors (5) into the top slots of the accessory frame adaptor (1).



5. Secure both accessories by moving the spring lock (3) up as shows the red arrow on the picture.



Note: the barndoors can be rotated to desired position and secured in this position via the securing screw (6).



3.3 Rigging the fixture

A structure intended for installation of the fixture (s) must safely hold weight of the fixture(s) placed on it. The structure has to be certificated to the purpose.

The fixture (fixtures) must be installed in accordance with national and local electrical and construction codes and regulation.

For overhead installation, the fixture must be always secured with a safety wire that can bear at least 10 times the wight of the fixture

When rigging, derigging or servicing the fixture staying in the area below the installation place, on bridges, under high working places and other endangered areas is forbidden.

The operator has to make sure that safety-relating and machine-technical installations are approved by an expert before taking into operation for the first time and after changes before taking into operation another time.

The operator has to make sure that safety-relating and machine-technical installations are approved by a skilled person once a year.

Allow the fixture to cool for ten minutes before handling.

The projector should be installed outside areas where persons may walk by or be seated.

IMPORTANT! OVERHEAD RIGGING REQUIRES EXTENSIVE EXPERIENCE, including calculating working load limits, installation material being used, and periodic safety inspection of all installation material and the projector. If you lack these qualifications, do not attempt the installation yourself, but use a help of professional companies.

CAUTION: Fixtures may cause severe injuries when crashing down! If you have doubts concerning the safety of a possible installation, do not install the fixture!

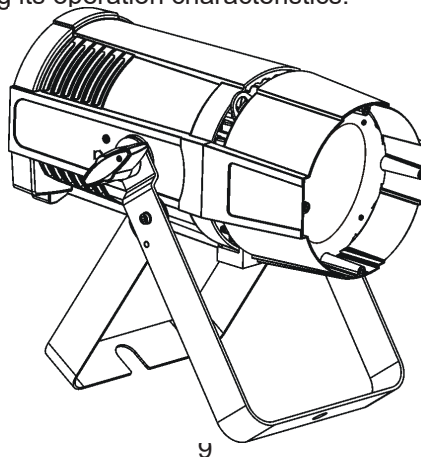
The fixture has to be installed out of the reach of public.

The fixture must never be fixed swinging freely in the room.

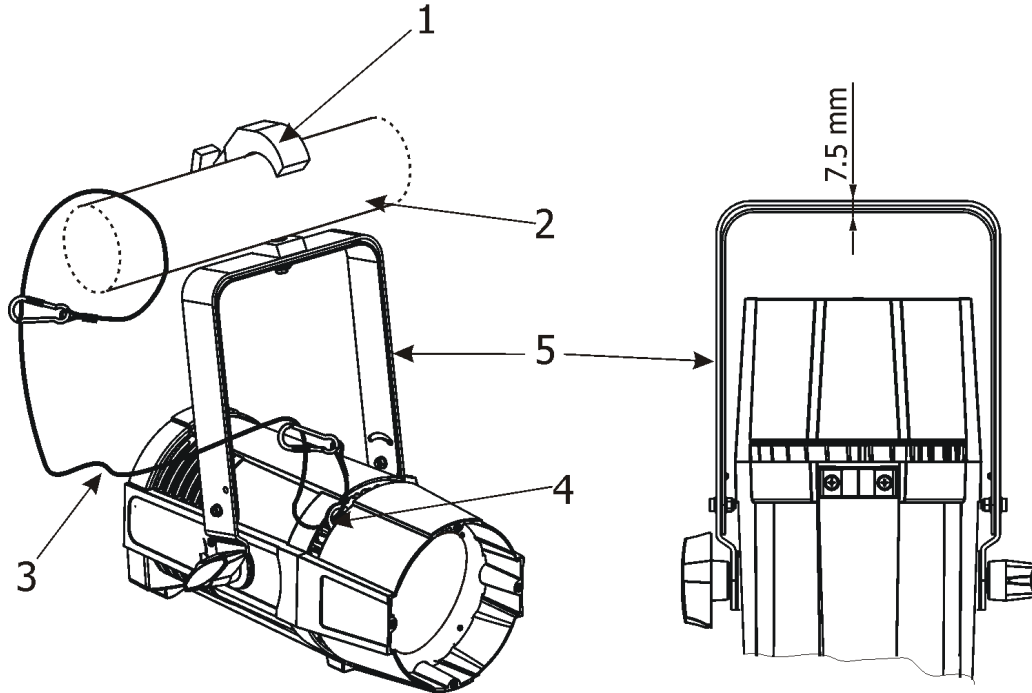
When installing the device, make sure there is no highly inflammable material (decoration articles, etc.) in a distance of min. 0.4 m.

CAUTION!
Use an appropriate clamp to rig the fixture on the truss.
Make sure that the device is fixed properly! Ensure that the structure (truss) to which you are attaching the fixtures is secure.

The fixture can be placed by means of the unfolded mounting yoke on the stage floor or rigged on a truss (with folded mounting yoke) without altering its operation characteristics.



For overhead installation, install a safety wire that can hold at least 10 times the weight of the fixture. Use only a safety wire with a snap hook with screw lock gate. **Fasten the safety wire in the attachment point and around the truss as shown on the picture below.**

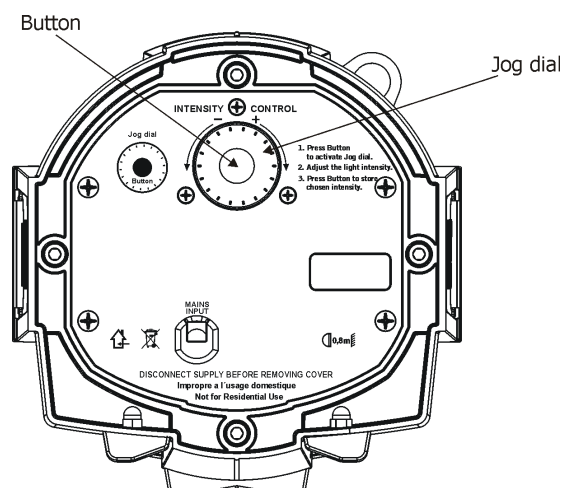


- 1-Clamp
- 2-Truss
- 3-Safety wire
- 4-Attachment point
- 5-Mounting yoke

When installing fixtures side-by-side, avoid illuminating one fixture with another!

4. Adjusting the light intensity

1. Connect the fixture to mains.
2. Press the Button to activate the Jog dial.
3. Adjust desired light intensity by means of the Jog dial.
4. Press the Button to store the chosen light intensity. Short blink signalizes storing intensity.
If you do not press this button, the light output goes to the previous (saved) intensity after cca 4 sec.
5. Adjusted light intensity is permanently stored in the fixture (after switching the fixture on, the fixture keeps adjusted light intensity).



5. Technical Specifications

Electrical

Power supply:.....electronic auto-ranging
Input voltage range:..... 100-277V, 50-60Hz

Max. power consumption :.....150W@230V (I=0.65A, power factor=0.94)

Optic

Light source: LED COB

Min LED life expectancy: 20.000 hours

Beam angle: 12°, 23° (optional diffuser 28° included)

Colour temperature: 2.700 K, 3.000K, 4.000K or 6.000 K

CRI: 96 (2700K), 93 (3000K), 80 (4000K), 82 (6000K)

Dimmer

Manual dimmer from 0 - 100 %

Power connection

3-cored cable with plug

Rigging

Mounting horizontally or vertically via mounting yoke (360° tilt range)

Temperatures

Maximum ambient temperature : 40° C

Maximum surface temperature : 80° C (at LEDs heat sink)

Distances

Min. distance from flammable surfaces: 0.4 m

Min. distance to lighted object: 0.8 m

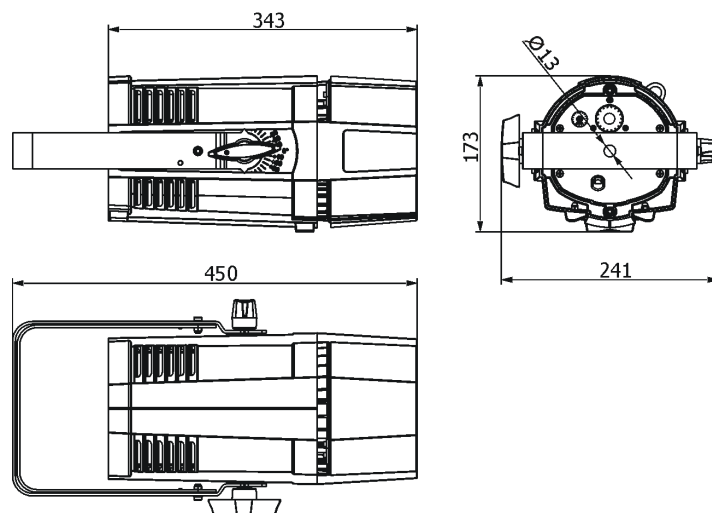
Total heat dissipation

680 BTU/h (calculated)

Weight (net):

4.5 kg

Dimensions (mm)



Accessories*

- (P/N 1098 0242) Diffuser 28° for Robin Perfect S1/H1
- (P/N 10980193) Accessory frame adaptor black
- (P/N 10980205) Accessory frame adaptor white
- (P/N 10980204) Gel Frame black
- (P/N 10980207) Gel Frame white
- (P/N 10980237) Barndoor for Perfect S1 black (barndoor with aperture 90x90 mm)
- (P/N 10980241) Barndoor for Perfect S1 white (barndoor with aperture 90x90 mm)
- (P/N 13050238) Power cord

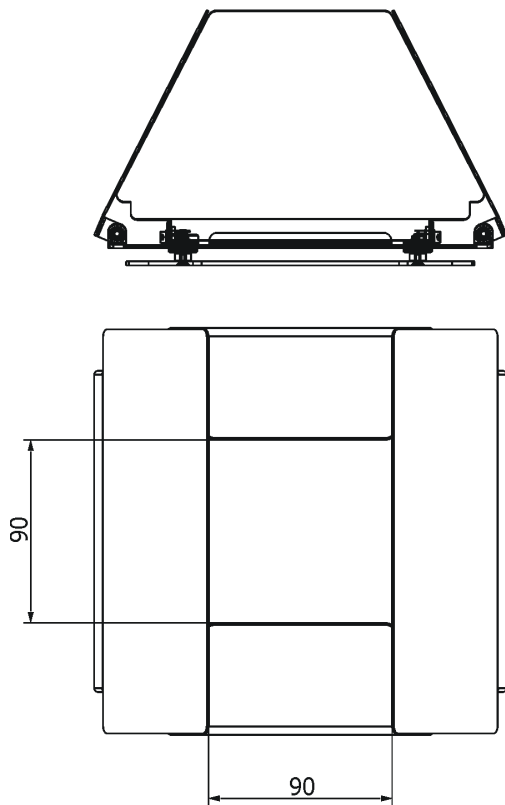
* Colour of accessories depends on colour of fixture. Only one colour of accessories is supplied with fixture.

Optional accessories

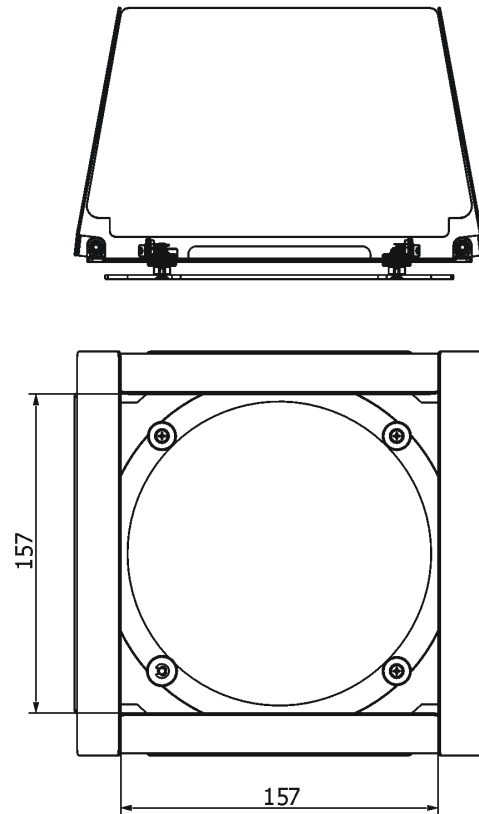
- (P/N 10980206) Barndoor for Perfect 100 white (barndoor with aperture 157x157 mm)
- (P/N 10980189) Barndoor for Perfect 100 black (barndoor with aperture 157x157 mm)
- (P/N 1098 0243) Diffuser 40° for Robin Perfect S1/H1
- (P/N 1098 0244) Diffuser 50° for Robin Perfect S1/H1
- (P/N 1098 0245) Diffuser 62°x 46° for Robin Perfect S1/H1
- (P/N 1098 0246) Diffuser 70°x 48° for Robin Perfect S1/H1

Barndoors dimensions (min. apertures - square) in mm

Barndoor with aperture 90x90



Barndoor with aperture 157x157



6. Maintenance and cleaning

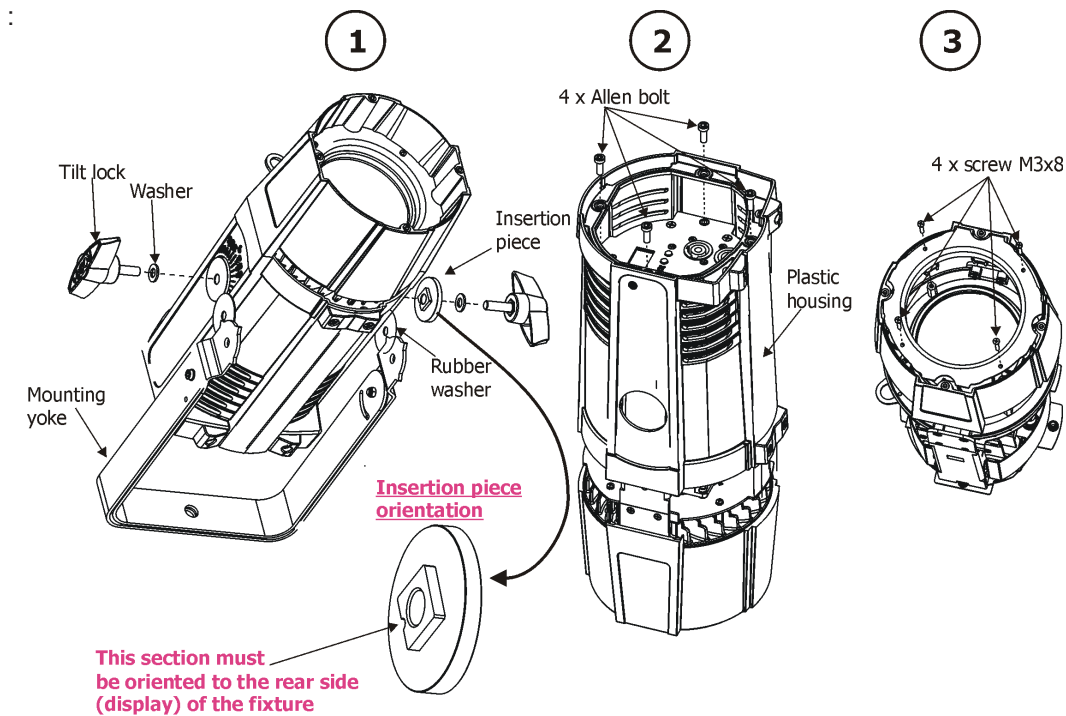
DANGER !

Disconnect from the mains and allow to cool completely before starting any maintenance work

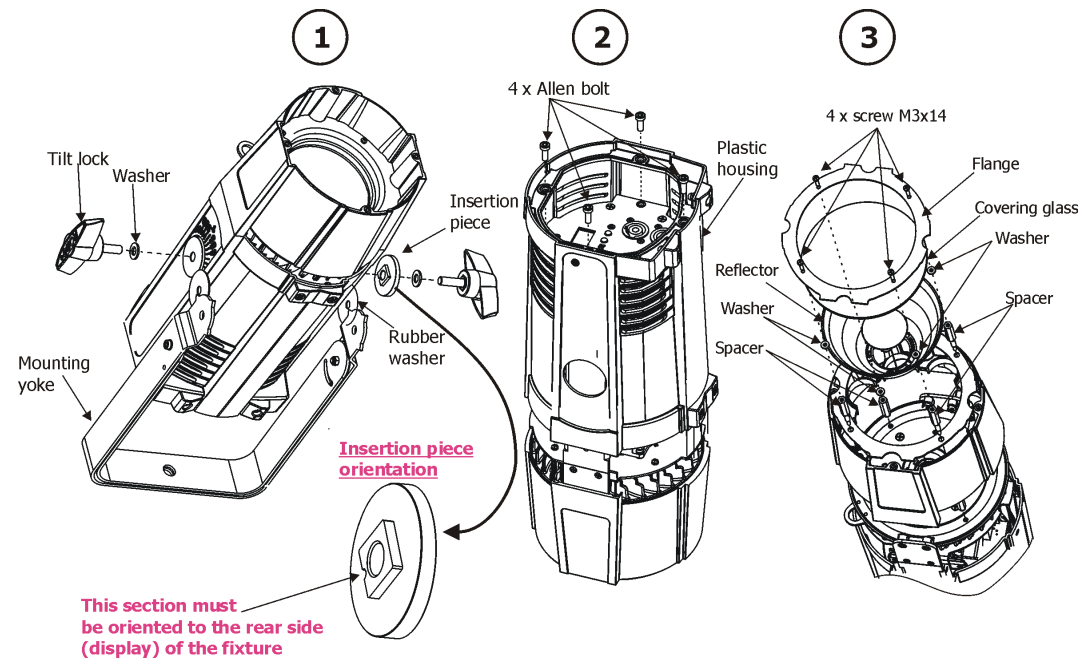
A soft lint-free cloth moistened with any good glass cleaning fluid is recommended, under no circumstances should alcohol or solvents be used!

It is absolutely essential that the fixture is kept clean and that dust, dirt and smoke-fluid residues must not build up on or within the fixture. Otherwise, the fixture's light-output will be significantly reduced. Regular cleaning will not only ensure the maximum light output, but will also allow the fixture to function reliably throughout its life. Front transparent cover may require monthly cleaning as smoke-fluid tends to building up residues, reducing the light-output very quickly. The cooling fan should be cleaned according to the situation (at least annually).

The interior of the base should be cleaned at least annually using a vacuum-cleaner or an air-jet. More complicated maintenance and service operations are only to be carried out by authorized distributors. Disassembly of the ArcPar S1 23°:



Disassembly of the ArcPar S1 12°:



Important: The correct order of parts at the mounting yoke assembly is: insertion piece+rubber washer+yoke+metal washer+tilt lock (on both sides of the device). The correct orientation of the insertion piece must be kept.

6.1 Replacing the fuse

Replacing of the fuse has to be carried out by authorized person only, as the fuse is located on a control PCB inside the fixture.

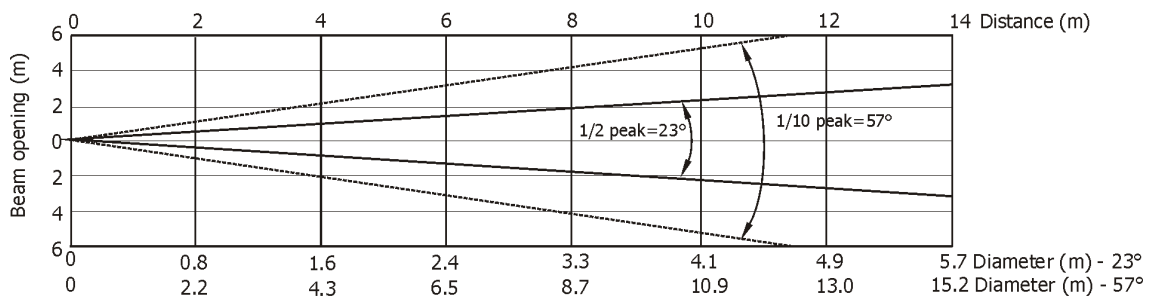
Before replacing the fuse, disconnect the fixture from mains!

6.2 Disposing of the product

To preserve the environment please dispose or recycle this product at the end of its life according to the local regulations and codes.

7. Photometric diagram

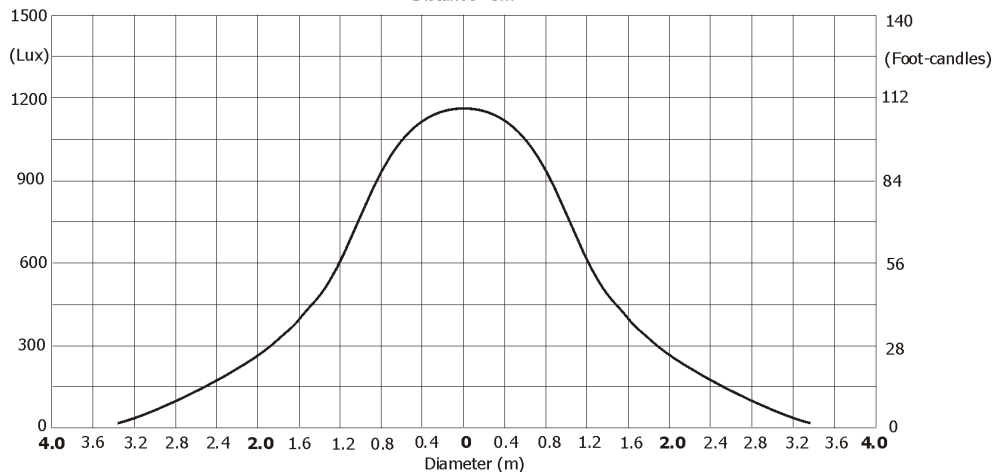
**Beam angle 23°, colour temperature: 6000K
Without diffuser**



Distance (m)	2	4	5	6	8	10	12	14	
White 6000K	7375/685	1844/171	1180/110	819/76	461/43	295/27	205/19	150/14	Intensity (center) Lux/Footcandles

Illuminance distribution

Distance=5m



*Specifications are subject to change without notice.
November 21, 2016*

