

# User instructions

## ArcLine Double Outdoor Optic 12/24/32/36/48/72

The products generate colored light by means of red, green and blue LEDs. The products were designed for exterior use and they are ideal for locations where effect lighting with long lifetime is required.

### 1. Attention

**Consider the respective national norms during the installation!**

Do not install the unit near naked flames.

Avoid using the unit in locations subject to possible impacts.

Do not attempt to dismantle or modify the unit.

Avoid looking directly into the LED light beam at close range.

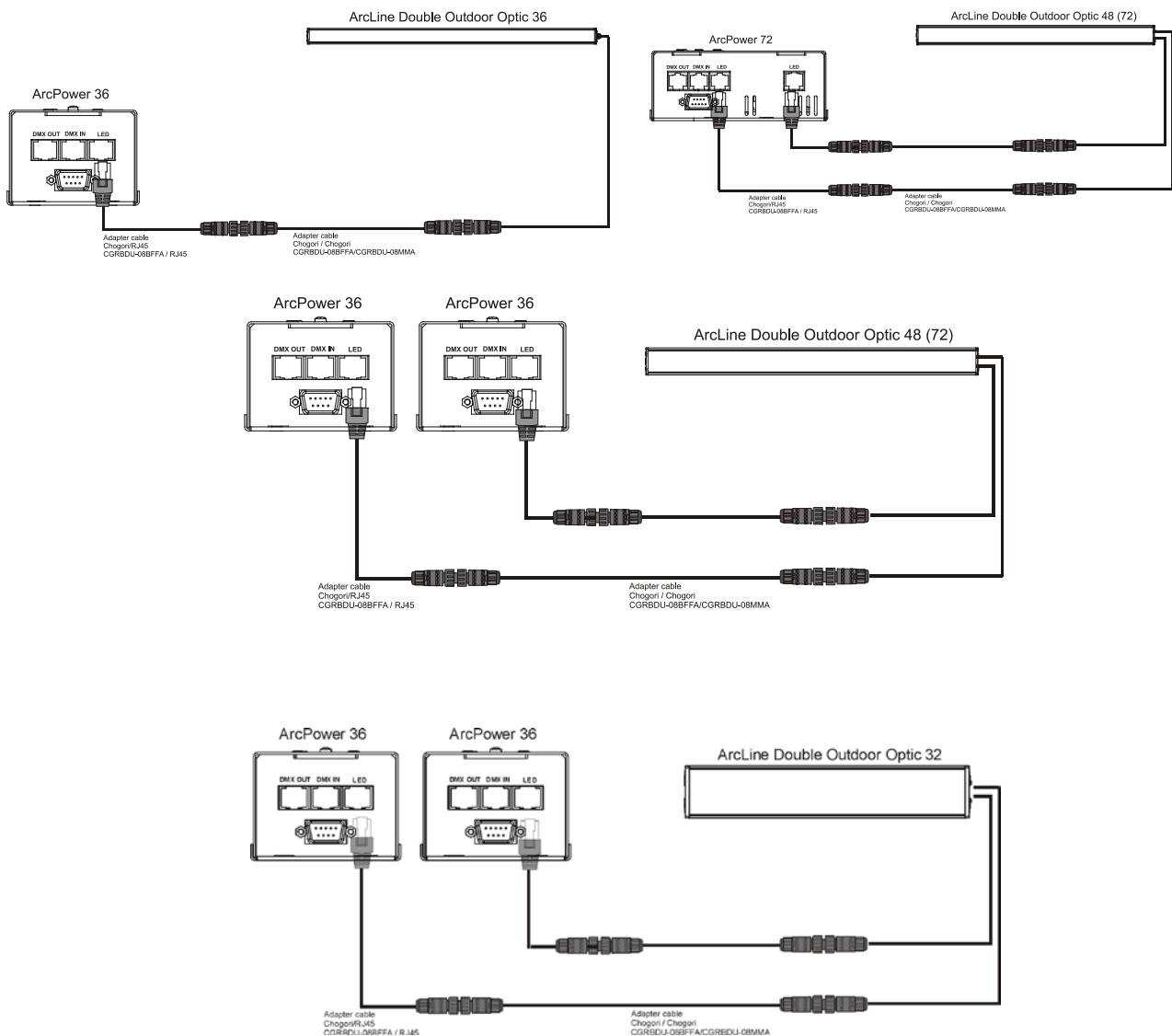
Do not install the module in badly ventilated location

### 2. Installation

The ArcLine Double Outdoor unit should be connected to the ArcPower drivers according to the colours variants (RGB, single colour, SW).

See the ArcPower 36 (ArcPower 72/144/360/384 Rack Mount) (or their SmartWhite variants) user manuals for full details of mains power requirements and DMX operation.

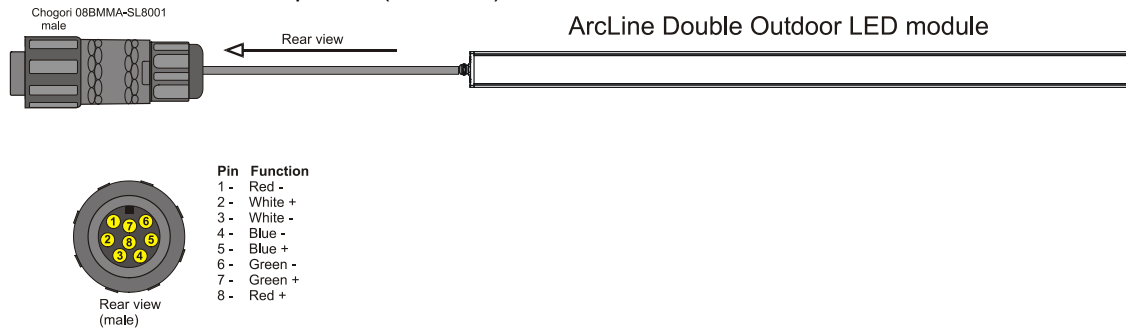
Examples of wiring:



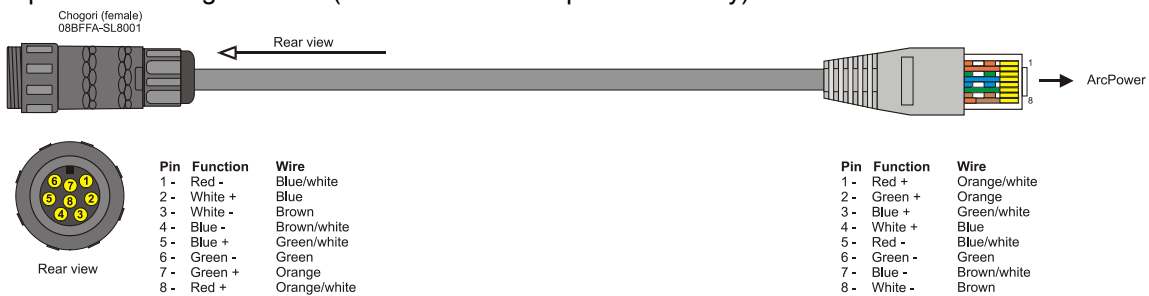
The ArcLine Double Outdoor unit can be arranged in any position orientation. Spotlight body is mounted on a steel “U” bracket for “tilt” adjustment, with fixings which can be locked in position to retain the focus of the unit beam.

### Connections:

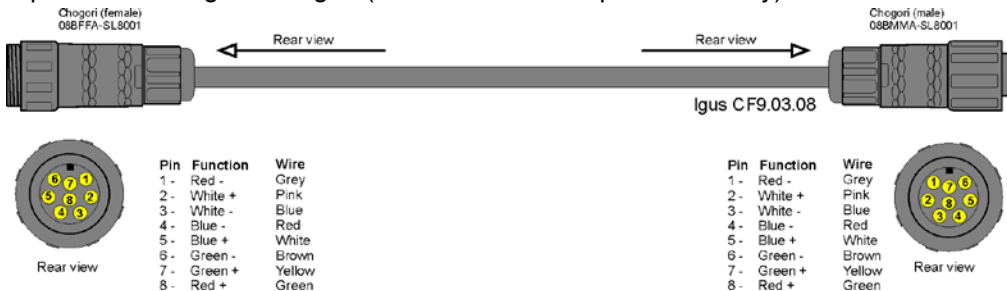
#### 1. ArcLine Double Outdoor Optic 12 (24/48/72)



#### 2. Adapter cable Chogori -RJ45 (it is not a standard part of delivery)



#### 3. Adapter cable Chogori -Chogori (it is not a standard part of delivery)



In contrast to the ArcLine Double Outdoor Optic 12/24/36 the ArcLine Double Outdoor Optic 32/48/72 consists of two LEDs lines with separate power/data cables for connection to the ArcPower units. Only one LEDs line is possible to connect to the ArcPower 36 (or to the one LED output of the ArcPower 72/144/360/384 Rack Mount ).On this account the ArcLine Double Outdoor Optic 32/48/72 needs two ArcPower 36 drivers (or two LED outputs of the ArcPower 72 / ArcPower 144/ArcPower 360/ ArcPower 384 Rack Mount) for control.

Note: There is an exception for the Arcline Double Outdoor Optic 32, although has two separate power/data cables, can be connected to the ArcPower 36 (or to one LED output of the ArcPower 72/144/360/384 Rack Mount ) by means of the splitter but in this case you will not be able to control each line independently.

### 3. Technical specifications

	<u>ArcLine Double Outdoor Optic 36</u>	<u>ArcLine Double Outdoor Optic 48</u>	<u>ArcLine Double Outdoor Optic 72</u>
Max. Input Current per Colour	350 mA	350 mA	350 mA
Total Max. Power Consumption:	40.8 Watts	54.4 Watts(27.2 Watts per line)	81.6 W (40.8 Watts per line)
Number of LEDs:	2x18	2x24	2x36
Compatible Power Supplies*:	ArcPower 36/72/144/360/384	2xArcPower 36, 1x ArcPower 72/144/360/384	2xArcPower 36, 1x ArcPower 72/144/360/384
Operating Ambient Temp.Range:	-20°C/+40°C	-20°C/+40°C	-20°C/+40°C
Cooling System:	convection	convection	convection
Optical Systems Available (RGB,RGBW, single c.):	13°,21°, 26°,28, 47°x12°	13°,21°, 26°,28, 47°x12°	13°,21°, 26°,28, 47°x12°
(WW,CW,SW):	16°, 25°, 28°,30°,45°x18°	16°, 25°, 28°,30°,45°x18°	16°, 25°, 28°,30°,45°x18°
LED Device:	ProLight Opto Proeon	ProLight Opto Proeon	ProLight Opto Proeon
Typical Lumen Maintenance:	70%@ 50,000 hours	70%@ 50,000 hours	70%@ 50,000 hours
Led Life Expectancy:	minimum 50,000 hours	minimum 50,000 hours	minimum 50,000
Construction:body	precision extruded alluminium	precision extruded alluminium	precision extruded alluminium
“U” holder	zincing steel	zincing steel	zincing steel
Transparent cover:	tempered glass	tempered glass	tempered glass

**ArcLine Double Outdoor Optic 36 ArcLine Double Outdoor Optic 48**

**ArcLine Double Outdoor Optic 72**

Weight:	4.6 kg	5.8 kg	8.5 kg
Ingress Protection:	IP 65	IP 65	IP 65
Flammability:	94HB flame class rating	94HB flame class rating	94HB flame class rating
Power /Data plug:	Chogori 08BMMA-SL8001	Chogori 08BMMA-SL8001	Chogori 08BMMA-SL8001
Power /Data cable type:	LiYY 8xAWG22 UL Style 2517/CSA O.D. 6,70mm ( for all variants)		
LED Colour Variants**	RGB,R,G,B,A,WW,CW	RGB,R,G,B,A,WW,CW,SW	RGB,R,G,B,A,WW,CW,SW

**ArcLine Double Outdoor Optic 12 ArcLine Double Outdoor Optic 24**

**ArcLine Double Outdoor Optic 32**

Max. Input Current per Colour	350 mA	350 mA	350 mA
Total Max. Power Consumption:	13.6 Watts	27.2 Watts	36 Watts
Number of LEDs:	2x6	2x12	2x16
Compatible Power Supplies*:	ArcPower 36/72/144/360/384	ArcPower 36/72/144/360/384	ArcPower 36/72/144/360/384
Operating Ambient Temp.Range:	-20°C/+40°C	-20°C/+40°C	-20°C/+40°C
Cooling System:	convection	convection	convection
Optical Systems Available (RGB,RGBW, single c.):	13°,21°, 26°,28, 47°x12°	13°,21°, 26°,28, 47°x12°	13°,21°, 26°,28, 47°x12°
(WW,CW,SW):	16°, 25°, 28°,30°,45°x18°	16°, 25°, 28°,30°,45°x18°	16°, 25°, 28°,30°,45°x18°
LED Device:	ProLight Opto Proeon	ProLight Opto Proeon	ProLight Opto Proeon
Typical Lumen Maintenance:	70%@ 50,000 hours	70%@ 50,000 hours	70%@ 50,000 hours
Led Life Expectancy:	minimum 50,000 hours	minimum 50,000 hours	minimum 50,000 hours
Construction:body	precision extruded alluminium	precision extruded alluminium	precision extruded alluminium
“U” holder	zincing steel	zincing steel	zincing steel
Transparent cover:	tempered glass	tempered glass	tempered glass
Weight:	1.82 kg	3.21 kg	4.2 kg
Ingress Protection:	IP 65	IP 65	IP 65
Flammability:	94HB flame class rating	94HB flame class rating	94HB flame class rating
Power /Data plug:	Chogori 08BMMA-SL8001	Chogori 08BMMA-SL8001	Chogori 08BMMA-SL8001
Power /Data cable type:	LiYY 8xAWG22 UL Style 2517/CSA O.D. 6,70mm (for all variants)		
LED Colour Variants**	RGB,R,G,B,A,WW,CW	RGB,R,G,B,A,WW,CW	RGBW

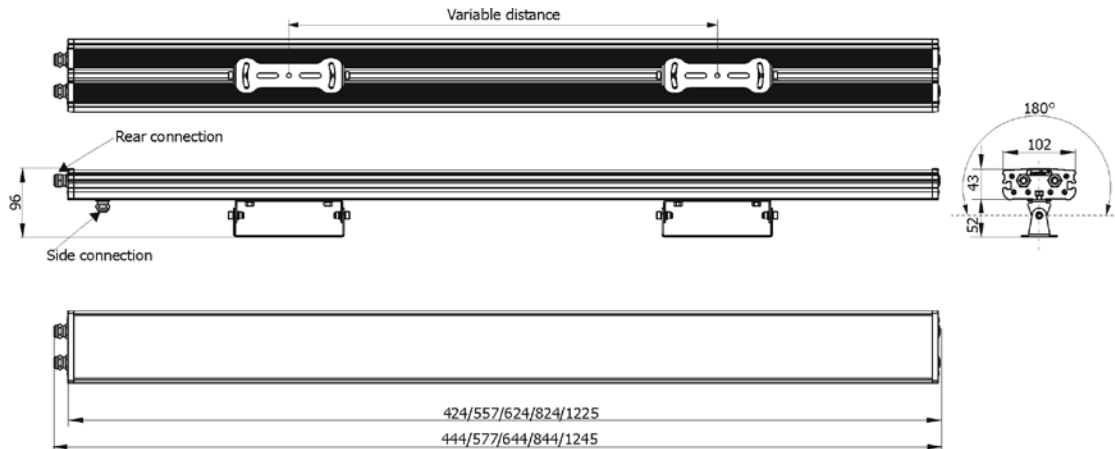
\* For single colour or SW modules are intended SmartWhite variants of the power supplies

\*\* RGB - red&green&blue;R- red;B-blue;G-green,A-Amber,CW-cool white;WW-warm white;SW-smart white;RAB-red&amber&blue, RGBW - red&green&blue&white

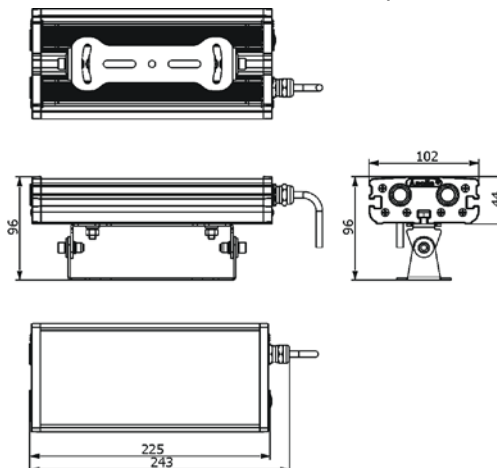
**Dimensions**

(All dimensions are in mm)

**ArcLine Double Outdoor Optic 24/36/48/72**



**ArcLine Double Outdoor Optic 12**



Version: 2.3

July 20, 2015

Specifications are subject to change without specification