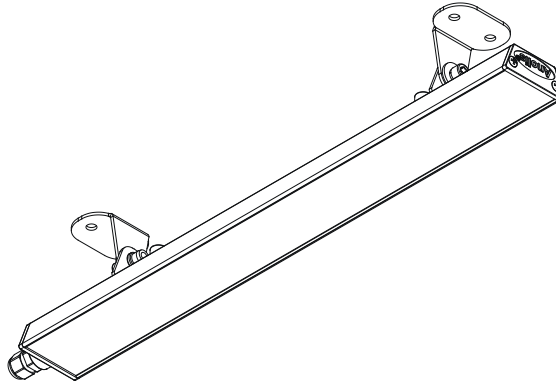


# User instructions

## ArcLine 12, ArcLine 18, ArcLine 24, ArcLine 36

The modules generate colored light by means of Luxeon LEDs. The products were designed to use with the ArcPower drivers and for indoor use only.



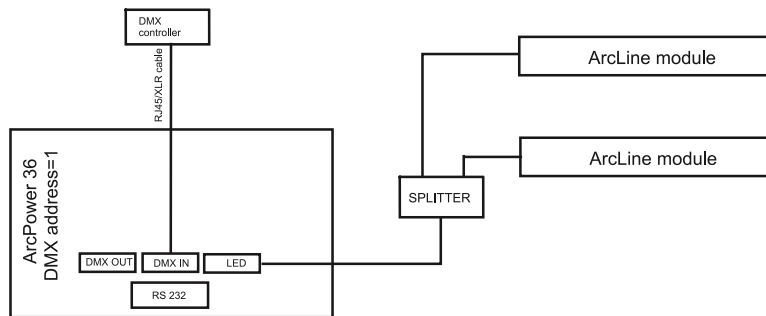
### 1. Attention

- Do not install the module near high inflammable liquids or materials
- Do not allow anything to rest on the module
- Do not use the module near high humidity or water or expose to the rain
- Do not install the module near the naked flames
- Do not install the module in dirty, dusty or badly ventilated location

### 2. Installation

The ArcLine Optic unit should be connected to the ArcPower driver according to the LEDs colour variants (RGB, WW, CW...).

See ArcPower 36, ArcPower 144 ( or ArcPower SmartWhite 36, ArcPower SmartWhite 144) user manuals for full details of mains power requirements and DMX operation.



ArcLine Optic units are supplied with 1.5 m of cable for direct connection to the ArcPower drivers.

**CAUTION!**  
Avoid looking directly into the LED light beam at close range!

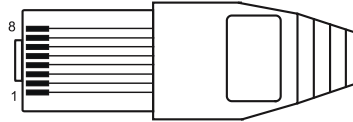
Maximum possible number of LED modules connected to the one ArcPower 36 (or one LED output of the ArcPower 144) is mentioned in the table below.

Module (colour variant)	Total LEDs	Red LEDs	Green LEDs	Blue LEDs	Amber LEDs	Cool white LEDs	Warm white LEDs	Max. number of connected modules	Compatible power supplies
ArcLine 12 RGB	12	4	4	4	-	-	-	3	ArcPower 36 ArcPower 144
ArcLine 12 CW	12	-	-	-	-	12	-	3	ArcPower SmartWhite 36 ArcPower SmartWhite 144
ArcLine 12 WW	12	-	-	-	-	-	12	3	ArcPower SmartWhite 36 ArcPower SmartWhite 144

Module (colour variant)	Total LEDs	Red LEDs	Green LEDs	Blue LEDs	Amber LEDs	Cool white LEDs	Warm white LEDs	Max.number of connected modules	Compatible power supplies
ArcLine 12 RGBCW	12	2	2	2	-	6		2	ArcPower 36 ArcPower 144
ArcLine 12 R	12	12	-	-	-	-	-	3	ArcPower SmartWhite 36 ArcPower SmartWhite 144
ArcLine 12 G	12	-	12	-	-	-	-	3	ArcPower SmartWhite 36 ArcPower SmartWhite 144
ArcLine 12 A	12	-	-	-	12	-	-	3	ArcPower SmartWhite 36 ArcPower SmartWhite 144
ArcLine 12 B	12	-	-	12	-	-	-	3	ArcPower SmartWhite 36 ArcPower SmartWhite 144
ArcLine 12 SW	12	-	-	-	-	6	6	3	ArcPower SmartWhite 36 ArcPower SmartWhite 144
ArcLine 18 RGB	18	6	6	6	-	-	-	2	ArcPower 36 ArcPower 144
ArcLine 18 CW	18	-	-	-	-	-	-	2	ArcPower SmartWhite 36 ArcPower SmartWhite 144
ArcLine 18 WW	18	-	-	-	-	-	18	2	ArcPower SmartWhite 36 ArcPower SmartWhite 144
ArcLine 18 R	18	18	-	-	-	-	-	2	ArcPower SmartWhite 36 ArcPower SmartWhite 144
ArcLine 18 G	18	-	18	-	-	-	-	2	ArcPower SmartWhite 36 ArcPower SmartWhite 144
ArcLine 18 A	18	-	-	-	18	-	-	2	ArcPower SmartWhite 36 ArcPower SmartWhite 144
ArcLine 18 B	18	-	-	18	-	-	-	2	ArcPower SmartWhite 36 ArcPower SmartWhite 144
ArcLine 24 RGB	24	8	8	8	-	-	-	1	ArcPower 36 ArcPower 144
ArcLine 24 CW	24	-	-	-	-	24	-	1	ArcPower SmartWhite 36 ArcPower SmartWhite 144
ArcLine 24 WW	24	-	-	-	-	-	24	1	ArcPower SmartWhite 36 ArcPower SmartWhite 144
ArcLine 24 R	24	24	-	-	-	-	-	1	ArcPower SmartWhite 36 ArcPower SmartWhite 144
ArcLine 24 G	24	-	24	-	-	-	-	1	ArcPower SmartWhite 36 ArcPower SmartWhite 144
ArcLine 24 A	24	-	-	-	24	-	-	1	ArcPower SmartWhite 36 ArcPower SmartWhite 144
ArcLine 24 B	24	-	-	24	-	-	-	1	ArcPower SmartWhite 36 ArcPower SmartWhite 144
ArcLine 24 SW	24	-	-	-	-	12	12	1	ArcPower SmartWhite 36 ArcPower SmartWhite 144
ArcLine 36 RGB	36	12	12	12	-	-	-	1	ArcPower 36 ArcPower 144
ArcLine 36 CW	36	-	-	-	-	36	-	1	ArcPower SmartWhite 36 ArcPower SmartWhite 144
ArcLine 36 WW	36	-	-	-	-	-	36	1	ArcPower SmartWhite 36 ArcPower SmartWhite 144
ArcLine 36 R	36	36	-	-	-	-	-	1	ArcPower SmartWhite 36 ArcPower SmartWhite 144
ArcLine 36 G	36	-	36	-	-	-	-	1	ArcPower SmartWhite 36 ArcPower SmartWhite 144
ArcLine 36 A	36	-	-	-	36	-	-	1	ArcPower SmartWhite 36 ArcPower SmartWhite 144
ArcLine 36 B	36	-	-	36	-	-	-	1	ArcPower SmartWhite 36 ArcPower SmartWhite 144
ArcLine 36 SW	36	-	-	-	-	18	18	1	ArcPower SmartWhite 36 ArcPower SmartWhite 144

### 3.RJ45 pin connection

RJ45 plug  
(View facing pins)



#### Colour variants

Pin	Colour of wire	RGB	Single colour	RGBCW	SW
1	white/orange	Red LED +	LED 1 +	Red LED +	Warm White LED 1 +
2	orange	Green LED +	LED 2 +	Green LED +	Cool White LED 1 +
3	white/green	Blue LED +	LED 3 +	Blue LED +	Warm White LED 2 +
4	blue	Not used	Not used	White LED +	Cool White LED 2 +
5	white blue	Red LED -	LED 1 -	Red LED -	Warm White LED 1 -
6	green	Green LED -	LED 2 -	Green LED -	Cool White LED 1 -
7	white/brown	Blue LED -	LED 3 -	Blue LED -	Warm White LED 2 -
8	brown	Not used	Not used	White LED -	Cool White LED 2 -

### 4. Technical specifications:

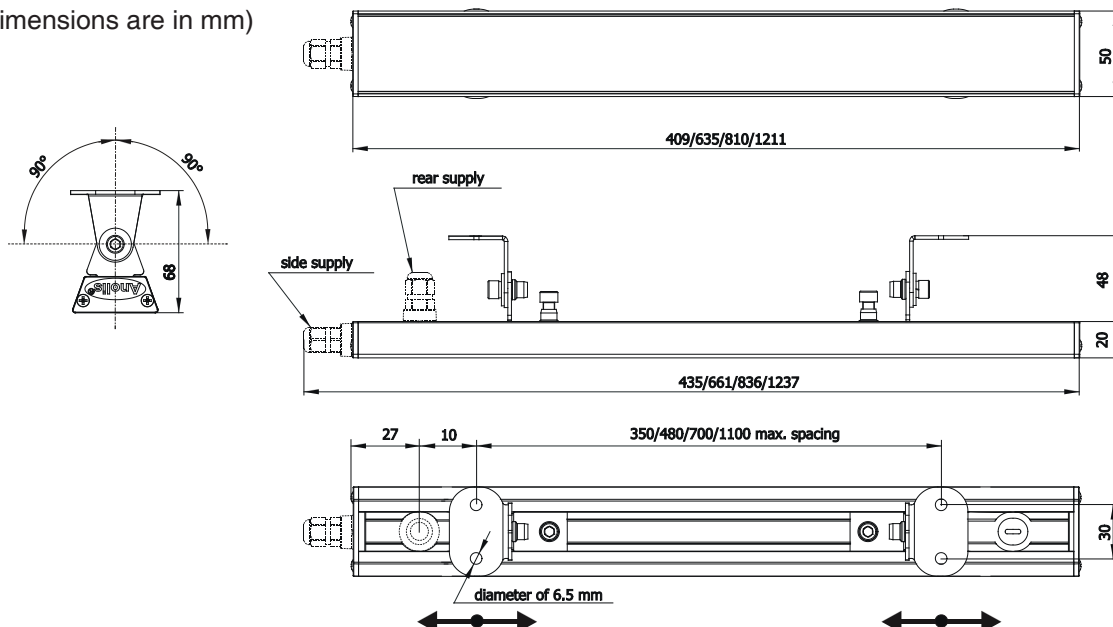
ArcLine	12	18	24	36
Max input current:	350 mA	350 mA	350 mA	350 mA
Maximum Power Consumption:	13.6 watts	20.4 watts	27.2 watts	40.8 watts
Compatible Power Supplies				
for RGB and RGBCW variants:	ArcPower 36,144	ArcPower 36,144	ArcPower 36,144	ArcPower 36,144
Compatible Power Supplies for				
and single colour and SW variants:	ArcPower SmartWhite 36,144	ArcPower SmartWhite 36,144	ArcPower SmartWhite 36,144	ArcPower SmartWhite 36,144
Operating Ambient Temp. Range:	-20°C/+40°C	-20°C/+40°C	-20°C/+40°C	-20°C/+40°C
Operating Temperature:	+50°C@ambient 25°C	+50°C@ambient 25°C	+50°C@ambient 25°C	+50°C@ambient 25°C
Cooling System:	convection	convection	convection	convection
Optical System:	170°	170°	170°	170°
LED Device:	1Watt Luxeon	1 Watt Luxeon	1 Watt Luxeon	1 Watt Luxeon
LED Colour Variants *:	RGB,R,G,B,A,CW,WW,SW,RGBCW	RGB,R,G,B,A,CW,WW	RGB,R,G,B,A,CW,WW,SW	RGB,R,G,B,A,CW,WW,SW
Warm White LEDs (WW):	3300 K	3300 K	3300 K	3300 K
Cool White LEDs (CW):	6500 K	6500 K	6500 K	6500 K
Typical Lumen Maintenance:	70%@ 50,000 hours	70%@ 50,000 hours	70%@ 50,000 hours	70%@ 50,000 hours
Led Life Expectancy:	minimum 50,000 hours	minimum 50,000 hours	minimum 50,000 hours	minimum 50,000 hours
Construction:	precision extruded aluminium	precision extruded aluminium	precision extruded aluminium	precision extruded aluminium
Weight:	0.6 kg	0.8 kg	1.0 kg	1.5 kg
Installation method:	Integral univ. mount. system	Integral univ. mount. system	Inte. universal mounting system	Inte. universal mounting system
Ingress Protection:	IP 2X	IP 2X	IP 2X	IP 2X
Flammability:	94HB ame class rating	94HB ame class rating	94HB ame class rating	94HB ame class rating
Power /Data plug:	RJ45	RJ45	RJ45	RJ45
Power /Data cable	24 AWG x 4P,category 5e	24 AWG x 4P,category 5e	24 AWG x 4P,category 5e	24 AWG x 4P,category 5e

\* RGB - red&green&blue;R- red;G-green,A-amber,B-blue;CW-cool white;WW-warm white;RGBCW-red&green&blue&cool white;SW-smartwhite

All above-mentioned models are available with the side power supply connection or rear power supply connection.

### 5. Dimensions:

(All dimensions are in mm)



## **6. Accessories**

- Allen key.....1 pcs
- Splitter (No. 13050690).....1 pcs (except ArcLine 36)

## **7. Maintenance**

- Keep the module dry.
- Operate only in places where the sufficient air flow to cool the module is present
- Periodically clean the front transparent cover. Use a moist, lint-free cloth. Never use alcohol or solvents!