

ARC SOURCE™ OUTDOOR 24MC INTEGRAL

The same high output of the ArcSource™ Outdoor 24MC but with an integral power supply - perfect for installations with physical access to the fixtures. Low energy consumption and long operational life is ensured by using the latest LED technology for optimum performance. Flush mounting the „Watch Glass“ reduces the buildup of dirt and debris on the fixture, with an IP67 rating ensuring high performance for years to come.



KEY FEATURES

Integrated power & control electronics, excellent output and a wide range of available optics. Wireless option.

Lumen Output & Light Source

Max. 2,075 lm | 6 X 15W Multichip

Projected Lumen Maintenance

60,000 hrs (L70@25°C)

Power Consumption

Typ. 70W

Physical (max WxHxD)

216 x 261 x 200 mm - 5.7kg | 8.5 x 10.28 x 7.87in. - 12.6lbs | Aluminium Body, Tempered Glass

CONTROL & PROTOCOLS



STANDARD & SPECIFICATION



2 Year
Warranty

5 Year
Warranty
(Registered)

COLOURS



RGBW



RGBA



Pure
White

COLOUR TEMPERATURES



3.000 K

FINISH OPTIONS



Graphite
Black



Silver



Custom
Paint Colour

OPTIC OPTIONS

SYMMETRICAL



7°



13°



20°



30°



40°



60°



90°

BI-SYMMETRICAL



7x30°



7x60°



10x90°



35x70°



30x7°



60x7°



90x10°

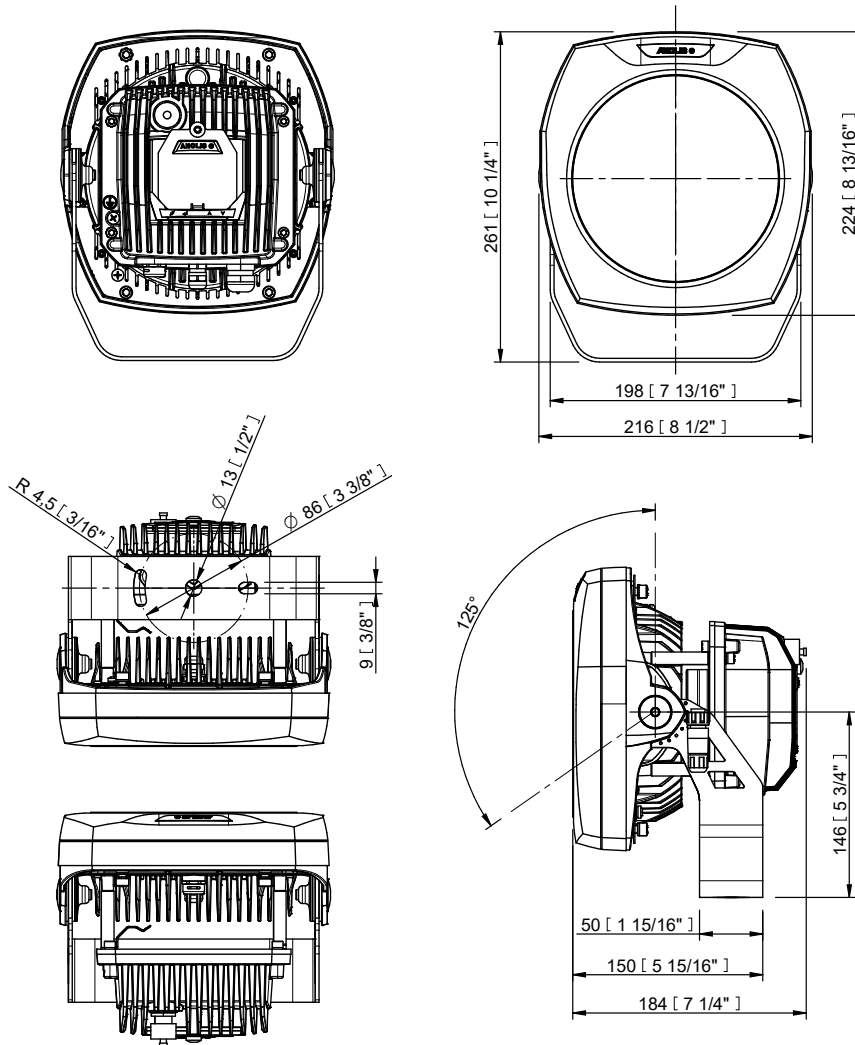


70x35°

ARCSOURCE OUTDOOR 24MC INTEGRAL SPECIFICATION

| | | |
|-----------------------------|---|--|
| ELECTRICAL | Input Voltage | 100 - 240 V AC 50/60 Hz (CE) 120 - 277 V AC 50/60 Hz (US) |
| | Typical Power Consumption | 70 W +/-10 % |
| OPTICAL | Light Source | 6 x 15W Multichip LEDs |
| | Colour Variants | RGBW (W - 6500 K) RGBA PW (W - 3000 K) |
| | Beam Angle | Symmetrical 7° 13° 20° 30° 40° 60° 90° |
| | | Bi-symmetrical 7° x 30° 30° x 7° 7° x 60° 60° x 7° 35° x 70° 70° x 35° 10° x 90° 90° x 10° |
| | Lumen Output Delivered | 12.075 lm (RGBW 7° W - 6500 K, all LEDs on full, 700 mA) |
| Projected Lumen Maintenance | 60.000 hrs (L70 @ 25 °C / 77 °F) | |
| CONTROL | Display | Two Row LCD Display With Control Buttons |
| | Wireless DMX (Option) | Lumen Radio CRMX Technology |
| | Interface Protocol | USITT DMX512, RDM |
| | Control System | Third Party DMX Controllers |
| | Operating Modes | DMX, Stand-alone |
| | Programs / Functions / Features | Editable Program: 3 (up to 40 steps each) |
| | Settings / Addressing | Via Two Row LCD Display with Control Buttons or RDM communicator |
| | Power Supply | Integrated |
| PHYSICAL | Width x Height x Depth | 216 x 261 x 200 mm 8.5 x 10.28 x 7.87 in. |
| | Weight | 5.7 kg 12.6 lbs |
| | Housing | High Pressure Die-Cast Aluminium Body |
| | | Tempered Glass |
| | Finish Options | Standard Colour - Graphite Black (RAL 9011), Silver (RAL 9006) |
| | | Cost Option - Custom RAL |
| | Cables / Connections | Li9Y11Y 3 x AWG16+1(2 x AWG24), Junction Box |
| | Mounting Method | Yoke, Floor Stand (optional) |
| | Adjustability | +35° / -90° |
| | Protection Factor | IP67 (IP66 Junction Box) / Suitable For Wet Locations |
| | IK Rating | IK09 |
| | Cooling System | Convection |
| | Operating Ambient Temperature | -20 °C / +40 °C (-4 °F / +104 °F) |
| Operating Temperature | +80 °C @ Ambient +40 °C (+176 °F @ Ambient +104 °F) | |
| Total Heat Dissipation | 240 BTU/h (calculated) | |
| CERTIFICATION | Listings | ETL / cETL, CE, RoHS |
| ACCESSORIES | | Optical Demo Set for ArcSource Outdoor 24 MC Integral |
| | | Top Hat ArcSource Outdoor 24 MC |
| | | Half Top Hat ArcSource Outdoor 24 MC |
| | | Floor Stand ArcSource Outdoor 24 MC |
| | | Land Spike for ASO 24MC |
| | | Tenon Adaptor for ASO 24MC (63 - 80 mm 80 - 106 mm) |
| | | Pole Clamp for ASO 24MC (63 - 80 mm 80 - 105 mm) |

DIMENSIONS



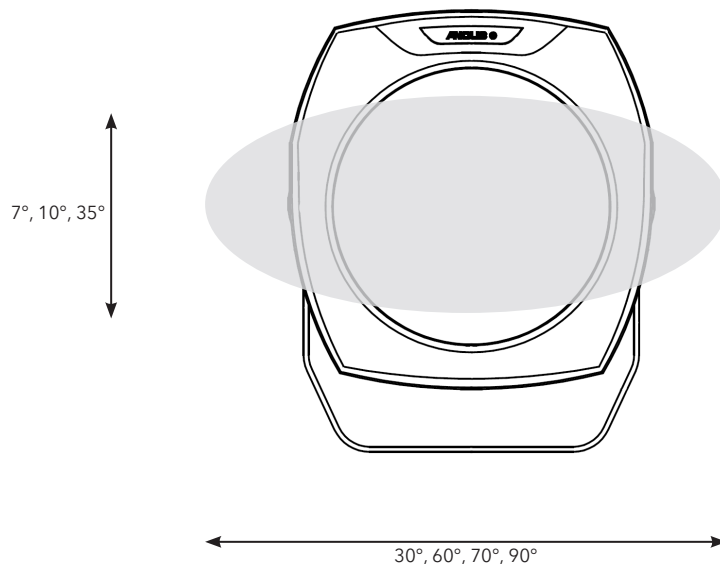
PHOTOMETRIC OVERVIEW

Lumen Output (lm)

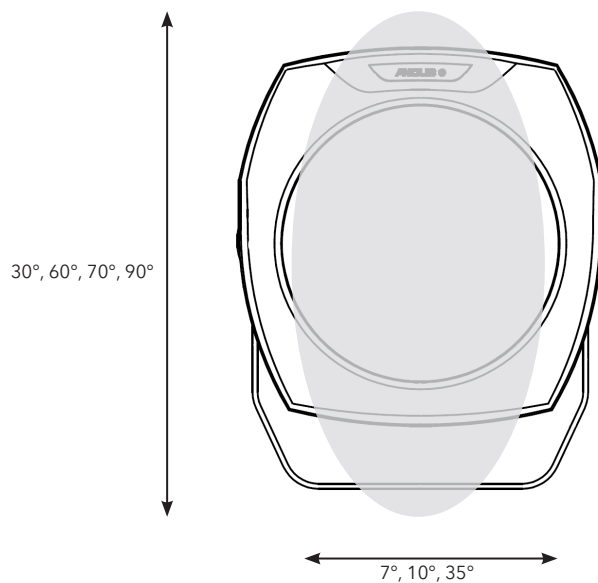
| | RGBCW (W 6500 K) | RGBA | CW (6500 K) | WW (W 3000 K) | SW (W 5000 K) |
|----------------------|------------------|-------|-------------|---------------|---------------|
| 7° | 2 075 | 1 831 | 2 920 | 2 075 | 2 298 |
| 13° | 2 075 | 1 831 | 2 920 | 2 075 | 2 298 |
| 20° | 2 050 | 1 809 | 2 885 | 2 050 | 2 270 |
| 30° | 2 043 | 1 803 | 2 875 | 2 043 | 2 262 |
| 40° | 2 037 | 1 797 | 2 867 | 2 037 | 2 256 |
| 60° | 2 033 | 1 794 | 2 861 | 2 033 | 2 251 |
| 90° | 1 979 | 1 746 | 2 785 | 1 979 | 2 191 |
| 7° x 30°, 30° x 7° | 1 995 | 1 761 | 2 808 | 1 995 | 2 209 |
| 7° x 60°, 60° x 7° | 1 965 | 1 734 | 2 766 | 1 965 | 2 176 |
| 35° x 70°, 70° x 35° | 1 988 | 1 755 | 2 798 | 1 988 | 2 202 |
| 10° x 90°, 90° x 10° | 1 852 | 1 635 | 2 607 | 1 852 | 2 051 |

BI-SYMMETRICAL BEAM ANGLES

Bi-symmetrical: 7°x30°, 7°x60°, 35°x70°, 10°x90°

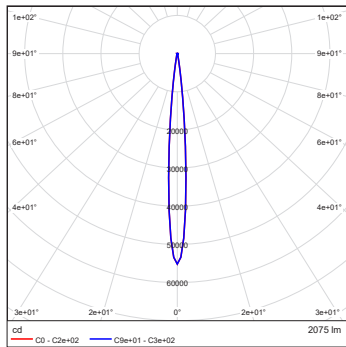


Bi-symmetrical: 30°x7°, 60°x7°, 70°x35°, 90°x10°



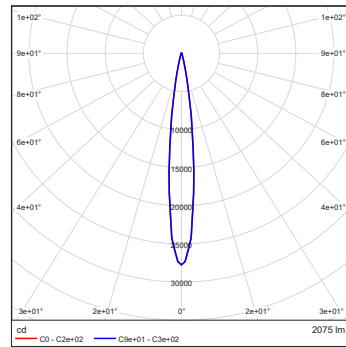
PHOTOMETRIC DATA

ArcSource Outdoor 24MC Integral RGBCW 7dg



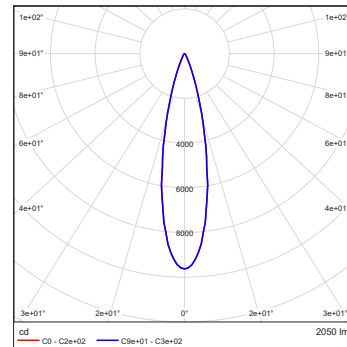
| Distance [m] | Cone diameter [m] | E(0°) [lx] | E(C0) [lx] |
|--------------|-------------------|------------|------------|
| 0.50 | 0.08 | 220815 | 105327 |
| 1.0 | 0.16 | 55154 | 27332 |
| 1.5 | 0.24 | 24513 | 12147 |
| 2.0 | 0.32 | 13789 | 6833 |
| 2.5 | 0.40 | 8626 | 4373 |
| 3.0 | 0.48 | 6129 | 3033 |

ArcSource Outdoor 24MC Integral RGBCW 13dg



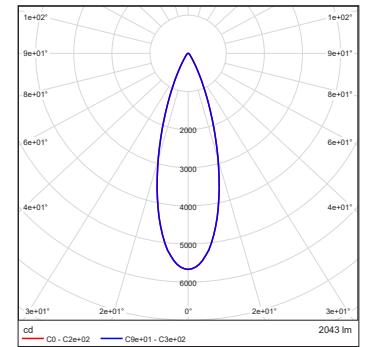
| Distance [m] | Cone diameter [m] | E(0°) [lx] | E(C0) [lx] |
|--------------|-------------------|------------|------------|
| 0.50 | 0.11 | 110981 | 50163 |
| 1.0 | 0.23 | 27740 | 13798 |
| 1.5 | 0.34 | 12329 | 6133 |
| 2.0 | 0.46 | 6935 | 3450 |
| 2.5 | 0.57 | 4438 | 2208 |
| 3.0 | 0.68 | 3082 | 1533 |

ArcSource Outdoor 24MC Integral RGBCW 20dg



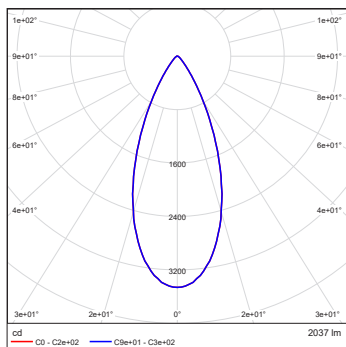
| Distance [m] | Cone diameter [m] | E(0°) [lx] | E(C0) [lx] |
|--------------|-------------------|------------|------------|
| 0.50 | 0.21 | 38523 | 18091 |
| 1.0 | 0.42 | 9631 | 4523 |
| 1.5 | 0.63 | 4280 | 2010 |
| 2.0 | 0.84 | 2408 | 1131 |
| 2.5 | 1.0 | 1541 | 724 |
| 3.0 | 1.3 | 1070 | 553 |

ArcSource Outdoor 24MC Integral RGBCW 30dg



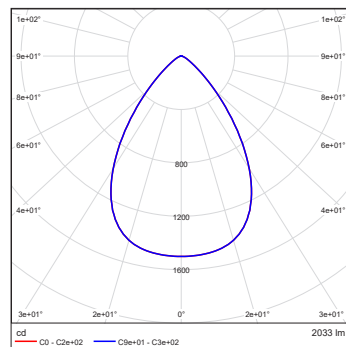
| Distance [m] | Cone diameter [m] | E(0°) [lx] | E(C0) [lx] |
|--------------|-------------------|------------|------------|
| 0.50 | 0.28 | 22689 | 10167 |
| 1.0 | 0.57 | 5667 | 2542 |
| 1.5 | 0.85 | 2519 | 1130 |
| 2.0 | 1.1 | 1417 | 635 |
| 2.5 | 1.4 | 907 | 407 |
| 3.0 | 1.7 | 630 | 292 |

ArcSource Outdoor 24MC Integral RGBCW 40dg



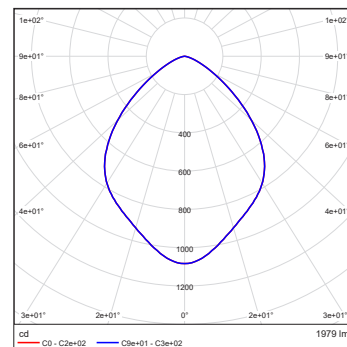
| Distance [m] | Cone diameter [m] | E(0°) [lx] | E(C0) [lx] |
|--------------|-------------------|------------|------------|
| 0.50 | 0.39 | 13848 | 5994 |
| 1.0 | 0.78 | 3462 | 1398 |
| 1.5 | 1.2 | 1539 | 622 |
| 2.0 | 1.6 | 885 | 350 |
| 2.5 | 2.0 | 554 | 224 |
| 3.0 | 2.4 | 385 | 152 |

ArcSource Outdoor 24MC Integral RGBCW 60dg



| Distance [m] | Cone diameter [m] | E(0°) [lx] | E(C0) [lx] |
|--------------|-------------------|------------|------------|
| 0.50 | 0.72 | 6003 | 1614 |
| 1.0 | 1.4 | 1501 | 403 |
| 1.5 | 2.2 | 687 | 179 |
| 2.0 | 2.9 | 376 | 101 |
| 2.5 | 3.6 | 240 | 65 |
| 3.0 | 4.3 | 167 | 45 |

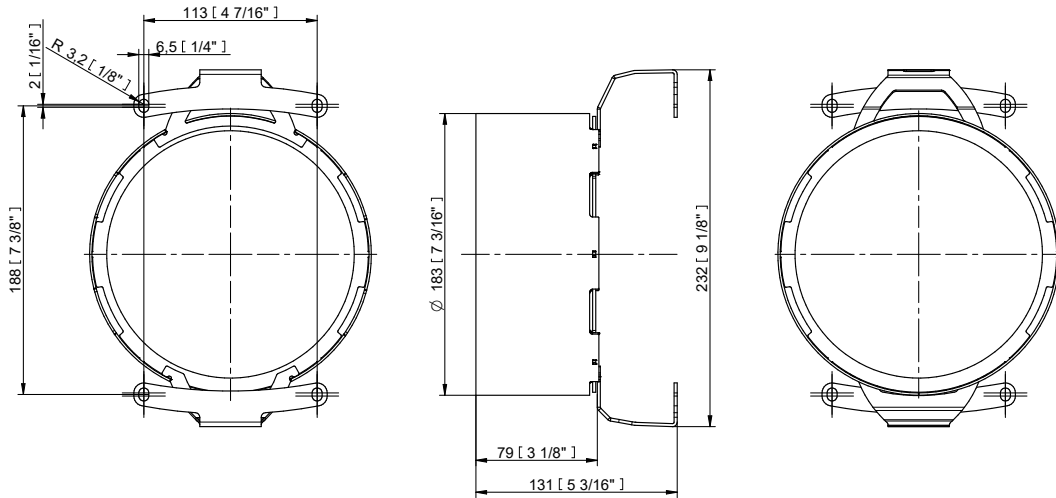
ArcSource Outdoor 24MC Integral RGBCW 90dg



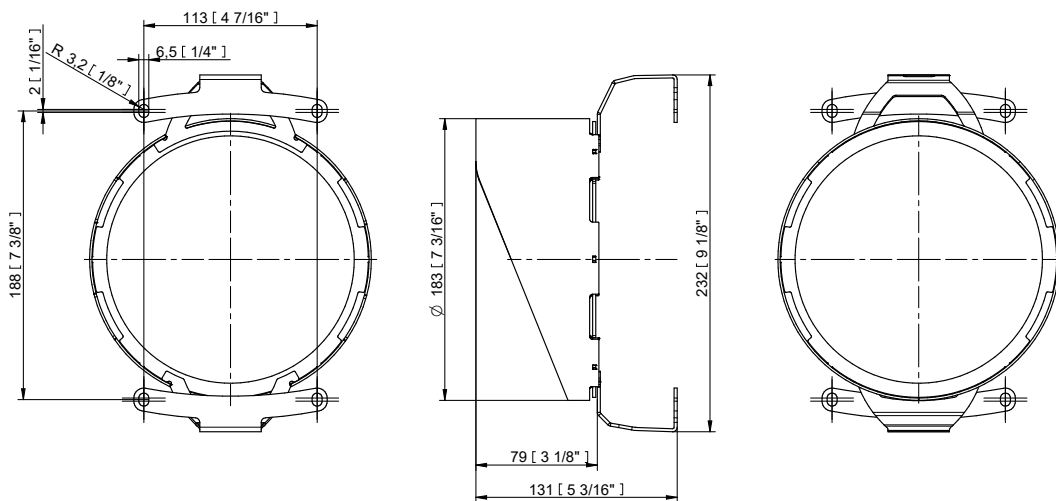
| Distance [m] | Cone diameter [m] | E(0°) [lx] | E(C0) [lx] |
|--------------|-------------------|------------|------------|
| 0.50 | 0.97 | 4332 | 808 |
| 1.0 | 1.9 | 1083 | 202 |
| 1.5 | 2.9 | 461 | 90 |
| 2.0 | 3.9 | 271 | 50 |
| 2.5 | 4.8 | 173 | 32 |
| 3.0 | 5.8 | 120 | 22 |

ACCESSORIES FOR ARCSOURCE OUTDOOR 24MC INTEGRAL

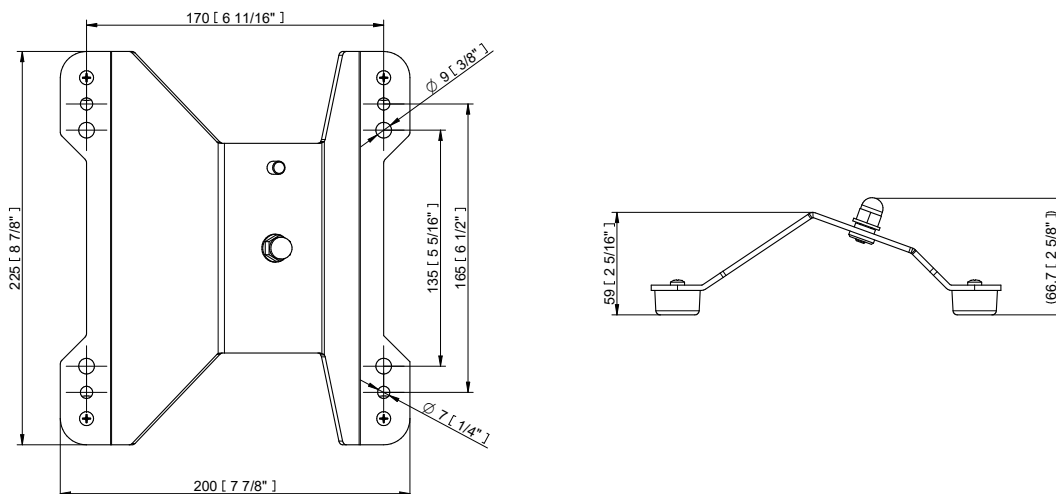
Top Hat



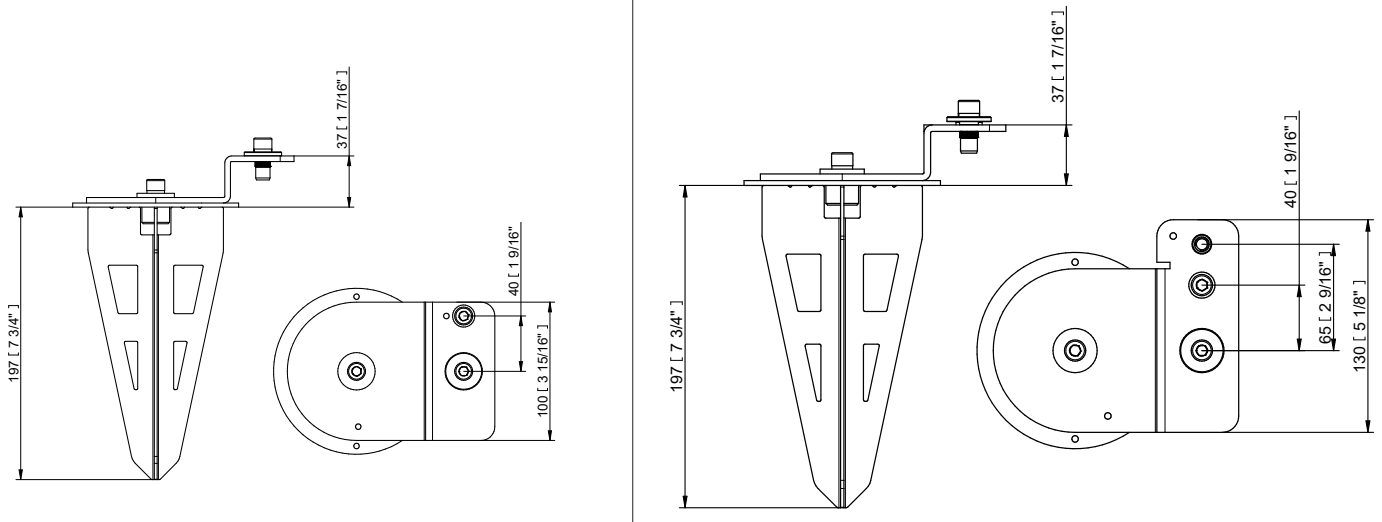
Half Top Hat



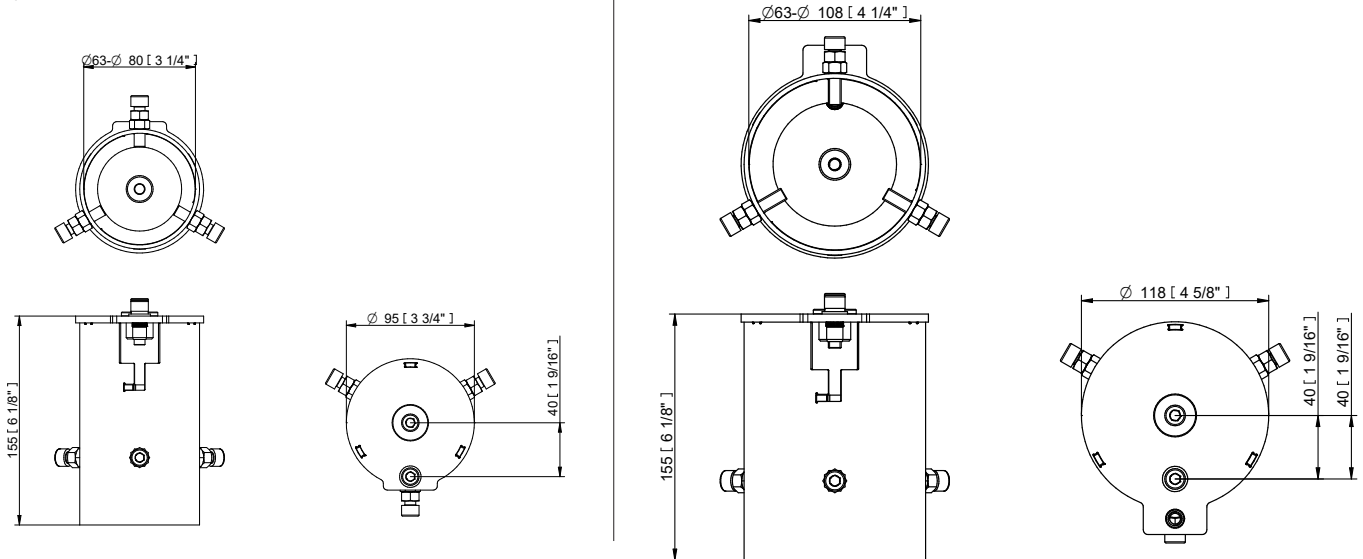
Floor Stand



Land Spike 100 mm / 130 mm



Tenon Adaptor $\varnothing 63 - 80 \text{ mm} / \varnothing 80 - 106 \text{ mm}$



Pole Clamp $\varnothing 63 - 80 \text{ mm} / \varnothing 80 - 105 \text{ mm}$

