

# EMINERE™ SIDE 1 / 2 / 3 / 4

Eminere™ Side is specifically designed for applications where a low form factor is required keeping installation of the luminaire neat and clean. The new Eminere™ range by Anolis builds on the success of the original ArcLine™ Outdoor with precision optics and is available in a variety of sizes, perfect for a wide range of exterior and interior applications such as Flood Lighting, Wall Grazing, Wall Washing and Accent Lighting. Built to exacting standards, these IP67 rated linear fixtures are tough enough to withstand extreme environments whilst producing beautiful colours from the RGBW, RGBA or PureWhite LED chips.



## KEY FEATURES

Complete solution for illuminating buildings, monuments, walls, statues, bridges, coves and arches and much more.

Wide range of optics allowing to place product anywhere is needed with no limitation.

Full spectral LEDs selection with custom option on request.

High durability of IK06 in combination of ingress factor IP67.

Easy and quick installation using click on connectors overmolded on combo cable (Power + Data).

## CONTROL & PROTOCOLS



OPTIONAL



OPTIONAL

## STANDARD & SPECIFICATION



Vibration Standard for Bridge



5 Year Warranty (Registered)

## COLOURS



RGBW



RGBA



Pure White



Tuneable White

## COLOUR TEMPERATURE

\* UPON REQUEST



2.500 K\*



2.700 K\*



3.000 K



3.500 K\*



4.000 K\*



5.000 K\*



6.500 K\*



2.700-6.500 K\*

## FINISH OPTIONS



RAL 9011 Graphite Black



RAL 9006 Silver



RAL - CUSTOM Paint Colour



RAL 9011 9016 HARSH Environment

## OPTIC OPTIONS

### SYMMETRICAL



9°



15°



30°



50°



65°



100°

### ASYMMETRICAL



WIDE WALLWASHER



WALLWASHER

### BI-SYMMETRICAL



10x30°



10x60°



15x90°



35x70°



30x10°



60x10°

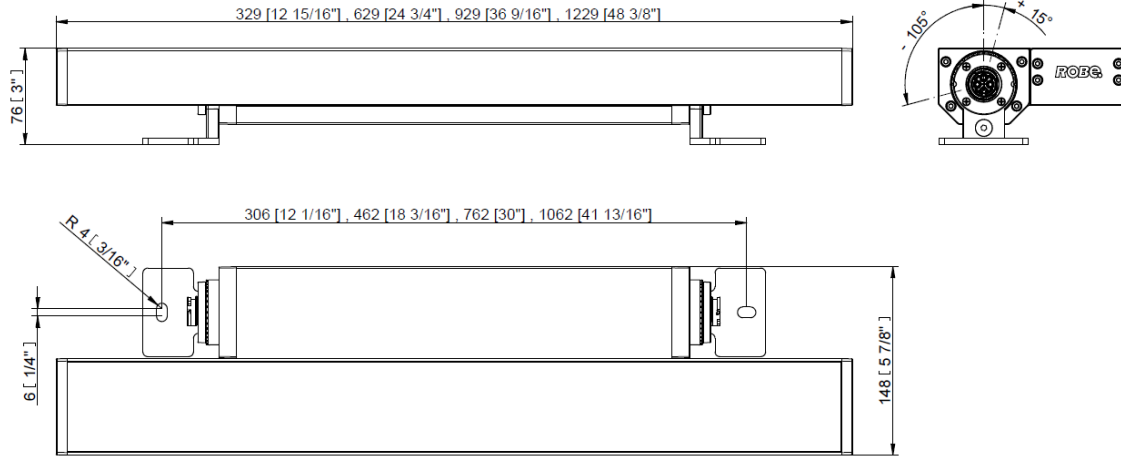


90x15°



70x35°

**DIMENSIONS**



**PHOTOMETRIC OVERVIEW**

Based on RGBW version, all leds @ full

Lumen Output (lm)

	EMINERE SIDE 1	EMINERE SIDE 2	EMINERE SIDE 3	EMINERE SIDE 4
<b>9°</b>	1 147	2 294	3 441	4 588
<b>15°</b>	978	1 956	2 910	3 912
<b>30°</b>	1 046	2 092	3 138	4 184
<b>50°</b>	1 039	2 078	3 117	4 156
<b>65°</b>	1 040	2 080	3 120	4 160
<b>100°</b>	996	1 992	2 988	3 984
<b>10° x 30°</b>	1 032	2 064	3 096	4 128
<b>10° x 60°</b>	1 051	1 874	2 811	3 748
<b>15° x 90°</b>	970	1 940	2 934	3 880
<b>35° x 70°</b>	1 040	2 080	3 120	4 160
<b>WallWasher</b>	952	1 904	2 856	3 806
<b>Wide WallWasher</b>	854	1 708	2 562	3 416

**EMINERE SIDE SPECIFICATION**

<b>ELECTRICAL</b>	Input Voltage	120 - 277 V AC 50/60 Hz			
	Typical Power Consumption	<b>Eminere Side 1</b>		25 W	
		<b>Eminere Side 2</b>		45 W	
		<b>Eminere Side 3</b>		65 W	
<b>Eminere Side 4</b>		85 W			
<b>OPTICAL</b>	Light Source	12, 24, 36, 48 x High Power Single Chip LEDs			
	Colour Variants	RGBW (W - 6.500 K)	RGBA	PW (W - 3.000 K)	
		Variants On Request (TW (2700 - 6500 K)   2500 K   2700 K   3500 K   4000 K   5000 K   6500 K)			
	Beam Angle	Symmetrical: 9°   15°   30°   50°   65°   100°			
		Bi-symmetrical: 10° x 30°   30° x 10°   10° x 60°   60° x 10°   35° x 70°   70° x 35°   15° x 90°   90° x 15°			
		Asymmetrical: Wallwasher   Wide Wallwasher			
Lumen Output Delivered	<b>Eminere Side 1</b>		1.147 lm, RGBW @ 9°		
	<b>Eminere Side 2</b>		2.294 lm, RGBW @ 9°		
	<b>Eminere Side 3</b>		3.441 lm, RGBW @ 9°		
	<b>Eminere Side 4</b>		4.588 lm, RGBW @ 9°		
Projected Lumen Maintenance	60.000 hrs (L70 @ 25 °C / 77 °F)				
<b>CONTROL</b>	Interface Protocol	Via E-Box range or Wireless DMX (excluded Eminere Side 1)			
	E-Box Control Protocols	USITT DMX512, RDM, ArtNet, MA Net, MA Net2, sACN, Kling-Net			
	Wireless DMX (Option)	Lumen Radio CRMX Technology			
	Operating Modes	Pixel (12 LEDs) or Fixture mode			
	Setting / Addressing	Via Two Row LCD Display with Control Buttons or RDM communicator			
	Power Supply	Integrated			
	Connectivity	E-box Lite	144 of Eminere Side 1 (@ 230 V and 40m cable) via 1 Output		
		E-box Daisy	144 of Eminere Side 1 (@ 230 V and 40m cable) via 1 Output		
E-box Star		144 of Eminere Side 1 (@ 230 V and 40m cable) via 6 Outputs			
<b>PHYSICAL</b>	Width x Height x Length	<b>Eminere Side 1</b>		148 x 76 x 329 mm (5.82 x 2.99 x 12.95 in.)	
		<b>Eminere Side 2</b>		148 x 76 x 629 mm (5.82 x 2.99 x 24.76 in.)	
		<b>Eminere Side 3</b>		148 x 76 x 929 mm (5.82 x 2.99 x 36.57 in.)	
		<b>Eminere Side 4</b>		148 x 76 x 1229 mm (5.82 x 2.99 x 48.38 in.)	
	Weight	2.95 kg / 6 lbs	4.75 kg / 10 lbs	7 kg / 15 lbs	8.92 kg / 19 lbs
	Housing	High Pressure Extruded Aluminium Body   End Caps - Die-Cast Aluminium   Tempered Glass			
	Finish Options	Standard Colour - Graphite Black (RAL 9011)   Silver (RAL 9006)			
		Cost Option - Custom RAL   Harsh Environment (RAL 9016, RAL 9011)			
	Cables / Connections	IP67 Hybrid Connection (Power + Data)			
	Mounting Method	Surface Mount With Different Type of Brackets			
	Adjustability	-105° / +15°			
	Protection Factor	IP67 / Suitable For Wet Locations			
	IK Rating	IK06			
	Cooling System	Convection			
Operating Ambient Temperature	-20 °C / +40 °C (-4 °F / +104 °F)				
Operating Temperature	+67 °C @ Ambient +40 °C (+153 °F @ Ambient +104 °F)				
<b>CERTIFICATION</b>	Listings	ETL / cETL, CE, RoHS			

**EMINERE SIDE SPECIFICATION**

<b>ACCESSORIES</b>	<b>Mounting Brackets</b>	Mounting Brackets 50 mm		
		Mounting Brackets 100 mm		
		Mounting Brackets 200 mm		
		Mounting Brackets 300 mm		
		Mounting Brackets - custom length		
	<b>Shields</b>	Shield For Eminere Side 1	Shield For Eminere Side 3	
		Shield For Eminere Side 2	Shield For Eminere Side 4	
	<b>Cables and Connectors</b>	Field Installable Connector FF		
		Field Installable Connector FM		
		Cable CE WCA   Cable US WCA		
		Waterproof Cover Cap FM ZAHB-0006		
		<b>CE/UL Leader Cables FF for Eminere:</b>	Leader Cable FF 2m	
			Leader Cable FF 5m	
			Leader Cable FF 10m	
			Leader Cable FF 25m	
			Leader Cable FF 50m	
		<b>CE/UL Jumper Cables FF/FM for Eminere:</b>	Jumper Cable FF/FM 0,25m	
			Jumper Cable FF/FM 0,5m	
			Jumper Cable FF/FM 1m	
			Jumper Cable FF/FM 2m	
Jumper Cable FF/FM 3m				
Jumper Cable FF/FM 5m				
Jumper Cable FF/FM 10m				
<b>Booster Box</b>	Booster Box			

**COLOUR MIXING PRINTS**

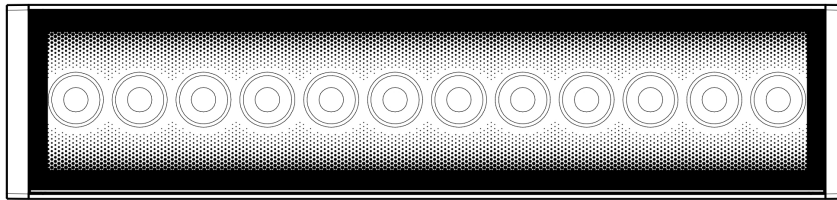
**STAND ALONE**

Specially designed glass printing to achieve optimal colour mixing and intensity distribution.

**HEAD2HEAD**

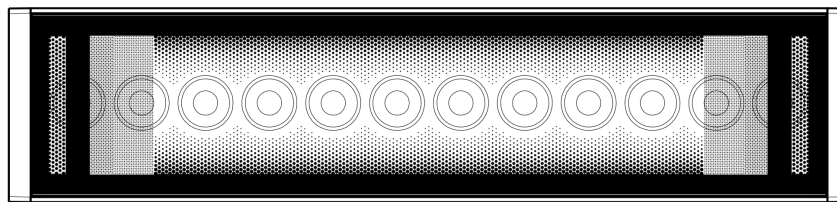
Fixtures without special end glass print installed right next to each other create absolutely perfect colour and intensity overlap.

Note:  
Applies for RGBW, RGBA versions.  
Pure white and Tunable white versions are always without the end print (no matter on their position to other fixture).

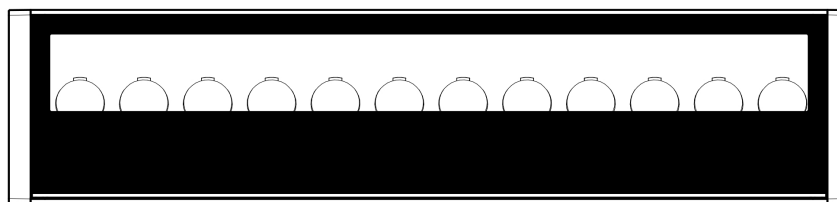


HEAD2HEAD

**SYMMETRICAL**

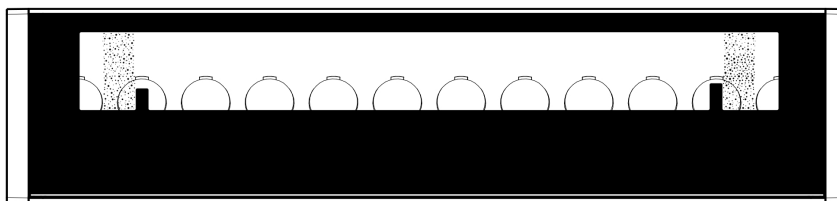


STAND ALONE



HEAD2HEAD

**WALLWASHER**

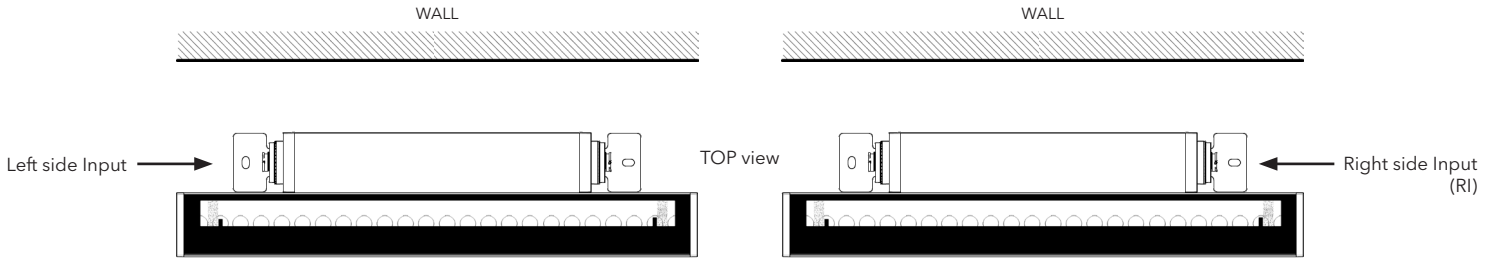


STAND ALONE

**EMINERE SIDE INPUT OPTIONS**

**STANDARD**

**UPON REQUEST**



Note: Applies for all optic versions.

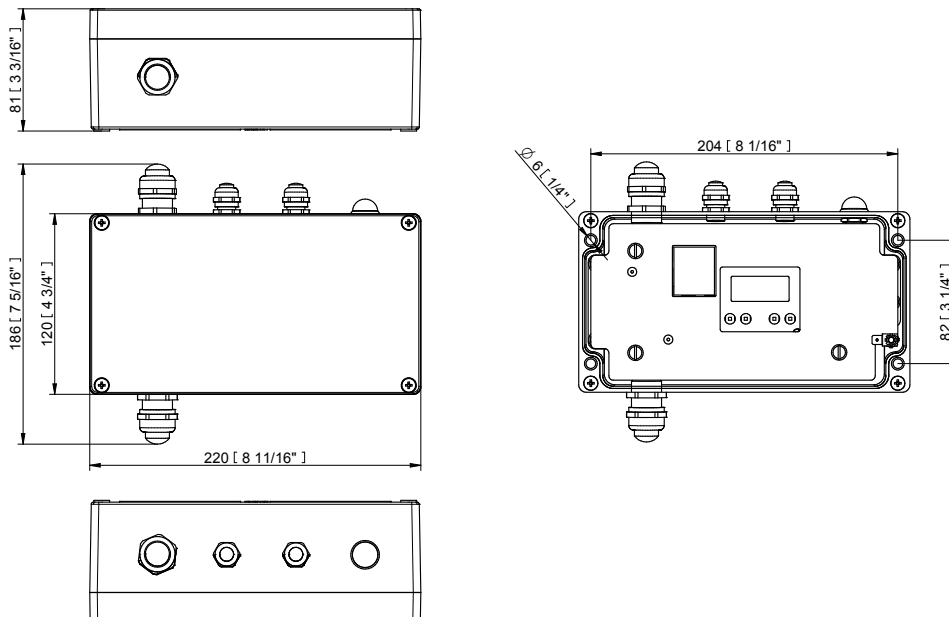
**E-BOX SPECIFICATION**

<b>ELECTRICAL</b>	Input Voltage	120 - 277 V AC 50/60 Hz		
	Wireless DMX (Option)	Lumen Radio CRMX Technology		
<b>CONTROL</b>	Interface Protocol	E-box Lite: USITT DMX512, RDM, Kling-Net		
		E-box Daisy: USITT DMX512, RDM, ArtNet, MA Net, MA Net2, sACN, Kling-Net		
		E-box Star: USITT DMX512, RDM, ArtNet, MA Net, MA Net2, sACN, Kling-Net		
	Operating Modes	Pixel (12 LEDs) or Fixture mode		
	Display	Via Two Row LCD Display with Control Buttons or RDM communicator		
	Control System	E-box With Self Addressing Feature or Custom Setting Via LCD Display/RDM		
	Power Supply	Integrated		
<b>CONNECTIVITY</b>	E-box Lite	144 of Eminere Side 1 (@ 230 V and 40m cable) via 1 Output		
	E-box Daisy	144 of Eminere Side 1 (@ 230 V and 40m cable) via 1 Output		
	E-box Star	144 of Eminere Side 1 (@ 230 V and 40m cable) via 6 Outputs		
<b>PHYSICAL</b>	Length x Width x Height	E-box Lite	220 x 120 x 81 mm (8.66 x 4.72 x 3.18 in.)	
		E-box Daisy	260 x 160 x 91 mm (10.24 x 6.30 x 3.58 in.)	
		E-box Star	280 x 230 x 111 mm (11.02 x 9.06 x 4.37 in.)	
	Weight	1.75 kg   3.85 lbs	2.71 kg   5.97 lbs	2.85 kg   6.28 lbs
	Housing	Die-Cast Aluminium Case		
	Finish Options	Standard Colour - Graphite Black (RAL 9011)   Silver (RAL 9006)		
		Cost Option - Custom RAL   Harsh Environment (RAL 9016, RAL 9011)		
	Cables / Connections	Cable Grommet (stainless steel)		
	Mounting Method	Surface Mount , 4 Mounting Holes		
	Protection Factor	IP67 / Suitable For Wet Locations		
IK Rating	IK10			
Cooling System	Convection			
Operating Ambient Temperature	-20 °C / +40 °C (-4 °F / +104 °F)			
<b>CERTIFICATION</b>	Listings	ETL / cETL, CE, RoHS		

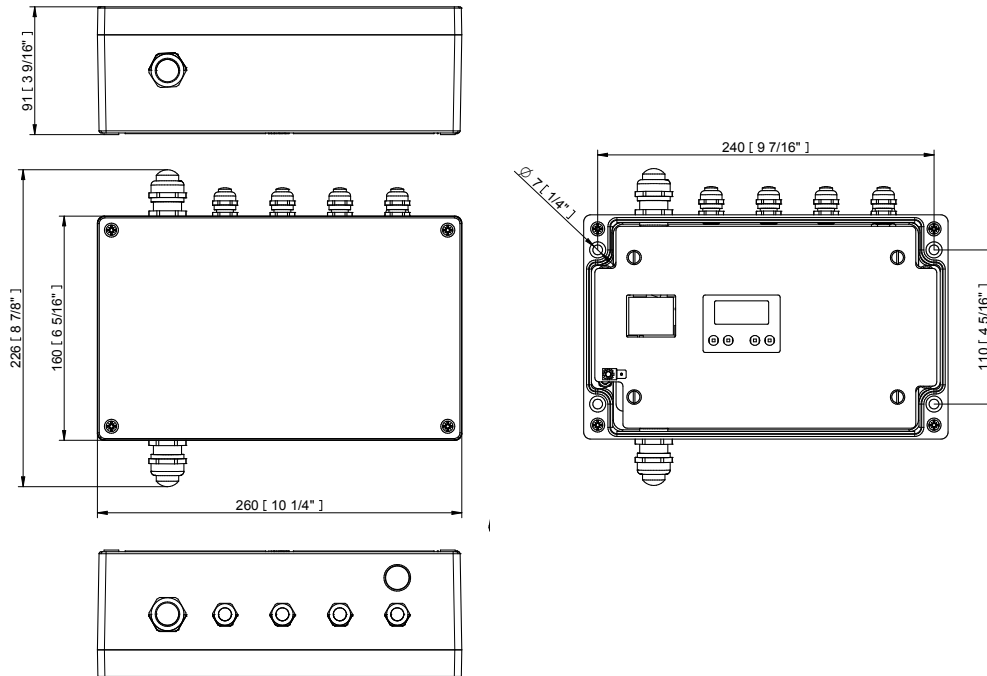
**COMPARISON**

	E-BOX LITE	E-BOX DAISY	E-BOX STAR
<b>Power input</b>	1	1	1
<b>Fixture Output</b>	1	1	6
<b>Total load (current)</b>	16A	16A	16A
<b>DMX control</b>	YES	YES	YES
<b>RDM</b>	YES	YES	YES
<b>Art-Net</b>	NO	YES	YES
<b>Ethernet switch</b>	NO	YES	YES
<b>Kling-Net</b>	YES	YES	YES
<b>sACN</b>	NO	YES	YES
<b>MA Net, MA Net2</b>	NO	YES	YES

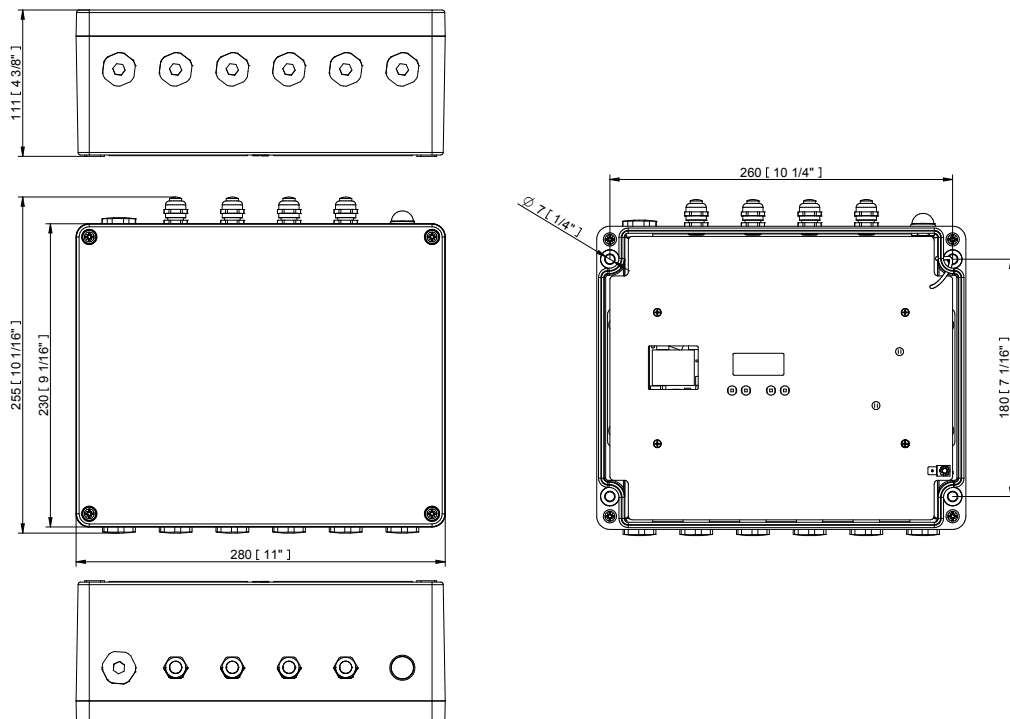
**E-BOX LITE**



**E-BOX DAISY**



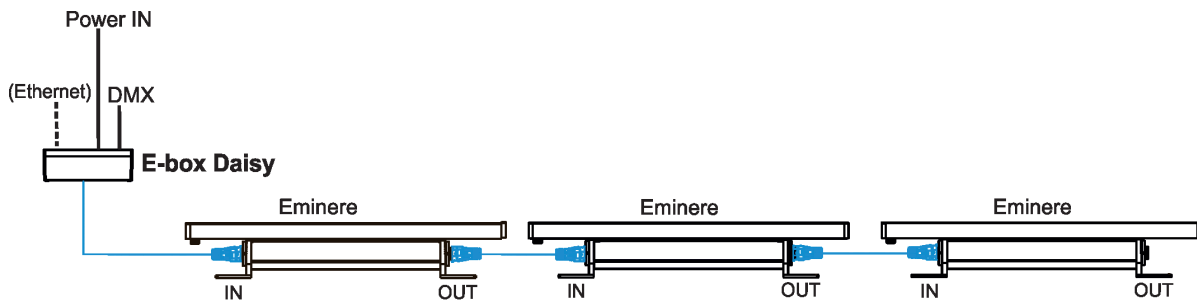
**E-BOX STAR**



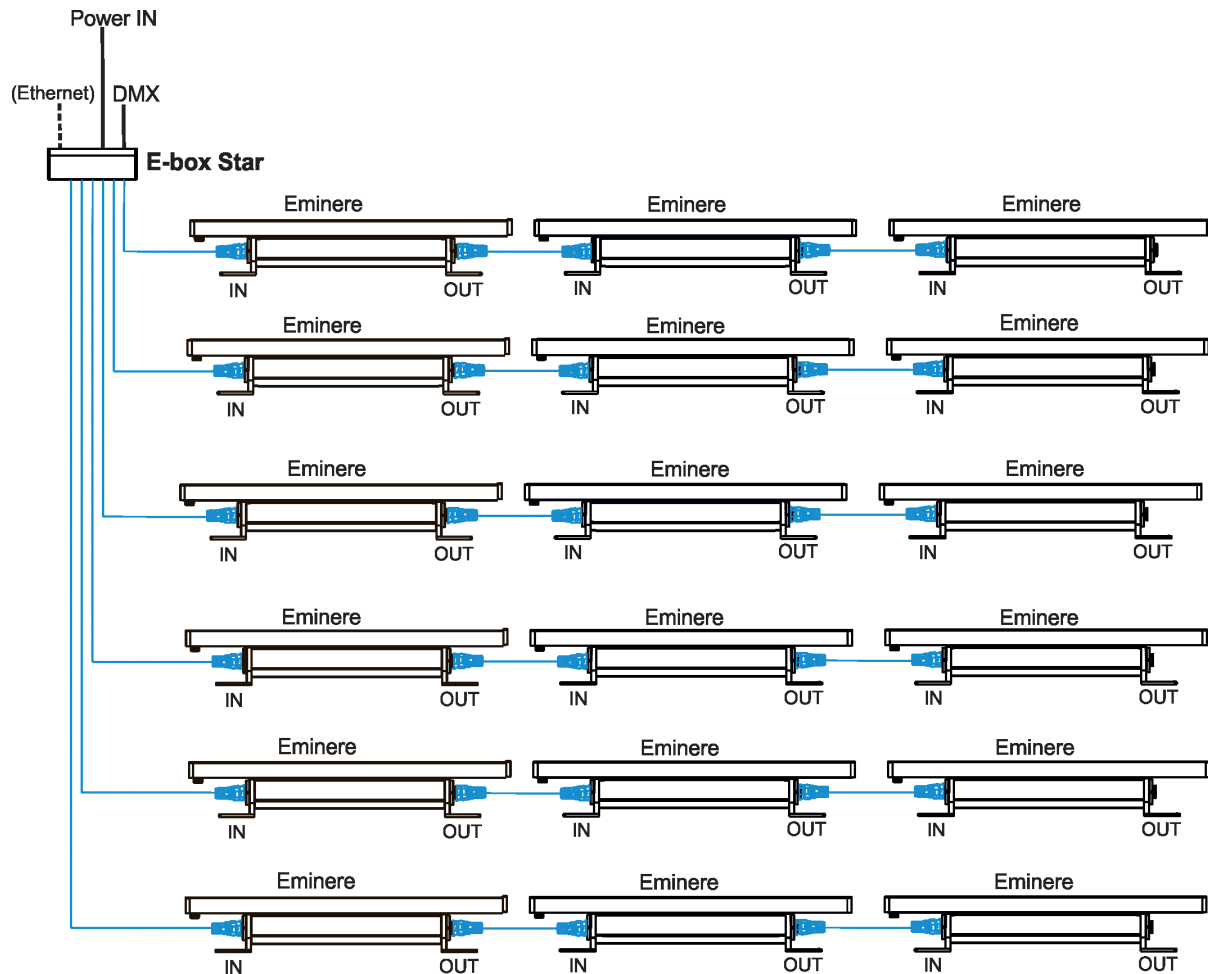


**CONNECTION**

**E-BOX LITE / DAISY**



**E-BOX STAR**

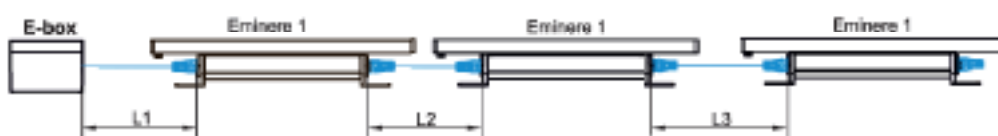


**CONNECTIVITY**

Following table shows maximum connected Emineres on each output of E-Box with respect of cable length.

	Cable length (m)	Voltage (V)				
		100	120	190	230	277
<b>EMINERE SIDE 1</b>	<b>10</b>	69	83	131	159	191
	<b>20</b>	61	83	131	159	191
	<b>30</b>	40	58	131	159	191
	<b>50</b>	24	35	88	128	186
	<b>70</b>	17	25	63	92	133
	<b>100</b>	12	17	44	64	93
	<b>200</b>	6	9	22	32	47
<b>EMINERE SIDE 2</b>	<b>10</b>	34	41	64	78	94
	<b>20</b>	30	41	64	78	94
	<b>30</b>	20	28	64	78	94
	<b>50</b>	12	17	43	63	91
	<b>70</b>	8	12	31	45	65
	<b>100</b>	6	9	21	31	46
	<b>200</b>	3	4	11	16	23
<b>EMINERE SIDE 3</b>	<b>10</b>	23	28	44	53	64
	<b>20</b>	20	28	44	53	64
	<b>30</b>	13	19	44	53	64
	<b>50</b>	8	12	29	43	62
	<b>70</b>	6	8	21	31	44
	<b>100</b>	4	6	15	21	31
	<b>200</b>	2	3	7	11	16
<b>EMINERE SIDE 4</b>	<b>10</b>	17	21	33	40	48
	<b>20</b>	15	21	33	40	48
	<b>30</b>	10	15	33	40	48
	<b>50</b>	6	9	22	32	47
	<b>70</b>	4	6	16	23	38
	<b>100</b>	3	4	11	16	23
	<b>200</b>	2	2	5	8	12

\* Cable length is a total cable length between E-box and last connected Eminere. Example: Total cable length=L1+L2+L3

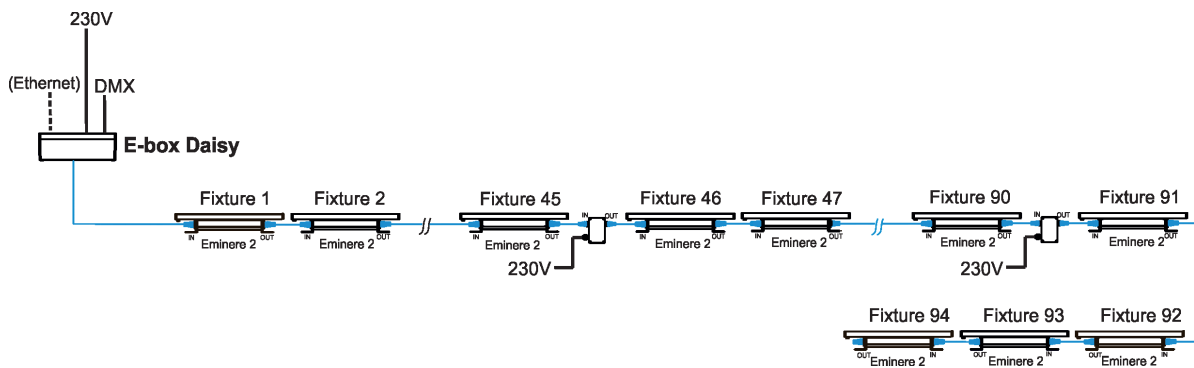


**THE BOOSTER BOX**

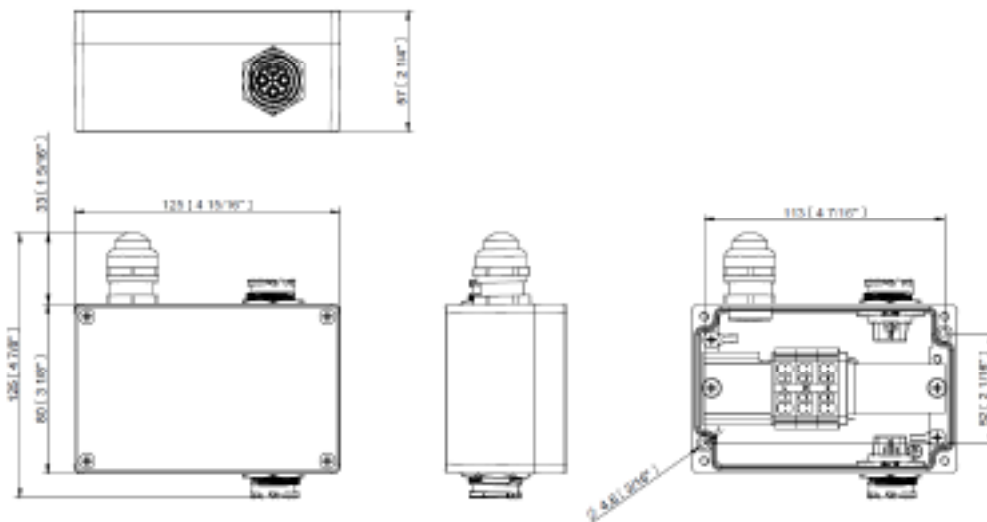
To compensate a voltage drop in a large installation, the Booster boxes have to be connected in the chain of Eminere modules.



Example: E-box Daisy, Power supply= 230V, Cable length=70m, fixture=Eminere 2.  
The Booster box has to be connected after every 45th Eminere 2 (fixture 45 and fixture 90) from 94 fixtures.

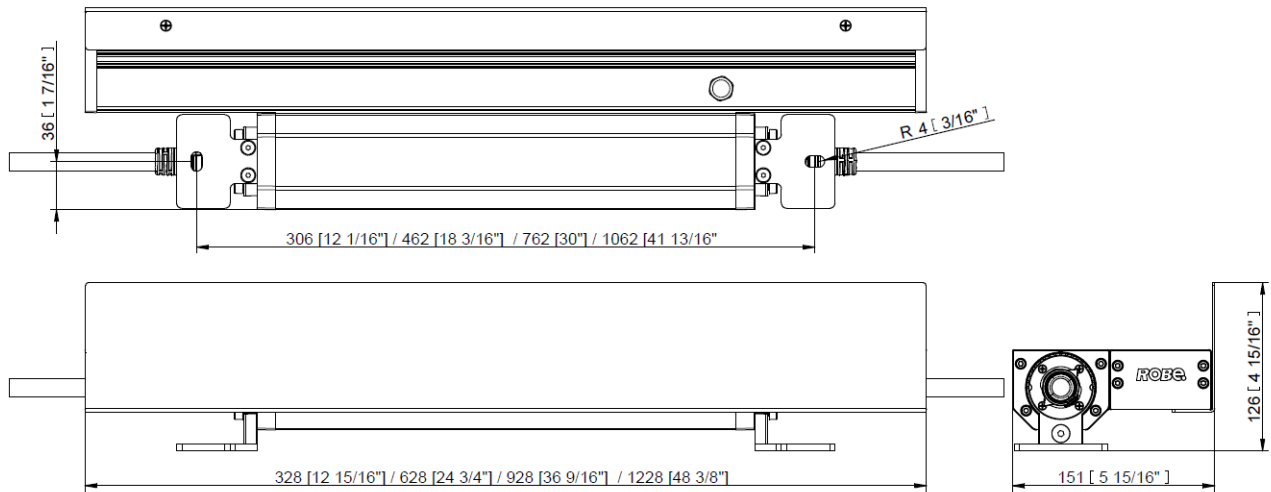


**DIMENSIONS**

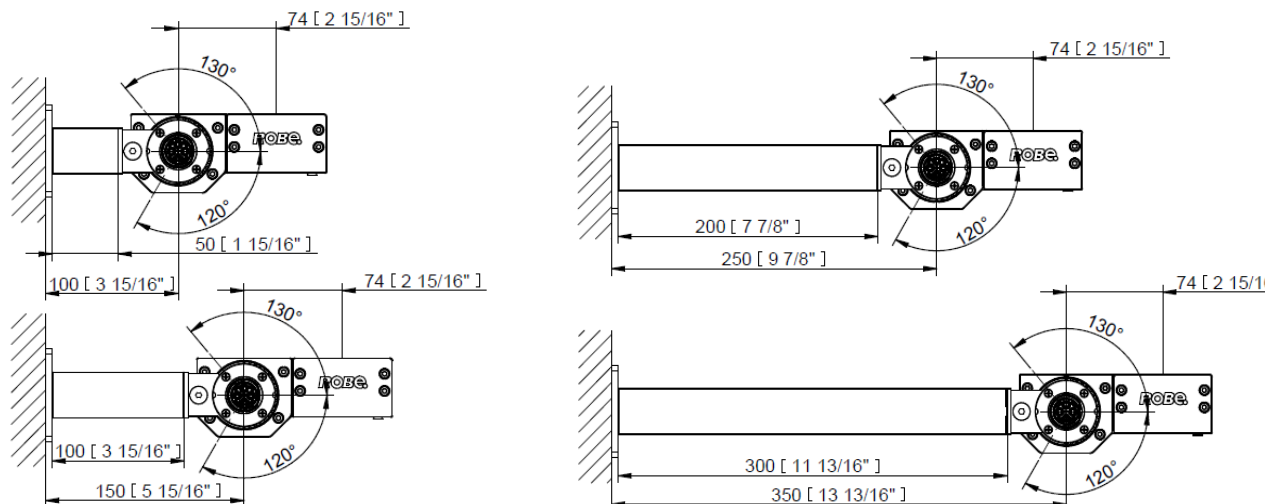


**ACCESSORIES**

**Shield for Eminere Side**



**Mounting brackets**



**CABLES**

**Leader Cable** - for connecting E-Box with first Eminere. Comes with Waterproof End Cap which has to be installed to the last Eminere's output connector.

Female connector  
Female pins



**Jumper Cable** - for connection between two Emineres.

Female connector  
Female pins



Female connector  
Male pins

**Field installable connector**

- for special cases, where Jumper Cable can't be used. Then use Leader Cable with Field installable connector to make a connection between Emineres.

Female connector  
Female pins



Female connector  
Male pins

**Waterproof End Cap** - Install at the end of line to the last Emineres output connector.



**Cable lengths available**

IN METRES	LEADER CABLE	JUMPER CABLE
<b>0,25</b>	-	YES
<b>0,5</b>	-	YES
<b>1</b>	-	YES
<b>2</b>	YES	YES
<b>3</b>	-	YES
<b>5</b>	YES	YES
<b>10</b>	YES	YES
<b>25</b>	YES	-
<b>50</b>	YES	-