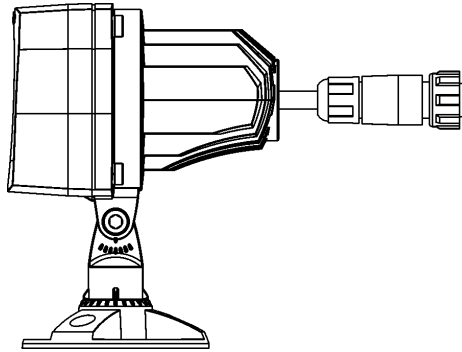


User instructions

ArcSource Outdoor 4 MC Pixel

The ArcSource Outdoor 4 MC Pixel is a multi-purpose, high-intensity RGBW LED node for generating a wide variety of effects without the limitations associated with a solid fixture unit. The unit's high light output can be pixel mapped and therefore can be controlled and used for large scale matrix applications, as well as used for individual illuminating needs.



1.Attention

Consider the respective national norms during the installation!

Do not install the module near high inflammable liquids or materials

Do not allow anything to rest on the module

Do not install the unit near naked flames.

Avoid using the unit in locations subject to possible impacts.

Do not attempt to dismantle or modify the unit.

Do not install the module in badly ventilated location

Warning: Operation of this equipment in a residential environment could cause radio interference.

Warning: Operation of this equipment in a residential environment could cause radio interference.

Resistance of the equipment is designed for electromagnetic environments E1, E2, E3 according to the standard EN55103-2 ed.2 Electromagnetic compatibility. Product family standard for audio, video, audiovisual and entertainment lighting control apparatus for professional use. Part 2: Immunity.

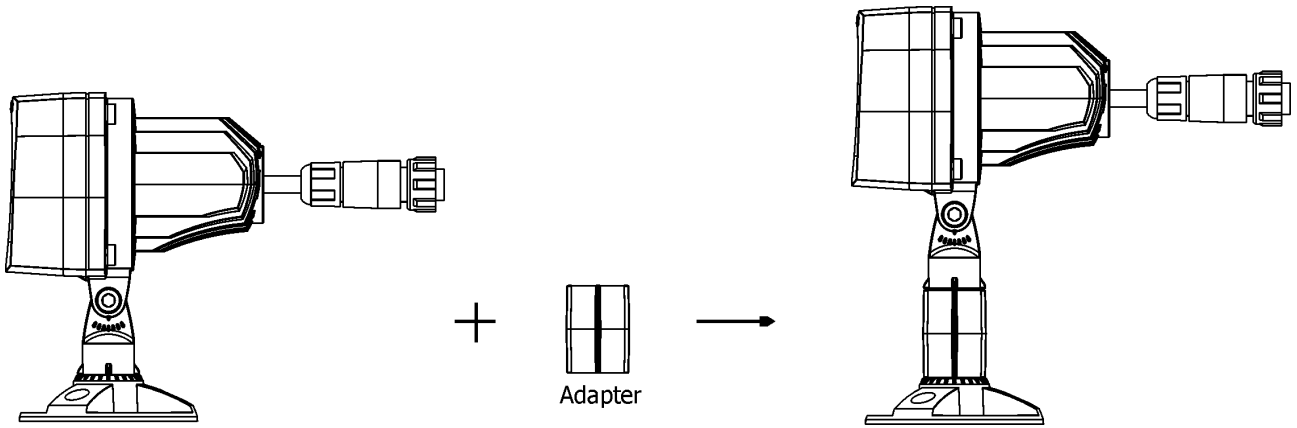
The installation company should measure levels of possible interferences above the tested levels E1,E2,E3 given by this standard (e.g. transmitters in surrounding area) before installing the equipment. Emission of the equipment complies with the standard EN55032 Electromagnetic compatibility of multimedia equipment – Emission Requirements according to class A.

2.Installation

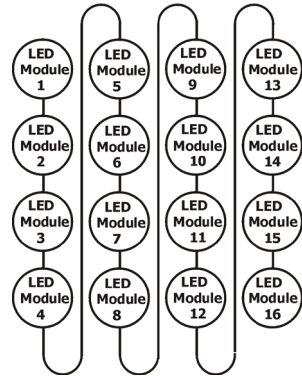
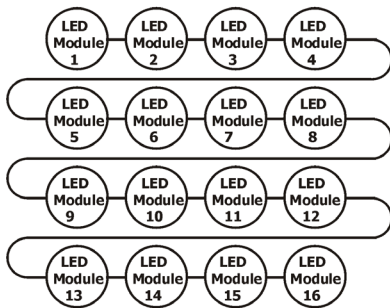
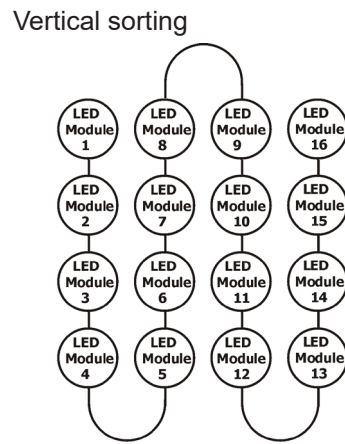
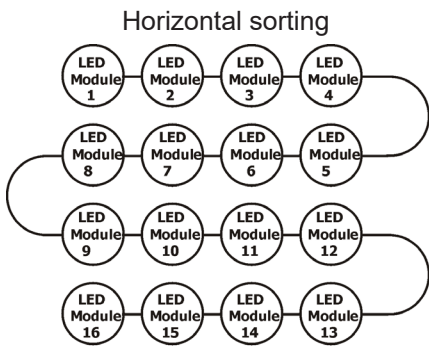
The ArcSource Outdoor 4 MC Pixel can be arranged in any position orientation. Three holes of diameter of 4.3mm in the ArcSource Outdoor's base serve for mounting on the non-flammable surface. The light head can be adjusted against the base in range of 120°. The ArcSource Outdoor 4 MC Pixel unit should be connected to the power supplies stated in the Technical Specifications. See their user manuals for full details of mains power requirements, DMX operation and installation. As the ArcSource Outdoor 4 MC Pixel is equipped with one input cable only, the T-connector Chogori has to be used for connecting ArcSource Outdoor 4 MC Pixel modules each other.

CAUTION!
Avoid looking directly into the LED light beam at close range!

The enclosed adapter stand (with M5x45 screw) allows to place light head higher:

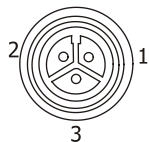


Use the following way for connecting of the ArcSource Outdoor 4 MC Pixel only (examples for matrix of 4x4):



3. Wiring of the ArcSource Outdoor 4 MC Pixel connector

Chogori CGRBB-03BMMA-SL8001 (male)



- 1 GND (blue wire)
- 2 +48V (red wire)
- 3 Data (orange wire)

4. Technical specifications

| | |
|--------------------------------|--|
| LED device: | Osram Ostar RGBW multichip |
| Max. current per colour: | 520 mA |
| Maximum power consumption: | 5.5 Watts/48V |
| Compatible power supply: | ArcPixel Power-CE, ArcPower Unit Pixel Rack Mount, ArcPower Unit Pixel Wall Mount, DRS |
| Available beam angles: | 7°, 24°, 35°, 7°x42°, 42°x 7° |
| Led life expectancy: | minimum 50.000 hours |
| Cooling system: | convection |
| Operating ambient temp. range: | -20°C/+45°C |
| Housing: | aluminium |
| Weight: | 0.62 kg |
| Mounting: | via 3 holes in the base |
| Protection factor: | IP 65 |
| Data cable: | Li9Y11Y, 2xAWG16+1xAWG 20 (length according requirement, standard 0.5m) |

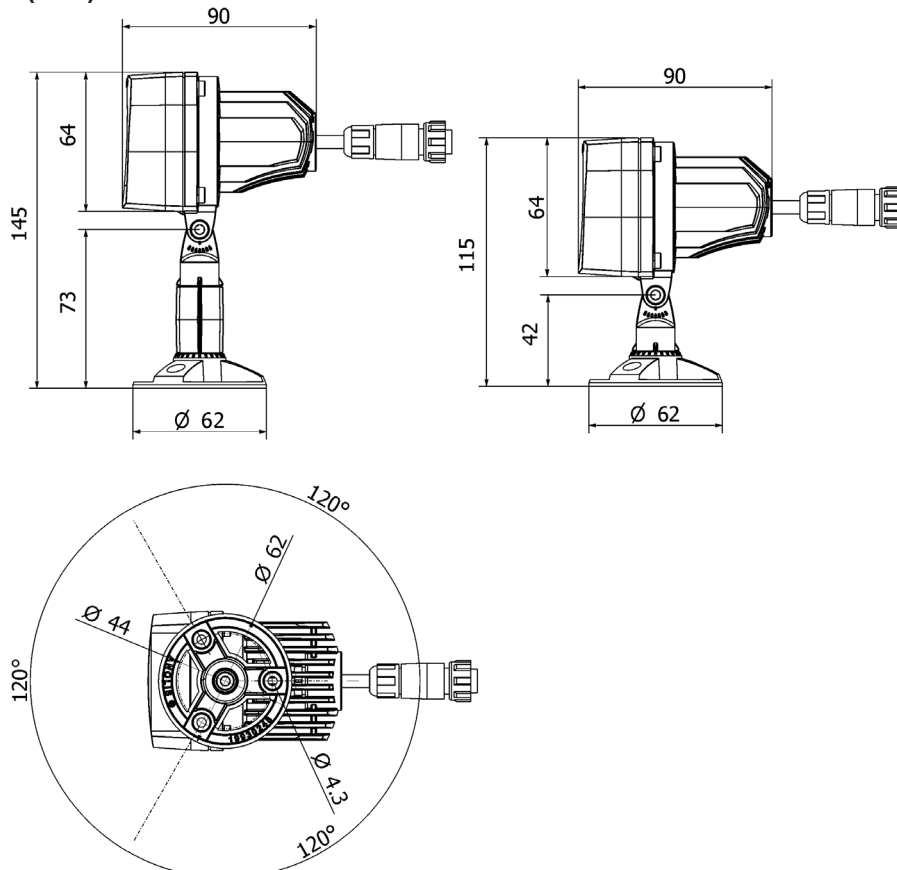
5. Accessories

- 1x Adapter stand (P/N 19730251)
- 1x Screw M5x45
- 1x Allen key 4

6. Optional accessories (quantity depends on size of installation)

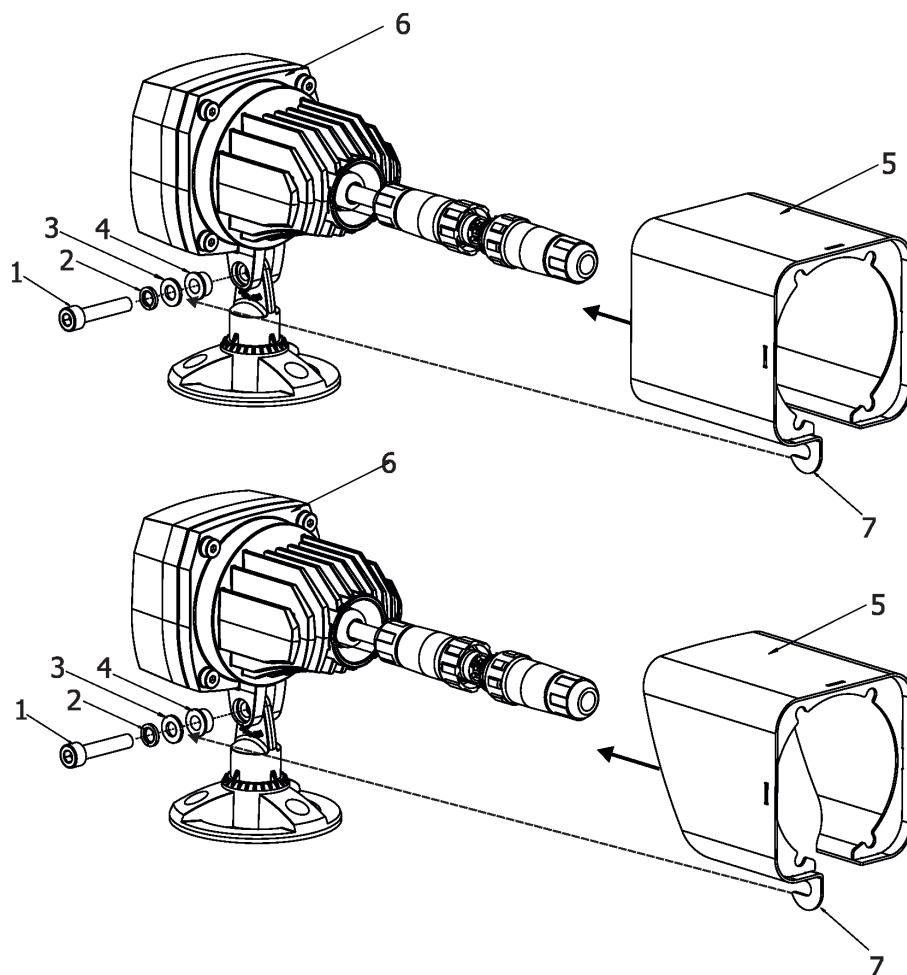
- (P/N 13051562) Connector Chogori CGRBB-03BMMA-SL8001 (male)
- (P/N 13051564) T-connector Chogori T-CGRBA-030303FFM-TS
- (P/N 13052784) Cable Connection DRS/RU Pixel (CGR-F/bare, 3pin, 1.5m)
- (P/N 13052738) Cable Connection DRS/RU Pixel (CGR-F/bare, 3pin, 0.2m)
- (P/N 1305 2023) Connection cable, 2m
- (P/N 1305 2024) Connection cable, 4m
- (P/N 1006 2330) Active Terminator for ArcDot
- (P/N 1006 2331) Passive Terminator for ArcDot
- (P/N 1305 1703) Ferrite GTFC 16-8-16
- (P/N 10980273) Top hat ArcSource Outdoor 4 MC
- (P/N 10980253) Half top hat ArcSource Outdoor 4 MC

6. Dimensions (mm)



7. Installing the top hat (half top hat)

1. Unscrew the Allen head screw (1) from the ArcSource Outdoor 4 MC housing.
2. Insert the distance part (4) into the housing of the ArcSource Outdoor 4 MC and place the top hat (half top hat) (5) on the housing (6).
3. Screw the Allen head screw (1) back to the housing with a spring washer (2) and flat washer (3). The small hook (7), which secures the top hat (half top hat) to the housing, has to be placed between the distance part (4) and the flat washer (3). Check the Allen head screw is fully tightened.



Version 1.8

December 12, 2019

Specifications are subject to change without notice.

Made in CZECH REPUBLIC by ROBE LIGHTING s.r.o. Palackeho 416/20 CZ 75701 Valasske Mezirici