

User instructions

ArcSource Outdoor 3/6/7

The products generate colored light by means of high power LEDs. The products were designed for exterior use and they are ideal for locations where signaling, directional or effect lighting is required.

1. Attention

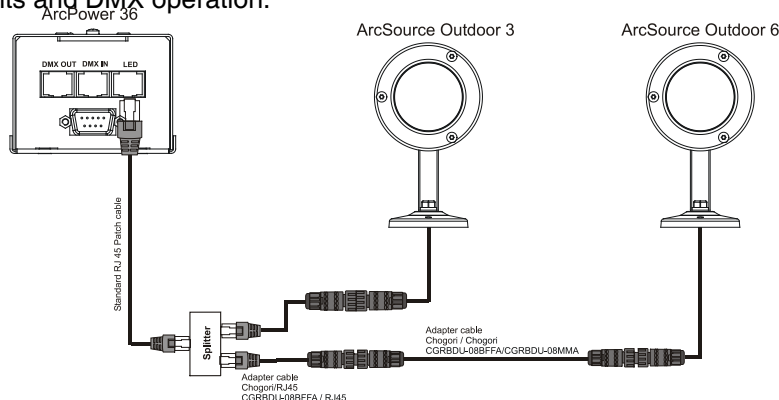
Consider the respective national norms during the installation!

- The unit is suitable for underwater installation up to depth of 5 m
- Do not install the unit near naked flames.
- Avoid using the unit in locations subject to possible impacts.
- Do not attempt to dismantle or modify the unit.
- Do not install the module in badly ventilated location
- Avoid looking directly into the LED light beam at close range.

2. Installation

The ArcSource Outdoor unit should be connected to the ArcPower driver according to the LED colour variant (RGB, WW, CW...).

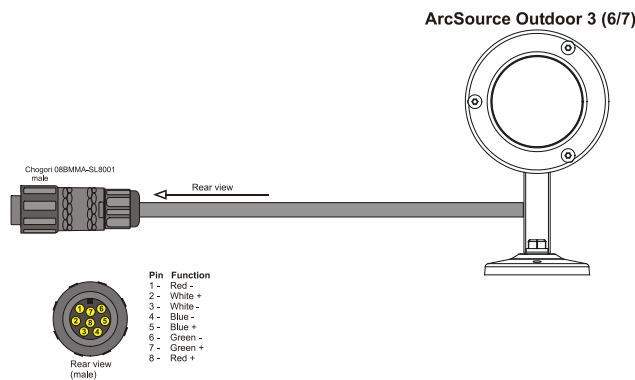
See the ArcPower 36 (72/144/360/16x6 or 384 Rack Mount) or its smartwhite variant for full details of mains power requirements and DMX operation.



The ArcSource Outdoor unit can be arranged in any position orientation. Spotlight body is mounted on a steel “U” bracket for “tilt” adjustment, with fixings which can be locked in position to retain the focus of the unit beam.

Connections:

1. ArcSource Outdoor 3/6/7



2. Adapter cable Chogori -RJ45 (it is not a standard part of delivery)



3. Adapter cable Chogori -Chogori (it is not a standard part of delivery)



Max. number of LED modules connected to one LED output of driver is the following:

Module (colour variant)	Total LEDs	Red LEDs	Green LEDs	Blue LEDs	Amber LEDs	Cool white LEDs	Warm white LEDs	Max.number of connected modules	Compatible power supplies
ArcSource Outdoor 3 RGB	3	1	1	1	-	-	-	12	ArcPower 36/72/144/360/16x6/384 R.M.
ArcSource Outdoor 3 CW	3	-	-	-	-	3	-	12	ArcPower SmartWhite 36/72/144
ArcSource Outdoor 3 WW	3	-	-	-	-	-	3	12	ArcPower SmartWhite 36/72/144
ArcSource Outdoor 3 R	3	3	-	-	-	-	-	12	ArcPower SmartWhite 36/72/144
ArcSource Outdoor 3 G	3	-	3	-	-	-	-	12	ArcPower SmartWhite 36/72/144
ArcSource Outdoor 3 B	3	-	-	3	-	-	-	12	ArcPower SmartWhite 36/72/144
ArcSource Outdoor 3 A	3	-	-	-	3	-	-	12	ArcPower SmartWhite 36/72/144
ArcSource Outdoor 6 RGB	6	2	2	2	-	-	-	6	ArcPower 36/72/144/360/16x6/384 R.M.
ArcSource Outdoor 6 WWRGB	6	1	1	1	-	-	3	4	ArcPower 36/72/144/360/16x6/384 R.M.
ArcSource Outdoor 6 CWRGB	6	1	1	1	-	3	-	4	ArcPower 36/72/144/360/16x6/384 R.M.
ArcSource Outdoor 6 CW	6	-	-	-	-	6	-	6	ArcPower SmartWhite 36/72/144
ArcSource Outdoor 6 WW	6	-	-	-	-	-	6	6	ArcPower SmartWhite 36/72/144
ArcSource Outdoor 6 R	6	6	-	-	-	-	-	6	ArcPower SmartWhite 36/72/144
ArcSource Outdoor 6 G	6	-	6	-	-	-	-	6	ArcPower SmartWhite 36/72/144
ArcSource Outdoor 6 B	6	-	-	6	-	-	-	6	ArcPower SmartWhite 36/72/144
ArcSource Outdoor 6 A	6	-	-	-	6	-	-	6	ArcPower SmartWhite 36/72/144
ArcSourceOutdoor 7 RGBCW	7	2	2	2	-	1	-	6	ArcPower 36/72/144/360/16x6/384 R.M.
ArcSourceOutdoor 7 RGBWW	7	2	2	2	-	-	1	6	ArcPower 36/72/144/360/16x6/384 R.M.
ArcSource Outdoor 7 CW	7	-	-	-	-	7	-	6	ArcPower SmartWhite 36/72/144
ArcSource Outdoor 7 WW	7	-	-	-	-	-	7	6	ArcPower SmartWhite 36/72/144
ArcSource Outdoor 7 R	7	7	-	-	-	-	-	6	ArcPower SmartWhite 36/72/144
ArcSource Outdoor 7 G	7	-	7	-	-	-	-	6	ArcPower SmartWhite 36/72/144

Module (colour variant)	Total LEDs	Red LEDs	Green LEDs	Blue LEDs	Amber LEDs	Cool white LEDs	Warm white LEDs	Max.number of connected modules	Compatible power supplies
ArcSource Outdoor 7 B	7	-	-	7	-	-	-	6	ArcPower SmartWhite 36/72/144
ArcSource Outdoor 7 A	7	-	-	-	7	-	-	6	ArcPower SmartWhite 36/72/144

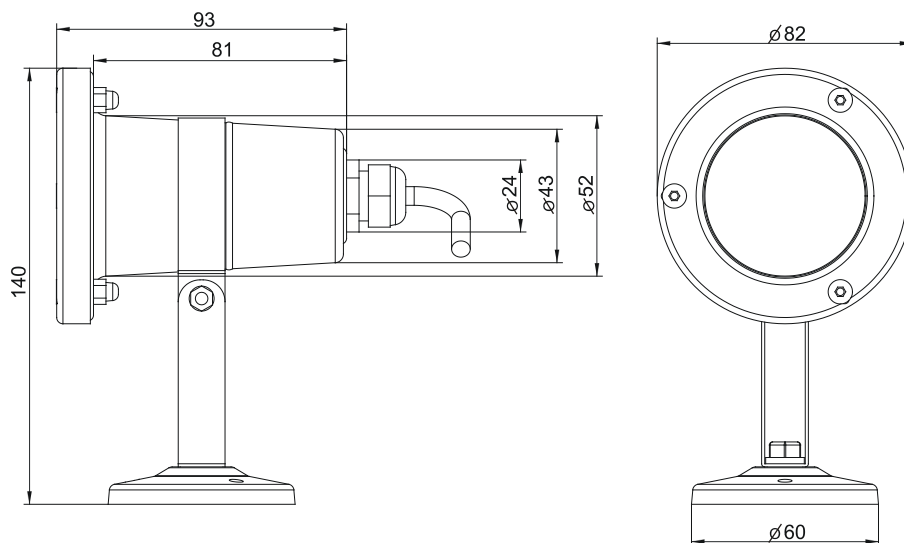
3. Technical specifications

Parameter	ArcSource Outdoor 3	ArcSource Outdoor 6	ArcSource Outdoor 7
Max input current:	350 mA	350 mA	350 mA
Maximum power consumption:	4.2 Watts	8.4 Watts	9.6 Watts
Comp. power supplies for RGB /WWRGB variant:	ArcPower 36/72/144/360/384 Rack Mount/16x6		
Comp. power supplies for WW/CW and single colour variant:	ArcPower SmartWhite 36/72/144		
Operating ambient temp.range:	-20°C/+30°C	-20°C/+30°C	-20°C/+30°C
Cooling system:	conduct. cooling system	conduct. cooling system	conduct. cooling system
LED device:	ProLight Opto Proeon	ProLight Opto Proeon	ProLight Opto Proeon
Number of LEDs	3	6	7
Beam angle (RGB, RGBW, sin. color):	11°, 19°, 21°, 27°	16°, 19°	16°, 19°
Beam angle (WW,CW,NW,SW):	15°, 24°, 27°, 30°	21°, 26°	21°, 26°
Typical Lumen maintenance:	70% @ 50,000 hours	70% @ 50,000 hours	70% @ 50,000 hours
LED life expectancy:	minimum 50,000 hours	minimum 50,000 hours	minimum 50,000 hours
LED colour variants *:	RGB,CW,WW,R,G,B,A	RGB,WWRGB,CWRGB,CW,WW,R,G,B,A	RGB,WWRGB,CWRGB,CW,WW,R,G,B,A
Colour temperature for WW/CW variant:	3300K/6500 K	3300K/6500 K	3300K/6500 K
Ingress Protection:	IP 68	IP 68	IP 68
Top flange shape	round	round	round
Construction:			
top flange	stainless steel	stainless steel	stainless steel
housing	stainless steel	stainless steel	stainless steel
"U" bracket & screws	stainless steel	stainless steel	stainless steel
transparent cover	tempered glass	tempered glass	tempered glass
Weight:	0.5 kg	0.6 kg	0.6 kg
Power /Data connection plug:	Chogori 08BMMA-SL8001	Chogori 08BMMA-SL8001	Chogori 08BMMA-SL8001
Power /Data connection cable:	LiYY 8xAWG22 UL Style 2517/CSA O.D. 6,70mm (for all variants)		

* RGB - red,green,blue;WWRGB - warm white,red,green,blue;CWRGB - cool white,red,green,blueR- red;G-green;B-blue;A-amber; CW-cool white;WW-warm white, SW-smart white, NW-neutral white

4. Dimensions

All dimensions are in mm



5. Accessories

- 1 x Splitter (No. 13050690)
- 1 x Connector Chogori CGRBDU-08BFFA (female), IP68

6. Optional Accessories

- Adapter cable CGRBDU-08BFFA/ CGRBDU-08BMMA, L=3m (No. 13051960), IP68
- Adapter cable CGRBDU-08BFFA/RJ45, L=0.25m (No. 13051966)
- T-connector Chogori 8-pin (No. 13051938), IP 67

7. Maintenance

- Periodically clean the front transparent cover, particularly if the unit is exposed to the weather. Use a moist, lint-free cloth. Never use alcohol or solvents!