

ArcDot™



Client: _____

Project: _____

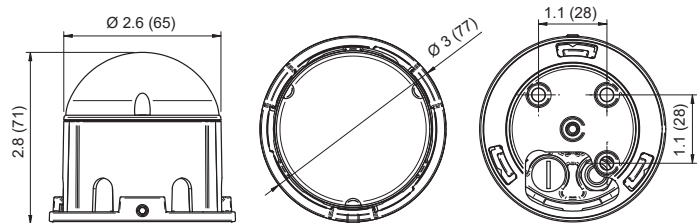
Speci er: _____

Type: _____ Qty: _____

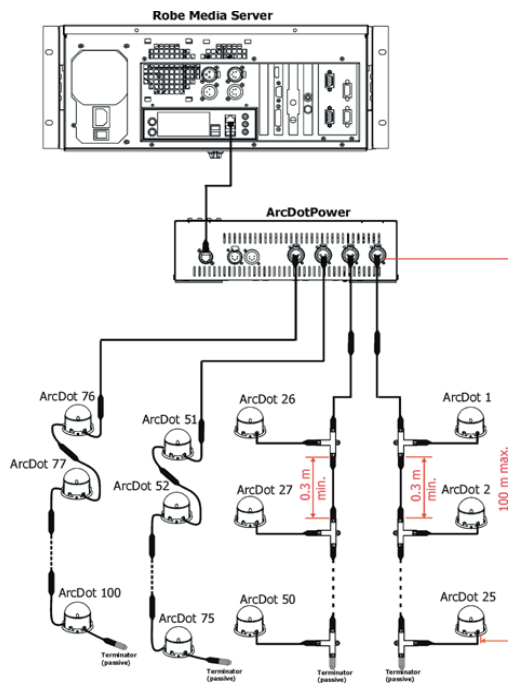


FEATURES:

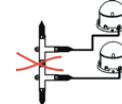
- Input Voltage: 48V DC Via ArcPixel Power
- Power consumption: 5.5W
- Light Source: 1 x MC LED's
- Delivered Lumen: 74lm
- Projected LED Life: 50,000 Hrs
- Control: DMX Controller - Media Server
- Housing: Cast Aluminium - Frosted Polycarbonate Cover
- Fixing Method: Fixing holes
- IP Rating: IP67
- Operating Ambient Temp: -20°C/+50°C (-4°F/+122°F)
- Certi cation: ETL / cETL, CE, RoHS
- 5 Year Warranty



Connection Scheme:



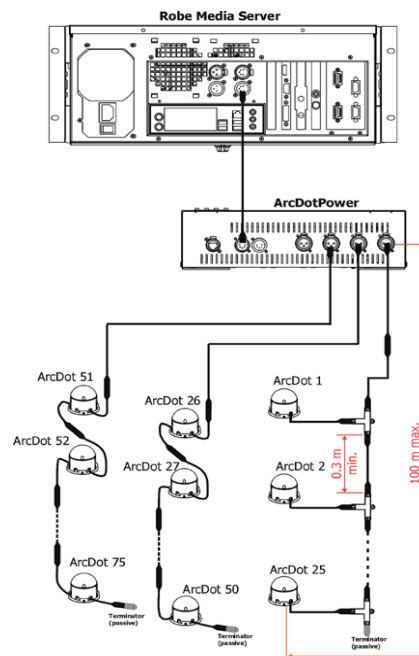
The minimum cable length of 0.3m between two T-connectors has to be kept in case that the pixel sorting is executed manually from the ArcDotPower menu.



This rule does not need to be kept if the Robe Media Server is used for pixel sorting
 Max. total length of cable depends on the number of ArcDots connected to the ArcDotPower (100 m @ 25 ArcDots, 65 m @ 35 ArcDots per output).

Every ArcDot line has to be terminated with the passive terminator!

Note: If DMX is used for control of the ArcDot Power, the LED outputs 1-3 may be used only (LED output load is the same as in case of control by Artnet - typically 25 LED modules, max 35 LED modules and 100 modules max. load of ArcDotPower).



Every ArcDot line has to be terminated with the passive terminator!

Accessories:



Connector
CGRBB-03BMMMA-SL8001
Male



Connector
CGRBB-03BFFFA-SL8001
Female



Connector
T - CGRBA (3 Pin)



Terminator
Active for ArcDot



Terminator
Passive for ArcDot

Cable Connection ArcDot 1m
Cable Connection ArcDot 5m
Cable Connection ArcDot 10m
other lengths on request



Product Specification:

Electrical	Input Voltage		48V DC
	Power Consumption		5.5W
Optical	Light Source		1 x MC High Power LED
		RGBW	W = CW6500K
		PW	3200 - 6500K
		SW	2700-6500K
	LED Channel		RGBW, Smart White, Pure White
	Beam Angle		Non Optic
Projected Lumen Maintenance		50,000 hrs (L70@ 25°C / 77°F)	
Control	Wireless DMX (Optional Accessory)		N/A
	Control System		Media Server
	Power Supply		ArcPixel Power
	Stand Alone Control		N/A
Physical	Width x Height	Inches	ø3.03 x 2.64
		mm	ø77 x 67
	Weight	lbs	0.44
		kg	0.2
	Housing		Cast Aluminium Frosted Polycarbonate Cover
	Fixture Cable and Connections		Li9YCHY - 3xAWG16+1 (2xAWG24) - Chogori IP68 Connector
	Fixing Method		Mounting Back Plate
	Adjustability		N/A
	IP Rating		IP67
	IK Rating		IK08
	Cooling System		Convection
	Operating Ambient Temperature		-20°C / +50°C (-4°F / +122°F)
	Operating Temperature		+35°C @ Ambient +25°C (+95°F @ Ambient +77°F)
Certification	Listings		ETL / cETL, CE, RoHS

Subject to change without notice - please contact Anolis for clarification

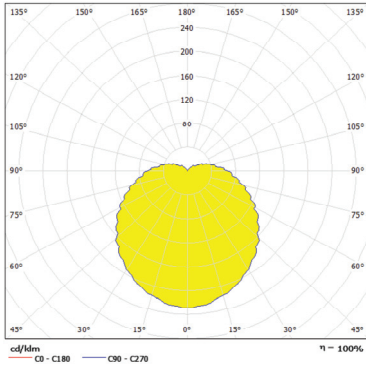
Accessories	Description
	Cable Connection ArcDot 2.5m
	Cable Connection ArcDot 20m
	Cable Connection ArcDot 25m
	Cable Connection ArcDot 2m
	Cable Connection ArcDot 30cm
	Cable Connection ArcDot 4m
	Cable Connection ArcDot 88m
	<i>other lengths on request</i>
	Terminator Active for ArcDot
	Terminator Passive for ArcDot
	Connector CGRBB-03RMMA-SC8001 (connector Male)
	Connector CGRBB-03BFFA-SL8001 (connector Female)
	Connector T- CGRBA-030303FFM-TS (T-connector)



Photometric Data:

For foot Candles divide lux by 10.7

Standard - Non Optic



Distance [m]	Cone Diameter [m]	E(0°) E(C0)	lm
0.5	2.24	65.9°	2
1.0	4.47	65.9°	1
1.5	6.71	65.9°	0
2.0	8.94	65.9°	0
2.5	11.18	65.9°	0
3.0	13.41	65.9°	0

Distance [m] Cone Diameter [m] Illuminance [lx]
 L0 - L1.00 (Half-Value Angle: 1.11.0°)

Total Luminous Flux: 74lm