

ArcCove tm



Client: _____

Project: _____

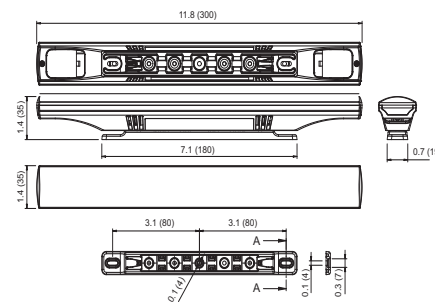
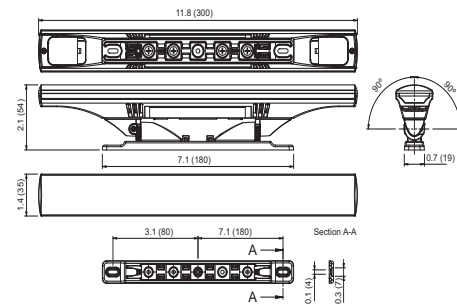
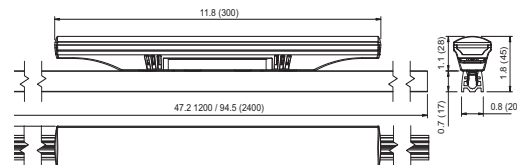
Specifier: _____

Type: _____ Qty: _____

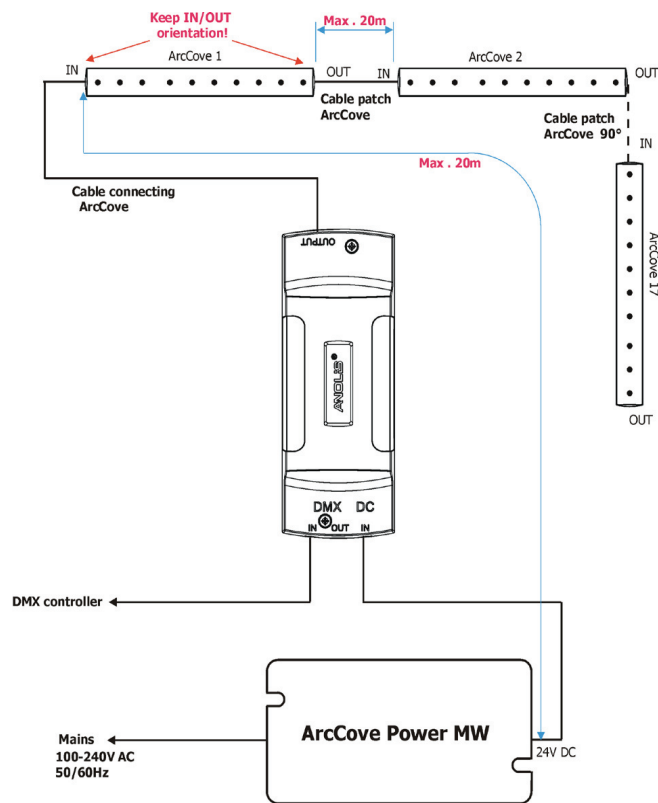


FEATURES:

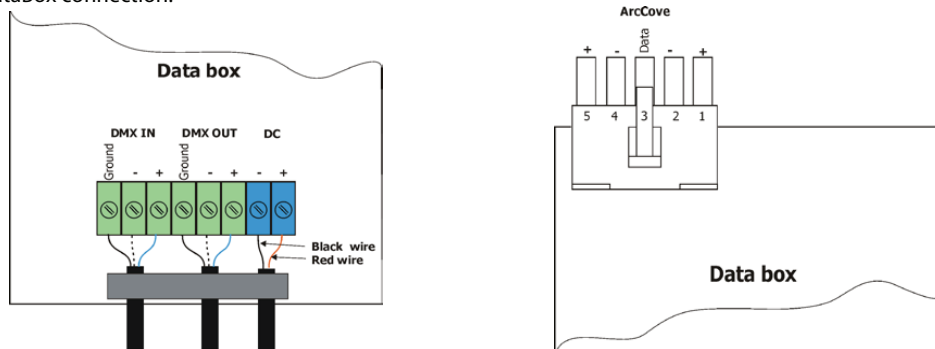
- Input Voltage: 24V DC Via ArcCove Power
- Power consumption: STD=5W - HIGH=10.8W
- Light Source: 10 x MC LED's
- Delivered Lumen: STD=95lm - HIGH=171lm
- Projected LED Life: 50,000 Hrs
- Lumen Output Per Foot: 95lm Std - 171 High Power
- Effect: Pixel control (2 segments of 5 LED's)
- Control: DMX Controller
- Housing: Moulded plastic and Transparant cover
- Fixing Method: Fixing holes or Mounting Rail
- IP Rating: IP2X
- Operating Ambient Temp: -20°C/+40°C (-4°F/+104°F)
- Certification: ETL / cETL, CE, RoHS
- 5 Year Warranty



Connection Scheme:



DataBox connection:



Accessories:



Patch Cable 10cm



Patch Cable 30cm
other lengths on request

Product Specification:

Electrical	Input Voltage		24V DC
	Power Consumption		Standard Mode=5W - High Output Mode=10.8W
Optical	Light Source		10 x RGB MC LED's
		RGB	
		PW	2700K, 6500K
		SW	2700K-6500K
	Colour Variants		RGB, Pure White, Smart White
Beam Angle		Non Optic	
Projected Lumen Maintenance		50,000 hrs (L70@ 25°C / 77°F)	
Control	Wireless DMX (Optional Accessory)		N/A
	Control System		ArcCove DataBox
	Power Supply		ArcCove Power
	Stand Alone Control		N/A
Physical	Width x Height x Depth	Inches	11.81 x 1.38 x 2.14, 1.77, 1.38
		mm	300 x 35 x 54.3, 45, 35
	Weight	lbs	0.33
		kg	0.16
	Housing		Moulded Plastic and Transparent Cover
	Fixture Cable and Connections		5 Wire Flat Ribbon Cable: UL2468 AWG 18/5C - In and Out Connectors
	Fixing Method		Standard / Low Profile / Rail
	Adjustability		+/-90°
	IP Rating		IP2X
	IK Rating		IK**
	Cooling System		Convection
	Operating Ambient Temperature		-20°C / +40°C (-4°F / +104°F)
Operating Temperature		+65°C @ Ambient +40°C (+149°F @ Ambient +104°F)	
Certification	Listings		ETL / cETL, CE, RoHS

Supplied in Kit form consisting of 17 x ArcCoves + 1 x ArcCove Power and 1 x ArcCove Data Box

Subject to change without notice - please contact Anolis for clarification

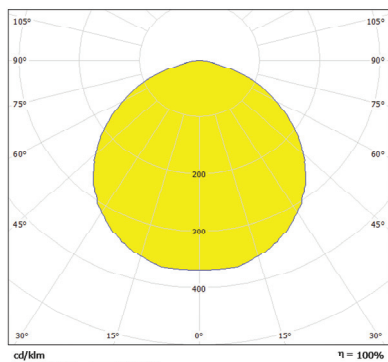
Accessories	Description
	Allen Key (Included)
	R12 - 1.2m Rail
	R24 - 2.4m Rail
	C15 - Cable Patch 15cm
	C12 - Cable Patch 90°
	C1 - Cable 1m
	C2 - Cable 2m
	C5 - Cable 5m
	C10 - Cable 10m



Photometric Data:

For foot Candles divide lux by 10.7

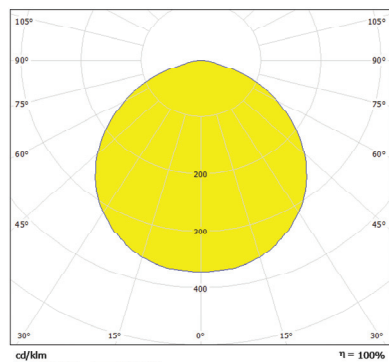
Standard Power - Non Optic



Distance [m]	Cone Diameter [m]	E(P) [°]	E(CO) [°]	Beam Angle [°]	Illuminance [lx]
0.5	1.42	54.8°	54.8°	109.0°	140
1.0	2.84	54.8°	54.8°	109.0°	35
1.5	4.25	54.8°	54.8°	109.0°	16
2.0	5.67	54.8°	54.8°	109.0°	9
2.5	7.09	54.8°	54.8°	109.0°	6
3.0	8.51	54.8°	54.8°	109.0°	4

Total Luminous Flux: 95lm

High Power - Non Optic



Distance [m]	Cone Diameter [m]	E(P) [°]	E(CO) [°]	Beam Angle [°]	Illuminance [lx]
0.5	1.40	54.5°	54.5°	109.0°	284
1.0	2.80	54.5°	54.5°	109.0°	69
1.5	4.21	54.5°	54.5°	109.0°	28
2.0	5.61	54.5°	54.5°	109.0°	16
2.5	7.01	54.5°	54.5°	109.0°	10
3.0	8.41	54.5°	54.5°	109.0°	7

Total Luminous Flux: 171lm