

ArcSource 24MC Recessed TM



Client: _____

Project: _____

Specifier: _____

Type: _____ Qty: _____

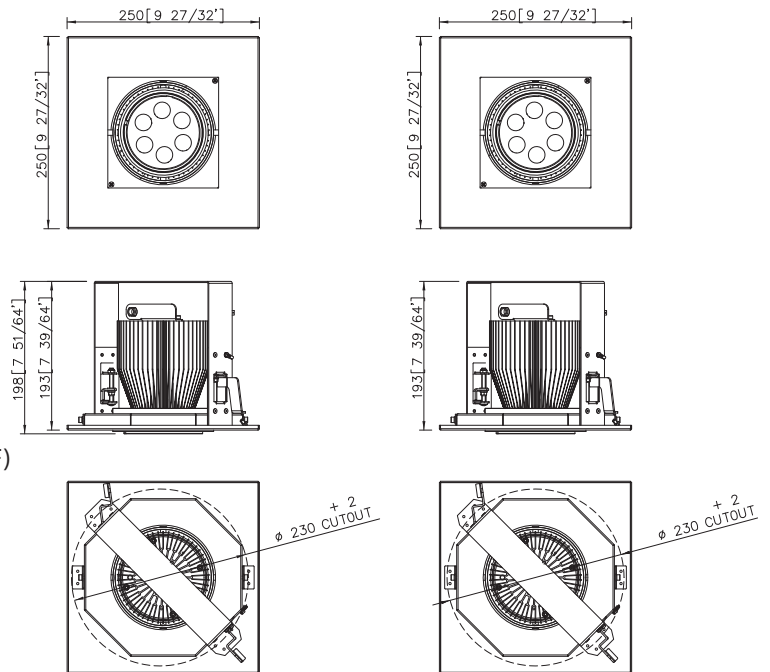


FEATURES:

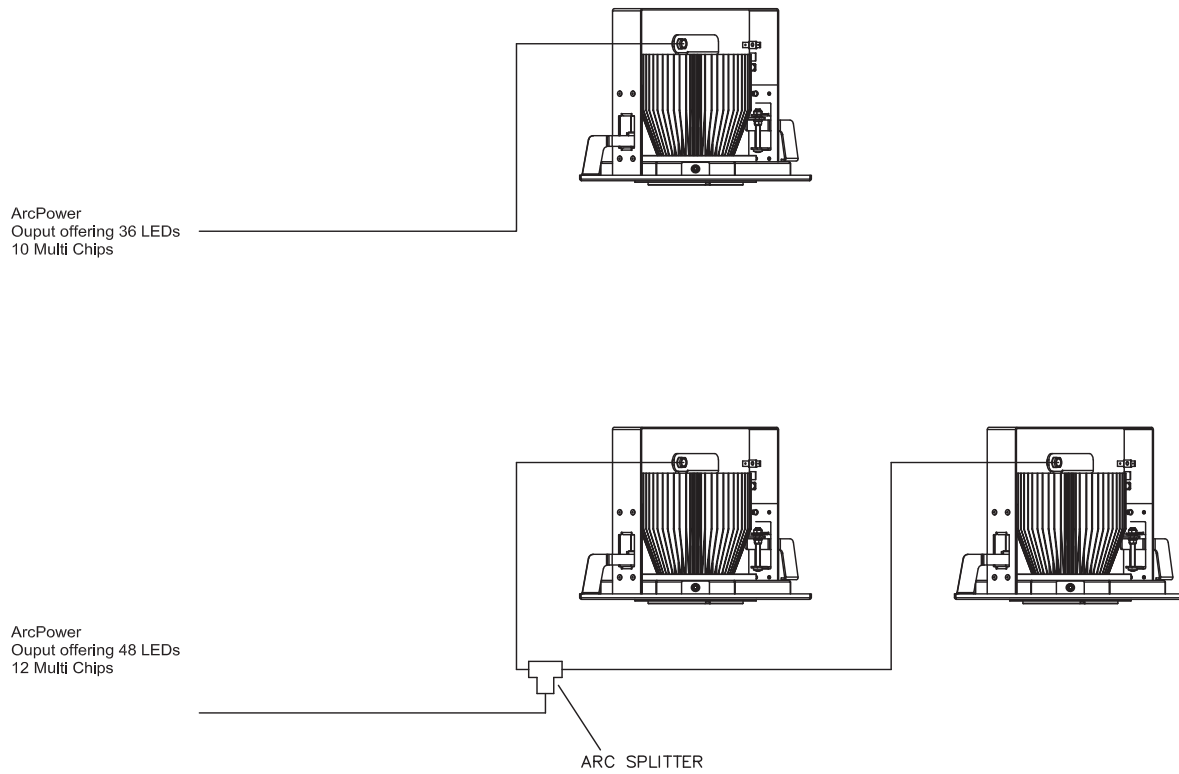
- Input Voltage: 48V DC
- Power consumption: 28W @ 350mA
- Light Source: 6 x 15W MC LED's
- Delivered Lumen: TBC
- Projected LED Life: 50,000
- Housing: Precision Turned Aluminium
- Mounting Method: Mounting Trim Kit
- IP Rating: IP2X
- Operating Ambient Temp: -20°C/+40°C (-4°F/+104°F)
- Certification: ETL / cETL, CE, RoHS
- 5 Year Warranty

Fixture

Trim Kit



Connection Scheme:



Product Specification:

Electrical	Input Voltage		48V		
	Power Consumption		28W		
Optical	Light Source		6 x 15W MC LED's		
		RGBW	W = CW-6500K or NW-4000K		
		PW	STD (3000K, 6500K) Optional (2700K, 3500K, 4000K, 5000K,5700K)		
		SW	TBC		
	LED Channels		Red/Green/Blue/White, PureWhite, Smart White		
Beam Angle		20°, 35°			
Projected Lumen Maintenance		50,000 hrs (L70@ 25°C / 77°F)			
Control	Interface Protocol		DMX512		
	Wireless DMX (Optional Accessory)		Lumen Radio CRMX Technology		
	Control System		Anolis Lighting Controls or any Third Party DMX512 Controllers		
	Power Supply		ArcPower Range		
	Stand Alone Control		No		
Physical	Width x Height x Depth	Inches	9.84, 7.6, 9.84 Including Trim		
		mm	250, 193, 250 Including Trim		
	Weight		LED Module	Trim	
		lbs	3.3	3.3	
		kg	1.5	1.5	
	Housing		Precision Turned Alluminium Glass Cover		
	Fixture Cables and Connections		24 AWG x 4P Cat5 Cable - 1.5m (4.92ft) - RJ45		
	Fixing Method		Mounting Trim Kit		
	Adjustability		Tilt 15°		
	IP Rating		IP2X		
	Cooling System		Convection		
	Operating Ambient Temperature		-20°C / +40°C (-4°F / +104°F)		
	Operating Temperature		TBC		
Listings		ETL / cETL, CE, RoHS			
Certification					

Subject to change without notice - please contact Anolis for clarification

Accessories	Description
	Mounting Trim Kit (Included)

