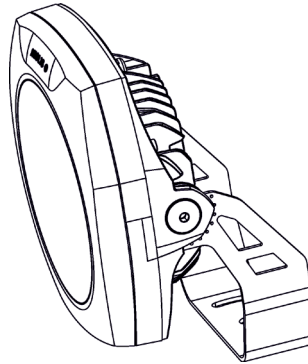


User instructions

ArcSource Outdoor 48 MC

The product generates colored light by means of high power LEDs. The product was designed for exterior use and it is ideal for locations where signaling, directional or effect lighting is required.



1. Attention

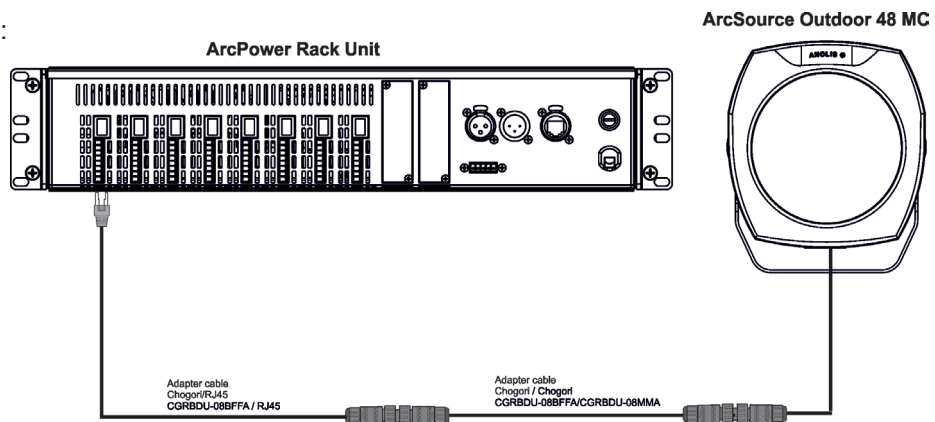
Consider the respective national norms during the installation!

- Do not install the unit near naked flames.
- Avoid using the unit in locations subject to possible impacts.
- Do not attempt to dismantle or modify the unit.
- Do not install the module in badly ventilated location
- Avoid looking directly into the LED light beam at close range.

2. Installation

The ArcSource Outdoor 48 MC unit should be connected to the ArcPower 48 Outdoor, ArcPower 192 Outdoor ArcPower Rack Unit or ArcZone DRS. See their user manuals for full details of mains power requirements and DMX operation.

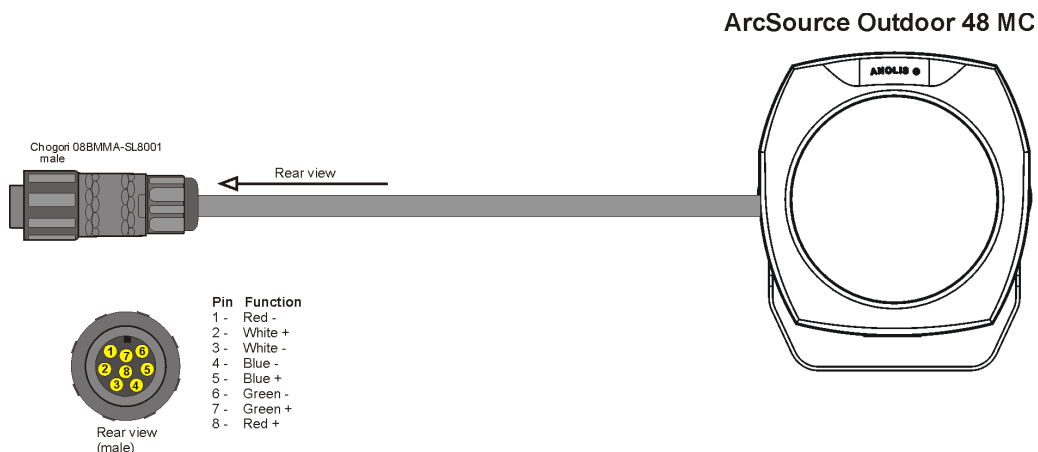
Example of installation:



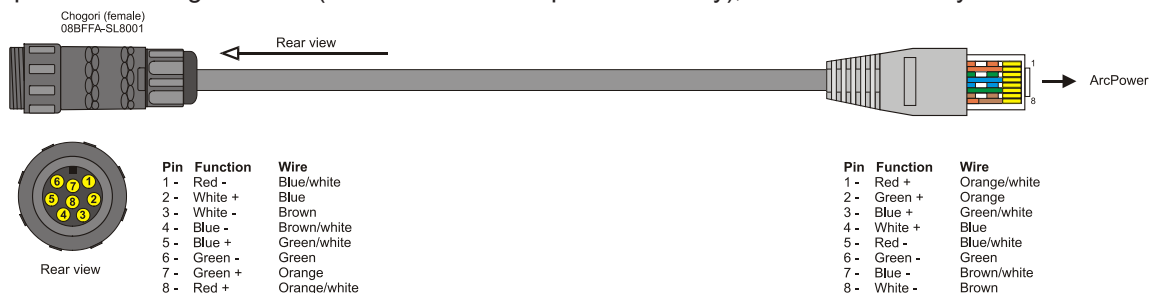
Only one ArcSource Outdoor 48 MC unit can be connected to one LED output of the ArcPower driver (ArcZone).

Connections:

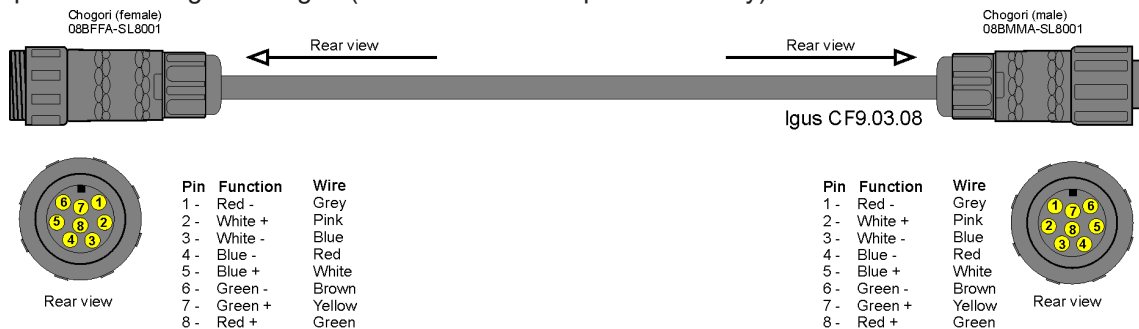
1. ArcSource Outdoor 48 MC



2. Adapter cable Chogori/ RJ45 (it is not a standard part of delivery), for indoor use only

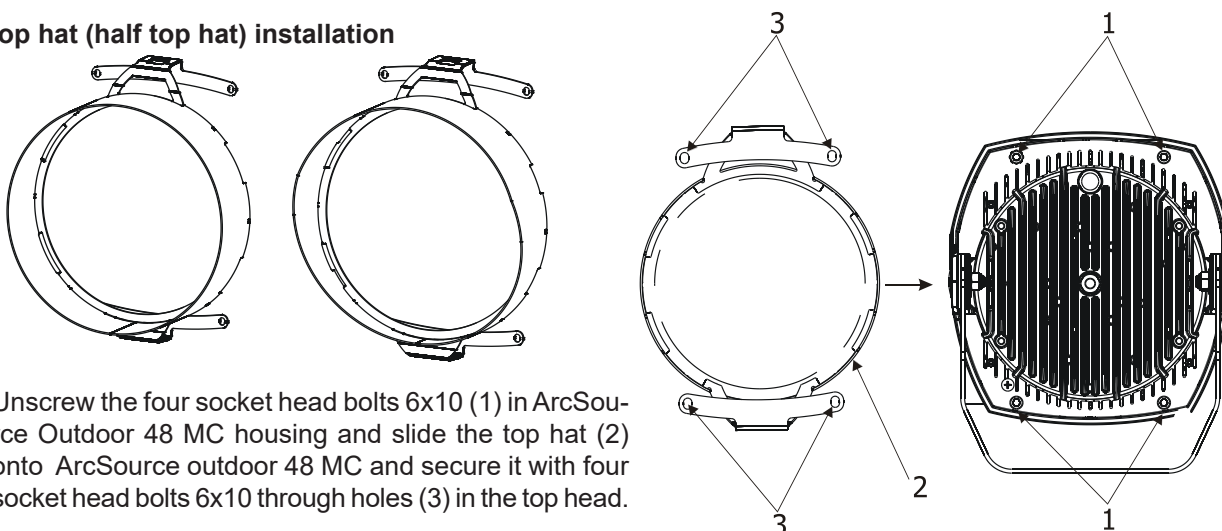


3. Adapter cable Chogori -Chogori (it is not a standard part of delivery)



The ArcSource Outdoor unit can be arranged in any position orientation. LED module body is mounted on a steel "U" bracket for "tilt" adjustment, after adjusting desired inclination, secure the LED module body by means of the Allen key 8. For fastening the unit on the wall (truss etc) serves 3 apertures in the U-bracket .

Top hat (half top hat) installation

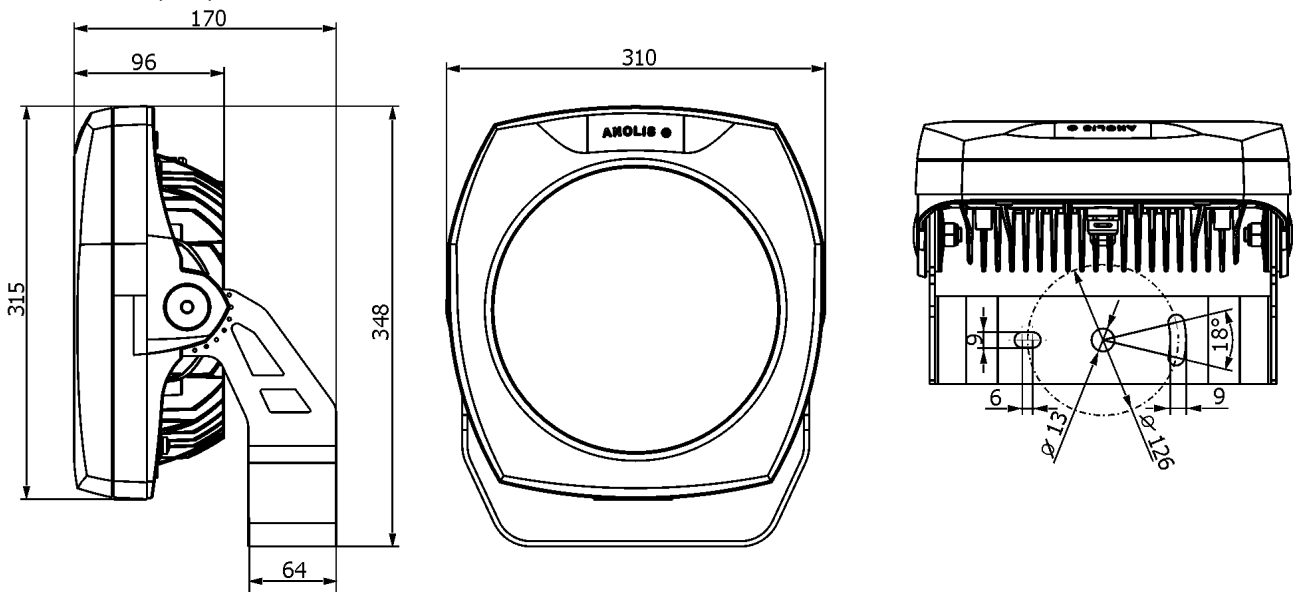


Unscrew the four socket head bolts 6x10 (1) in ArcSource Outdoor 48 MC housing and slide the top hat (2) onto ArcSource outdoor 48 MC and secure it with four socket head bolts 6x10 through holes (3) in the top head.

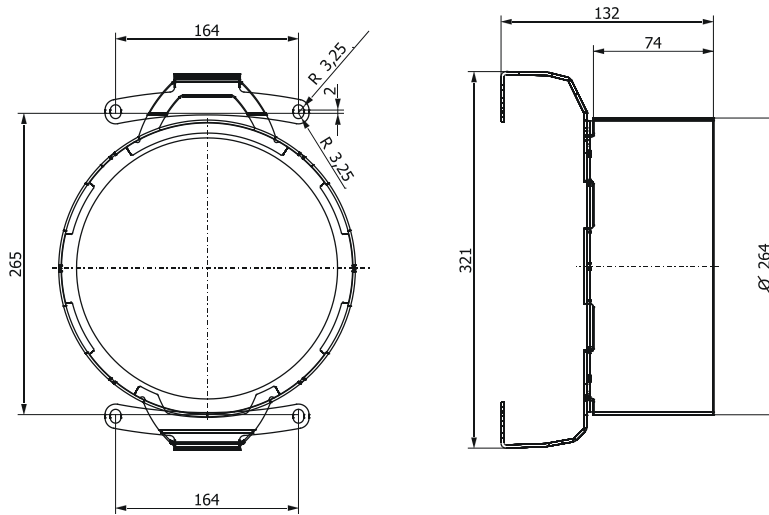
3. Technical specifications

Max input current (per colour):	700 mA
Maximum power consumption:	120 Watts (at 700mA)
Comp. power supplies:	ArcPower 48 Outdoor, ArcPower 192 Outdoor, ArcPower Rack Unit , ArcZone DRS
Surface temperature:	75°C@+40°C
Operating ambient temp.range:	-20°C/+40°C
Cooling system:	convection
LED device:	Cree MC-E
Number of RGBW multichips:	12
Beam angle:	11°, 26°, 36°
Projected Lumen maintenance:	120,000 hrs (L70@ 25°C / 77°F)
Protection factor:	IP 67
Construction:	
Body+ "U" bracket	High-pressure die cast aluminium
transparent cover	tempered glass
LED connection plug:	Chogori 08BMMMA-SL8001 (male)
LED connection cable:	LiYY 8xAWG22 UL Style 2517/CSA O.D. 6,70mm
Weight:	8.3 kg

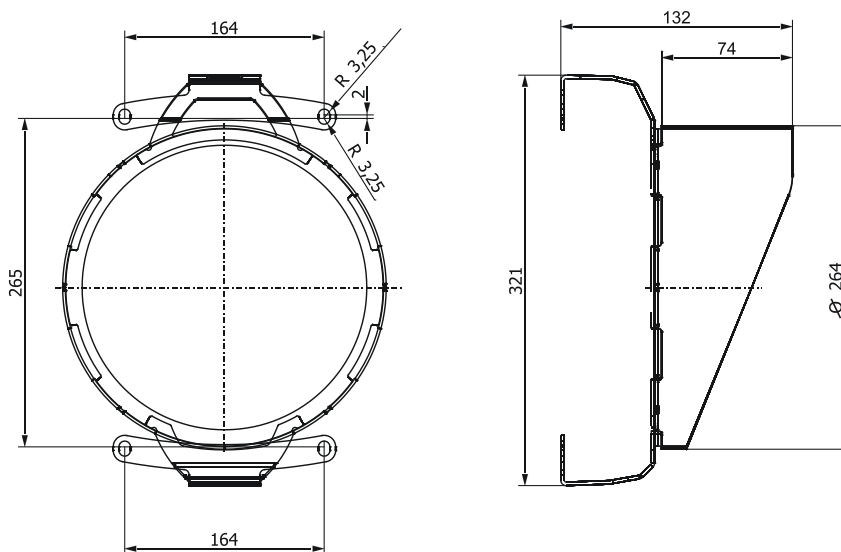
Dimensions (mm)



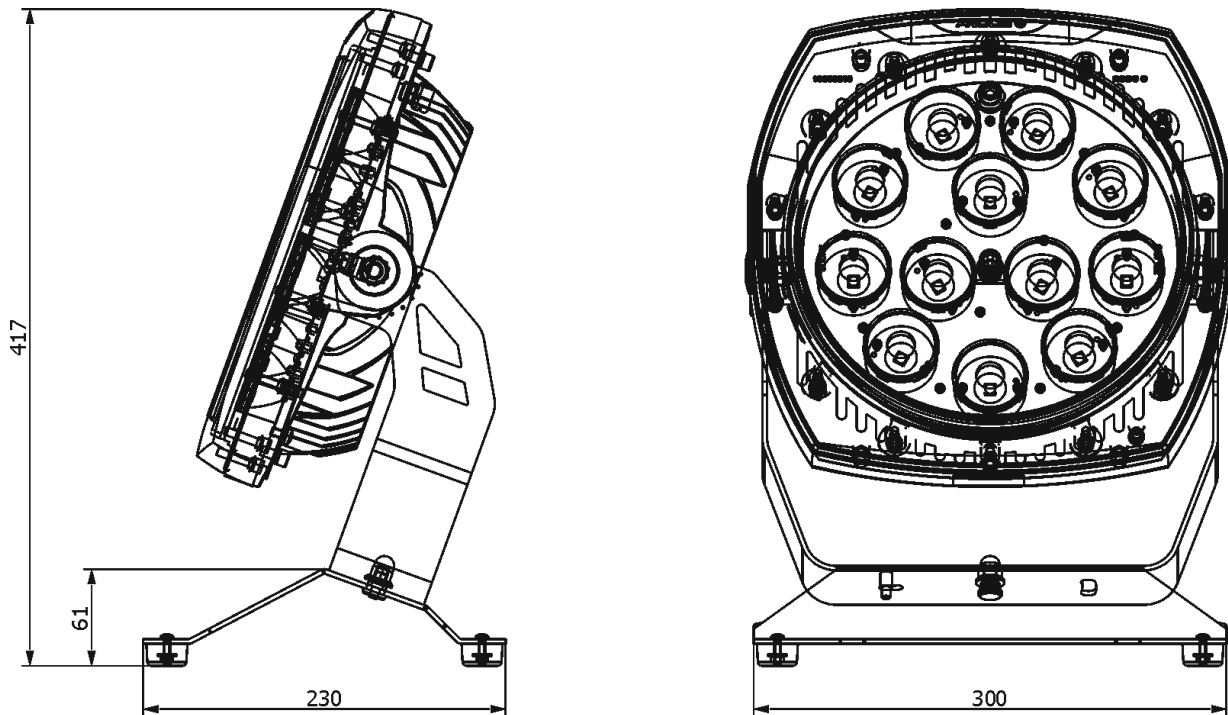
Top hat



Half top hat



Floor stand



4. Accessories

1x Connector Chogori CGRBDU-08BFFA , IP67

5. Optional Accessories

- (P/N. 13051960) Adapter cable CGRBDU-08BFFA/ CGRBDU-08BMMA, L=3m, IP67
- (P/N. 13051966) Adapter cable CGRBDU-08BFFA/RJ4 RJ45, L=0.25m, for indoor use only
- (P/N. 10980173) Top Hat ArcSource Outdoor 48 MC
- (P/N. 10980174) Half Top Hat ArcSource Outdoor 48 MC
- (P/N. 1098 0176) Floor stand for ArcSource Outdoor 48 MC
- (P/N 10980327) Pole Clamp for ASO 16/24/48MC, 63-80mm
- (P/N 10980328) Pole Clamp for ASO 16/24/48MC, 80-105mm
- (P/N 10980331) Tenon Adaptor for ASO 16/24/48MC 64-80mm
- (P/N 10980332) Tenon Adaptor for ASO 16/24/48MC 80-106mm
- (P/N 10980334) Land Spike for ASO 16/24/48MC

Version 2.1

July 26, 2018

Specifications are subject to change without notice

Made in ROBE Lighting s.r.o., Palackého 416, 757 01 Valašské Meziříčí, Czech Republic