

**5 YEAR  
WARRANTY**  
ANOLIS



Leading Lighting Solutions

# PRODUCT GUIDE

2018





**ANOLIS** was established to design and manufacture high-quality LED lighting products.

Since its conception, ANOLIS has gone from strength to strength, producing a constantly expanding range of products with a well balanced mix of innovation, imagination and experience. This, together with state-of-the-art lighting technology, has created a market leading range.

Reliability is the first priority. ANOLIS uses only the best components and precision manufacturing techniques, ensuring that the brand offers all the benefits associated with LED lighting: extreme efficiency, long life, low maintenance and low heat.

By combining these characteristics with industry-standard dimensions and flexible control options, true specifier-class lighting systems can be created.

ANOLIS products can be seen in a wide variety of applications worldwide, and is embraced by many market sectors including architectural, commercial, industrial, transport, retail, domestic and entertainment lighting.

From discreet white colour-controlled accent lighting to full RGBW building illumination, ANOLIS products present lighting designers and architects with creative solutions for the most demanding client requirements.

All ANOLIS products meet the relevant product directives and bear the CE mark. Most also bear the ETL mark, and approval for the remaining products is currently pending.

Maintaining a close working relationship with the leading component manufacturers ensures that ANOLIS stays at the forefront of the ever-evolving LED market. New technologies are constantly allowing higher output and greater efficiency which continues to open up new market opportunities.

**ANOLIS is the professional choice - both now and for the future.**

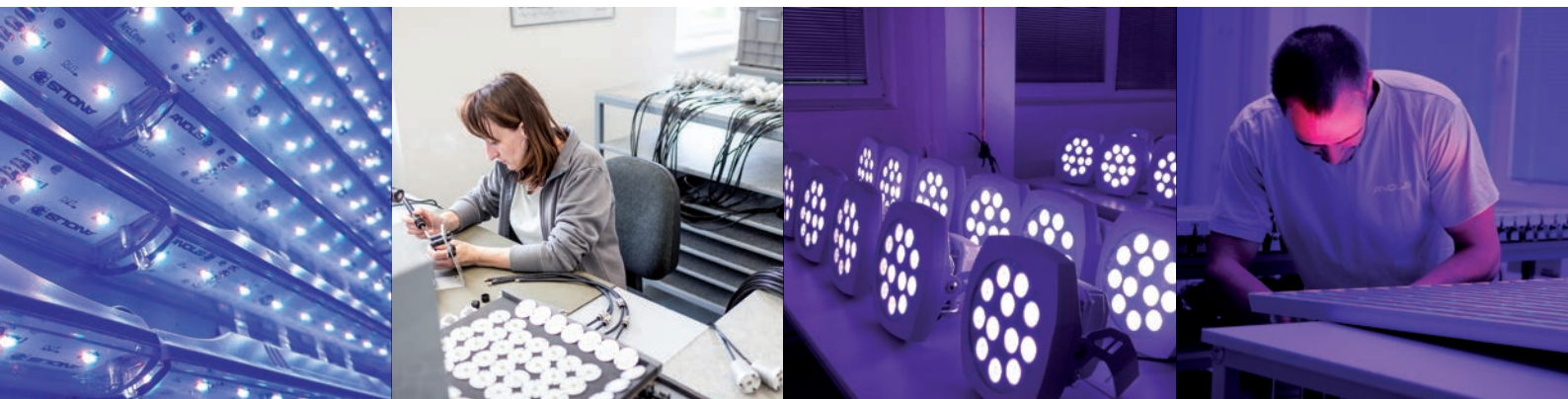


## ANOLIS ADVANTAGES

As the global LED lighting market is currently growing at a phenomenal rate, there are many choices for today's lighting designers and installers. When considering LED lighting, it is important to choose a manufacturer who can provide the quality of both the product and level of service to ensure the required results are achieved. Anolis is able to offer the highest quality of product, supported by a global distribution network to ensure service levels to match.

- Anolis manufactures all of its LED products from the highest quality components available. Working closely with the world's leading component suppliers ensures the reliability and consistency required by today's wide range of lighting projects.
- Anolis LED products are designed, tested and manufactured at our state of the art European manufacturing facility in the Czech Republic. Complete control over all stages of the manufacturing process combined with a vigorous testing process ensures the highest level of quality control, giving designers and specifiers the confidence to choose Anolis.
- Keeping all stages of the manufacturing process in house allows Anolis to respond rapidly to custom products. The in-house Design and R&D team are able to work closely with clients to produce custom designed products for the most challenging projects.
- Anolis is able to offer a complete LED solution manufacturing both LED luminaries as well as the LED drivers and controllers ensuring a matched system is available for the widest range of applications.
- Anolis custom software is utilized in all Anolis drivers to constantly monitor LED performance, drive currents continually adjusted to ensure optimum performance of LEDs ensuring the maximum benefits of LED technology are achieved at all times.
- Anolis products are covered by all relevant technology patents, meaning they can be specified with the utmost confidence.
- Anolis products meet or exceed internationally recognized standards including CE, \*ETL/UL, and SELV giving peace of mind to designers, specifiers and installers.

\* (Anolis is continually developing its product range therefore please check individual products for conformity)





## ANOLIS LED GREEN STATEMENT

Governments and lighting professionals worldwide all agree that the recent advances in LED technology hold tremendous potential to conserve energy on a global scale.

Until recently LED light sources have been restricted to specialty applications, due to their poor overall light output however LEDs have progressed greatly and are now able to compete with conventional lighting technology in virtually all applications.

Today's advanced LED lamp sources are often capable of being five or more times as efficient than incandescent and halogen lamp sources, and exceed the efficiency of most fluorescent technologies. LED based technology continues to be the fastest developing technology within the lighting industry.

It is not only low power consumption that makes LED lighting environmentally acceptable. Generally they have much longer lifetimes than conventional sources which translates to lower maintenance and replacement costs meaning less waste as they are inherently free of mercury and other harmful elements. In short, low voltage energy efficient LED lighting systems help lighting professionals make ecologically-sound design choices today, while promising to have a greater positive impact on the future environment.

Currently it is estimated that up to 20% of global electricity production is consumed by lighting! LED lighting technology offers lighting specifiers, designers and architects the ability to make a real difference for tomorrow.

Government directives have already been introduced around the world effectively beginning the phasing out of inefficient incandescent and halogen light sources. NOW is the time to choose LED lighting solutions.





**Somerset House - London, The United Kingdom**

Photo credit: David Morrell

# Divine ArcPad ArcSource Integral

Divine™ 160 RGBW, PW, SW ▶ **Pg. 8**



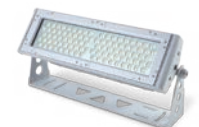
Divine™ 60 UV ▶ **Pg. 9**



ArcPad™ Xtreme ▶ **Pg. 10**



ArcPad 94™ Integral ▶ **Pg. 11**



ArcPad™ 48 ▶ **Pg. 12**



ArcPad™ 48 Integral ▶ **Pg. 13**



ArcSource™ 96 Integral ▶ **Pg. 14**



ArcPad™ Zoom 48MC ▶ **Pg. 15**





# Divine™ 160 RGBW, PW, SW

The Anolis Divine™ 160 is a high-performance 440W luminaire with phenomenal light output that can be used for a variety of architectural lighting scenarios including the application of dynamic colour changing effects to building exteriors and façades, or illuminating complete areas with subtle CCT controllable white light. The Divine™ is available in numerous configuration options including optics for flood or accent lighting. RGBW, SmartWhite or PureWhite in a variety of colour temperatures combined with different mounting options and accessories make Divine™ a truly flexible solution.



## TECHNICAL SPECIFICATIONS:

### ELECTRICAL

Input Voltage 100-277V AC 50/60 Hz  
 Typical Power Consumption 440W +/-10%  
 In Rush Current 20A Cold start, 25 °C ambient, full load 115 VAC;  
 30A Cold start, 25 °C ambient, full load 230 VAC

### OPTICAL

Light Source 40 x Multichip LEDs  
 Colour Variants RGBWW (WW-3200K), RGBNW (NW-4000K), RGBCW (CW-6500K),  
 PW (2700K, 4000K, 6600K), SW (2700-8200K)  
 Red/Green/Blue/White, Pure White, Smart White  
 Beam Angle RGBW: 16°, 24°, 41°  
 PW, SW: 13°, 25°, 39°  
 Lumen Output Delivered 11836lm (RGBCW 16° CW-6500K, all LEDs on full)  
 Projected Lumen Maintenance 60,000 hrs (L70@ 25°C / 77°F)

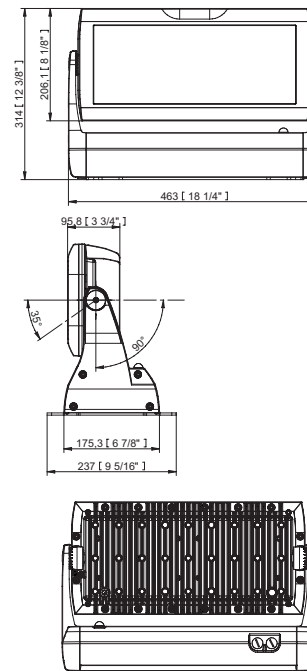
### CONTROL

Display LCD Display (Inside Integrated Junction Box)  
 Chassis Mounted LCD Display (optional)  
 Wireless DMX (Option) Lumen Radio CRMX Technology  
 Interface Protocol USITT DMX512, RDM, 0-10V (for Single Color Variants)  
 Control System ArcControl range or any Third Party Controllers  
 Operating Modes DMX, Standalone  
 Programs / Functions / Features Editable Program: 1 (up to 40 steps)  
 Settings / Addressing Via LCD Display  
 Power Supply Integrated

### PHYSICAL

Width x Height x Depth 463 x 314 x 175/237 mm (18.2 x 12.4 x 6.9/9.3 in)  
 Weight 14.5 kg / 32 lbs  
 Housing High Pressure Die-Cast Aluminium Body  
 Tempered Glass  
 Finish Options Silver (Standard), Black/White/Custom RAL (cost option)  
 Cables / Connections Integrated Junction Box w/Terminal Block  
 Recommended: LI9YC11Y Cable 3xAWG16+1x(2xAWG24)  
 Mounting Method Surface Mount, Flush (J-Box), C-Clamp (for side connection only)  
 Adjustability +35° / -90°  
 Protection Factor IP67 / Suitable For Wet Locations  
 IK Rating IK10  
 Cooling System Convection  
 Operating Ambient Temperature -20°C / +40°C (-4°F / +104°F)  
 Operating Temperature +75°C @ Ambient +40°C (+167°F @ Ambient +104°F)  
 Total Heat Dissipation 1500 BTU/h (calculated)

## DIMENSIONS mm [in]:



### CERTIFICATION

Listings ETL / cETL, CE, RoHS

### ACCESSORIES

Surface Mount Adaptor (included)  
 Top Hat  
 Half Top Hat  
 Wire Guard/Anti-Glare  
 C-Clamp Adaptor  
 Barn Door Module  
 Set of Rubber Feet

# Divine™ 60 UV

The Anolis Divine™ 60 UV is a breakthrough in true UV illumination - a 180 Watt all-LED luminaire providing superb UV output levels at 365nm. Precision UV-stable components are housed in an IP67 rated casing with flexible mounting options enabling rapid installation, making it perfect for themed environments and events of all types. Perfectly suited for both indoor and outdoor environments, the Divine™ 60 UV is an ideal choice for theme parks, attractions, leisure facilities and entertainment events requiring a true UV 'black light' effect.



## TECHNICAL SPECIFICATIONS:

### ELECTRICAL

|                           |   |
|---------------------------|---|
| Input Voltage             | 100-277V AC 50/60 Hz  |
| Typical Power Consumption | 180W +/-10%   |
| In Rush Current           | 20A Cold start, 25 °C ambient, full load 115 VAC;<br>30A Cold start, 25 °C ambient, full load 230 VAC |

### OPTICAL

|                             |                               |
|-----------------------------|-------------------------------|
| Light Source                | 60 x UV LEDs                  |
| Wave Length                 | 365nm (peak)                  |
| Beam Angle                  | 38°                           |
| Projected Lumen Maintenance | 16,000 hrs (L70@ 25°C / 77°F) |

### CONTROL

|                                 |  |
|---------------------------------|--|
| Display                         | LCD Display (Inside Integrated Junction Box)<br>Chassis Mounted LCD Display (optional) |
| Wireless DMX (Option)           | Lumen Radio CRMX Technology  |
| Interface Protocol              | USITT DMX512, RDM, 0-10V   |
| Control System                  | ArcControl range or any Third Party Controllers  |
| Operating Modes                 | DMX, Standalone  |
| Programs / Functions / Features | Editable Program: 1 (up to 40 steps)   |
| Settings / Addressing           | Via LCD Display  |
| Power Supply                    | Integrated   |

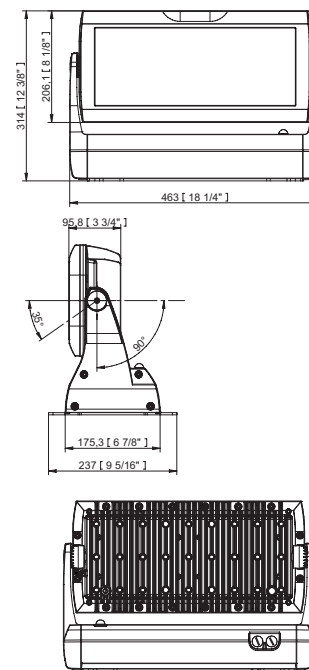
### PHYSICAL

|                               |   |
|-------------------------------|---|
| Width x Height x Depth        | 463 x 314 x 175/237 mm (18.2 x 12.4 x 6.9/9.3 in)   |
| Weight                        | 14.5 kg / 32 lbs  |
| Housing                       | High Pressure Die-Cast Aluminium Body<br>Tempered Glass                                     |
| Finish Options                | Silver (Standard), Black/White/Custom RAL (cost option)                                     |
| Cables / Connections          | Integrated Junction Box w/Terminal Block<br>Recommended: Li9YC11Y Cable 3xAWG16+1x(2xAWG24) |
| Mounting Method               | Surface Mount, Flush (J-Box), C-Clamp (for side connection only)                            |
| Adjustability                 | +35° / -90°   |
| Protection Factor             | IP67 / Suitable For Wet Locations   |
| IK Rating                     | IK10  |
| Cooling System                | Convection  |
| Operating Ambient Temperature | -20°C / +40°C (-4°F / +104°F)   |
| Operating Temperature         | +75°C @ Ambient +40°C (+167°F @ Ambient +104°F)   |
| Total Heat Dissipation        | 680 BTU/h (calculated)  |

### CERTIFICATION

|          |                      |
|----------|----------------------|
| Listings | ETL / cETL, CE, RoHS |
|----------|----------------------|

## DIMENSIONS mm [in]:



### ACCESSORIES

- Surface Mount Adaptor (included)
- Top Hat
- Half Top Hat
- Wire Guard/Anti-Glare
- C-Clamp Adaptor
- Set of Rubber Feet
- Adaptor Black Glass



# ArcPad™ Xtreme

ArcPad™ Xtreme is a special fixture with two independent LED modules. LEDs are densely populated, providing extremely bright light output. The fixture is completely silent due to the convection cooling. The IP67 rating means it can be used for exterior installations.

ArcPad™ Xtreme is an ideal fixture for illuminating large buildings and landscapes, thanks to the high light output of the LED modules. The unique combination of RGBW LED colours delivers a stunning light quality, not seen in other competitive products on the market.



## TECHNICAL SPECIFICATIONS:

### ELECTRICAL

Input Voltage 100-240V AC 50/60 Hz (CE), 100-277V AC 50/60 Hz (US)  
Typical Power Consumption 590W +/-10%

### OPTICAL

Light Source 188 x High Power LEDs  
Colour Variants RGBWW (WW-3200K), RGBCW (CW-6500K), PW (3200K, 4300K, 6500K), SW (3200-6500K)  
Red/Green/Blue/White, Pure White, Smart White, Custom Array  
Beam Angle 10°, 23°, 44°, 14°x26°  
Lumen Output Delivered 16108lm (RGBCW 10° CW-6500K, all LEDs on full)  
29354lm (PW 10° 3200K)  
Projected Lumen Maintenance 77,000 hrs ( L70 @ 25°C / 77°F)

### CONTROL

Display No Display  
Wireless DMX (Option) Lumen Radio CRMX Technology  
Interface Protocol USITT DMX512, RDM  
Control System ArcControl range or any Third Party Controllers  
Operating Modes DMX, Master/Slave, Standalone  
Programs / Functions / Features Editable Program: 3 (up to 68 steps each)  
Settings / Addressing Via RDM communicator or Robe Universal Interface (RUNIT)  
Power Supply Integrated (standard), Extended (EPS optional, not for US)

### PHYSICAL

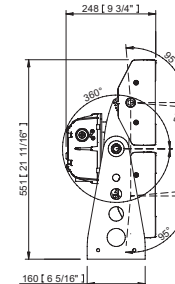
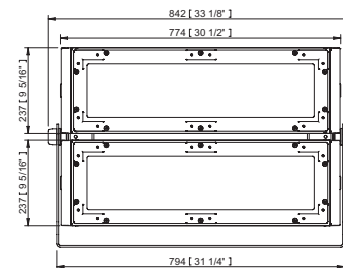
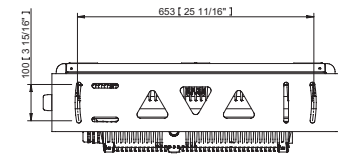
Width x Height x Depth 842 x 551 x 248 mm (33.15 x 21.7 x 9.76 in)  
Weight 57 kg / 125.7 lbs  
Housing High Pressure Die-Cast Aluminium Body  
Tempered Glass  
Finish Options Silver (Standard), Black/White/Custom RAL (cost option)  
Cables / Connections Li9YC11Y Cable 3xAWG16+1(2xAWG24), Junction Box  
Mounting Method Yoke  
Adjustability +95° / -5°, LED Modules and PSU +/-180°  
Protection Factor IP67 / Suitable For Wet Locations  
Cooling System Convection  
Operating Ambient Temperature -20°C / +40°C (-4°F / +104°F)  
Operating Temperature +85°C @ Ambient +40°C (+185°F @ Ambient +104°F)

### CERTIFICATION

Listings ETL / cETL, CE, RoHS



## DIMENSIONS mm [in]:



### ACCESSORIES

Junction Box (included)  
Gasket Cable Grommet M20 (included)  
Barn Doors  
Top Hat  
Half Top Hat

# ArcPad™ 94 Integral

ArcPad™ 94 Integral is an LED outdoor fixture, LEDs are densely populated producing a high light output. ArcPad™ 94 Integral is an ideal fixture to illuminate tall buildings and structures. The RGBW LED configuration delivers stunning light quality not seen in other competitive products on the market.



## TECHNICAL SPECIFICATIONS:

### ELECTRICAL

Input Voltage 100-240V AC 50/60 Hz (CE), 100-277V AC 50/60 Hz (US)  
 Typical Power Consumption 300W +/-10%

### OPTICAL

Light Source 94 x High Power LEDs  
 Colour Variants RGBWW (WW-3200K), RGBCW (CW-6500K), PW (3200K, 4300K, 6500K), SW (3200-6500K) Red/Green/Blue/White, Pure White, Smart White, Custom Array  
 Beam Angle 10°, 23°, 44°, 14°x26°  
 Lumen Output Delivered 8054lm (RGBCW 10° CW-6500K, all LEDs on full) 14677lm (PW 10° 3200K)  
 Projected Lumen Maintenance 77,000 hrs (L70@ 25°C / 77°F)

### CONTROL

Display No Display  
 Wireless DMX (Option) Lumen Radio CRMX Technology  
 Interface Protocol USITT DMX512, RDM  
 Control System ArcControl range or any Third Party Controllers  
 Operating Modes DMX, Master/Slave, Standalone  
 Programs / Functions / Features Editable Program: 3 (up to 68 steps each)  
 Settings / Addressing Via RDM communicator or Robe Universal Interface (RUNIT)  
 Power Supply Integrated (standard), Extended (EPS optional, not for US)

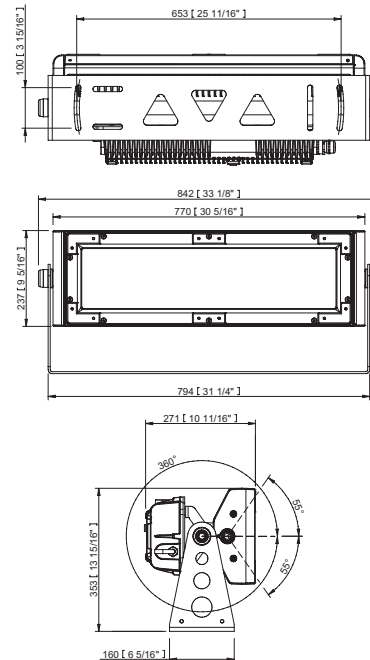
### PHYSICAL

Width x Height x Depth 842 x 353 x 271 mm (33.15 x 13.9 x 10.67 in)  
 Weight 39 kg / 86 lbs  
 Housing High Pressure Die-Cast Aluminium Body  
 Tempered Glass  
 Finish Options Silver (Standard), Black/White/Custom RAL (cost option)  
 Cables / Connections Li9YC11Y Cable 3xAWG16+1(2xAWG24), Junction Box Yoke  
 Mounting Method +/-55°, LED Module and PSU +/-180°  
 Adjustability IP67 / Suitable For Wet Locations  
 Protection Factor Convection  
 Cooling System  
 Operating Ambient Temperature -20°C / +40°C (-4°F / +104°F)  
 Operating Temperature +85°C @ Ambient +40°C (+185°F @ Ambient +104°F)

### CERTIFICATION

Listings ETL / cETL, CE, RoHS

## DIMENSIONS mm [in]:



### ACCESSORIES

Junction Box (included)  
 Gasket Cable Grommet M20 (included)  
 Barn Doors  
 Top Hat  
 Half Top Hat

# ArcPad™ 48

The ArcPad™ 48 has been designed to produce a range of rich saturated colours and colour changing effects as well as the full range of white light for wall-washing, spot lighting, and many architectural lighting applications. Remote power and electronics mean ArcPad™ 48 can be installed with confidence in the most inaccessible installations. With an extremely high output to physical size ratio and high IP rating ArcPad™ 48 is a truly versatile lighting tool.



## TECHNICAL SPECIFICATIONS:

### ELECTRICAL

Input Voltage 48V DC  
Typical Power Consumption 60W +/-10%

### OPTICAL

Light Source 48 x High Power LEDs  
Colour Variants RGBWW (WW-3000K), RGBCW (CW-6500K), PW (3000K, 4000K, 6500K), SW (3000-6500K), R, G, B, A  
Red/Green/Blue/White, Pure White, Smart White, Red, Green, Blue, Amber  
Beam Angle 13°, 26°, 45°, 13°x38°  
Lumen Output Delivered 2784lm (RGBCW 13° CW-6500K, all LEDs on full)  
2522lm (PW 13° 3000K)  
Projected Lumen Maintenance 60,000 hrs ( L70@ 25°C / 77°F)

### CONTROL

Display No Display  
Power Supply ArcPower 48, ArcPower Rack Unit, DRS

### PHYSICAL

Width x Height x Depth 243 x 140 x 120 mm (9.57 x 5.51 x 4.72 in)  
Weight 1.8 kg / 4 lbs  
Housing High Pressure Die-Cast Aluminium Body  
Tempered Glass  
Finish Options Silver (Standard), Black/White/Custom RAL (cost option)  
Cables / Connections LiYy 8xAWG22 - 0.5m Long (1.64ft) - Chogori IP67 Connector  
Mounting Method Mounting Plate  
Adjustability Pan +/-45°, Tilt +60°/ -90°  
Protection Factor IP67  
IK Rating IK10  
Cooling System Convection  
Operating Ambient Temperature -20°C / +40°C (-4°F / +104°F)  
Operating Temperature +70°C @ Ambient +25°C [+158°F @ Ambient +77°F]

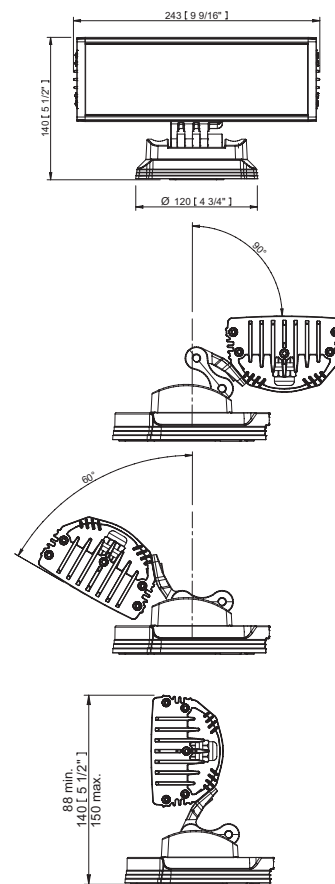
### CERTIFICATION

Listings CE, RoHS

### ACCESSORIES

Connector Chogori 8-pin (Female) (included)  
Barn Doors  
Top Hat  
Half Top Hat

## DIMENSIONS mm (in):



# ArcPad™ 48 Integral

All the features of the hugely successful ArcPad™ 48 are combined with integral power and data in the ArcPad™ 48 Integral, allowing replacement of existing lighting technology with dynamic LED fittings without the need or expense of installing data cables thanks to the wireless control option available. Extremely high output to physical size ratio and high IP rating of ArcPad™ 48 allow for dramatic lighting schemes to be created with ArcPad™ 48 Integral whether it be dynamic white lighting or full spectrum RGBW.



## TECHNICAL SPECIFICATIONS:

### ELECTRICAL

Input Voltage 100-240V AC 50/60 Hz (CE), 100-277V AC 50/60 Hz (US)  
 Typical Power Consumption 60W +/-10%  
 In Rush Current 40A Max - 10ms

### OPTICAL

Light Source 48 x High Power LEDs  
 Colour Variants RGBWW (WW-3000K), R6BCW (CW-6500K), PW (3000K, 4000K, 6500K), SW (3000-6500K), R, G, B, A  
 Red/Green/Blue/White, Pure White, Smart White, Red, Green, Blue, Amber  
 Beam Angle 13°, 26°, 45°, 13°x38°  
 Lumen Output Delivered 2784lm (R6BCW 13° CW-6500K, all LEDs on full)  
 2522lm (PW 13° 3000K)  
 Projected Lumen Maintenance 60,000 hrs (L70@ 25°C / 77°F)

### CONTROL

Display No Display  
 Wireless DMX (Option) Lumen Radio CRMX Technology  
 Interface Protocol USITT DMX512, RDM  
 Control System ArcControl range or any Third Party Controllers  
 Operating Modes DMX, Master/Slave, Standalone  
 Programs / Functions / Features Editable Program: 3 (up to 68 steps each)  
 Settings / Addressing Via RDM communicator or Robe Universal Interface (RUNIT)  
 Power Supply Integrated

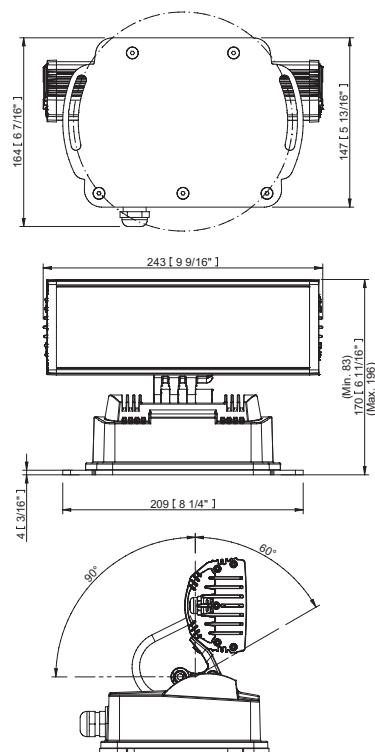
### PHYSICAL

Width x Height x Depth 243 x 170 x 164 mm (9.57 x 6.69 x 6.46 in)  
 Weight 3 kg / 6.6 lbs  
 Housing High Pressure Die-Cast Aluminium Body  
 Tempered Glass  
 Finish Options Silver (Standard), Black/White/Custom RAL (cost option)  
 Cables / Connections Li9YC11Y Cable 3xAWG16+1(2xAWG24), Junction Box  
 Mounting Method Mounting Plate  
 Adjustability Pan +/-17°, Tilt +60°/ -90°  
 Protection Factor IP67 / Suitable For Wet Locations  
 IK Rating IK10  
 Cooling System Convection  
 Operating Ambient Temperature -20°C / +40°C (-4°F / +104°F)  
 Operating Temperature +80°C @ Ambient +40°C (+176°F @ Ambient +104°F)

### CERTIFICATION

Listings ETL / cETL, CE, RoHS

## DIMENSIONS mm [in]:



### ACCESSORIES

Junction Box (included)  
 Gasket Cable Grommet M20 (included)  
 Barn Doors  
 Top Hat  
 Half Top Hat

# ArcSource™ 96 Integral

The Anolis ArcSource™ 96 Integral uses the advanced technology of the highly successful ArcPad™ 48 Integral while providing more power and light output as is often required by today's lighting projects. Housed in compact IP67 rated aluminum housing, the 96 high brightness LED provides unbelievable light output previously unavailable in an LED fixture of this size. Control is via DMX/RDM allowing for advanced programming options, up to date technology ensures stable white balance is achieved as well as a minimum life expectancy of 76,000 hours.

Available in a variety of colour options including RGBWW, RGBCW, RGBA and a range of static white as well as the popular Smart White dynamic white variant, the ArcSource™ 96 Integral is a truly versatile fixture that can be specified in the most demanding of interior and exterior lighting schemes.



## TECHNICAL SPECIFICATIONS:

### ELECTRICAL

|                           |  |
|---------------------------|--|
| Input Voltage             | 100-240V AC 50/60 Hz (CE)<br>100-277V AC 50/60 Hz (US) |
| Typical Power Consumption | 200W +/-10%  |
| In Rush Current           | 40A Max - 10ms   |

### OPTICAL

|                             |   |
|-----------------------------|---|
| Light Source                | 96 x High Power LEDs  |
| Colour Variants             | RGBWW (WW-3000K), RGBCW (CW-6500K), PW (3000K, 4000K, 6500K), SW (3000-6500K), R, G, B, A<br>Red/Green/Blue/White, Pure White, Smart White, Red, Green, Blue, Amber |
| Beam Angle                  | 13°, 25°, 12°x32°, 44°  |
| Lumen Output Delivered      | 7896lm (RGBCW 13° CW-6500K, all LEDs on full)   |
| Projected Lumen Maintenance | 8920lm (PW 13° 6500K)<br>76,000 hrs ( L70@ 25°C / 77°F)   |

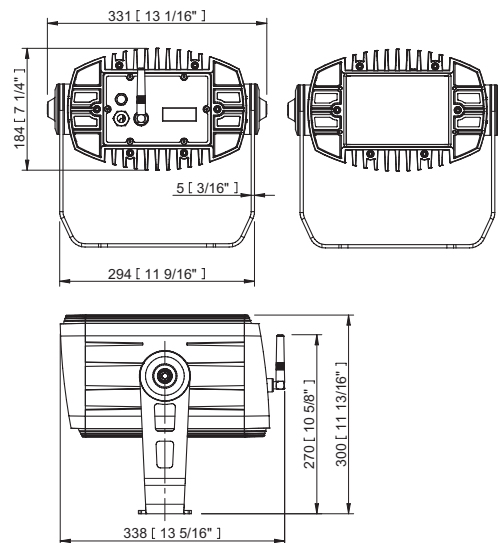
### CONTROL

|                                 |   |
|---------------------------------|---|
| Display                         | 4-digit LED display w/ 4 control buttons        |
| Wireless DMX (Option)           | Lumen Radio CRMX Technology                     |
| Interface Protocol              | USITT DMX512, RDM                               |
| Control System                  | ArcControl range or any Third Party Controllers |
| Operating Modes                 | DMX, Master/Slave, Standalone                   |
| Programs / Functions / Features | Editable Program: 3 (up to 68 steps each)       |
| Settings / Addressing           | Via 4-digit LED display w/ 4 control buttons    |
| Power Supply                    | Integrated                                      |

### PHYSICAL

|                               |   |
|-------------------------------|---|
| Width x Height x Depth        | 331 x 300 x 338 mm (13.03 x 11.81 x 13.3 in)            |
| Weight                        | 11kg / 24.3lbs  |
| Housing                       | Cast Aluminium<br>Tempered Glass                        |
| Finish Options                | Silver (Standard), Black/White/Custom RAL (cost option) |
| Cables / Connections          | Li9YC11Y Cable 3xAWG16+1(2xAWG24), Junction Box         |
| Mounting Method               | Yoke / Floor Stand (Optional)                           |
| Adjustability                 | 360°  |
| Protection Factor             | IP67 / Suitable For Wet Locations                       |
| IK Rating                     | IK07  |
| Cooling System                | Convection  |
| Operating Ambient Temperature | -20°C / +40°C (-4°F / +104°F)                           |
| Operating Temperature         | +80°C @ Ambient +40°C (+176°F @ Ambient +104°F)         |

## DIMENSIONS mm [in]:



### CERTIFICATION

Listings ETL / cETL, CE, RoHS

### ACCESSORIES

Junction Box (included)  
Gasket Cable Grommet M20 (included)  
Barn Doors  
Top Hat  
Half Top Hat  
Floor Stand  
Anti-Glare/Guard



# ArcPad™ Zoom 48MC

The latest addition to the versatile Anolis ArcPad™ range brings high output multichip technology and an electronic zoom to widen even further the number of applications for which it can be specified.

Beam angles can be electronically adjusted to give both dynamic effects for façade illumination as well as extremely accurate focusing for static lighting schemes. Combining a high IP rating of 67 with an Impact Rating of 10 the ArcPad™ Zoom 48MC can withstand virtually all climatic conditions.



## TECHNICAL SPECIFICATIONS:

### ELECTRICAL

Input Voltage 100-277V AC 50/60 Hz  
 Typical Power Consumption 150W +/-5%  
 In Rush Current 15Apk max. at initial cycle @ 230V AC, 25°C ambient

### OPTICAL

Light Source 12 x 15W Multichip LEDs  
 Colour Variants RGBCW (CW-6300K), PW (6300K), SW (2700-7100K)  
 Red/Green/Blue/White, Pure White, Smart White  
 Beam Angle Linear motorized Zoom 8°-44° (via DMX)  
 Lumen Output Delivered 2983lm (RGBCW 8° CW-6300K, all LEDs on full)  
 3682lm (SW 8°4900K, all LEDs on full)  
 Projected Lumen Maintenance 60,000 hrs (L70@ 25°C / 77°F)

### CONTROL

Display Two-row LCD display w/ 4 control buttons  
 Wireless DMX (Option) Lumen Radio CRMX Technology  
 Interface Protocol USITT DMX512, RDM  
 Control System ArcControl range or any Third Party Controllers  
 Operating Modes DMX, Standalone  
 Programs / Functions / Features Editable Program: 1 (up to 40 steps)  
 Settings / Addressing Via Two-row LCD display w/ 4 control buttons  
 Power Supply Integrated

### PHYSICAL

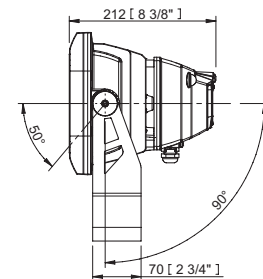
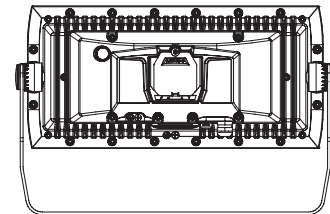
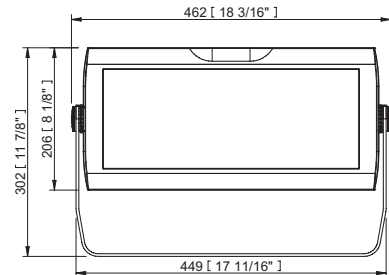
Width x Height x Depth 462 x 302 x 212 mm (18.19 x 11.89 x 8.35 in)  
 Weight 11.6 kg / 26.57 lbs  
 Housing High Pressure Die-Cast Aluminium Body  
 Tempered Glass  
 Finish Options Silver (Standard), Black/White/Custom RAL (cost option)  
 Cables / Connections Li9YC11Y Cable 3xAWG16+1(2xAWG24), Junction Box  
 Mounting Method Yoke / Floor Stand (optional)  
 Adjustability +50° / -90°  
 Protection Factor IP67 / Suitable for wet locations  
 IK Rating IK10  
 Cooling System Convection  
 Operating Ambient Temperature -20°C / +40°C (-4°F / +104°F)  
 Operating Temperature +65°C @ Ambient +40°C (+149°F @ Ambient +104°F)

### CERTIFICATION

Listings ETL / cETL, CE, RoHS



## DIMENSIONS mm [in]:



### ACCESSORIES

Junction Box (included)  
 Floor Stand  
 Top Hat  
 Half Top Hat



Western Concourse at Kings Cross Station - London, The United Kingdom

Photo credit: Thomas Graham

# ArcSource Outdoor & Inground

ArcSource™ 1 ▶ **Pg. 18**



ArcSource™ 1MC ▶ **Pg. 19**



ArcSource™ Outdoor 4MC ▶ **Pg. 20**



ArcSource™ Outdoor 16MC ▶ **Pg. 21**



ArcSource™ Outdoor 16MC Integral ▶ **Pg. 22**



ArcSource™ Outdoor 24MC ▶ **Pg. 23**  
ArcSource™ Outdoor 48MC



ArcSource™ Outdoor 24MC Integral ▶ **Pg. 24**  
ArcSource™ Outdoor 48MC Integral



ArcSource™ 24MC Submersible ▶ **Pg. 25**



ArcSource™ Inground 24MC Integral ▶ **Pg. 26**



# ArcSource™ 1

The Anolis ArcSource™ 1 is a single colour high powered LED fixture utilising the latest high output LED. Available in 4 optical formats, marker, beam, wide or shield, the ArcSource™ 1 has integrated electronic control allowing the fixture to operate on a range of AC/DC input voltages; the onboard electronic control also ensures that constant output intensity is maintained through all fixtures no matter where they are located in relation to the power supply.



## TECHNICAL SPECIFICATIONS:

### ELECTRICAL

Input Voltage 9-35V DC or 6-24V AC  
Typical Power Consumption 1.6 W

### OPTICAL

Light Source 1 x High Power Single Colour LED  
Colour Variants PW (3200K, 6500K), R, G, B  
Pure White, Red, Green, Blue  
Beam Angle 9°, 25°, SuperWide, Shield  
Lumen Output Delivered 54lm (PW 9° 6500K)  
Projected Lumen Maintenance 50,000 hrs (L70@ 25°C / 77°F)

### CONTROL

Display No Display  
Power Supply ArcPower 12 or Third Party Power Supply

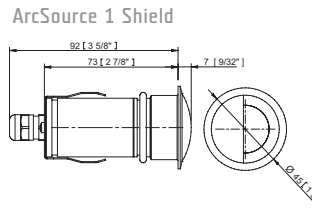
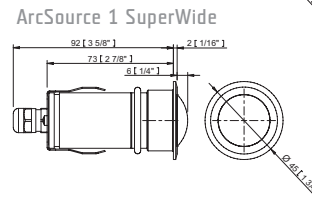
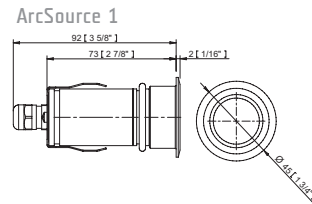
### PHYSICAL

Width x Height x Depth 92 x Ø45 mm (3.62 x Ø1.77 in)  
Weight 0.3 kg / 0.66 lbs  
Housing Stainless Steel Top Flange, Brass Housing  
Tempered Glass  
Cables / Connections DIFlex Robust 210 Cable, 2x 0.5mm<sup>2</sup> - 1m Long (3.3ft)  
Mounting Method Spring Clips  
Protection Factor IP68  
IK Rating IK10  
Cooling System Convection  
Operating Ambient Temperature -20°C / +40°C (-4°F / +104°F)

### CERTIFICATION

Listings CE, RoHS

## DIMENSIONS mm [in]:





# ArcSource™ 1MC

The Anolis ArcSource™ 1MC provides seamless colour mixing and offers the best homogeneous colour output from a single point multichip LED source. The Anolis ArcSource™ 1MC is powered by the Anolis ArcPower™ range of drivers.



## TECHNICAL SPECIFICATIONS:

### ELECTRICAL

Typical Power Consumption 4.4W  
Input Current 350mA (max. per channel)

### OPTICAL

Light Source 1 x Multichip LED  
Colour Variants RGBNW (NW-4200K), RGBCW (CW-6500K), PW (3200K, 6500K), SW (2700-6500K)  
Red/Green/Blue/White, Pure White, Smart White  
Beam Angle 27°, 35°  
Lumen Output Delivered 126lm (RGBCW 27° CW-6500K, all LEDs on full)  
Projected Lumen Maintenance 60,000 hrs (L70@ 25°C / 77°F)

### CONTROL

Display No Display  
Power Supply ArcPower range

### PHYSICAL

Width x Height x Depth 55.4 x Ø45 mm (2.18 x Ø 1.77 in)  
Weight 0.2 kg / 0.44 lbs  
Housing Stainless Steel Top Flange, Brass Housing  
Tempered Glass  
Cables / Connections LiYY 8xAWG22 - 0.5m Long (1.64ft) - Chogori IP67 Connector  
Mounting Method Rubber Seal, Spring Clips (optional)  
Protection Factor IP68 / Suitable for Wet Locations  
IK Rating IK07  
Cooling System Convection  
Operating Ambient Temperature -20°C / +40°C (-4°F / +104°F)  
Operating Temperature +75°C @ Ambient +40°C (+167°F @ Ambient +104°F)

### CERTIFICATION

Listings ETL / cETL, CE, RoHS

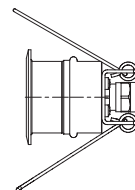
### ACCESSORIES

Cable Splitter 1 to 2, RJ45 (included)  
Connector Chogori 8-pin (Female) (included)  
Connector Chogori 8-pin (Male)  
Connector Chogori T Piece  
Connector Waterproof Cap (Male)  
Cable Chogori (Female) - RJ45  
other lengths on request

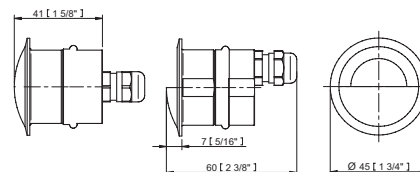


## DIMENSIONS mm [in]:

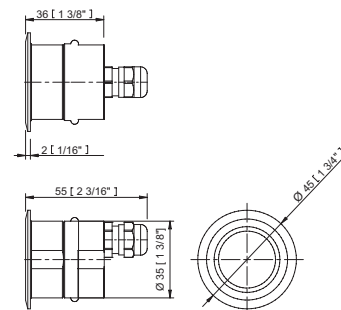
### ArcSource 1 MC Spring Clip Option



### ArcSource 1 MC Shield



### ArcSource 1 MC





# ArcSource™ Outdoor 4MC

The ArcSource™ Outdoor 4MC offers a high light output from the latest LED multichip technology, along with a full range of precision optics. With an IP rating of 67 this product is ideal for outdoor lighting applications, offering solutions to many landscape lighting scenarios. With its stirrup mounting the product has a complete range of movement, which can easily be fixed to stop once product is in the ideal position. Landscape accessories such as the ground spike ensure a wide range of installation options.



## TECHNICAL SPECIFICATIONS:

### ELECTRICAL

Typical Power Consumption 6W (@ 350mA), 10W (@ 700mA)  
Input Current 350mA, 700mA (max. per channel)

### OPTICAL

Light Source 1 x 10W Multichip LED  
Colour Variants RGBA, RGBNW (NW-4200K), RGBCW (CW-6500K), PW (3200K, 6500K), SW (2700-6500K)  
Red/Green/Blue/Amber, Red/Green/Blue/White, Pure White, Smart White  
Beam Angle 11°, 26°, 36°  
Lumen Output Delivered 364lm (RGBCW 11° CW-6500K, all LEDs on full, 700mA)  
Projected Lumen Maintenance 50,000 hrs ( L70@ 25°C / 77°F )

### CONTROL

Display No Display  
Power Supply ArcPower range

### PHYSICAL

Width x Height x Depth 64 x 114 (145) x 90 mm (2.52 x 4.49 (5.71) x 3.54 in)  
Weight 0.62 kg / 1.37 lbs  
Housing High Pressure Die-Cast Aluminium Body  
Tempered Glass  
Finish Options Silver (Standard), Black/White/Custom RAL (Cost Option)  
Cables / Connections LiYY 8xAWG22 - 0.5m Long (1.64ft) - Chogori IP67 Connector  
Mounting Method Mounting Plate, Land Spike (optional)  
Adjustability +/-60°, with Adaptor Stand +80°/ -90°  
Protection Factor IP67 / Suitable For Wet Locations  
Cooling System Convection  
Operating Ambient Temperature -20°C / +45°C (-4°F / +113°F )  
Operating Temperature +75°C @ Ambient +50°C (+167°F @ Ambient +122°F )

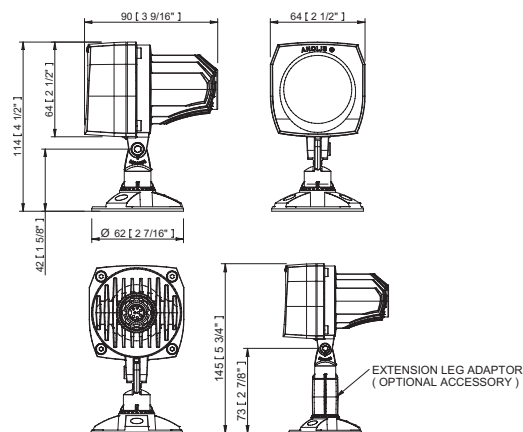
### CERTIFICATION

Listings ETL / cETL, CE, RoHS

### ACCESSORIES

Allen Key (Included)  
Screw M5x45 (Included)  
Connector Chogori 8-pin (Female) (included)  
Adaptor Stand (included)

## DIMENSIONS mm (in):



### ACCESSORIES

Adaptor Stand (10 cm)  
Land Spike Single (100mm)  
Land Spike Twin (100mm)  
Land Spike Single (500mm)  
Land Spike Twin (500mm)  
Lamp Spike Triple (500mm)  
Top Hat  
Half Top Hat  
Connector Chogori 8-pin (Male)  
Connector Chogori T Piece  
Connector Waterproof Cap (Male)  
Cable Chogori (Female) - RJ45  
Cable Chogori (Female) - Chogori (Male)  
other lengths on request

# ArcSource™ Outdoor 16MC

ArcSource™ Outdoor 16MC is that latest addition to the hugely successful ArcSource™ Outdoor range. Perfectly complementing the existing ArcSource™ Outdoor range, the Outdoor 16MC offers the same high quality performance and finish, in a compact and versatile form factor. As expected from Anolis Outdoor luminaries, a high IP and IK rating come as standard.



## TECHNICAL SPECIFICATIONS:

### ELECTRICAL

Typical Power Consumption 36W  
Input Current 700mA (max. per channel)

### OPTICAL

Light Source 4 x High Power Multichip LEDs  
Colour Variants RGBA, RGBNW (NW-4200K), RGBCW (CW-6300K), PW (6300K), SW (2700-7100K)  
Beam Angle Red/Green/Blue/Amber, Red/Green/Blue/White, Pure White, Smart White 7°, 24°, 34°, 42°x10°, 10°x42° (RGBCW, PW, SW)  
11°, 26°, 36° (RGBNW, RGBA)  
Lumen Output Delivered 1271lm (RGBCW 7° CW-6300K, all LEDs on full, 700mA)  
Projected Lumen Maintenance 60,000 hrs (L70@ 25°C / 77°F)

### CONTROL

Display No Display  
Power Supply ArcPower Rack Unit, ArcPower range (700mA), DRS

### PHYSICAL

Width x Height x Depth 179 x 214 x 145 mm (7.0 x 8.4 x 5.7 in)  
Weight 2.8 kg / 6.2 lbs  
Housing High Pressure Die-Cast Aluminium Body  
Tempered Glass  
Finish Options Silver (Standard), Black/White/Custom RAL (cost option)  
Cables / Connections LiYY 8xAWG22 - 0.5m Long (1.64ft) - Chogori IP Connector  
Mounting Method Yoke, Floor Stand (optional)  
Adjustability +35° / -90°  
Protection Factor IP67 / Suitable For Wet Locations  
IK Rating IK06  
Cooling System Convection  
Operating Ambient Temperature -20°C / +45°C (-4°F / +113°F)  
Operating Temperature +70°C @ Ambient +45°C (+158°F @ Ambient +113°F)

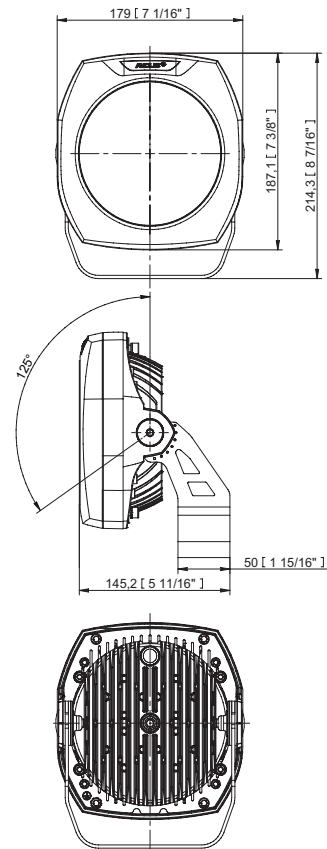
### CERTIFICATION

Listings ETL / cETL, CE, RoHS

### ACCESSORIES

Connector Chogori 8-pin (Female) (included)  
Top Hat  
Half Top Hat  
Floor Stand  
Land Spike  
Tenon Adaptor  
Pole Clamp  
Connector Chogori T Piece  
Cable Chogori (Female) - RJ45  
Cable Chogori (Female) - Chogori (Male)  
custom length on request

## DIMENSIONS mm [in]:



# ArcSource™ Outdoor 16MC Integral

ArcSource™ Outdoor 16MC is available either as an Integral fitting or as a remote device powered and controlled by the ArcPower™ range of intelligent LED drivers. Suitable for a variety of applications including landscape, facade and structural illumination, ArcSource™ Outdoor 16MC can be supplied in various beam angles and colour configurations.



## TECHNICAL SPECIFICATIONS:

### ELECTRICAL

Input Voltage 100-240V AC 50/60 Hz (CE), 120-277V AC 50/60 Hz (US)  
 Typical Power Consumption 42W +/-10%

### OPTICAL

Light Source 4 x High Power Multichip LEDs  
 Colour Variants RGBA, RGBNW (NW-4200K), RGBCW (CW-6300K), PW (6300K), SW (2700-7100K)  
 Red/Green/Blue/Amber, Red/Green/Blue/White, Pure White, Smart White  
 Beam Angle 7°, 24°, 34°, 42°x10°, 10°x42° (RGBCW, PW, SW)  
 11°, 26°, 36° (RGBNW, RGBA)  
 Lumen Output Delivered 1271lm (RGBCW 7° CW-6300K, all LEDs on full, 700mA)  
 Projected Lumen Maintenance 60,000 hrs (L70@ 25°C / 77°F)

### CONTROL

Display Two-row LCD display w/ control buttons  
 Wireless DMX (Option) Lumen Radio CRMX Technology  
 Interface Protocol USITT DMX512, RDM, 0-10V (for Single Color Variants, US only)  
 Control System ArcControl range or any Third Party Controllers  
 Operating Modes DMX, Standalone  
 Programs / Functions / Features Editable Program: 3 (up to 40 steps each)  
 Settings / Addressing Via Two-row LCD display w/ control buttons or RDM communicator  
 Power Supply Integrated

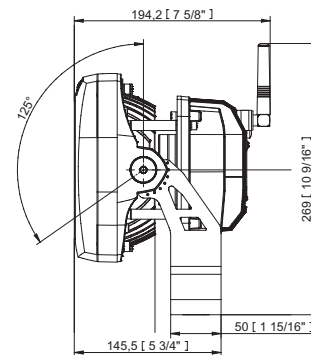
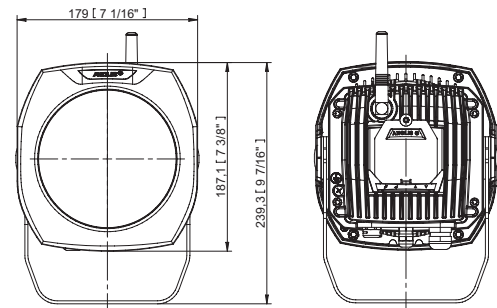
### PHYSICAL

Width x Height x Depth 179 x 239 x 194 mm (7.0 x 9.4 x 7.6 inches)  
 Weight 5.4 kg / 11.9 lbs  
 Housing High Pressure Die-Cast Aluminium Body  
 Tempered Glass  
 Finish Options Silver (Standard), Black/White/Custom RAL (cost option)  
 Cables / Connections Li9Y11Y 3xAWG16+1(2xAWG24), Junction Box  
 Mounting Method Yoke, Floor Stand (optional)  
 Adjustability +35° / -90°  
 Protection Factor IP67 / Suitable For Wet Locations  
 IK Rating IK06  
 Cooling System Convection  
 Operating Ambient Temperature -20°C / +45°C (-4°F / +113°F)  
 Operating Temperature +80°C @ Ambient +45°C (+176°F @ Ambient +113°F)  
 Total Heat Dissipation 140 BTU/h (calculated)

### CERTIFICATION

Listings ETL / cETL, CE, RoHS

## DIMENSIONS mm (in):



### ACCESSORIES

Top Hat  
 Half Top Hat  
 Floor Stand  
 Land Spike  
 Tenon Adaptor  
 Pole Clamp

# ArcSource Outdoor™ 24MC, 48MC

Both ArcSource™ Outdoor 24MC and ArcSource™ Outdoor 48MC offer a high lumen output from the latest LED technology, along with a wide range of optics. With its IP67 rating these products are ideal for outdoor lighting applications, benefiting from totally flushmounted "Watch Glass" frontage meaning the units are less likely to suffer a debris build-up resulting in greater performance and lower maintenance. The ArcSource™ Outdoor 24MC incorporates 6 high output multichip LEDs in a compact aluminium housing. The ArcSource™ Outdoor 48MC with its 12 high output multichip LEDs offers a larger lumen output. Both products offer a solution to a wide variety of lighting scenarios.



## TECHNICAL SPECIFICATIONS:

### ELECTRICAL

|                           |  |
|---------------------------|--|
| Input Voltage             | 24MC: 48V (CE) / 28V, 48V (US)<br>48MC: 48V DC |
| Typical Power Consumption | 60W (24MC), 120W (48MC), +/- 10%               |
| Input Current             | 700mA (max. per channel)                       |

### OPTICAL

|                             |  |
|-----------------------------|--|
| Light Source                | 6 x 10W Multichip LEDs (24MC), 12 x 10W Multichip LEDs (48MC)  |
| Colour Variants             | RGBA, RGBNW (NW-4200K), RGBCW (CW-6500K),<br>PW (3200K, 6500K), SW (2700-6500K)<br>Red/Green/Blue/Amber, Red/Green/Blue/White, Pure White, Smart White |
| Beam Angle                  | 11°, 26°, 36°  |
| Lumen Output Delivered      | 24MC: 1951lm (RGBCW 11° CW-6500K, all LEDs on full, 700mA)<br>48MC: 3978lm (RGBCW 11° CW-6500K, all LEDs on full, 700mA)                               |
| Projected Lumen Maintenance | 120,000 hrs ( L70 @ 77°F / 25°C)   |

### CONTROL

|              |                |
|--------------|----------------|
| Display      | No Display     |
| Power Supply | ArcPower Range |

### PHYSICAL

|                               |   |
|-------------------------------|---|
| Width x Height x Depth        | 24MC: 216 x 261 x 150 mm (8.5 x 10.28 x 5.91 in)<br>48MC: 310 x 348 x 170 mm (12.21 x 13.7 x 6.69 in) |
| Weight                        | 24MC: 4.3 kg / 9.48 lbs<br>48MC: 8.3 kg / 18.29 lbs   |
| Housing                       | High Pressure Die-Cast Aluminium Body<br>Tempered Glass   |
| Finish Options                | Silver (Standard), Black/White/Custom RAL (cost option)   |
| Cables / Connections          | LiYY 8xAWG22 - 0.5m Long (1.64ft) - Chogori IP Connector  |
| Mounting Method               | Yoke, Floor Stand (optional)  |
| Adjustability                 | +35° / -90°   |
| Protection Factor             | IP67 / Suitable For Wet Locations   |
| IK Rating                     | 24MC: IK09, 48MC: IK10  |
| Cooling System                | Convection  |
| Operating Ambient Temperature | -20°C / +40°C [-4°F / +104°F]   |
| Operating Temperature         | +75°C @ Ambient +40°C [+167°F @ Ambient +104°F]   |

### CERTIFICATION

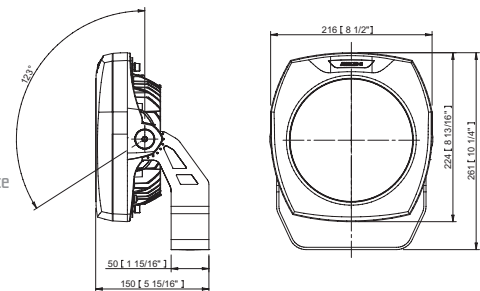
|          |                      |
|----------|----------------------|
| Listings | ETL / cETL, CE, RoHS |
|----------|----------------------|

### ACCESSORIES

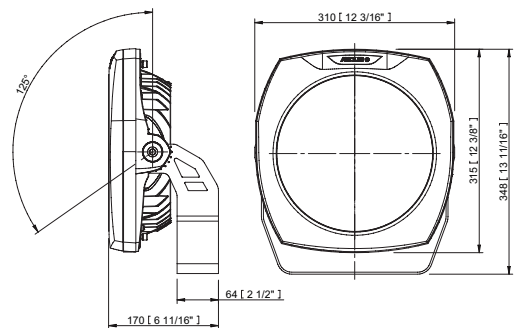
|   |
|---|
| Connector Chogori 8-pin (Female) (included) |
| Top Hat                                     |
| Half Top Hat                                |
| Floor Stand                                 |

## DIMENSIONS mm [in]:

ArcSource Outdoor 24MC



ArcSource Outdoor 48MC



### ACCESSORIES

|   |
|---|
| Land Spike                                  |
| Tenon Adaptor                               |
| Pole Clamp                                  |
| Cable Chogori (Female) - RJ45 (Indoor only) |
| Cable Chogori (Female) - Chogori (Male)     |
| custom length on request                    |

# ArcSource™ Outdoor 24MC Integral, 48MC Integral

The Anolis ArcSource™ Outdoor 24MC and 48MC Integral range offers all the benefits of the standard product – high lumen output and range of optics, while also incorporating an integral power supply, for when remote power supplies are not an option. Both ArcSource™ Outdoor 24 Integral and 48 Integral have an IP rating of 67. There is a wireless option available minimizing the installation process and associated costs.



## TECHNICAL SPECIFICATIONS:

### ELECTRICAL

Input Voltage

100-240 VAC 50/60 Hz (CE),  
24MC: 120-277VAC 50/60 Hz (US)  
48MC: 100-277VAC 50/60 Hz (US)  
70W (24MC), 130W (48MC) +/- 10%

Typical Power Consumption

### OPTICAL

Light Source

Colour Variants

6 x 10W Multichip LEDs (24MC), 12 x 10W Multichip LEDs (48MC)  
RGBA, RGBW (NW-4200K), RGBCW (CW-6500K), PW (3200K, 6500K),  
SW (2700-6500K)  
Red/Green/Blue/Amber, Red/Green/Blue/White, Pure White, Smart White

Beam Angle

Lumen Output Delivered

11°, 26°, 36°  
24MC: 1951lm (RGBCW 11° CW-6500K, all LEDs on full, 700mA)  
48MC: 3978lm (RGBCW 11° CW-6500K, all LEDs on full, 700mA)

Projected Lumen Maintenance

120,000 hrs ( L70@ 77°F / 25°C)

### CONTROL

Display

Wireless DMX (Option)

Interface Protocol

Control System

Operating Modes

Programs / Functions / Features

Settings / Addressing

Power Supply

Two-row LCD display w/ control buttons  
Lumen Radio CRMX Technology  
USITT DMX512, RDM, 0-10V (for Single Color Variants, US only)  
ArcControl range or any Third Party Controllers  
DMX, Standalone  
Editable Program: 3 (up to 40 steps each)  
Via Two-row LCD display w/ control buttons or RDM communicator  
Integrated

### PHYSICAL

Width x Height x Depth

Weight

Housing

Finish Options

Cables / Connections

Mounting Method

Adjustability

Protection Factor

IK Rating

Cooling System

Operating Ambient Temperature

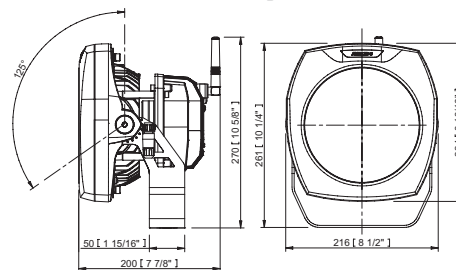
Operating Temperature

Total Heat Dissipation

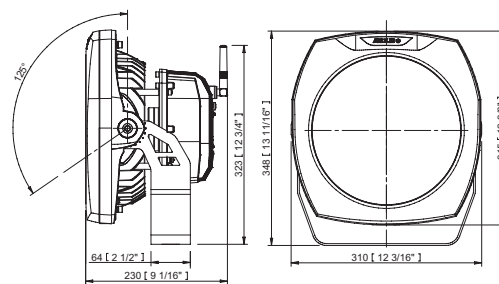
24MC: 216 x 261 x 200 mm (8.5 x 10.28 x 7.87 in)  
48MC: 310 x 348 x 230 mm (12.21 x 13.7 x 9.06 in)  
24MC: 5.7 kg / 12.6 lbs  
48MC: 10.8 kg / 23.8 lbs  
High Pressure Die-Cast Aluminium Body  
Tempered Glass  
Silver (Standard), Black/White/Custom RAL (cost option)  
Li9Y11Y 3xAWG16+1(2xAWG24), Junction Box  
Yoke, Floor Stand (optional)  
+35° / -90°  
IP67 / Suitable For Wet Locations  
24MC: IK09, 48MC: IK10  
Convection  
-20°C / +40°C (-4°F / +104°F)  
+80°C @ Ambient +40°C (+176°F @ Ambient +104°F)  
24MC: 240 BTU/h (calculated), 48MC: 443 BTU/h (calculated)

## DIMENSIONS mm (in):

ArcSource Outdoor 24MC Integral



ArcSource Outdoor 48MC Integral



### CERTIFICATION

Listings

ETL / cETL, CE, RoHS

### ACCESSORIES

Top Hat  
Half Top Hat  
Floor Stand  
Landscape Spike  
Tenon Adaptor  
Pole Clamp



# ArcSource™ 24MC Submersible

Following the success for the Anolis ArcSource™ Outdoor 24MC, the ArcSource™ 24MC Submersible has a housing crafted from the highest quality Marine Grade Bronze meaning it is able to withstand the very harshest environmental conditions. With an IP rating of 68 at 10 meters ArcSource™ 24MC Submersible can be specified with confidence for a wide variety of underwater applications.



## TECHNICAL SPECIFICATIONS:

### ELECTRICAL

Input Voltage 24V DC  
 Typical Power Consumption 35W (@ 350mA), 75W (@ 700mA)  
 Input Current 700mA (max. per channel)

### OPTICAL

Light Source 6 x 10W Multichip LEDs  
 Colour Variants RGBCW (CW-6300K), PW (6300K), SW (2700-7100K)  
 Red/Green/Blue/White, Pure White, Smart White  
 Beam Angle 7°, 24°, 34°  
 Lumen Output Delivered 1433lm (RGBCW 7° CW-6300K, all LEDs on full, 700mA)  
 938lm (RGBCW 7° CW-6300K, all LEDs on full, 350mA)  
 Projected Lumen Maintenance 60,000 hrs (L70@ 77°F / 25°C)

### CONTROL

Display No Display  
 Power Supply ArcPower 24MC (24V)

### PHYSICAL

Width x Height x Depth 216 x 261 x 171 mm (8.5 x 10.28 x 6.73 in)  
 Weight 10.5 kg / 23.1 lbs  
 Housing Marine Bronze  
 Tempered Glass  
 Cables / Connections Paige P7342-SP cable - custom length  
 Mounting Method Yoke, Floor Stand (optional)  
 Adjustability +35° / -90°  
 Protection Factor IP68 - 10m  
 IK Rating IK10  
 Cooling System Convection  
 Operating Ambient Temperature -20°C / +40°C (-4°F / +104°F)  
 Operating Temperature +70°C @ Ambient +40°C (+158°F @ Ambient +104°F)

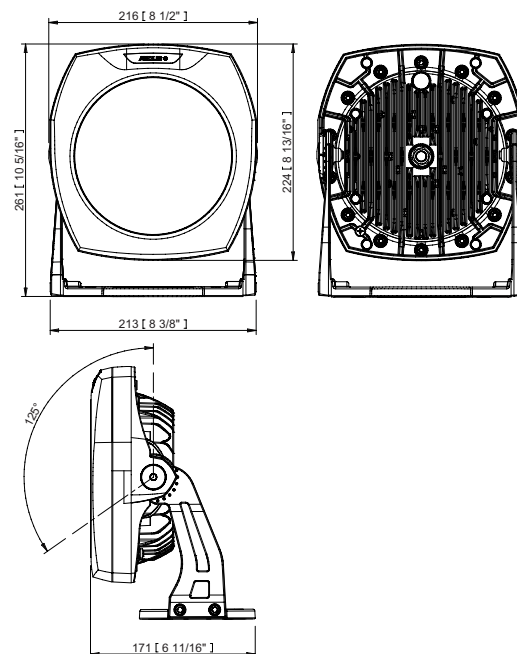
### CERTIFICATION

Listings ETL / cETL, CE, RoHS

### ACCESSORIES

Floor Stand  
 Installation Sleeve

## DIMENSIONS mm (in):



# ArcSource™ Inground 24MC Integral

The brand new ArcSource™ Inground 24MC Integral is packed with exciting new features to simplify inground installations. High light output is achieved via 6 x 10 Watt High Power multichip LEDs. A variety of optics is available from narrow to wide as well as an asymmetrical option. The light source can be remotely tilted +/- 15° from the horizontal position, insuring accurate illumination of the selected surface, with both power supply and control built-in, retro-fitting to existing installations becomes possible. With use of the wireless control option only mains power is required at the fitting location.



## TECHNICAL SPECIFICATIONS:

### ELECTRICAL

Input Voltage 100-277V AC 50/60 Hz  
Typical Power Consumption 65W @ 230V, +/- 10%

### OPTICAL

Light Source 6 x 10W Multichip LEDs  
Colour Variants RGBCW (CW-6300K), PW (6300K), SW (2700-7100K)  
Red/Green/Blue/White, Pure White, Smart White  
Beam Angle 7°, 24°, 34°, 7°x 42°, 42°x 7°  
Lumen Output Delivered 1540lm (RGBCW 7° CW-6300K, all LEDs on full)  
Projected Lumen Maintenance 60,000 hrs (L70@ 25°C / 77°F)

### CONTROL

Display No Display  
Wireless DMX (Option) Lumen Radio CRMX Technology  
Interface Protocol USITT DMX 512, RDM  
Control System ArcControl range or any Third Party Controllers  
Operating Modes DMX, Master/Slave, Standalone  
Programs / Functions / Features Editable Program: 3 (up to 40 steps each)  
Settings / Addressing Via RDM communicator or Robe Universal Interface (RUNIT)  
Power Supply Integrated

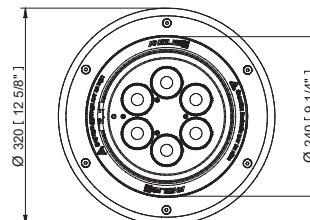
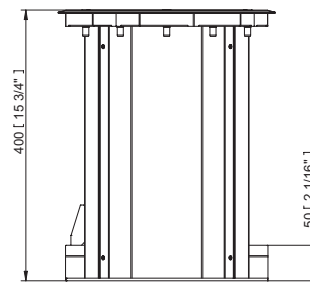
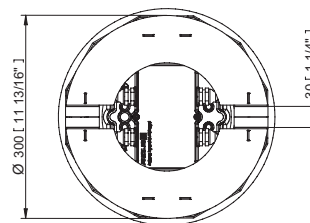
### PHYSICAL

Width x Height x Depth ø320 x 400 mm (ø12.6 x 15.75 in)  
Weight 18.2 kg / 40.1 lbs  
(9 kg / 19.8 lbs ArcSource Inground, 9.2 kg / 20.3 lbs Sleeve)  
Housing High Pressure Die-Cast Aluminium Body - Stainless Steel Flange  
Tempered Glass  
Cables / Connections Integral Junction Box  
Mounting Method External Sleeve  
Adjustability Motorized Tilt +/-15°  
Protection Factor IP68 (1m/3.28ft) / Suitable For Wet Locations  
IK Rating IK10  
Static Load Resistance 35kN  
Cooling System Convection  
Operating Ambient Temperature -20°C / +40°C (-4°F / +104°F)  
Operating Temperature +55°C @ Ambient +40°C (+131°F @ Ambient +104°F)

### CERTIFICATION

Listings ETL / cETL, CE, RoHS

## DIMENSIONS mm [in]:





**Waddesdon Manor - Buckinghamshire, The United Kingdom**





Blue Martini - Orlando, USA

# Ambiane ArcSource Indoor

Ambiane™ RGBW ▶ Pg. 30



Ambiane™ TD, TW, PW ▶ Pg. 29



ArcSource™ 24MC Recessed ▶ Pg. 30



ArcSource™ 140 COB Recessed ▶ Pg. 31



ArcSource™ 4MC ▶ Pg. 32



ArcSource™ 12, ArcSource™ 12 SmartWhite ▶ Pg. 33



# Ambiane™ RGBW

The first in a range of high performance specialist luminaires, the Anolis Ambiane™ downlight is suitable for ambient lighting applications, wall washing and accent lighting. Available in RGBW and tunable white CCT versions with a variety of beam angles, the Ambiane™ has no UV or IR output and is cool running, therefore appropriate for the widest range of applications. With both DMX and DALI control options, combined with a super-efficient LED source and high quality reflectors for optimum light output, the Ambiane™ can produce truly dramatic results! This versatile product is ideal for theatres, concert halls, auditoriums, ballrooms, hotel and commercial building foyers, lounges, restaurants, retail environments, offices, meeting rooms, multiplex and home cinemas.



## TECHNICAL SPECIFICATIONS:

### ELECTRICAL

Input Voltage 24V DC  
Typical Power Consumption 40W +/- 10%

### OPTICAL

Light Source 24 x High Power Single Chip LEDs  
Colour Variants RGBW (W=6500K)  
Red/Green/Blue/CoolWhite  
Beam Angle (w/anti-glare ring) 67°, 80°  
Lumen Output Delivered 1669 lm (RGBW at 67°, with anti-glare ring, 5000K)  
1521 lm (RGBW at 80°, with anti-glare ring, 5000K)  
Projected Lumen Maintenance 50,000 hrs (L70@ 25°C / 77°F)

### CONTROL

Interface Protocol USITT DMX512, RDM, DALI  
Control System ArcControl range or any Third Party Controllers  
Address Setting DIP Switch  
Power Supply ArcPower for Ambiane or Third Party Constant Voltage 24V/60W Power Supply

### PHYSICAL

Width x Height x Depth 232 x 115 x 283 mm / 9.1 x 4.53 x 11.1 in  
Weight 1,8 kg / 4.0 lbs  
Housing High Pressure Die-Cast Aluminium, Plastic Cover  
Finish Options (Front Frame) White (Standard), Black/Silver/Custom RAL (Cost Option)  
Cables / Connections Terminal Block  
Mounting Method Recessed, Via Two Spring Clips. Cut-out Diameter: 212mm / 8.34 in  
Protection Factor IP20 (Option: IP54 with attached front diffuser glass)  
IC Rating Non-IC Rated  
Cooling System Convection  
Operating Ambient Temperature -20°C / +40°C (-4°F / +104°F)  
Operating Temperature 75°C @ Ambient +35°C (167°F @ Ambient +95°F)  
Total Heat Dissipation 136 BTU/h (calculated)

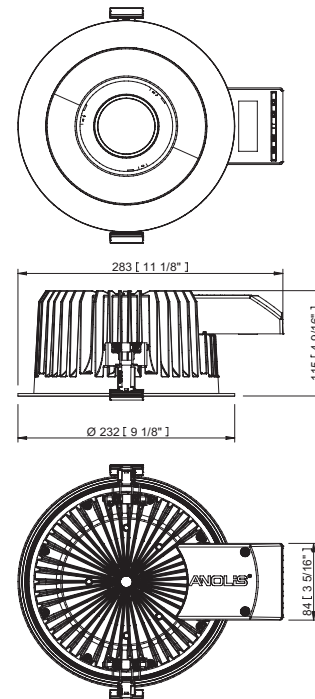
### CERTIFICATION

Listings ETL / cETL, CE, RoHS

### ACCESSORIES

Anti-Glare Ring (detachable)  
Diffuser Glass - for IP54 version (Optional)  
Adaptor Ring + Spring Clip Set (Optional)

## DIMENSIONS mm [in]:



# Ambiane™ TD, TW, PW

The New Ambiane™ range of white and tunable white downlights offers various performance options, creating the perfect white light environment for the widest range of applications. Adjusting the colour temperature can change the mood of any environment. Ambiane™ is available in an assortment of beam angles and controllable by DMX, DALI or 0-10V. Ambiane™ TD (Tungsten Dim) has ultra-smooth 18-bit dimming and variations in warm white light from 3200K down to 1000K are achievable giving Ambiane™ TD the true feel of a traditional incandescent dimming curve. Ambiane™ TW (Tunable White) also with 18-bit dimming, delivers impressive output with a CCT range from a warm 2700K to a clean, bright 6500K. Ambiane™ PW (Pure White) is the perfect solution when a fixed colour temperature is required. Available in a variety of colour temperatures (2700K, 3200K, 4000K, 5000K, 6500K).



## TECHNICAL SPECIFICATIONS:

### ELECTRICAL

Input Voltage 24V DC  
Typical Power Consumption 40W +/- 10%

### OPTICAL

Light Source 24x30x High Power Single Chip LEDs  
Colour Variants TW (Tunable White), TD (Tungsten Dimming), PW (Pure White)  
Beam Angle (w/anti-glare ring) 67°, 80°  
Lumen Output Delivered  
1742lm (TW 2700K, at 67°, with anti-glare ring)  
2463lm (TW 6500K, at 67°, with anti-glare ring)  
1589lm (TW 2700K, at 80°, with anti-glare ring)  
2343lm (TW 6500K, at 80°, with anti-glare ring)  
1839lm (TD 3200K, at 67°, with anti-glare ring)  
1670lm (TD 3200K, at 80°, with anti-glare ring)  
1817lm (PW 3200K, at 67°, with anti-glare ring)  
1657lm (PW 3200K, at 80°, with anti-glare ring)  
Projected Lumen Maintenance 50,000 hrs (L70@ 25°C / 77°F)

### CONTROL

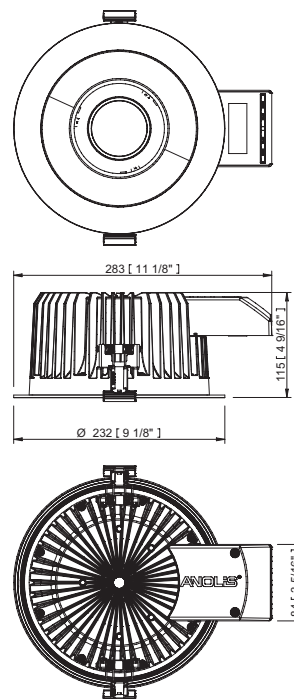
Interface Protocol DMX512, DALI, 0-10V, (TD, PW)  
Control System ArcControl range or any Third Party Controller  
Address Setting DIP Switch  
Power Supply ArcPower for Ambiane or Third Party Constant Voltage 24V/60W Power Supply

### PHYSICAL

Width x Height x Depth 232 x 115 x 283 mm / 9.1 x 4.53 x 11.1 in  
Weight 1,8 kg / 4.0 lbs  
Housing High Pressure Die-Cast Aluminium, Plastic Cover  
Finish Options White (Standard), Black/Silver/Custom RAL (Cost Option)  
Cables / Connections Terminal Block (Power In, DMX In/Out, DALI In/Out, Back-up Power)  
Mounting Method Recessed, Via Two Spring Clips. Cut-out Diameter: 212mm / 8.34 in  
Protection Factor IP20 (Option: IP54 with attached front diffuser glass)  
IC Rating Non-IC Rated  
Cooling System Convection  
Operating Ambient Temperature -20°C / +40°C (-4°F / +104°F)  
Operating Temperature 75°C @ Ambient +35°C (167°F @ Ambient +95°F)  
Total Heat Dissipation 136 BTU/h (calculated)



## DIMENSIONS mm (in):



### CERTIFICATION

Listings ETL / cETL, CE, RoHS

### ACCESSORIES

Anti-Glare Ring (detachable)  
Diffuser Glass - for IP54 version (Optional)  
Adaptor Ring + Spring Clip Set (Optional)



# ArcSource™ 24MC Recessed

Following the industry standard AR1-11 footprint, the ArcSource™ 24MC Recessed brings the greater flexibility of a dynamic LED source to a conventional downlight. With various colour combinations available, as well as a range of beam angles controlled by high quality optics, the ArcSource™ 24MC Recessed adds a different dimension for a downlight installation. Hospitality, retail and commercial applications can all benefit from the flexibility of ArcSource™ 24MC Recessed.



## TECHNICAL SPECIFICATIONS:

### ELECTRICAL

Max. Input Current 350mA or 500mA (per channel)  
 Typical Power Consumption 28W (@350mA), 36W (@500mA)

### OPTICAL

Light Source 6x High Power MultichipLEDs  
 Colour Variants Red/Green/Blue/White, Pure White, Smart White  
 RGBCW (W-6500K), RGBNW (W-4000K), RGBWW (W-3200K),  
 PW (2700K, 4000K, 6500K), SW (2700-6500K)  
 Beam Angle 24°, 31°, 37°, 60°  
 Lumen Output Delivered 1272lm (RGBCW at 37°, 350mA),  
 1654lm (RGBCW at 37°, 500mA)  
 Projected Lumen Maintenance 60,000 hrs (L70@ 25°C / 77°F)

### CONTROL

Interface Protocol DMX512  
 Control System ArcControl range or any Third Party Controller  
 Power Supply ArcPower Range (350mA only), DRS,  
 ArcPower Rack Unit (350mA/500mA)

### PHYSICAL

Width x Height x Depth 250 x 223 x 250 mm (9.84 x 8.8 x 9.84 inches) Incl. Trim Kit  
 Weight 3 kg (6.6 lb) Including Mounting Trim Kit  
 Housing Precision Turned Aluminium  
 Glass Cover  
 Finish Options LED module: Black  
 Mounting Trim Kit: Silver/Black/White,  
 Custom RAL (upcharge option)  
 Cables / Connections 24 AWG x 4P Cat5 cable - 1.3m (4.26ft) - RJ45  
 Mounting Method Mounting Trim Kit (Included)  
 Cut-out Diameter 230mm, +2/-0mm (9.05, +0.08/-0 in)  
 Adjustability 15° Tilt (From Vertical Axis)  
 Protection Factor IP20 / Suitable For Dry Locations  
 IC Rating Non-IC Rated  
 Cooling System Convection  
 Operating Ambient Temperature -20°C / +45°C (-4°F / +113°F)  
 Max. Surface Temperature 70°C (158°F)

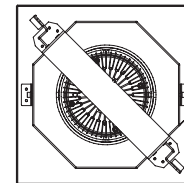
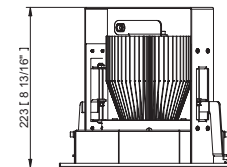
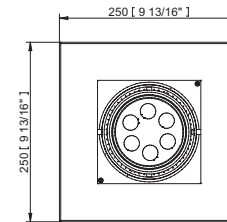
### CERTIFICATION

Listings ETL / cETL, CE, RoHS pending

### ACCESSORIES

Mounting Trim Kit (included)

## DIMENSIONS mm [in]:



# ArcSource™ 140 COB Recessed

When conventional LED down lighters are unable to deliver the performance often required for retail showroom, exhibition and hospitality specifications, the ArcSource™ 140 COB comes into its own. Utilizing the latest chip-on-board technology, this 140 watt downlight is able to achieve light output in excess of 8000 lumens. A unique combination of collimator and reflector optics produces the highest quality light output with an extremely flat field, with various CCT variants available. ArcSource™ 140 COB offers performance levels not previously achievable in a traditional downlight form factor.



Ambiance, ArcSource Indoor

## TECHNICAL SPECIFICATIONS:

### ELECTRICAL

Input Voltage 48V DC  
Typical Power Consumption 150W (CE) / 100W (US), +/- 5%

### OPTICAL

Light Source 1x 130W COB LED  
Colour Variants Pure White  
PW (2700K, 3000K, 4000K, 6000K)  
CRI 96 (2700K), 93 (3000K), 80 (4000K), 82 (6000K)  
Beam Angle 23°, 35°  
Lumen Output Delivered 6747lm (2700K @ 23°, CE-150W), 10880lm (5800K @ 23°, CE-150W)  
4900lm (2700K @ 23°, US-100W), 7091lm (5800K @ 23°, US-100W)  
Projected Lumen Maintenance 60,000 hrs (L70 @ 25°C / 77°F)

### CONTROL

Interface Protocol USITT DMX512, RDM, DALI, 0-10V  
Control System ArcControl range or any Third Party Controller  
Power Supply Third Party Constant Voltage Power Supply 48V/150W (CE)/48V/100W(US), ArcPower 150-48 (CE), ArcPower 100-48 (US), DRS (Pixel Zone), ArcPower Rack Unit Pixel, ArcPixel Power

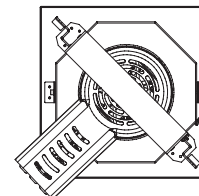
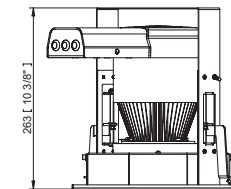
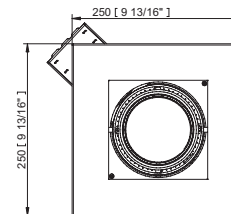
### PHYSICAL

Width x Height x Depth 250 x 263 x 250 mm (9.84 x 10.35 x 9.84 inches) Incl. Trim Kit  
Weight 4 kg (8.8 lb) Including Mounting Trim Kit  
Finish Options LED module: Black  
Mounting Trim Kit: Silver/Black/White, Custom RAL (upcharge option)  
Terminal Blocks (Screw) Li9Y11Y, 2xAWG16+1xAWG 20 (Recommended)  
Mounting Trim Kit (Included)  
Cut-out Diameter 230mm, +2/-0mm (9.05, +0.08/-0 in)  
Adjustability 10° Tilt (From Vertical Axis)  
Protection Factor IP20 / Suitable For Dry Locations  
IC Rating Non-IC Rated  
Cooling System Fan Cooled, Protection Against Overheating  
Operating Ambient Temperature -20°C / +45°C (-4°F / +113°F)  
Max. Surface Temperature 60°C (140°F)

### CERTIFICATION

Listings ETL / cETL, CE, RoHS

## DIMENSIONS mm [in]:



### ACCESSORIES

Mounting Trim Kit (included)  
Anti-Glare Louvre (optional)  
Diffuser 28° (optional)  
Diffuser 40° (optional)  
Diffuser 50° (optional)  
Diffuser Holder (optional)

# ArcSource™ 4MC

ArcSource™ 4MC - with spectacular performance and seamless colour mixing, ArcSource™ 4MC renders the best homogeneous colour output and most precise single-point-of-colour emission. Advanced cooling and driving technologies have been optimized to give maximum light output, and together with the longevity of the LEDs, this is a very energy efficient architectural fixture.



## TECHNICAL SPECIFICATIONS:

### ELECTRICAL

Typical Power Consumption 4.4W  
Max. Input Current 350mA (per channel)

### OPTICAL

Light Source 1 x 4W Multichip LED  
Colour Variants RGBW (W=CW-6500K, NW-4200K), PW (3200K, 6500K), SW (2700-6500K)  
Red/Green/Blue/White, Pure White, Smart White  
Beam Angle 16°, 29° (23°, 33° With Diffuser)  
Lumen Output Delivered 200lm (RGBCW at 16°)  
Projected Lumen Maintenance 60,000 hrs ( L70@ 25°C / 77°F)

### CONTROL

Power Supply ArcPower Range

### PHYSICAL

Width x Height x Depth Inches: 3.58 x ø1.97  
mm: 91 x ø50  
Weight lbs: 0.55  
kg: 0.25  
Housing Precision Turned Aluminium  
Cables / Connections 24 AWG x 4P Cat 5 - 1.5m [4.92ft] - RJ45  
Mounting Method MR16 Trim with Spring Clip  
Adjustability N/A  
Protection Factor IP20  
Cooling System Convection  
Operating Ambient Temperature -20°C / +40°C [-4°F / +104°F]  
Operating Temperature 58°C @ Ambient +40°C [+136°F @ Ambient +104°F]

### CERTIFICATION

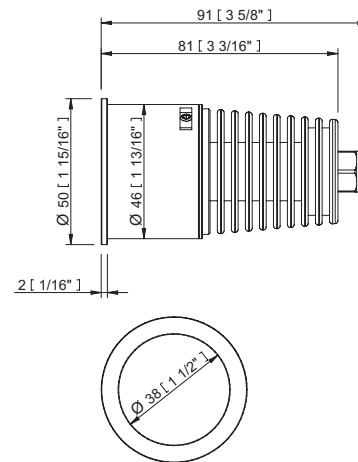
Listings ETL / cETL, CE, RoHS

### ACCESSORIES

Splitter 1pcs (included)  
Diffuser 1pc (included)  
MR16 Trim With Spring Clip, Chrome (included)  
Tilttable MR16 Trim, White



## DIMENSIONS mm [in]:



## ACCESSORIES:

MR16 Trim with Spring Clip, Chrome (included)



# ArcSource 12™, ArcSource™ 12 SmartWhite

The Anolis ArcSource™ 12 combines state of the art lighting technology within an industry standard AR-111 size fitting to create a truly specifier class lighting product. The highest quality optical system ensures that the desired effect can be achieved in the widest range of applications possible. Utilising high powered LEDs the Anolis ArcSource™ 12 RGB is unsurpassed in performance, reliability and quality.



## TECHNICAL SPECIFICATIONS:

### ELECTRICAL

Typical Power Consumption 13.6W  
Max. Input Current 350mA (per channel)

### OPTICAL

Light Source 12 x 1W LEDs  
Colour Variants RGBW (W=WW-3200K, CW-6500K), RGB, R, G, B, A, PW (3200K, 4300K, 6500K), SW (3200-6500K) Red/Green/Blue/White, Red, Green, Blue, Amber, Pure White, Smart White

Beam Angle 10°, 18°, 29°, 32°  
14°, 23°, 31°, 36° SmartWhite

Lumen Output Delivered 515lm (RGB at 10°)  
Projected Lumen Maintenance 50,000 hrs ( L70 @ 25°C / 77°F)

### CONTROL

Power Supply ArcPower Range

### PHYSICAL

Width x Height x Depth Inches: 2.13 x ø4.37  
mm: 54 x ø111

Weight lbs: 1.32  
kg: 0.6

Housing Precision Turned Aluminium  
Glass Cover

Fixture Cables and Connections 24 AWG x 4P Cat 5 - 1.5m (4.92ft) - RJ45  
Mounting Method AR111 Housing and Spring Clip (NOT SUPPLIED)

Adjustability N/A

Protection Factor IP20

Cooling System Convection

Operating Ambient Temperature -20°C / +40°C (-4°F / +104°F)

Operating Temperature +60°C @ Ambient +25°C (+140°F @ Ambient +77°F)

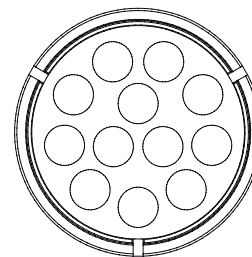
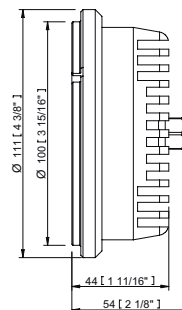
### CERTIFICATION

Listings CE, RoHS

### ACCESSORIES

Splitter 1pcs (See Splitter Technical Guide)

## DIMENSIONS mm [in]:







**Mall of Africa - Midrand, South Africa**



**Mall of Africa - Midrand, South Africa**

Photo credit: DWR & Peter Hassall

# ArcLine Outdoor & Mini Outdoor

ArcLine™ Outdoor Optic 20MC, 40MC ▶ **Pg. 38**



ArcLine Outdoor™ Optic 20MC SW, 40MC SW ▶ **Pg. 39**



ArcLine™ Outdoor Optic 6, 12, 18, 24, 36 ▶ **Pg. 40**



ArcLine™ Double Outdoor Optic 24, 36, 48, 72 ▶ **Pg. 41**



ArcLine™ Mini Outdoor 9, 12, 18, 27, 36 ▶ **Pg. 43**





# ArcLine™ Outdoor Optic 20MC, 40MC

Utilizing the latest research for the design and manufacturing process, the ArcLine™ Outdoor Optic MC brings the supreme reliability and quality of the ArcLine™ range to the outdoor world. Smooth colour mixing is ensured by using a new generation of high-powered LED multichips, combined with the best homogeneous colour distribution system and precise single-point-of-colour emission. Combined with the high light output and longevity of the LEDs and user-definable colour variants, the Anolis ArcLine™ Outdoor sets the standard for all types of contemporary exterior lighting schemes.



## TECHNICAL SPECIFICATIONS:

### ELECTRICAL

Typical Power Consumption 22W (20MC), 44W (40MC)  
Max. Input Current 350mA (per channel)

### OPTICAL

Light Source 5 x (20MC) , 10 x (40MC) High Power LEDs  
Colour Variants RGBW (W=CW-6500K, NW-4200K)  
Red / Green / Blue / White  
Beam Angle 27°, 36°, 21°x36°  
Lumen Output Delivered 20MC: 1114lm (RGBCW at 27°, 350mA)  
40MC: 2208lm (RGBCW at 27°, 350mA)  
Projected Lumen Maintenance 60,000 hrs ( L70@ 25°C / 77°F)

### CONTROL

Control System ArcControl range or any Third Party Controllers  
Power Supply ArcPower Range

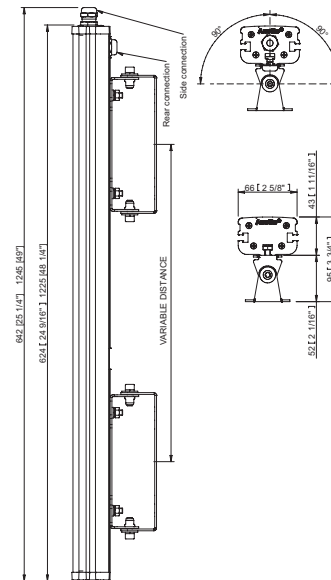
### PHYSICAL

Width x Height x Depth Inches: 25.28, 49.01 x 3.74 x 2.6  
mm: 642, 1245 x 95 x 66  
Weight lbs: 7.06, 12.8  
kg: 3.2, 5.8  
Housing Extruded Aluminium  
Glass cover  
Finish Options Silver (STD), Black/White/custom RAL (cost option)  
Cables / Connections LiYY 8xAWG22 - 0.5m Long (1.64ft) - Chogori IP67 Connector  
Mounting Method Mounting Brackets  
Adjustability +/-90°  
Protection Factor IP65  
IK Rating IK08  
Cooling system Convection  
Operating Ambient Temperature -20°C / +40°C (-4°F / +104°F)  
Operating Temperature +50°C @ Ambient +40°C [+122°F @ Ambient +104°F]

### CERTIFICATION

Listings ETL / cETL, CE, RoHS

## DIMENSIONS mm [in]:



### ACCESSORIES

Allen Key (Included)  
Chogori Connector, 8-Pin Female IP67 (Included)  
Chogori Connector, 8-Pin Male IP67  
Chogori T-Connector, 8-Pin  
Chogori Waterproof Cap, Male  
Chogori Waterproof Cap, Female  
Chogori Extension Cable, 8-Pin, (M-F)  
Chogori Female to RJ45 Adaptor Cable (Various cable lengths available: 3m, 7m, 15m, 20m, and as specified)

# ArcLine™ Outdoor Optic 20MC SW, 40MC SW

With all the benefits of the ArcLine™ Outdoor 20/40MC including supreme reliability, high IP rating and quality optics, the ArcLine™ Outdoor Optic 20/40MC SW allows dramatic dynamic white effects for building washing in a wide range of colour temperatures to suit a variety of architectural applications.

Precise DMX control allows the output to smoothly fade from rich warm whites to clean crisp cool white transforming the surrounding environment.



## TECHNICAL SPECIFICATIONS:

### ELECTRICAL

Typical Power Consumption 22W (20MC), 44W (40MC)  
Max. Input Current 350mA (per channel)

### OPTICAL

Light Source 5 x (20MC) , 10 x (40MC) High Power LEDs  
Colour Variants SW (2700-6500K), PW (3200K, 6500K)  
Smart White, Pure White

Beam Angle 27°, 36°, 21°x36°  
Projected Lumen Maintenance 60,000 hrs ( L70@ 25°C / 77°F)

### CONTROL

Control System ArcControl range or any Third Party Controllers  
Power Supply ArcPower Range

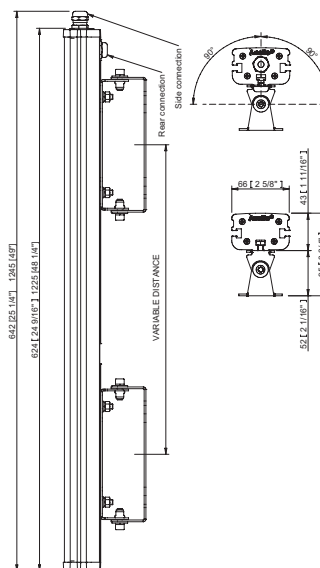
### PHYSICAL

Width x Height x Depth Inches: 25.28, 49.01 x 3.74 x 2.6  
mm: 642, 1245 x 95 x 66  
Weight lbs: 7.06, 12.8  
kg: 3.2, 5.8  
Housing Extruded Aluminium  
Glass cover  
Finish Options Silver (STD), Black/White/custom RAL (cost option)  
Cables / Connections LiYY 8xAWG22 - 0.5m Long (1.64ft) - Chogori IP67 Connector  
Mounting Method Mounting Brackets  
Adjustability +/-90°  
Protection Factor IP65  
IK Rating IK08  
Cooling system Convection  
Operating Ambient Temperature -20°C / +40°C (-4°F / +104°F)  
Operating Temperature +50°C @ Ambient +40°C (+122°F @ Ambient +104°F)

### CERTIFICATION

Listings ETL / cETL, CE, RoHS

## DIMENSIONS mm (in):



### ACCESSORIES

Allen Key (Included)  
Chogori Connector, 8-Pin Female IP67 (Included)  
Chogori Connector, 8-Pin Male IP67  
Chogori T-Connector, 8-Pin  
Chogori Waterproof Cap, Male  
Chogori Waterproof Cap, Female  
Chogori Extension Cable, 8-Pin, (M-F)  
Chogori Female to RJ45 Adaptor Cable  
(Various cable lengths available:  
3m, 7m, 15m, 20m, and as specified)

# ArcLine™ Outdoor Optic 6, 12, 18, 24, 36

With a balanced design profile and by using the highest quality materials, the ArcLine™ Outdoor Optic brings the flexibility of the ArcLine™ range to the outdoor world.

Available in either single or double configurations and using the latest high-powered LEDs the ArcLine™ Outdoor is the perfect solution for both landscape and building illumination. With an IP rating of 65 the ArcLine™ Outdoor will be suitable for the toughest exterior installations. Power and control is provided by the ArcPower™ 36, 72, 144, 360.



## TECHNICAL SPECIFICATIONS:

### ELECTRICAL

Typical Power Consumption 6.8W, 13.6W, 20.4W, 27.2W, 40.8W  
Max. Input Current 350mA/700mA (per channel)

### OPTICAL

Light Source 6, 12, 18, 24, 36, x High Power LEDs  
Colour Variants RGBW (W-WW-3200K, CW-6500K), R, G, B, A, PW (3200K, 4300K, 6500K), SW (3200-6500K)  
Red/Green/Blue/White, Red, Green, Blue, Amber, Pure White, Smart White  
Beam Angle RGB/RGBW: 12°, 19°, 25°, 31°, 47°x11°  
PW/SW: 16°, 25°, 28°, 35°, 45°x18°  
Lumen Output Delivered 36: 1738lm (RGB at 13°, 350mA), 3534lm (PW 3000K at 16°, 350mA)  
Projected Lumen Maintenance 50,000 hrs (L70@ 25°C / 77°F)

### CONTROL

Control System ArcControl range or any Third Party Controllers  
Power Supply ArcPower Range

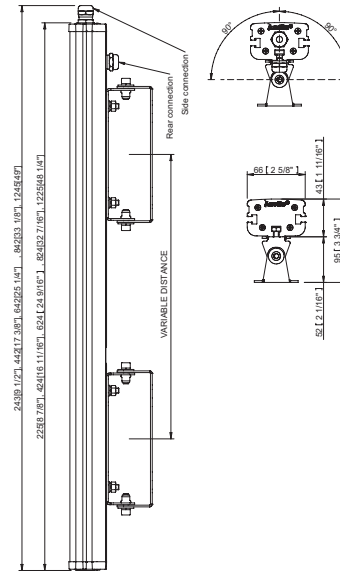
### PHYSICAL

Width x Height x Depth Inches: 9.57, 17.4, 25.28, 33.15, 49.01 x 3.74 x 2.6  
mm: 243, 442, 642, 842, 1245 x 95 x 66  
Weight lbs: 2.43, 4.41, 7.72, 8.82, 11.91  
kg: 1.1, 2, 3.5, 4, 5.4  
Housing Extruded Aluminium  
Glass cover  
Finish Options Silver (STD), Black/White/custom RAL (cost option)  
Cables / Connections LiYY 8xAWG22 - 0.5m Long (1.64ft) - Chogori IP67 Connector  
Mounting Method Mounting Brackets  
Adjustability +/-90°  
Protection Factor IP65  
IK Rating IK08  
Cooling system Convection  
Operating Ambient Temperature -20°C / +40°C (-4°F / +104°F)  
Operating Temperature +50°C @ Ambient +40°C (+122°F @ Ambient +104°F)

### CERTIFICATION

Listings ETL / cETL, CE, RoHS

## DIMENSIONS mm [in]:



### ACCESSORIES

Allen Key (Included)  
Chogori Connector, 8-Pin Female IP67 (Included)  
Chogori Connector, 8-Pin Male IP67  
Chogori T-Connector, 8-Pin  
Chogori Waterproof Cap, Male  
Chogori Waterproof Cap, Female  
Chogori Extension Cable, 8-Pin, (M-F)  
Chogori Female to RJ45 Adaptor Cable (Various cable lengths available: 3m, 7m, 15m, 20m, and as specified)

# ArcLine™ Double Outdoor Optic 24, 36, 48, 72

With a balanced design profile and by using the highest quality materials the ArcLine™ Outdoor Optic brings the flexibility of the ArcLine™ range to the outdoor world.

Available in either single or double configurations and using the latest high-powered LEDs the ArcLine™ Outdoor is the perfect solution for both landscape and building illumination. With an IP rating of 65 the ArcLine™ Outdoor will be suitable for the most demanding exterior installations. Power and control provided by the ArcPower™ 36, 72, 144, 360.



## TECHNICAL SPECIFICATIONS:

### ELECTRICAL

Typical Power Consumption 27.2W, 40.8W, 54.4W, 81.6W  
Max. Input Current 350mA (per channel)

### OPTICAL

Light Source 24, 36, 48, 72 High Power LEDs  
Colour Variants RGBW (W-WW-3200K, CW-6500K), RGB, R, G, B, A, PW (3200K, 4300K, 6500K), SW (3200-6500K) Red/Green/Blue/White, Red, Green, Blue, Amber, Pure White, Smart White

Beam Angle RGB/RGBW: 13°, 21°, 26°, 28°, 47°x12°

PW/SW: 16°, 25°, 28°, 30°, 45°x18°  
Lumen Output Delivered 72: 3476lm (RGB at 13°, 350mA), 6816lm (PW 3200K at 16°, 350mA)  
Projected Lumen Maintenance 50,000 hrs (L70@ 25°C / 77°F)

### CONTROL

Control System ArcControl range or any Third Party Controllers  
Power Supply ArcPower Range

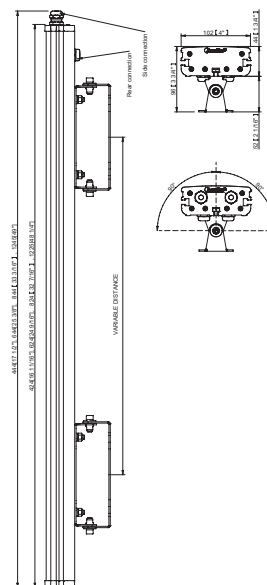
### PHYSICAL

Width x Height x Depth Inches: 17.48, 25.35, 33.23, 49.01 x 3.78 x 4.02  
mm: 444, 644, 844, 1245 x 96 x 102  
Weight lbs: 4.9, 10.3, 12.13, 18.12  
kg: 3.21, 4.6, 5.8, 8.5  
Housing Extruded Aluminium  
Glass cover  
Finish Options Silver (STD), Black/White/custom RAL (cost option)  
Cables / Connections LiYY 8xAWG22 - 1x(2x) 0.5m Long (1.64ft) - Chogori IP67 Connector  
Mounting Method Mounting Brackets  
Adjustability +/-60°  
Protection Factor IP65  
Cooling system Convection  
Operating Ambient Temperature -20°C / +40°C [-4°F / +104°F]  
Operating Temperature +50°C @ Ambient +40°C [+122°F @ Ambient +104°F]

### CERTIFICATION

Listings CE, RoHS, ETL / cETL

## DIMENSIONS mm [in]:



### ACCESSORIES

Allen Key (Included)  
Chogori Connector, 8-Pin Female IP67 (Included)  
Chogori Connector, 8-Pin Male IP67  
Chogori T-Connector, 8-Pin  
Chogori Waterproof Cap, Male  
Chogori Waterproof Cap, Female  
Chogori Extension Cable, 8-Pin, [M-F]  
Chogori Female to RJ45 Adaptor Cable  
(Various cable lengths available:  
3m, 7m, 15m, 20m, and as specified)

# ArcLine™ Mini Outdoor 9, 12, 18, 27, 36

ArcLine™ Mini Outdoor combines the latest high output Luxeon Rebel LEDs with extremely compact custom extruded housing, with a diameter of only 27 mm allowing a high-powered linear LED solution for areas previously inaccessible for traditionally larger linear fittings.

Suitable for indoor applications as well as exterior due to a high IP rating, ArcLine™ Mini Outdoor provides a wide range of static white and various colour configurations bringing dynamic lighting schemes to life.

In/Out version for daisy chain connection.



## TECHNICAL SPECIFICATIONS:

### ELECTRICAL

Typical Power Consumption 10.2W, 13.1W, 20.4W, 30.6W, 41W  
Max. Input Current 350mA (per channel)

### OPTICAL

Light Source 9, 12, 18, 27, 36 High Power LEDs  
Colour Variants RGB, R, G, B, PW (3000K, 4000K, 6500K), SW (3000-6500K)  
Red/Green/Blue, Red, Green, Blue, Pure White, Smart White  
Beam Angle Non-Optic; RGB 127°x119°, White 115°x113°  
Lumen Output Delivered 36: 1023lm (RGB at 13°), 1431lm (PW 3000K, non-optic)  
Projected Lumen Maintenance 60,000 hrs ( L70@ 25°C / 77°F)

### CONTROL

Control System ArcControl range or any Third Party Controllers  
Power Supply ArcPower Range

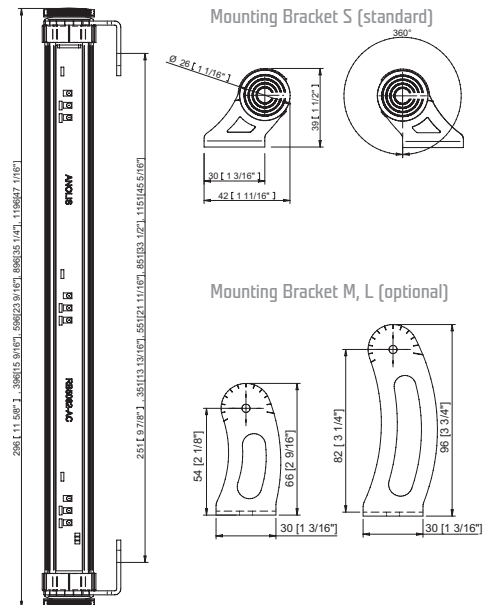
### PHYSICAL

Width x Height x Depth Inches: 11.67, 15.59, 23.46, 35.28, 47.08  
mm: 296, 396, 596, 896, 1196  
Weight lbs: 0.42, 0.57, 0.84, 1.26, 1.70  
kg: 0.19, 0.26, 0.38, 0.57, 0.77  
Housing Extruded Aluminium  
Silicone cover  
Cables / Connections Igus CF9.03.04 - 0.5m Long - Chogori IP67 Connector  
In/Out version: Igus CF9.03.04 - 2x0.5m Long (2x1.64ft) - Chogori IP67 Connectors  
In/Out version For Daisy Chain Connection  
Mounting Method Mounting Brackets  
Adjustability 360°  
Protection Factor IP67  
Cooling system Convection  
Operating Ambient Temperature -20°C / +40°C [-4°F / +104°F]  
Operating Temperature +65°C @ Ambient +40°C [+149°F @ Ambient +104°F]

### CERTIFICATION

Listings ETL / cETL, CE, RoHS

## DIMENSIONS mm (in):



### ACCESSORIES

Connector Chogori CGRBDU-08BFFA (Female) IP67 (Included)  
Connector Chogori CGRBDU-08BMMMA (Male) IP67  
Connector Waterproof Cap (Male)  
Cable Chogori (Female) - RJ45 3m  
Cable Chogori (Female) - RJ45 7m  
Cable Chogori (Female) - RJ45 15m  
Cable Chogori (Female) - RJ45 20m  
other lengths on request



Millionaire Lounge Cafe - Rimini, Italy





Haven restaurant - Miami, USA

# ArcLine Indoor ArcLink ArcCove

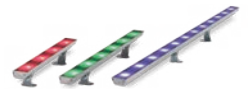
ArcLine™ 20MC, 40MC ▶ **Pg. 46**



ArcLine™ Optic 20MC, 40MC ▶ **Pg. 47**



ArcLine™ 6, 12, 18, 24, 36 ▶ **Pg. 48**



ArcLine™ Optic 6, 12, 18, 24, 36 ▶ **Pg. 49**



ArcLine™ 6 SW, 12 SW, 18 SW, 24 SW, 36 SW ▶ **Pg. 50**  
ArcLine™ Optic 6 SW, 12 SW, 18 SW, 24 SW, 36 SW



ArcLink™ 3, 4 ▶ **Pg. 51**  
ArcLink™ Optic 3, 4



ArcCove™ Standard, Rail Mount, Low Profile ▶ **Pg. 52**

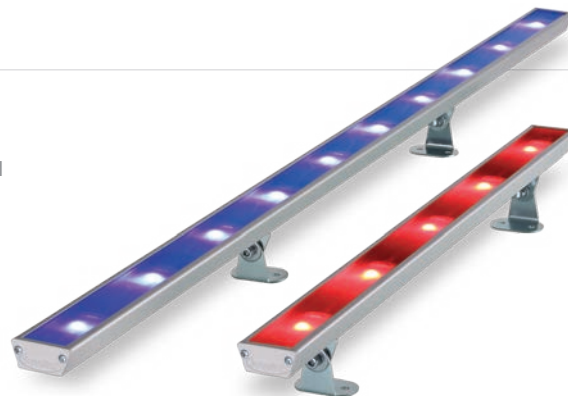


ArcCove™ DataBox, ArcCove™ Power MW ▶ **Pg. 53**



# ArcLine™ 20MC, 40MC

Spectacular combinations of smooth colour mixing is ensured by a new generation of Cree multichip LED technology that allows the best homogeneous colour distribution and precise single point of colour emission for enhanced viewing perception. Combined with high light output and long lumen maintenance together with customizable colour variant, pixel pitch and length of the line, the Anolis ArcLine™ redefines the standard for any modern lighting specifications.



## TECHNICAL SPECIFICATIONS:

### ELECTRICAL

Typical Power Consumption 22W (20MC), 44W (40MC)  
Max. Input Current 350mA/700mA (per channel)

### OPTICAL

Light Source 5 x (20MC), 10 x (40MC) High Power LEDs  
Colour Variants RGBW (W=CW-6500K, NW-4200K), PW (3200K, 6500K), SW (2700-6500K)  
Red/Green/Blue/White, Pure White, Smart White  
Beam Angle Non-optic  
Lumen Output Delivered 20MC: 1025lm (RGBCW, non optic), 40MC: 2047lm (RGBCW, non optic)  
Projected Lumen Maintenance 60,000 hrs ( L70@ 25°C / 77°F)

### CONTROL

Control System ArcControl range or any Third Party Controllers  
Power Supply ArcPower Range

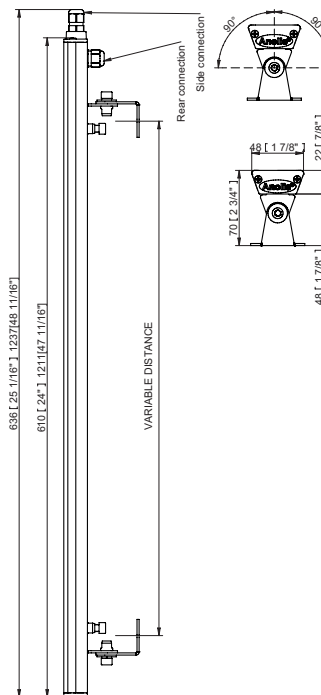
### PHYSICAL

Width x Height x Depth Inches: 25.04, 48.70 x 2.76 x 1.89  
mm: 636, 1237 x 70 x 48  
Weight lbs: 1.99, 3.75  
kg: 0.9, 1.7  
Housing Extruded Aluminium  
Frosted Glass cover  
Finish Options Silver (STD), Black/White/custom RAL (cost option)  
Cables / Connections 24 AWG x 4P Cat 5 - 1.5m (4.92ft) - RJ45  
Mounting Method Mounting Brackets  
Adjustability +/-90°  
Protection Factor IP20  
Cooling system Convection  
Operating Ambient Temperature -20°C / +40°C (-4°F / +104°F)  
Operating Temperature +50°C @ Ambient +25°C (+122°F @ Ambient +77°F)

### CERTIFICATION

Listings ETL / cETL, CE, RoHS

## DIMENSIONS mm [in]:



### ACCESSORIES

Allen Key (Included)  
Splitter 1pcs (See Splitter Technical Guide) (Included)  
Splitter (n/a for ArcLine 40)

# ArcLine™ Optic 20MC, 40MC

This precision high quality optical system combined with a variety of lens options, ranging from the narrowest to the widest angles makes ArcLine™ Optic MC suitable for a broad range of architectural applications. A combination of superior colour mixing and smooth light dispersion results in superior uniform colour output. The spectacular performance of the colour mixing system is ensured utilizing the new generation of Cree multichip LEDs. This allows the best homogeneous colour distribution and most precise single-point-of-colour emission. High light output and longevity of the LEDs together with customizable colour variants sees the Anolis ArcLine™ redefining standards for any modern lighting specification.



## TECHNICAL SPECIFICATIONS:

### ELECTRICAL

Typical Power Consumption 22W (20MC), 44W (40MC)  
Max. Input Current 350mA/700mA (per channel)

### OPTICAL

Light Source 5 x (20MC) , 10 x (40MC) High Power LEDs  
Colour Variants RGBW (W=CW-6500K, NW-4200K), PW (3200K, 6500K), SW (2700-6500K)  
Red/Green/Blue/White, Pure White, Smart White  
Beam Angle 27°, 36°, 21°x36°  
Lumen Output Delivered 20MC: 1114lm (RGBCW at 27°), 40MC: 2222lm (RGBCW at 27°)  
Projected Lumen Maintenance 60,000 hrs ( L70@ 25°C / 77°F)

### CONTROL

Control System ArcControl range or any Third Party Controllers  
Power Supply ArcPower Range

### PHYSICAL

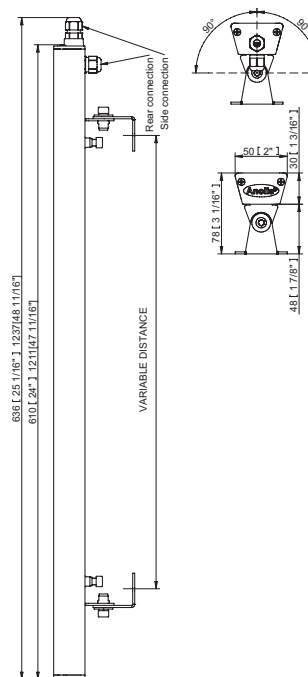
Width x Height x Depth Inches: 25.04, 48.70 x 3.07 x 1.97  
mm: 636, 1237 x 78 x 50  
Weight lbs: 2.43, 4.19  
kg: 1.1, 1.9  
Housing Extruded Aluminium  
Glass cover  
Finish Options Silver (STD), Black/White/custom RAL (cost option)  
Cables / Connections 24 AWG x 4P Cat 5 - 1.5m (4.92ft) - RJ45  
Mounting Method Mounting Brackets  
Adjustability +/-90°  
Protection Factor IP20  
Cooling system Convection  
Operating Ambient Temperature -20°C / +40°C (-4°F / +104°F)  
Operating Temperature +50°C @ Ambient +25°C [+122°F @ Ambient +77°F]

### CERTIFICATION

Listings CE, RoHS, ETL/cETL



## DIMENSIONS mm (in):



### ACCESSORIES

Allen Key (Included)  
Splitter 1pcs (See Splitter Technical Guide) (Included)  
Splitter (n/a for ArcLine Optic 40)

# ArcLine™ 6, 12, 18, 24, 36

The Anolis ArcLine™ combines state of the art lighting technology with a balanced design profile to create truly specifier-class lighting systems. Using only the finest materials and precision manufacturing techniques the Anolis ArcLine™ provide the professional solution for your lighting requirements. The highest quality wide angle LEDs ensure that a constant effect is delivered in the widest range of application possibilities. Utilizing high-powered LEDs the Anolis ArcLine™ is unsurpassed in performance, reliability and quality.



## TECHNICAL SPECIFICATIONS:

### ELECTRICAL

Typical Power Consumption 6.8W, 13.6W, 20.4W, 27.2W, 40.8W  
Max. Input Current 350mA/700mA (per channel)

### OPTICAL

Light Source 6, 12, 18, 24, 36, x High Power LEDs  
Colour Variants RGBW (W-WW-3200K, CW-6500K), RGB, R, G, B, A  
Red / Green / Blue / Red, Amber, Green, Blue, White  
Beam Angle Non-optic  
Lumen Output Delivered 36: 1595lm (RGB, non-optic), 3370lm (PW 3200K, non-optic)  
Projected Lumen Maintenance 50,000 hrs ( L70@ 25°C / 77°F)

### CONTROL

Control System ArcControl range or any Third Party Controllers  
Power Supply ArcPower Range

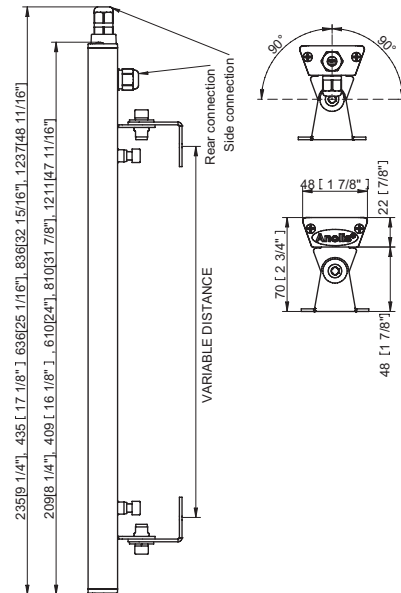
### PHYSICAL

Width x Height x Depth Inches: 9.25, 17.13, 25.04, 32.91, 48.70 x 2.76 x 1.89  
mm: 235, 435, 636, 836, 1237 x 70 x 48  
Weight lbs: 0.66, 1.32, 1.76, 2.21, 3.31  
kg: 0.3, 0.6, 0.8, 1, 1.5  
Housing Extruded Aluminium  
Glass cover  
Finish Options Silver (STD), Black/White/custom RAL (cost option)  
Cables / Connections 24 AWG x 4P Cat 5 - 1.5m (4.92ft) - RJ45  
Mounting Method Mounting Brackets  
Adjustability +/-90°  
Protection Factor IP20  
Cooling system Convection  
Operating Ambient Temperature -20°C / +40°C (-4°F / +104°F)  
Operating Temperature +50°C @ Ambient +25°C (+122°F @ Ambient +77°F)

### CERTIFICATION

Listings ETL / cETL, CE, RoHS

## DIMENSIONS mm (in):



### ACCESSORIES

Allen Key (Included)  
Splitter 1pcs (See Splitter Technical Guide) (Included)  
Splitter (n/a for ArcLine 36)



# ArcLine™ Optic 6, 12, 18, 24, 36

The Anolis ArcLine™ Optic range combines state of the art lighting technology with a balanced design profile to create truly specifier-class lighting systems. Using only the finest materials and precision manufacturing techniques the Anolis ArcLine™ provides the professional solution for your lighting requirements.

The highest quality optics ensure that a constant effect is delivered in the widest range of application possibilities. Utilizing high-powered LEDs the Anolis ArcLine™ Optic range is unsurpassed in performance, reliability and quality.



## TECHNICAL SPECIFICATIONS:

### ELECTRICAL

Typical Power Consumption 6.8W, 13.6W, 20.4W, 27.2W, 40.8W  
Max. Input Current 350mA/700mA (per channel)

### OPTICAL

Light Source 6, 12, 18, 24, 36, x High Power LEDs  
Colour Variants RGBW (W-WW-3200K, CW-6500K), RGB, R, G, B, A  
Red / Green / Blue / Red, Amber, Green, Blue, White  
Beam Angle 10°, 20°, 30°, 47°x11°  
Lumen Output Delivered 36: 1624lm (RGB at 10°)  
Projected Lumen Maintenance 50,000 hrs ( L70@ 25°C / 77°F)

### CONTROL

Control System ArcControl range or any Third Party Controllers  
Power Supply ArcPower Range

### PHYSICAL

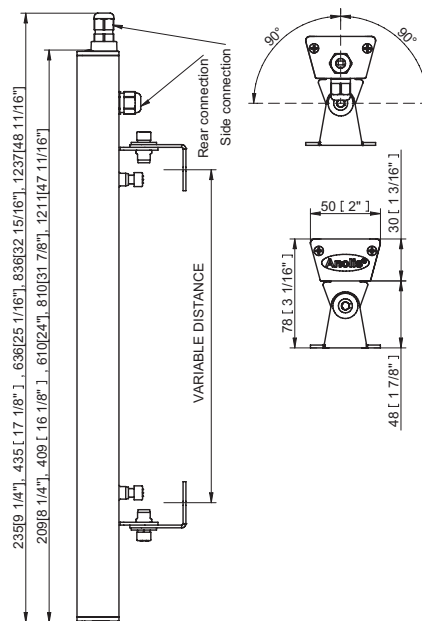
Width x Height x Depth Inches: 9.25, 17.13, 25.04, 32.91, 48.70 x 3.07 x 1.97  
mm: 235, 435, 636, 836, 1237 x 78 x 50  
Weight lbs: 1.06, 1.66, 2.32, 2.9, 4.2  
kg: 0.48, 0.75, 1.05, 1.3, 1.9  
Housing Extruded Aluminium  
Glass cover  
Finish Options Silver (STD), Black/White/custom RAL (cost option)  
Cables / Connections 24 AWG x 4P Cat 5 - 1.5m (4.92ft) - RJ45  
Mounting Method Mounting Brackets  
Adjustability +/-90°  
Protection Factor IP20  
Cooling System Convection  
Operating Ambient Temperature -20°C / +40°C (-4°F / +104°F)  
Operating Temperature +50°C @ Ambient +25°C (+122°F @ Ambient +77°F)

### CERTIFICATION

Listings ETL / cETL, CE, RoHS



## DIMENSIONS mm [in]:



### ACCESSORIES

Allen Key (Included)  
Splitter 1pcs [See Splitter Technical Guide] (Included)  
Splitter (n/a for ArcLine Optic 36)



# ArcLine™ 6 SW, 12 SW, 18 SW, 24 SW, 36 SW

## ArcLine™ Optic 6 SW, 12 SW, 18 SW, 24 SW, 36 SW

When colour rendering is of utmost importance the ArcLine™ Optic Smart White provides the solution. By combining warm white and cool white high powered LEDs with Anolis digital control, a full range of white light from 3200K to 6500K can be achieved.

All this technology is combined with the balanced design profile of the Anolis ArcLine™ Optic along with the highest quality optics to create a truly versatile linear lighting system whenever the environment demands.



### TECHNICAL SPECIFICATIONS:

#### ELECTRICAL

Typical Power Consumption 6.8W, 13.6W, 20.4W, 27.2W, 40.8W  
Max. Input Current 350mA/700mA (per channel)

#### OPTICAL

Light Source 6, 12, 18, 24, 36, x High Power LEDs  
Colour Variants PW (WW-3200K, NW-4300K, CW-6500K), SW (3200-6500K)  
Pure White, Smart White  
Beam Angle Non-optic, 15°, 25°, 31°, 37°, 44°x17°  
Lumen Output Delivered Optic 36: 3408lm (WW at 15°)  
Projected Lumen Maintenance 50,000 hrs ( L70@ 25°C / 77°F)

#### CONTROL

Control System ArcControl range or any Third Party Controllers  
Power Supply ArcPower Range

#### PHYSICAL

Width x Height x Depth Inches: 9.25, 17.13, 25.04, 32.91, 48.70 x 2.76, 3.07 x 1.89, 1.97  
mm: 235, 435, 636, 836, 1237 x 70, 78 x 48, 50

Weight lbs: 1.06, 1.66, 2.32, 2.9, 4.2

kg: 0.48, 0.75, 1.05, 1.3, 1.9

Housing Extruded Aluminium  
Glass cover

Finish Options Silver (STD), Black/White/custom RAL (cost option)

Cables / Connections 24 AWG x 4P Cat 5 - 1.5m (4.92ft) - RJ45

Mounting Method Mounting Brackets

Adjustability +/-90°

Protection Factor IP20

Cooling System Convection

Operating Ambient Temperature -20°C / +40°C (-4°F / +104°F)

Operating Temperature +50°C @ Ambient +25°C (+122°F @ Ambient +77°F)

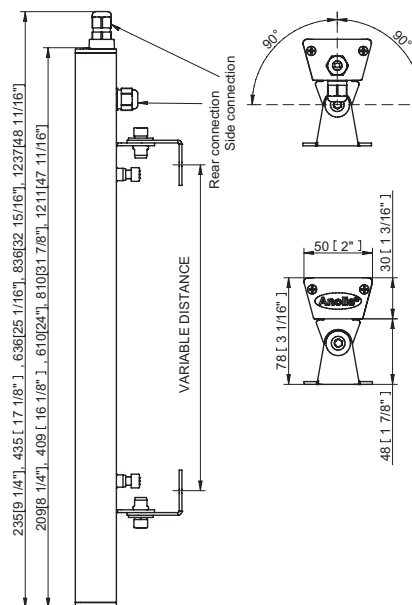
#### CERTIFICATION

Listings ETL / cETL, CE, RoHS



### DIMENSIONS mm (in):

#### ArcLine Optic SW



#### ACCESSORIES

Allen Key (Included)  
Splitter 1pcs (See Splitter Technical Guide) (Included)  
Splitter (n/a for ArcLine 36/ArcLine Optic 36)

# ArcLink™ 3, 4

## ArcLink™ Optic 3, 4

The perfect companion to the ArcLine™ range, ArcLink™ adds a flexible dimension to linear LED lighting combining the latest high-powered LEDs with simple CAT 5 connection and complete with heat sink for thermal management. The compact ArcLink™ can be installed virtually anywhere, including curved alcove lighting and even concealed within furniture or fittings.



### TECHNICAL SPECIFICATIONS:

#### ELECTRICAL

Typical Power Consumption 3.4W, 4.5W  
Max. Input Current 350mA/700mA (per channel)

#### OPTICAL

Light Source 3 x, 4 x High Power LEDs  
Colour Variants RGBW (W=WW-3200K, CW-6500K), R, G, B, A, PW (3200K, 4300K, 6500K), SW (3200-6500K)  
Red/Green/Blue/White, Red, Green, Blue, Amber, Pure White, Smart White  
Beam Angle 10°, 22°, 30°, 34°, 46°x11°, Non Optic: 142°x134°  
Lumen Output Delivered Optic 4: 188lm (RGBWW at 10°)  
Projected Lumen Maintenance 50,000 hrs (L70@ 25°C / 77°F)

#### CONTROL

Control System ArcControl range or any Third Party Controllers  
Power Supply ArcPower Range

#### PHYSICAL

Width x Height x Depth  
Inches: ArcLink 3- 5.55 x 0.79 x 1.14 / ArcLink 4- 5.55 x 0.79 x 1.14  
Inches: ArcLink Optic 3- 5.55 x 0.95 x 1.14  
/ ArcLink Optic 4- 6.50 x 0.95 x 1.34  
mm: ArcLink 3- 141 x 20 x 29 / ArcLink 4- 141 x 20 x 29  
mm: ArcLink Optic 3- 141 x 24 x 29 / ArcLink Optic 4- 165 x 24 x 34  
lbs: 0.11, 0.13  
kg: 0.05, 0.06  
Housing Aluminium  
Cables / Connections ArcLink Patch Cable RJ45  
Mounting Method Mounting Holes  
Protection Factor IP20  
Cooling System Convection  
Operating Ambient Temperature -20°C / +40°C [-4°F / +104°F]  
Operating Temperature +50°C @ Ambient +25°C [+122°F @ Ambient +77°F]

#### CERTIFICATION

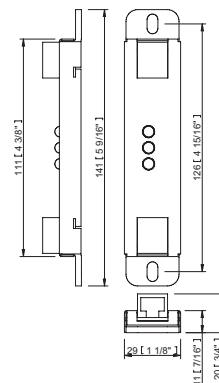
Listings ETL / cETL, CE, RoHS

#### ACCESSORIES

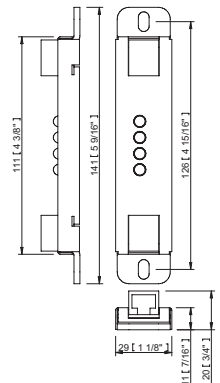
ArcLink Patch Cable 10cm, x 5 (Included)  
RJ45 Termination Plug x 1 (Included)

### DIMENSIONS mm [in]:

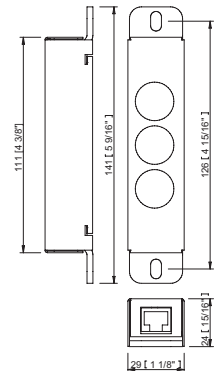
ArcLink 3



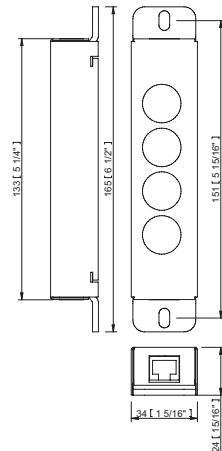
ArcLink 4



ArcLink Optic 3



ArcLink Optic 4



# ArcCove™ Standard, Rail Mount, Low Profile

Anolis ArcCove™ cleverly combines both high light output intensity with energy efficient LED technology to achieve a lighting product that offers a genuine alternative to traditional linear incandescent or fluorescent cove lighting systems.

ArcCove™ has a streamlined profile and various mounting options meaning greater flexibility for a wider variety of applications. The latest LED chip technology combined with a plug and play set up process insures that incredible effects are simple to create.



## TECHNICAL SPECIFICATIONS:

### ELECTRICAL

Input Voltage 24V DC  
Typical Power Consumption 5W (Standard Power Mode), 10.8W (High Power Mode)

### OPTICAL

Light Source 10 x 1W MC LEDs  
Colour Variants RGB, PW (2700K, 6500K), SW (2700-6500K)  
Red / Green / Blue, Pure White, Smart White  
Beam Angle Non-optic  
Lumen Output Delivered 171lm (RGB, non-optic, High Power Mode),  
95lm (RGB, non-optic, Standard Power Mode)  
Projected Lumen Maintenance 50,000 hrs ( L50 @ 50°C / 122°F)

### CONTROL

Control System ArcCove DataBox (Optional Wireless Control)  
Power Supply ArcCove Power MW (Optional Accessories)

### PHYSICAL

Width x Height x Depth Inches: 11.81 x 1.38 x 2.14, 1.77, 1.38  
mm: 300 x 35 x 54.3, 45, 35  
Weight lbs: 0.33  
kg: 0.15  
Housing Moulded Plastic and Transparent Cover  
Cables / Connections 5 Wire Flat Ribbon Cable: UL2468 AWG 18/5C - In and Out Connectors  
Mounting Method Standard Adjustable Tilt / Rail Mount / Low Profile  
Adjustability +/-90° (Standard version only)  
Protection Factor IP20  
Cooling System Convection  
Operating Ambient Temperature -20°C / +40°C (-4°F / +104°F)  
Operating Temperature +65°C @ Ambient +40°C (+149°F @ Ambient +104°F)

### CERTIFICATION

Listings ETL / cETL, CE, RoHS

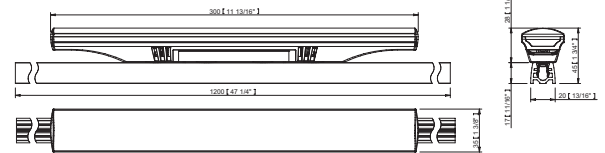
### ACCESSORIES

Allen Key (Included)  
Cable Patch ArcCove 10cm (Included)

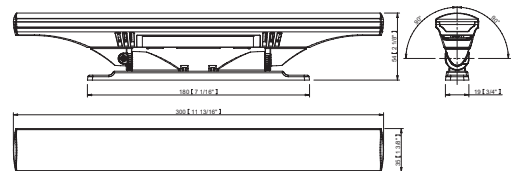


## DIMENSIONS mm (in):

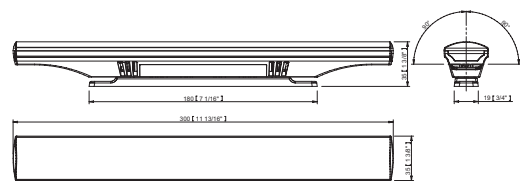
### ArcCove Rail Mount



### ArcCove Standard, Adjustable Tilt



### ArcCove Straight, Low Profile



# ArcCove™ DataBox, ArcCove Power MW

To provide power and control to the ArcCove™, the ArcCove™ DataBox and ArcCove™ Power MW are combined. Together they have very low power consumption yet are capable of powering up to 17 ArcCove™ fixtures with control over 34 individual segments (2 zones per fitting), allowing creative dynamic white and colour change effects to be produced.



## TECHNICAL SPECIFICATIONS:

### ELECTRICAL

|                           |   |
|---------------------------|---|
| Input Voltage             | 100-277V AC 50/60 Hz                                    |
| Typical Power Consumption | 96W   |
| OutPut Voltage            | 24V DC  |
| Rated Current             | 4A  |
| Power Factor              | >95   |
| Protection                | Short Circuit, Overload, Over Voltage, Over Temperature |

### PHYSICAL

|                               |   |
|-------------------------------|---|
| Width x Height x Depth        | Inches: 7.9 x 2.8 x 1.4<br>mm: 200 x 70.5 x 35  |
| Weight                        | lbs: 1.15<br>kg: 0.52   |
| Number of Led Output Zones    | 1   |
| Maximum Load Per Zone         | 17x ArcCove (Standard Mode), 8x ArcCove (High Power Mode)   |
| Max Cable Length              | 100m Depending on number of ArcCoves<br>20m From ArcCove Power to first ArcCove<br>20m between ArcCoves |
| Input connection              | 3-wire cable 18AWG 3C, Length 310mm   |
| LED Output Connection         | 2-wire cable 18AWG 2C, Length 310mm   |
| Mounting Method               | 2 Mounting Holes  |
| Protection Factor             | IP20  |
| Cooling System                | Convection  |
| Operating Ambient Temperature | -30°C / +50°C (-22°F / +122°F)  |

### CONTROL

|                       |                                |
|-----------------------|--------------------------------|
| Control               | 4-Digit LED display, 4 buttons |
| Connection            | DMX and Power Connection Block |
| Wireless DMX (Option) | Lumen Radio CRMX Technology    |

### PHYSICAL

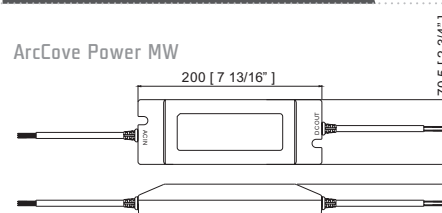
|                        |   |
|------------------------|---|
| Width x Height x Depth | 142 x 55 x 34.5mm [5.59 x 2.17 x 1.36 in] |
| Weight                 | 0.15 kg / 0.33 lbs                        |
| Protection Factor      | IP20                                      |

### CERTIFICATION

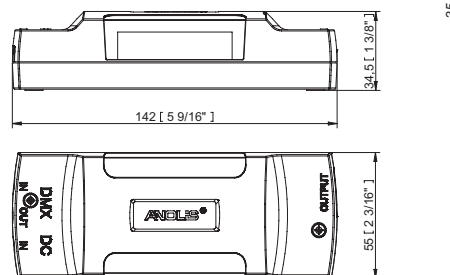
|          |                      |
|----------|----------------------|
| Listings | ETL / cETL, CE, RoHS |
|----------|----------------------|

## DIMENSIONS mm [in]:

### ArcCove Power MW



### ArcCove DataBox



### ACCESSORIES

- Cable connecting ArcCove 1m
- Cable connecting ArcCove 2m
- Cable connecting ArcCove 5m
- Cable connecting ArcCove 10m
- Cable Patch ArcCove 10cm
- Cable Patch ArcCove 15cm
- Cable Patch ArcCove 9.5cm, 90°
- Cable Patch ArcCove 12cm, 90°
- Cable Patch ArcCove 15cm, 90°
- Cable Patch ArcCove 30cm, 90°
- Mounting Rail ArcCove 1.2m
- Mounting Rail ArcCove 2.4m





**Cleveland House - London, The United Kingdom**

# Media Solutions

ArcLine™ Outdoor DVP Integral  
600/900/1200 ▶ **Pg. 56**



Data Configurator™ ▶ **Pg. 57**



ArcPix™ ▶ **Pg. 58**



ArcDot™ ▶ **Pg. 59**



ArcDot™ Flash ▶ **Pg. 60**



ArcSource™ Outdoor 4MC Pixel ▶ **Pg. 61**



ArcSource™ Outdoor 16MC Pixel ▶ **Pg. 62**



ArcPixel™ Power ▶ **Pg. 63**



ANOLIS Media Server™ ▶ **Pg. 64**



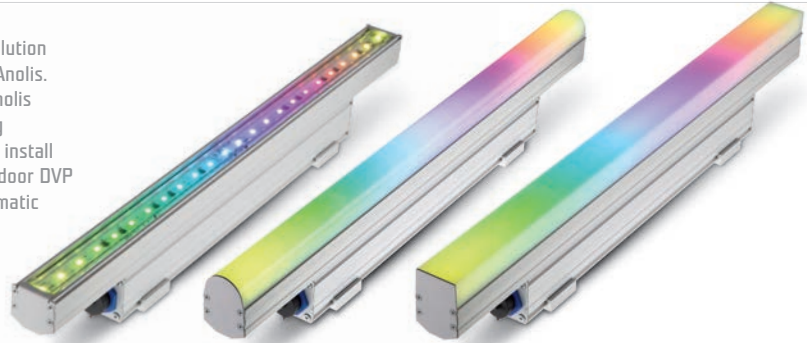
MiniMe™ ▶ **Pg. 65**





# ArcLine™ Outdoor DVP Integral 600/900/1200

An exceptional direct view pixel controlled linear lighting solution is the latest addition to the range of media solutions from Anolis. ArcLine™ DVP has the high IP ratings associated with all Anolis outdoor products and is manufactured to the same exacting standards. Available in a variety of lengths, all with easy to install daisy chain power and data connections, the ArcLine™ Outdoor DVP makes an excellent choice for building highlighting and dramatic media effects.



## TECHNICAL SPECIFICATIONS:

### ELECTRICAL

Input Voltage 100-277V AC 50/60 Hz  
 Typical Power Consumption 21W (600mm), 32W (900mm), 42W (1200mm), +/-10%

### OPTICAL

Light Source 24x (600mm) / 36x (900mm) / 48x (1200mm) Mid Power RGB MultichipLEDs  
 Colour Variants RGB  
 Red/Green/Blue  
 Beam Angle Non-Optic, Approx. 105° (Without Diffuser)  
 Lumen Output (Without Diffuser) 254lm (600mm), 381lm (900mm), 508lm (1200mm)  
 Projected Lumen Maintenance 60,000 hrs (L70@ 25°C / 77°F)

### CONTROL

Interface Protocol USITT DMX512, RDM, ArtNet  
 Control System Anolis Data Configurator, ArcControl range  
 Individual Control Of Each LED Integrated  
 Power Supply Integrated

### PHYSICAL

Width x Height x Depth (w/out Diffuser) 600 / 900 / 1200 x 82 x 43 mm (23.62 / 35.43 / 47.24 x 3.29 x 1.69 inches)  
 Weight 2 kg / 4.4 lbs (600mm), 2.5kg / 5.5lbs (900mm), 2.7kg / 5.95 lbs (1200mm)  
 Housing Extruded Aluminum, Clear Polycarbonate Cover  
 Finish Options Silver (Aluminum)  
 Cables / Connections Li9YC11Y - 3xAWG16+1 (2xAWG24), IP Connectors  
 Mounting Method Wall Mount, Recessed (Optional)  
 Protection Factor IP66, Suitable For Wet Locations  
 IK Rating: IK08 (w/out Diffuser), IK07 (w/ Diffuser)  
 Cooling System Convection  
 Operating Ambient Temperature -20°C / +40°C (-4°F / +104°F)

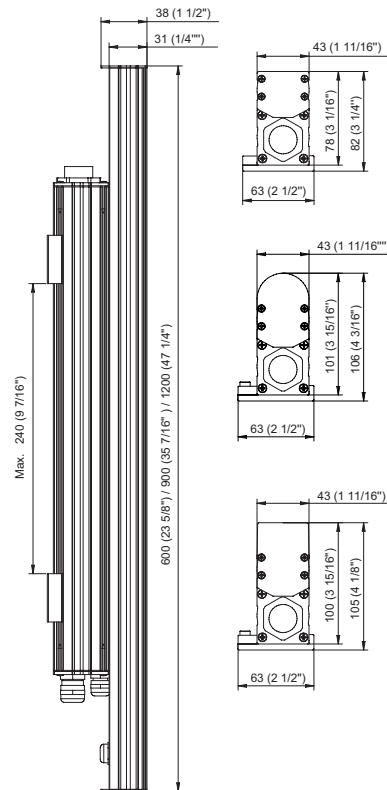
### CERTIFICATION

Listings ETL / cETL, CE, RoHS pending

### ACCESSORIES

Wall Mount Adaptor (included)  
 Diffuser Opal Round (optional)  
 Diffuser Opal Flat (optional)  
 Connection Cables, Custom Length (optional)

## DIMENSIONS mm [in]:



# Data Configurator™

Designed to bring to life the media capabilities of ArcLine™ DVP, the Anolis Data Configurator™ is the heart of the system. Providing both power and data, the Data Configurator™ allows you to connect up to 48m of ArcLine™ DVP. The Data Configurator™ has both DMX in/out and Ethernet in/out, allowing maximum compatibility with high specification media control systems. With the high IP rating associated with all Anolis exterior products, the Data Configurator™ can be installed with confidence in virtually all environmental conditions.



## TECHNICAL SPECIFICATIONS:

### ELECTRICAL

|                           |                      |
|---------------------------|----------------------|
| Input Voltage             | 100-277V AC 50/60 Hz |
| Typical Power Consumption | 1600W, +/-10%        |
| Max. Output Voltage       | 29.5V                |

### CONTROL

|                       |   |
|-----------------------|---|
| Interface Protocol    | USITT DMX512, RDM, ArtNet               |
| Wireless DMX (Option) | Yes                                     |
| Display               | Two Row LCD Display & 4 Control Buttons |

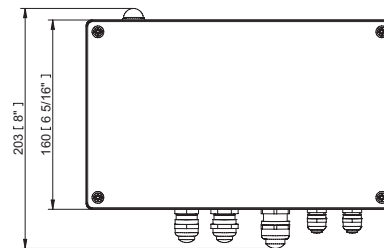
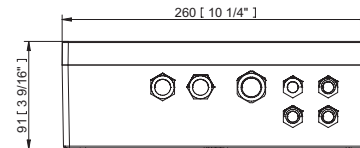
### PHYSICAL

|                             |  |
|-----------------------------|--|
| Width x Height x Depth      | 260 x 91 x 203mm [10.24 x 3.584 x 7.99 inch] |
| Weight                      | 2.9 kg / 6.4 lbs                             |
| Number of Outputs           | 2  |
| Total Max. Load             | Max. 40x ArcLine Outdoor DVP                 |
| Ethernet Connection In/Out  | Terminal Block                               |
| DMX Connection In/Out       | Terminal Block                               |
| Power Input Connection      | Terminal Block                               |
| Output Connection           | 2x Power/Data Combined Out                   |
| Mounting Method             | 4 Mounting Holes                             |
| Protection Factor           | IP66 / Suitable For Wet Locations            |
| IK Rating                   | IK10   |
| Cooling System              | Convection                                   |
| Operating Temperature Range | -20°C / +40°C [-4°F / +104°F]                |

### CERTIFICATION

|          |                              |
|----------|------------------------------|
| Listings | ETL / cETL, CE, RoHS pending |
|----------|------------------------------|

## DIMENSIONS mm (in):



# ArcPix™

Utilizing a high efficient Mid power LED chip ArcPix™ is a compact RGB LED node suitable for both interior and exterior applications, plug and play electronics allow for complex pixel mapping and media effects to be achieved on structural surfaces and building facades. Up to 400 units can be combined with a single ArcPixel™ Power unit providing the flexibility to create dramatic visual effects.



## TECHNICAL SPECIFICATIONS:

### ELECTRICAL

Input Voltage 48V DC  
Typical Power Consumption 0.8W

### OPTICAL

Light Source 1 x MC Mid Power LED  
Colour Variants RGB  
Red, Green, Blue  
Beam Angle Non-optic  
Lumen Output Delivered 24lm (RGB, non-optic)  
Projected Lumen Maintenance 50,000 hrs ( L50@ 50°C / 122°F)

### CONTROL

Control System Media Server  
Power Supply ArcPixel Power

### PHYSICAL

Width x Height Inches: Ø2.21 x 0.95 (0.83 w/out mounting plate)  
mm: Ø56 x 24 (21 w/out mounting plate)  
Weight lbs: 0.44  
kg: 0.2  
Housing Moulded Plastic  
Polycarbonate Cover  
Cables / Connections 5 Wire Flat Cable AWM 295720AWG - Factory Fitted Connector  
Mounting Method Mounting Plate or Direct fixing  
Protection Factor IP67  
Impact Rating IK09  
Cooling System Convection  
Operating Ambient Temperature -20°C / +50°C (-4°F / +122°F)  
Operating Temperature +50°C @ Ambient +40°C (+122°F @ Ambient +104°F)

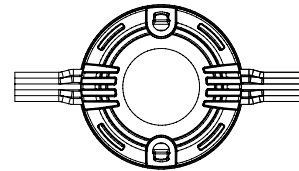
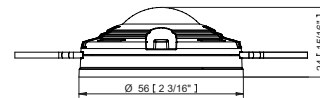
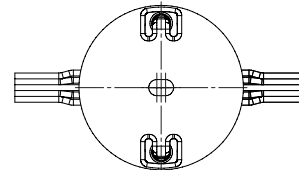
### CERTIFICATION

Listings ETL / cETL, CE, RoHS

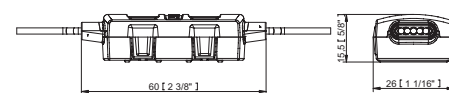
### ACCESSORIES

Connection Cable (In meters)  
Connection Box  
Termination Box (1 Per Run)

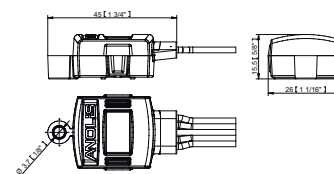
## DIMENSIONS mm [in]:



### Connection Box



### Termination Box



# ArcDot™

The Anolis ArcDot™ is RGBW multichip-based high-powered multicoloured LED fixture. The unit's high light output can be pixel mapped and therefore control large scale matrix applications, as well as individual illuminating needs. It features an integrated intelligent electronic control system that guarantees flicker-free driving, thermal protection. Together with remote addressing, calibration and status messaging with the power supply unit, it ensures easy remote maintenance and long-term reliability. IP67 rated precision turned aluminum housing with frosted UV stable polycarbonate dome allows flexible solutions to both interior and exterior environments.



## TECHNICAL SPECIFICATIONS:

### ELECTRICAL

Input Voltage 48V DC  
Typical Power Consumption 5.5W

### OPTICAL

Light Source 1x 10W MC LED  
RGBW (W-CW-6500K), PW (3200K, 6500K), SW (2700-6500K)  
Colour Variants RGBW, Pure White, Smart White  
Beam Angle Non-optic  
Lumen Output Delivered 74lm (RGBCW, non-optic, Opal Polycarbonate Dome)  
Projected Lumen Maintenance 50,000 hrs (L70@ 25°C / 77°F)

### CONTROL

Control System Media Server  
Power Supply ArcPixel Power

### PHYSICAL

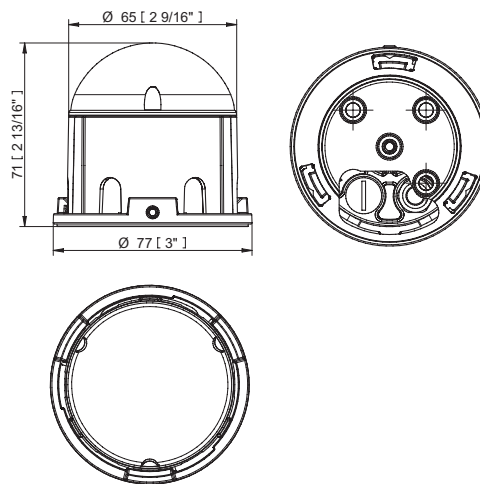
Width x Height Inches: Ø3.03 x 2.80  
mm: Ø77 x 71  
Weight lbs: 0.44  
kg: 0.2  
Housing Cast Aluminium  
Polycarbonate Dome  
Finish Options Silver (STD), Black/White/custom RAL (cost option)  
Cables / Connections Li9Y11Y 2xAWG16+1xAWG20 - Chogori IP67 Connector  
Mounting Method Mounting Back Plate  
Adjustability N/A  
Protection Factor IP67  
IK Rating IK07  
Cooling System Convection  
Operating Ambient Temperature -20°C / +50°C (-4°F / +122°F)  
Operating Temperature +45°C @ Ambient +40°C (+113°F @ Ambient +104°F)

### CERTIFICATION

Listings CE, RoHS, ETL / cETL



## ArcDot CONNECTION:



### ACCESSORIES

Cable Connection ArcDot 2.5m  
Cable Connection ArcDot 20m  
Cable Connection ArcDot 25m  
Cable Connection ArcDot 2m  
Cable Connection ArcDot 30cm  
Cable Connection ArcDot 4m  
Cable Connection ArcDot 88m  
other lengths on request  
Terminator Active for ArcDot  
Terminator Passive for ArcDot  
Connector CGRBB-03RMMA-SC8001 (connector Male)  
Connector CGRBB-03BFFA-SL8001 (connector Female)  
Connector T- CGRBA-030303FFM-TS (T-connector)

# ArcDot™ Flash

Dramatic true strobe flash style effects can be created with the extremely bright ArcDot™ Flash, with a flash output equivalent to a 10 Joule Xenon flash this product has to be seen to be believed. Housed in the same compact footprint as the ArcDot™ RGBW, the ArcDot™ Flash utilises the latest LED chip technology meaning much greater efficiency, reliability and lamp life than traditional strobe flash solutions. If a more serene effect is required the ArcDot™ Flash also offer a continuous on operation as well as a full range dimming via DMX. Building highlighting and dramatic media effects can be realised when combined with Anolis ArcPixel™ Power.



## TECHNICAL SPECIFICATIONS:

### ELECTRICAL

|                           |  |
|---------------------------|--|
| Input Voltage             | 48V DC                                       |
| Current Consumption:      | 114 mA (average), 2A/100mSec. (max.)         |
| Average Power Consumption | 5.5 W  |
| Temperature Protection:   | Internal Chip Protection Against Overheating |

### OPTICAL

|                             |                                    |
|-----------------------------|------------------------------------|
| Light Source                | 8 x White LED multichip            |
| Flash Energy                | Equivalent Of 10 Joule Xenon Flash |
| Beam Angle                  | Non-Optic                          |
| Projected Lumen Maintenance | 70% @ 50.000 hours                 |

### CONTROL

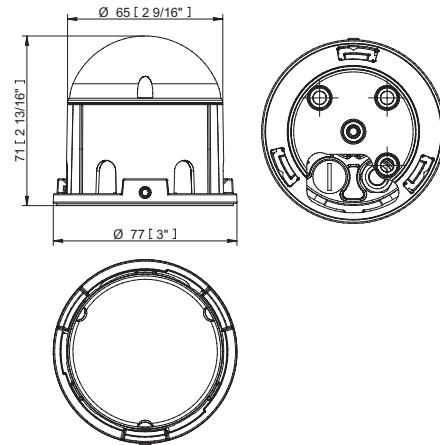
|  |                                |
|--|--------------------------------|
| Control System                             | ArcPixel Power                 |
| Power Supply                               | ArcPixel Power                 |
| Flash                                      | Random Flash (Factory Setting) |
| Number Of Flashes Per Minute               | 22-28                          |
| Flash Length                               | 100W, 25ms                     |
| Synchronous Flash (all 100 units)          | 25W, 25ms                      |
| Continuous Lit (no flashing)               | 5W, Continuous                 |
| Individual Addressing Of Each ArcDot Flash | Yes (Optional)                 |

### PHYSICAL

|                               |  |
|-------------------------------|--|
| Width x Height x Depth        | inches: Ø3.03 x 2.80<br>mm: Ø77 x 71<br>lbs: 0.44<br>kg: 0.2 |
| Weight                        |  |
| Housing                       | Cast Aluminium, Polycarbonate Dome                           |
| Finish Options                | Silver, Black/White/Custom RAL (cost option)                 |
| Cables / Connections          | Li9Y11Y 2xAWG16+1xAWG20 - Chogori IP67 Connectors            |
| Mounting Method               | Mounting Back Plate  |
| Protection Factor             | IP67   |
| IK Rating                     | IK07   |
| Cooling System                | Convection   |
| Operating Ambient Temperature | -20°C/+50°C  |
| Operating Temperature         | +40°C @ Ambient +25°C (+104°F @ Ambient +77°F)               |



## DIMENSIONS mm [in]:



### CERTIFICATION

Listings

ETL / cETL, CE, RoHS

### ACCESSORIES

Terminator Active for ArcDot  
 Terminator Passive for ArcDot  
 1m Connection Cable Chogori Male/Female 3-pin  
 5m Connection Cable Chogori Male/Female 3-pin  
 10m Connection Cable Chogori Male/Female 3-pin  
 3-pin Connector CGRBB-03BMMMA-SL8001 (Male)  
 3-pin Connector CGRBB-03BFFA-SL8001 (Female)  
 3-pin T-Connector CRGBA 3-pin  
 3-wire ArcDot cable

# ArcSource™ Outdoor 4MC Pixel

The ArcSource™ Outdoor 4MC Pixel features all the benefits of the highly popular ArcSource™ Outdoor 4MC, high light output, the latest multichip technology, precision optics, high IP Rating and versatile mounting. The stirrup now combined with Anolis' excellent pixel control electronics makes this product even more versatile.

Individual colour/dimming control of each ArcSource™ Outdoor 4MC Pixel is now possible when connected to the ArcPixel™ Power. Dynamic media style effects can be created and added to your landscape or facade installations.



## TECHNICAL SPECIFICATIONS:

### ELECTRICAL

Input Voltage 48V  
Typical Power Consumption 5.5W/48V

### OPTICAL

Light Source 1x 15W RGBW MultichipLED  
RGBCW (CW-6300K), PW (6300K), SW (2700-7100K)  
Colour Variant Red/Green/Blue/White, Pure White, Smart White  
Beam Angle 7°, 24°, 34°, 42°x7°, 7°x42°  
Projected Lumen Maintenance 50,000 hrs (L70@ 25°C / 77°F)

### CONTROL

Control System ArcPixel Power  
Power Supply ArcPixel Power

### PHYSICAL

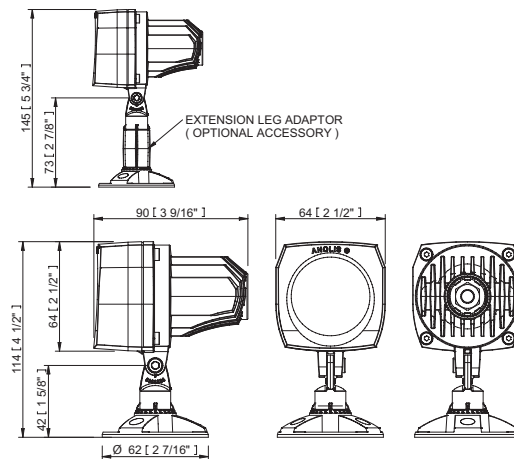
Dimensions (W x H x D) Inches: 2.52 x 4.49 [5.71] x 3.54  
mm: 64 x 114 [145] x 90  
Weight lbs: 1.37  
kg: 0.62  
Housing High Pressure Die-Cast Aluminum Body  
Tempered Glass  
Finish Options Silver, Black/White/Custom RAL (cost option)  
Cables / Connections Li9Y11Y, 2xAWG16+1xAWG 20  
Mounting Method Mounting Plate (3 Fixing Holes), Spike Option  
Adjustability +/-60° (+80° /-90° with Adaptor Plate)  
Protection Factor IP 65  
Cooling System Convection  
Operating Ambient Temperature -20°C / +45°C [-4°F / +113°F]  
Operating Temperature +75°C @ Ambient +50°C [+167°F @ Ambient +122°F]

### CERTIFICATION

Listings ETL / cETL, CE, RoHS



## DIMENSIONS mm [in]:



### ACCESSORIES

Adaptor Stand (included)  
Allen Key (Included)  
Screw M5x45 (Included)  
Land Spike Single (100mm)  
Land Spike Twin (100mm)  
Land Spike Single (500mm)  
Land Spike Twin (500mm)  
Land Spike Triple (500mm)  
Connector Chogori CGRBDU-03BFFA (Female) IP67  
Connector Chogori T Piece 3-pin  
Connector Waterproof Cap (Male)  
Cable Chogori (Female) - Chogori (Male) 3m  
other lengths on request  
Active Terminator (for ArcDot)  
Passive Terminator (for ArcDot)  
Ferrite GTFC 16-8-16 (for ArcDot) - CE only



# ArcSource™ Outdoor 16MC Pixel

Combining all the features of the ArcSource™ Outdoor 16MC, with the excellent Anolis pixel driving system, brings the ArcSource™ Outdoor 16MC Pixel into a whole new range of applications. Suitable for a variety of installations including landscape, facade and structural illumination, the ArcSource™ Outdoor 16MC Pixel can be supplied in various beam angle and colour configurations.



## TECHNICAL SPECIFICATIONS:

### ELECTRICAL

Input Voltage 48V (CE), 28V (US)  
Typical Power Consumption 38W

### OPTICAL

Light Source 4 x High Power Multichip LEDs  
Colour Variants Red/Green/Blue/White, Pure White, Smart White  
RGBCW (CW-6300K), PW (6300K), SW (2700-7100K)  
Beam Angle 7°, 24°, 34°, 42°x7°, 7°x42°  
Lumen Output Delivered 1271 lm (RGBW at 7°, 700mA)  
Projected Lumen Maintenance 60,000 hrs (L70@ 25°C / 77°F)

### CONTROL

Control System ArcPixel Power, DRS (Pixel)  
Power Supply ArcPixel Power, DRS (Pixel)

### PHYSICAL

Width x Height x Depth 179 x 214 x 145 mm [ 7.0 x 8.4 x 5.7 inches ]  
Weight 4.5 kg [ 9.9 lbs ]  
Housing High Pressure Die-Cast Aluminium Body  
Tempered Glass  
Finish Options Silver (STD), Black/White/Custom RAL (cost option)  
Cables / Connections Li9Y11Y, 2xAWG16+1xAWG 20 -0.5m Long (1.64ft), Chogori IP Connector  
Mounting Method Yoke, Floor Stand (Optional)  
Adjustability +35° / -90°  
Protection Factor IP67 / Suitable For Wet Locations  
IK Rating IK06  
Cooling System Convection  
Operating Ambient Temperature -20°C / +45°C [-4°F / +113°F]  
Operating Temperature Max. +70°C @ Ambient +45°C [+158°F @ Ambient +113°F]

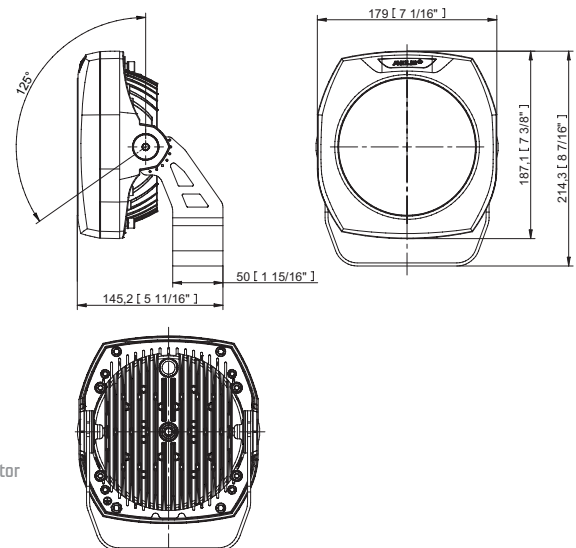
### CERTIFICATION

Listings ETL / cETL, CE, RoHS pending

### ACCESSORIES

Top Hat (optional)  
Half Top Hat (optional)  
Floor Stand (optional)  
Tenon Adaptor (optional)  
Pole Clamp -single, double (optional)  
Land Spike (optional)

## DIMENSIONS mm [in]:



### ACCESSORIES

Active Terminator (for ArcDot) (optional)  
Passive Terminator (for ArcDot) (optional)  
Connector Chogori T Piece 3-pin (optional)  
Connector Waterproof Cap (Male) (optional)  
Cable Chogori (Female) - Chogori (Male) 3m (optional)  
other lengths on request

# ArcPixel™ Power

ArcPixel™ Power is the highly versatile power supply required for the range of pixel controlled products like ArcDot™, ArcPix™ and ArcSource™ Outdoor 4MC Pixel. Multiple outputs allow a high quantity of products to be connected, while auto addressing makes installation and set up easy to facilitate. Compatible with both DMX and ArtNet protocols, integration with the media servers allows complex media programming to be achieved, giving dynamic pixel control. The ArcPixel™ Power includes built-in web interface allowing quick overview of its settings and connected dots and also their settings via a connected PC. When a project demands pixel control ArcPixel™ Power provides the most effective and simple solution.



## TECHNICAL SPECIFICATIONS:

### ELECTRICAL

Input Voltage 100-240V AC 50/60 Hz  
 Typical Power Consumption 650 W (+/- 10%), US version 420 W (+/- 10%)

### CONTROL

Interface Protocol USITT DMX512, ArtNet  
 Display 4 Digit LED

### PHYSICAL

Width x Height x Depth inches: 12.8 x 10.1 x 3.7  
 mm: 326 x 256 x 94

Weight lbs: 7.5  
 kg: 3.4

Number of Led Output Zones 4 (ArtNet), 3 (DMX)

Maximum Load Per Zone ArcDot (RGBW)/ArcDot Flash/ArcSource Outdoor 4MC Pixel: CE - 35 (typically 25), US - 16, ArcPix (RGB): CE - 100, US - 65, ArcSource Outdoor 16MC Pixel: CE - 3, US - 2

Total Load ArcDot (RGBW)/ArcDot Flash/ArcSource Outdoor 4MC Pixel: CE - 100, US - 64, ArcPix (RGB): CE - 400, US - 260, ArcSource Outdoor 16MC Pixel: CE - 12, US - 8

Max Cable Length ArcDot/ArcDot Flash/ArcSource Outdoor 4MC Pixel: CE - 100m @ 25 units per output (or 65m @ 35 Dots), US - 100m @ 16 units per output, ArcPix: CE - 100m @ 100 ArcPixes per output, US - 100m @ 65 ArcPixes per output, ArcSource Outdoor 16MC Pixel: CE - 100m @ 3 units per output, US - 100m @ 2 units per output

LED Output Connection ArcDot/ArcDot Flash/ArcSource Outdoor 4MC/16MC Pixel: Chogori IP67, 3-pin (Female) ArcPix: Sauro CGF 050 M5

DMX Connection 3 Pin Male / Female XLR (In and Out)

ArtNet Connection RJ45

Power Connection: Panel connector IEC C14 (socket)

Mounting Method 4 Mounting Holes

Protection Factor IP20

IK Rating n/a

Cooling System Convection

Operating Temperature Range -10°C / +40°C (14°F / +104°F)

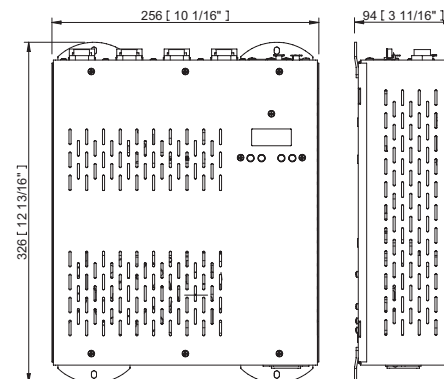
### CERTIFICATION

Listings ETL / cETL, CE, RoHS

### ACCESSORIES

Power cord IEC C13 (included)  
 Screw terminal board Sauro CGM 050 M5 (included)  
**Items needed for installation**  
**(quantity depends on size and type of installation), CE only:**  
 Ferrite GTFC 16-8-16 (for ArcDot/Flash, ArcSource Outdoor 4MC Pixel)  
 Ferrite CSA19/9.4/29-4560-EN (for ArcPix)

## DIMENSIONS mm [in]:



# ANOLIS Media Server™

Modern media facades and Architectural media installations require advanced control solutions, in order to bring to life the dramatic effects required by today's ever more complex lighting design schemes. Anolis Media Server™ is a DMX controllable digital media server, with a built-in 32-bit Graphics Engine able to utilise Linux and DirectX application programming interfaces to provide extensive image control of Anolis pixel controlled products such as ArcPix™, ArcDot™ and ArcSource™ Outdoor 4MC Pixel. The Anolis Media Server™ uses DMX512 protocol to control media capabilities including loading images and movies. The graphics engine allows you manipulate position, scale, rotation, apply visual effects and colour mix each image, allowing designers to create impressive schemes for large building facade applications and control of multiple zone installations.



## TECHNICAL SPECIFICATIONS:

### ELECTRICAL

|                           |                                 |
|---------------------------|---------------------------------|
| Input Voltage             | 100-120V/ 200-240V AC, 50/60 Hz |
| Typical Power Consumption | Auto-Switching Power Supply     |
| Power Factor              | 100W (120VA) @ 230V<br>0.86     |

### CONTROL

|          |  |
|----------|--|
| Display  | 5" TFT LCD Display & Robe Navigation System  |
| Protocol | USITT DMX 512, ArtNet  |
| Other    | Web Access For Total Control Of Fixture (User Library Management)<br>Media Content Synchronization In Web Interface<br>RDM Support<br>148 Control Channels<br>Support of CTP/MSEX Protocol |

### HARDWARE

|                    |   |
|--------------------|---|
| Motherboard        | Supermico C7B75-0   |
| Processor          | Intel Core i3-3220 BOX (3.3GHz, LGA1155, VGA)                       |
| Memory             | RAM Kingston 2GB DDR3-1600MHz                                       |
| Graphics Card      | GIGABYTE GT630 -1G (128activ 2xDHDS03)                              |
| Video Capture Card | AVerMedia DVD EZMaker Gold  |
| Hard Disc          | HDD 2,5" 500 GB Seagate Momentus 7200.4 G-Force<br>Gigabit Ethernet |

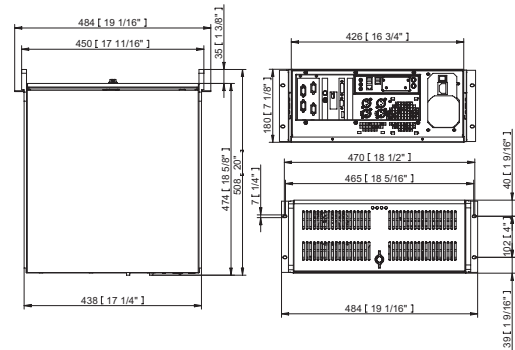
### SOFTWARE

|                  |          |
|------------------|----------|
| Operation System | Linux OS |
|------------------|----------|

### CONNECTIONS

|                 |   |
|-----------------|---|
| Video Input     | Standard: 1 x S-Video (Mini Din 4 pin), 1 x Composite Video (RCA)<br>Optional: 1 x DVI-D, 1 x VGA (Mini D-sub 15 pin) or 1 x SDI/ASI (BNC)<br>1x Parallel Video Output Splitted With 4 Full HD Layers Available<br>Via 4 VGA Outputs, (4 x VGA; 15-pin HD Connectors) |
| Video Output    | 6 x USB 2.0 (Series A)<br>Locking 3-pin and 5-pin XLRs<br>RJ45  |
| USB             | 1.5 m Power Cord With Plug  |
| DMX Data In/Out |   |
| ArtNet          |   |
| AC Power Input  |   |

## DIMENSIONS mm [in]:



### PHYSICAL

|                             |  |
|-----------------------------|--|
| Width x Height x Depth      | inch: 17.24 (19.06) x 7.13 x 18.43 (19.76)<br>mm: 438 (484) x 180 x 468 (502)                  |
| Weight                      | lbs: 35.3 / kg: 16   |
| Protection Factor           | IP20   |
| Operating Temperature Range | 0°C / +35°C (+32°F / +95°F)  |
| Maximum Housing Temperature | 40°C (+104°F)  |
| Other                       | 19" Rackmount Eurocase IPC 4U 500<br>Removable and Washable Air Filter<br>Lockable Front Doors |

### CERTIFICATION

|          |          |
|----------|----------|
| Listings | CE, RoHS |
|----------|----------|

### ACCESSORIES

USB 2.0 Flash Drive With A System  
Recovery Utility (included)  
Capture Card DVI/DGA: Ncast DDC 3.1  
Capture Card ASI/SDI In+Out: DTA-145-SBD  
Cable VGA -BNC; Male-Female  
Flight Case

# MiniMe DV™

Based on the standard MiniMe™ fixture but in a new modern and elegant design. The Minime DV™ is an effects lighting luminaire with the addition of full video output. This small, neat, fast moving fixture is LED driven with 20,000 hour lifetime source. Colours, gobos and beam shapes are all digitally generated by the on-board micro-media server. Custom artwork, still photographs and video can also be simply uploaded for projection, while live video can be streamed through the High Definition Multimedia Interface input. Thanks to these features bar, club and retail lighting has taken another step into the digital future.



## TECHNICAL SPECIFICATIONS:

### ELECTRICAL

Input Voltage 100-240V AC 50/60 Hz  
 Typical Power Consumption 100W, +/-10%

### OPTICAL

Light Source RGB LED Device  
 Hardware Raspberry Pi Model B 512MB RAM  
 LED Life Expectancy 20,000 Hrs  
 Light Output Comparable with 300 ANSI Lumen Fixtures

### CONTROL

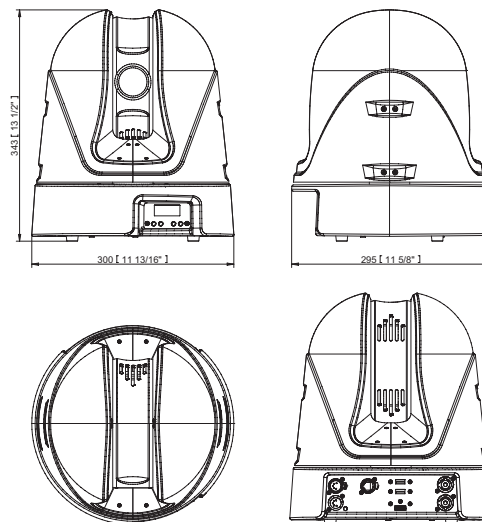
Interface Protocol USITT DMX512, RDM, ArtNet, WIRELESS CRMX (OPTIONAL)  
 Content Uploadable from USB  
 Live Input from HDMI  
 ArtNet Ready for CAN  
 Ethernet Port  
 Operating System Linux OS  
 Display Two Row LCD Display and 4 Buttons

### PHYSICAL

Width x Height x Depth 290 x 343 x 295mm ( 11.41 x 13.5 x 11.61 in)  
 Weight 6 kg / 13.2 lbs  
 Finish Options Black (matte), Black (glossy), White (glossy), Traffic Blue (glossy), Luminous Yellow (glossy), Mint Green (glossy), Traffic Red (glossy), Traffic Purple (glossy)

Control Channels 24  
 Cable Connection External HDMI  
 USB Connection 2 x USB 2.0  
 DMX Connection DMX In/Out - Locking 5-Pin XLR  
 ArtNet Connection RJ45  
 Mounting Method Mounting Points - 1 Pair 1/4 Turn Locks  
 Protection Factor IP20  
 Cooling System Fan Cooled  
 Operating Ambient Temperature 0°C / +40°C (32°F / +104°F)  
 Operating Temperature +60°C @ Ambient +25°C (+140°F @ Ambient +77°F )  
 Graphic Engine 234 Colours preprogramed including 8000k white; Digital Zoom; Resolution: WXGA (1280x800) RGB or CMY Colour Mixing; Built-in effects including transitions and fades; Million Horizontal and Vertical Key Stoning, Smooth Dimmer; Image Format: JPG, Video Format: MPEG4, H264.

## DIMENSIONS mm (in):



### CERTIFICATION

Listings ETL / cETL, CE, RoHS

### ACCESSORIES

Wide Angle Lens 1:1.5  
 Mounting Bracket  
 Mains PowerCon In/Open End 2m  
 Mains PowerCon In/Schuko 2m  
 Mains PowerCon In/CEE 16A 2m  
 Mains PowerCon In/US 2m  
 Daisy Chain PowerCon In/Out EU 2m  
 Daisy Chain PowerCon In/Out US 2m

# MiniMe™

The MiniMe™ is a unique product combining a moving head effects lighting luminaire with the addition of full video output. This compact, LED fixture is capable of producing a huge range of lighting effects combined with full video projection capabilities. The onboard micro-media server digitally generates colours, Gobos and beam shapes. Custom artwork, still photographs and video can also be simply uploaded for projection, while live video can be streamed through the HDMI input. The MiniMe™ is a truly versatile product for architectural illumination, retail POS visuals as well as corporate logo projection.



## TECHNICAL SPECIFICATIONS:

### ELECTRICAL

Input Voltage 100-240V AC 50/60 Hz  
Typical Power Consumption 100W, +/-10%

### OPTICAL

Light Source RGB LED Device  
Hardware Raspberry Pi Model B 512MB RAM  
LED Life Expectancy 20,000 Hrs  
Light Output Comparable with 300 ANSI Lumen Fixtures

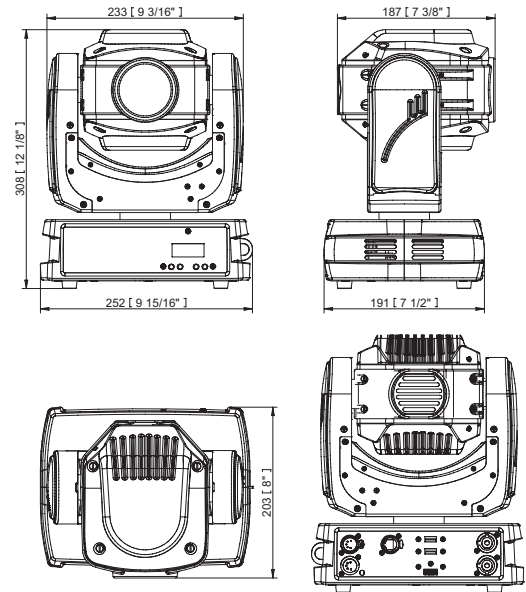
### CONTROL

Interface Protocol USITT DMX512, RDM, ArtNet, WIRELESS CRMX (OPTIONAL)  
Content Uploadable from USB  
Live Input from HDMI  
Ethernet Port ArtNet Ready for CAN  
Operating System Linux OS  
Display Two Row LCD Display and 4 Buttons

### PHYSICAL

Width x Height x Depth Inches: 9.8 x 13.6 x 7.52  
mm: 249 x 345 x 191  
Weight lbs: 12.6  
kg: 5.7  
Control Channels 24  
Cable Connection External HDMI  
USB Connection 2 x USB 2.0  
DMX Connection DMX In/Out - Locking 5-Pin XLR  
ArtNet Connection RJ45  
Mounting Method Mounting Points - 1 Pair 1/4 Turn Locks  
Protection Factor IP20  
Cooling System Fan cooled  
Operating Ambient Temperature 0°C / +40°C (32°F / +104°F)  
Operating Temperature +60°C @ Ambient +25°C (+140°F @ Ambient +77°F)  
Aspect Ratio: 16:10  
Graphic Engine - Digital gobo wheel with rotating and indexing,  
Video speed control  
Resolution: WXGA (1280x800)  
Throw Ratio: 3,5:1  
Contrast Ratio: 700:1  
Display Colours: 16.7 Million  
RGB or CMY Colour Mixing, Digital Zoom  
234 Colours preprogramed including 8000k white  
Built-in effects including transitions and fades  
Horizontal and Vertical Key Storing, smooth dimmer  
Image Format: JPG, Video Format: MPEG4, H264

## DIMENSIONS mm [in]:



### CERTIFICATION

Listings

ETL / cETL, CE, RoHS

### ACCESSORIES

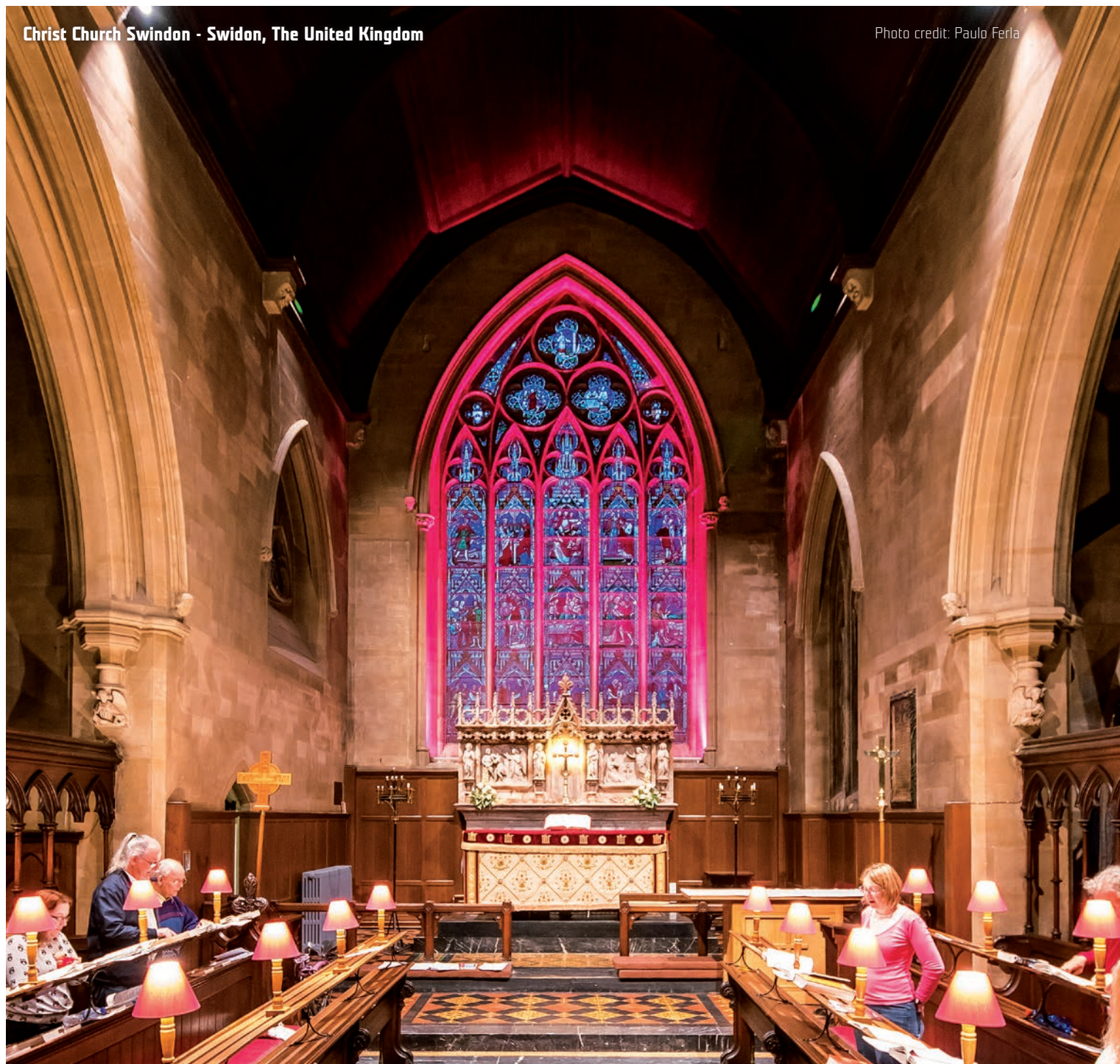
Wide Angle Lens 1:1.5 (White)  
Mounting Bracket (White)  
Mains PowerCon In/Open End 2m  
Mains PowerCon In/Schuko 2m  
Mains PowerCon In/CEE 16A 2m  
Mains PowerCon In/US 2m  
Daisy Chain PowerCon In/Out EU 2m  
Daisy Chain PowerCon In/Out US 2m





Futuroscope - Chasseneuil-du-Poitou, France





# ArcPar

ArcPar™ S1 ▶ **Pg. 70**



ArcPar™ SB1 ▶ **Pg. 71**



ArcPar™ 100 ▶ **Pg. 72**



# ArcPar™ S1

The ArcPar™ S1 incorporates a powerful single source LED module and high performance reflector, designed specifically to provide the highest quality of light. Available in a range of different colour temperatures to suit the application and combining high resolution DMX dimming and a native 23° output, make it suitable for a wide variety of applications. Designed and built entirely at our Czech facility from lightweight composite material finished in either silver or white. Supplied complete with gel frame, detachable barn door set and swivel floor stand/hanging bracket. Competitively priced and offered with a full compliment of additional cost options including: beam diffusers and plug-in wireless DMX module.



## TECHNICAL SPECIFICATIONS:

### ELECTRICAL

Input Voltage 100-240V, 50/60 Hz  
 Typical Power Consumption 150W @ 230V, +/-5%  
 Power Supply Electronic Auto-Ranging

### OPTICAL

Light Source 130W COB LED  
 Colour Variants Pure White  
 PW (2700K, 3000K, 4000K, 5800K)  
 Beam Angle 12°, 23° (Optional Diffusers Available)  
 Lumen Output Delivered 7072lm (2700K @ 23°), 8127lm (5800K @ 23°)  
 CRI 96 (2700K), 93 (3000K), 80 (4000K), 82 (5800K)  
 Projected Lumen Maintenance 60,000 hrs (L70@ 25°C / 77°F)

### CONTROL

Interface Protocol USITT DMX512, RDM  
 Wireless DMX (Option) Lumen Radio CRMX Technology  
 Control System 2-Row LCD Display Et 4 Buttons  
 Dimmer High Resolution Dimmer 0-100%  
 Stand Alone Control Yes  
 DMX Channels 1, 2, 3  
 DMX Modes 3  
 Built in Programs Yes  
 Editable Programs 3 (Up to 40 Steps Each)

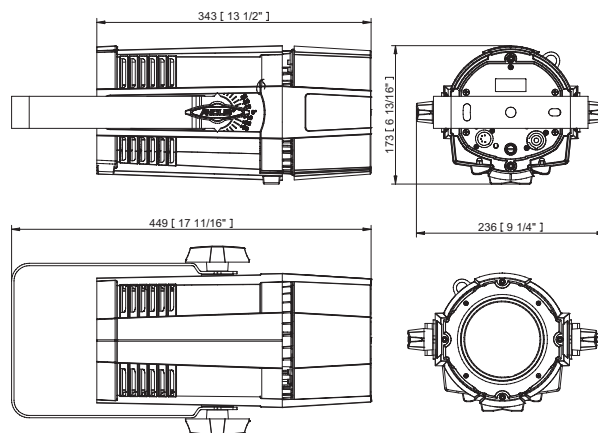
### PHYSICAL

Width x Height x Depth 236 x 173 x 343 (449)mm (9.29 x 6.81 x 13.50 (17.68) in )  
 Weight 4.5 kg (9.92 lb)  
 Finish Options Silver, White  
 Fixture Connections Data In/Out: Locking 5-Pin XLR  
 Power Connector: Neutrik PowerCon In/Out  
 Mounting Method U-Bracket  
 Adjustability 360°  
 Protection Factor IP20  
 Cooling System Silent Fan Cooling  
 Operating Ambient Temperature Max. +40° C [+104° F]  
 Maximum Surface Temperature 80°C (176°F) @ LED Heat Sink

### CERTIFICATION

Listings ETL / cETL, CE, RoHS

## DIMENSIONS mm [in]:



### ACCESSORIES

Diffuser 28° for ArcPar S1 (included)  
 Accessory Frame Adaptor (included)  
 Gel Frame (included)  
 Barn door for ArcPar S1 (aperture 90x90mm) (included)  
 Wireless CRMX-LB100  
 Barn door for ArcPar S1 (aperture 157x157 mm)  
 Diffuser 40° for ArcPar S1  
 Diffuser 50° for ArcPar S1  
 Diffuser 62°x 46° for ArcPar S1  
 Diffuser 70°x 48° for ArcPar S1  
 Mains Cable PowerCon In/open ended, 2m  
 Mains Cable PowerCon In/Schuko, 2m  
 Mains Cable PowerCon In/CEE 16A, 2m  
 Mains Cable PowerCon In/US, 2m  
 Daisy Chain PowerCon In/Out, EU, 2m  
 Daisy Chain PowerCon In/Out, US, 2m

# ArcPar™ SB1

The ArcPar™ SB1 utilises the same high quality LED lamp source as the ArcPar™ S1, however in instead of remote digital dimming control, the unit features a simple jog dial and button for smooth high resolution dimming adjustment and setting of required light output level. A range of different colour temperatures to suit the application with a native 23° output, makes it universally appealing. Designed and built entirely in our state of the art manufacturing facility in the Czech Republic from a lightweight composite material in silver or white finish and supplied complete with gel frame, detachable barn door set and swivel floor stand/hanging bracket. Competitively priced and offered with a full complement of additional cost options including multiple beam diffusers.



## TECHNICAL SPECIFICATIONS:

### ELECTRICAL

Input Voltage 100-240V, 50/60 Hz (CE version),  
100-277V, 50/60 Hz (US version)  
Typical Power Consumption 150W @ 230V, +/-5%  
Power Supply Electronic Auto-Ranging

### OPTICAL

Light Source 130W COB LED  
Colour Variants Pure White  
PW (2700K, 3000K, 4000K, 5800K)  
Beam Angle 12°, 23° (Optional Diffusers Available)  
Lumen Output Delivered 7072lm (2700K @ 23°), 8127lm (5800K @ 23°)  
CRI 96 (2700K), 93 (3000K), 80 (4000K), 82 (5800K)  
Projected Lumen Maintenance 60,000 hrs (L70@ 25°C / 77°F)

### CONTROL

Setting/Control Jog Dial & Button  
Dimmer Manual Dimmer 0-100%

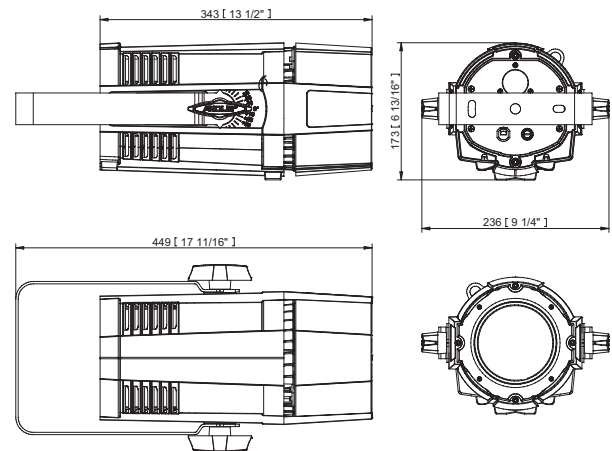
### PHYSICAL

Width x Height x Depth 236 x 173 x 343 (449)mm (9.29 x 6.81 x 13.50 (17.68) in )  
Weight 4.5 kg (9.92 lb)  
Finish Options Silver, White  
AC Connection 3-Core Cable  
Mounting Method U-Bracket  
Adjustability 360°  
Protection Factor IP20  
Cooling System Silent Fan Cooling  
Operating Ambient Temperature Max. +40° C (+104° F)  
Maximum Surface Temperature 80°C (176°F) @ LED Heat Sink

### CERTIFICATION

Listings ETL / cETL, CE, RoHS

## DIMENSIONS mm [in]:



### ACCESSORIES

Diffuser 28° for ArcPar SB1 (included)  
Accessory Frame Adaptor (included)  
Gel Frame (included)  
Barn door for ArcPar SB1 (aperture 90x90mm) (included)  
Barn door for ArcPar SB1 (aperture 157x157 mm)  
Diffuser 40° for ArcPar SB1  
Diffuser 50° for ArcPar SB1  
Diffuser 62°x 46° for ArcPar SB1  
Diffuser 70°x 48° for ArcPar SB1

# ArcPar™ 100

The ArcPar™ 100 is a focused beam LED light source in a traditional par can style housing fully manufactured in Europe. Key features include both CMY & RGBW colour control, tungsten emulation, selectable & variable colour temperatures and a really powerful 7° beam. The compact and lightweight moulded composite unit is complete with a combined hanging bracket/floor stand. Wireless DMX, clip-on diffusion filters and detachable barn doors, are available as additional cost options making the unit a truly flexible option for many retail, leisure and architectural applications.



## TECHNICAL SPECIFICATIONS:

### ELECTRICAL

|                           |                         |
|---------------------------|-------------------------|
| Input Voltage             | 100-240V, 50/60 Hz      |
| Typical Power Consumption | 200W @ 230V, +/-10%     |
| Power Supply              | Electronic Auto-Ranging |

### OPTICAL

|                             |  |
|-----------------------------|--|
| Light Source                | 12x RGBW multichip                         |
| Colour Variants             | RGBW (W=CW-6300K)                          |
| Beam Angle                  | 7° (10°, 20°, 40° With Optional Diffusers) |
| Projected Lumen Maintenance | 70 % @ 60.000 hours                        |

### CONTROL

|                                   |                               |
|-----------------------------------|-------------------------------|
| Interface Protocol                | USITT DMX512, RDM             |
| Wireless DMX (Optional Accessory) | Lumen Radio CRMX Technology   |
| Control System                    | 2-row LCD display & 4 buttons |
| Dimmer                            | Smooth Dimmer 0-100%          |
| Stand Alone                       | Yes                           |
| DMX Channels                      | 14, 9, 4, 30, 35, 4, 6        |
| DMX Modes                         | 7                             |
| Built in Programs                 | 7                             |
| Editable Programs                 | 3 (Up to 40 Steps Each)       |

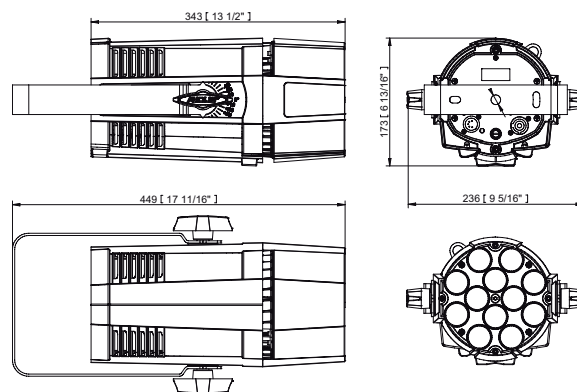
### PHYSICAL

|                               |  |
|-------------------------------|--|
| Width x Height x Depth        | 240 x 173 x 343 (449)mm (9.29 x 6.81 x 13.50 (17.68) in )                  |
| Weight                        | 4 kg (8.8 lb)  |
| Finish Options                | White  |
| Fixture Connections           | Data In/Out: Locking 5-Pin XLR<br>Power Connector: Neutrik PowerCon In/Out |
| Mounting Method               | U-Bracket  |
| Adjustability                 | 360°   |
| Protection Factor             | IP20   |
| Cooling System                | Silent Fan Cooling   |
| Operating Ambient Temperature | Max. +40° C (+104° F)  |
| Maximum Surface Temperature   | 80°C (176°F) @ LED Heat Sink   |

### CERTIFICATION

|          |                      |
|----------|----------------------|
| Listings | ETL / cETL, CE, RoHS |
|----------|----------------------|

## DIMENSIONS mm [in]:



### ACCESSORIES

|  |
|--|
| Wireless CRMX-LB100                    |
| Accessory Frame Adaptor                |
| Gel Frame                              |
| Barn door                              |
| Diffuser 40°                           |
| Diffuser 20°                           |
| Diffuser 10°                           |
| Mains Cable PowerCon In/open ended, 2m |
| Mains Cable PowerCon In/Schuko, 2m     |
| Mains Cable PowerCon In/CEE 16A, 2m    |
| Mains Cable PowerCon In/US, 2m         |
| Daisy Chain PowerCon In/Out, EU, 2m    |
| Daisy Chain PowerCon In/Out, US, 2m    |





Supersport HD Studio - Johannesburg, South Africa





Gardens by the Bay - Singapore

# DRS ArcPower ArcPower Outdoor

ArcPower™ 70 DRS ▶ **Pg.76**  
ArcPower™ 200 DRS  
ArcPower™ 600 DRS



ArcControl™ DRS, ArcControl™ DRS Pixel ▶ **Pg. 77**



ArcZone™ DRS, ArcZone™ DRS Pixel ▶ **Pg. 78**



ArcPower™ Rack Unit ▶ **Pg. 79**  
ArcPower™ Rack Unit Pixel



ArcPower™ 36, 72, 144, 360 ▶ **Pg. 80**



ArcPower™ 36 SW, 72 SW, 144 SW, 360 SW ▶ **Pg. 81**



ArcPower™ 16x6 ▶ **Pg. 82**



ArcPower™ 48 ▶ **Pg. 83**



ArcSplitter™ 4, 2x12 ▶ **Pg. 84**



ArcPower™ 36/K2, 72/K2 ▶ **Pg. 85**



ArcPower™ 36/K2 SW ▶ **Pg. 86**  
ArcPower™ 72/K2 SW



ArcPower™ 24 Outdoor ▶ **Pg. 87**



ArcPower™ 48 Outdoor ▶ **Pg. 88**



ArcPower™ 192 Outdoor ▶ **Pg. 89**



ArcPower™ 24MC (24V) ▶ **Pg. 90**



# ArcPower™ 70 DRS, ArcPower™ 200 DRS, ArcPower™ 600 DRS

The Anolis ArcPower™ DRS (DIN RAIL SYSTEM) is a brand new range of products creating a system of both power supply and control for the extensive range of Anolis LED luminaires. By combining the latest LED driver technology and data protocols with the industry standard EN, IEC din rail mounting system, the ArcPower™ DRS provides a truly flexible and efficient range of options for bringing to life both the most simple and most sophisticated of lighting schemes. Separate power supply, control and output modules allow systems to be built to meet the precise requirements of the specified products, leading to greater ease of installation and higher system efficiency.



## TECHNICAL SPECIFICATIONS:

### ELECTRICAL

Input Voltage 100-277V AC 50/60 Hz  
 Max. Output Power 70W / 200W / 600W  
 Typical Power Consumption 80W / 220W / 650W, +/-10%  
 Max. Output Voltage 48V (CE), 28V, 48V (US)

### CONTROL

Control System ArcControl DRS, ArcControl DRS Pixel

### PHYSICAL

Width x Height x Depth  
 ArcPower 70 DRS: 161 x 128 x 83 mm (6.34 x 5.04 x 3.27 inch)  
 ArcPower 200 DRS: 211 x 128 x 83 mm (8.31 x 5.04 x 3.27 inch)  
 ArcPower 600 DRS: 266 x 128 x 83 mm ( 10.47 x 5.04 x 3.27 inch)

Weight  
 ArcPower 70 DRS: 0.8 kg (1.76 lbs)  
 ArcPower 200 DRS: 1.2 kg (2.65 lbs)  
 ArcPower 600 DRS: 1.7 kg (3.75 lbs)

Power  
 ArcControl DRS Connection Plug-In Terminal Block  
 Mounting Method Din Rail Lock  
 Protection Factor IP20 / Suitable For Dry Locations  
 Cooling System Fan Cooled  
 Operating Ambient Temperature 0° / +50°C (+32°F / +122°F)

### CERTIFICATION

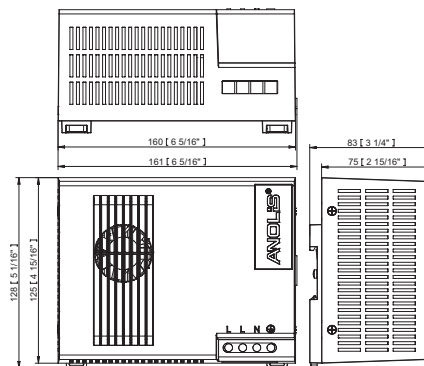
Listings ETL / cETL, CE, RoHS pending

### ACCESSORIES

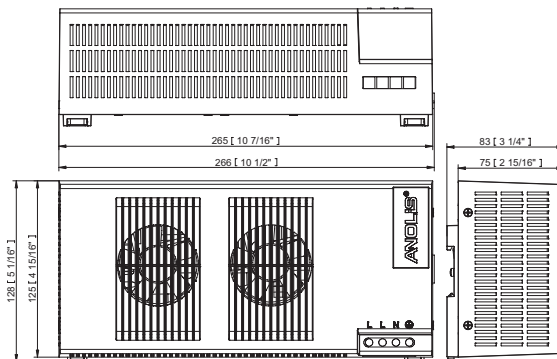
DIN Rail Clamp (included)  
 Cable Cover for ArcPower 70/200/600 DRS (optional)  
 DIN Rail 35mm for DRS  
 ArcPower DRS „DF“ (Dust Filter) Version available

## DIMENSIONS mm (in):

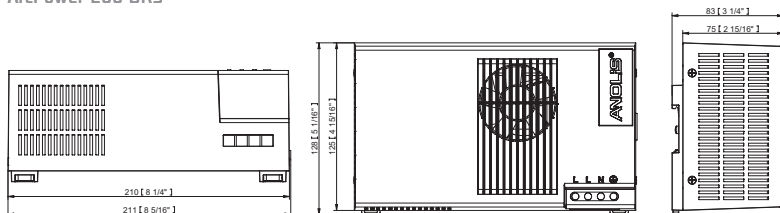
ArcPower 70 DRS



ArcPower 600 DRS



ArcPower 200 DRS



# ArcControl™ DRS, ArcControl™ DRS Pixel

The Anolis ArcPower™ DRS (DIN RAIL SYSTEM) is a brand new range of products creating a system of both power supply and control for the extensive range of Anolis LED luminaires. By combining the latest LED driver technology and data protocols with the industry standard EN, IEC din rail mounting system, the ArcPower™ DRS provides a truly flexible and efficient range of options for bringing to life both the most simple and most sophisticated of lighting schemes. Separate power supply, control and output modules allow systems to be built to meet the precise requirements of the specified products, leading to greater ease of installation and higher system efficiency.



## TECHNICAL SPECIFICATIONS:

### ELECTRICAL

|   |  |
|---|--|
| Input Voltage                             | 48V (CE), 28V, 48V (US)                            |
| Typical Power Consumption                 | 4W (Without Connected LED Module)                  |
| Max. Output Current (ArcControl DRS only) | 350mA or 700mA (or Custom Setting 100mA-1000mA)    |
| Max. Output Power                         | ArcControl DRS: 134W<br>ArcControl DRS Pixel: 150W |

### CONTROL

|                    |   |
|--------------------|---|
| Interface Protocol | USITT DMX512, ArtNet, MANet, MANet2, sACN       |
| Operation Modes    | DMX, Stand-Alone                                |
| Display            | Graphic Touch Screen (50x40mm / 1.97x1.57 inch) |

### PHYSICAL

|                                     |   |
|-------------------------------------|---|
| Width x Height x Depth              | 143 x 128 x 83 mm (5.63 x 5.04 x 3.27 inch)   |
| Weight                              | 0.5 kg (1.1 lbs)  |
| Number of LED Output Zones          | 1   |
| Max. Number of Connected ArcZones   | ArcControl DRS: 15x ArcZone DRS or 8x ArcZone DRS Pixel<br>ArcControl DRS Pixel: 7x ArcZone DRS Pixel or 16x ArcZone DRS Pixel  |
| Max. Load Per Channel               | ArcControl DRS (48V): Max. 12 LEDs  |
| Max. Load Per Output                | ArcControl DRS Pixel (CE): 100x ArcPix or 35x ArcDot/<br>ArcSource Outdoor 4MC Pixel /ArcDotFlash/3x ArcSource Outdoor 16MC Pixel<br>ArcControl DRS Pixel (US,48V): 65x ArcPix or 16x ArcDot/<br>ArcSource Outdoor 4MC Pixel /ArcDotFlash/2x ArcSource Outdoor 16MC Pixel |
| ArcPower DRS/ArcZone DRS Connection | Plug-In Terminal Block  |
| LED Output (ArcControl DRS)         | RJ45/Terminal Block (8-Pin)   |
| LED Output (ArcControl DRS Pixel)   | Terminal Blocks (3-Pin And 5-Pin)   |
| DMX Connection In/Out               | Terminal Block  |
| Ethernet Connection                 | RJ45  |
| Other                               | Trigger Input, Max. 5V DC (Terminal Block)<br>12V DC Output For DMX Controller  |
| Mounting Method                     | Din Rail Lock   |
| Editable Programs                   | 3 (Up To 40 Steps Each)   |
| Protection Factor                   | IP20 / Suitable For Dry Locations   |
| Cooling System                      | Convection  |
| Operating Ambient Temperature       | 0° / +50°C (+32°F / +122°F)   |

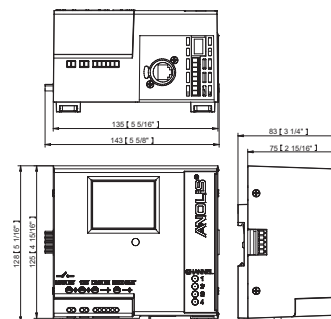
### CERTIFICATION

|          |                              |
|----------|------------------------------|
| Listings | ETL / cETL, CE, RoHS pending |
|----------|------------------------------|

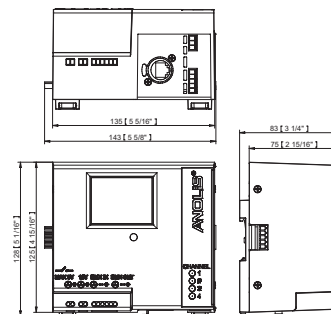


## DIMENSIONS mm (in):

ArcControl DRS



ArcControl DRS Pixel



### ACCESSORIES

- ArcControl DRS: Terminal Block M, 8-Pin (included)
- ArcControl DRS Pixel: Terminal Blocks M, 3-Pin And 5-Pin (included)
- DIN Rail 35mm for DRS
- Terminal Block DRS, Screw Female (5-pin)
- Terminal Block DRS, Screw Male (5-pin)
- Cable Flat UL2458#AWG18
- ArcZone DRS 0-10V, ArcZone DRS 0-10V (LV)
- ArcZone DRS RTC



# ArcZone™ DRS, ArcZone™ DRS Pixel

The Anolis ArcPower™ DRS (DIN RAIL SYSTEM) is a brand new range of products creating a system of both power supply and control for the extensive range of Anolis LED luminaires. By combining the latest LED driver technology and data protocols with the industry standard EN, IEC din rail mounting system, the ArcPower™ DRS provides a truly flexible and efficient range of options for bringing to life both the most simple and most sophisticated of lighting schemes. Separate power supply, control and output modules allow systems to be built to meet the precise requirements of the specified products, leading to greater ease of installation and higher system efficiency.



## TECHNICAL SPECIFICATIONS:

### ELECTRICAL

|   |   |
|---|---|
| Input Voltage                             | 48V (CE), 28V, 48V (US)                         |
| Typical Power Consumption                 | 2W (Without Connected LED Module)               |
| Max. Output Current (ArcControl DRS only) | 350mA or 700mA (or Custom Setting 100mA-1000mA) |
| Max. Output Power                         | ArcZone DRS: 134W<br>ArcZone DRS Pixel: 150W    |

### CONTROL

|   |   |
|---|---|
| Width x Height x Depth                  | 38 x 128 x 83 mm [1.50 x 5.04 x 3.27 inch]  |
| Weight                                  | 0.2 kg [0.44 lbs]   |
| Number of LED Output Zones              | 1   |
| Max. Load Per Channel                   | ArcControl DRS (48V): Max. 12 LEDs  |
| Max. Load Per Output                    | ArcControl DRS Pixel (CE): 100x ArcPix or 35x ArcDot/<br>ArcSource Outdoor 4MC Pixel /ArcDotFlash/3x ArcSource Outdoor 16MC Pixel<br>ArcControl DRS Pixel (US,48V): 65x ArcPix or 16x ArcDot/<br>ArcSource Outdoor 4MC Pixel /ArcDotFlash/2x ArcSource Outdoor 16MC Pixel |
| ArcControl DRS/ArcZone DRS Connection   | Plug-In Terminal Block  |
| LED Output (ArcZone DRS)                | RJ45/Terminal Block (8-Pin)   |
| LED Output (ArcZone DRS Pixel)          | Terminal Blocks (3-Pin And 5-Pin)   |
| Mounting Method                         | Din Rail Lock   |
| Max. Cable Length (ArcControl DRS only) | 80m (350mA), 20m (700mA)  |
| Protection Factor                       | IP20 / Suitable For Dry Locations   |
| Cooling System                          | Convection  |
| Operating Ambient Temperature           | 0° / +50°C [+32°F / +122°F]   |

### CERTIFICATION

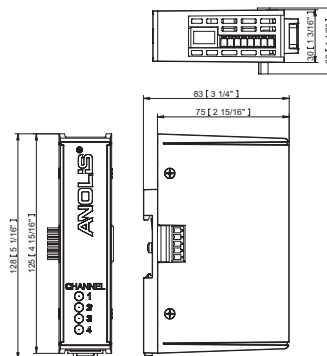
Listings ETL / cETL, CE, RoHS pending

### ACCESSORIES

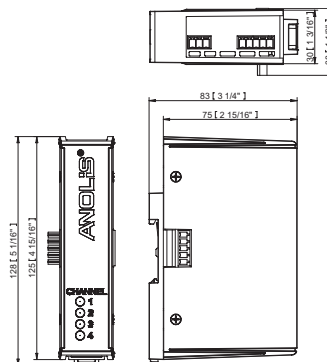
- ArcZone DRS: Terminal Block M, 8-Pin (included)
- ArcControl DRS Pixel: Terminal Blocks M, 3-Pin And 5-Pin (included)
- DIN Rail 35mm for DRS
- Terminal Block DRS, Screw Female (5-pin)
- Terminal Block DRS, Screw Male (5-pin)
- Cable Flat UL2468#AWG18
- ArcZone DRS 0-10V, ArcZone DRS 0-10V (LV)
- ArcZone DRS RTC

## DIMENSIONS mm (in):

ArcZone DRS



ArcZone DRS Pixel





# ArcPower™ Rack Unit, ArcPower™ Rack Unit Pixel

Continuing the success of the ArcPower™ 384 Rack Mount, the NEW ArcPower™ Rack Unit integrates the latest technology to offer even greater performance in terms of both efficiency and flexibility.



## TECHNICAL SPECIFICATIONS:

### ELECTRICAL

Input Voltage 100-240V AC 50/60 Hz (CE), 100-277V AC 50/60 Hz (US)  
 Typical Power Consumption 1400W +/-10%  
 Max. Output Current (Rack Unit only) 350mA, 700mA, custom 100mA-1000mA Per Channel  
 Max Output Voltage 48V (CE), 28V, 48V (US)

### CONTROL

Interface Protocol USITT DMX512, ArtNet, MANet, MANet2, sACN  
 Operation Modes DMX, Master/Slave, Stand-Alone  
 Control System Graphic Touch Screen (50x40mm / 1.97x1.57 inch)

### PHYSICAL

Width x Height x Depth 484 (432) x 90 x 321 (282) mm [19.05 (17.00) x 3.54 x 12.64 (11.10) inch]  
 Weight 6.5 kg / 14.3 lbs  
 Number of LED Output Zones 8  
 Typical Max. Load Per Channel (48V) Max. 12 LEDs  
 Typical Max. Load Per Output (Pixel, 48V) (CE): 100x ArcPix or 35x ArcDot/ArcSource Outdoor 4MC Pixel /ArcDotFlash/3x ArcSource Outdoor 16MC Pixel  
 (US,48V): 65x ArcPix or 16x ArcDot/ArcSource Outdoor 4MC Pixel /ArcDotFlash/2x ArcSource Outdoor 16MC Pixel

### LED Output

DMX Connection In/Out Rack Unit: RJ45/Terminal Block (8-Pin)  
 Ethernet Connection Rack Unit Pixel: Terminal Blocks (3-Pin And 5-Pin)  
 Other Terminal Block (2x 3-Pin XLR)  
 RJ45  
 Trigger Input, Max. 5V DC (Terminal Block)  
 12V DC Output For DMX Controller  
 3 (Up To 40 Steps Each)

Editable Programs Rack Mount  
 Mounting Method IP20 / Suitable For Dry Locations  
 Protection Factor Fan Cooled  
 Cooling System  
 Operating Ambient Temperature 0° / +40°C [+32°F / +104°F]  
 Operating Temperature +75°C @ Ambient +50°C [+167°F @ Ambient +122°F]  
 Total Heat Dissipation (calculated) 4770 BTU/h

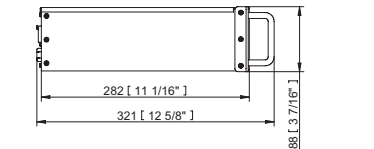
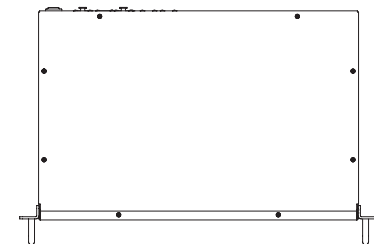
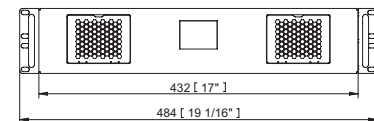
### CERTIFICATION

Listings ETL / cETL, CE, RoHS pending

### ACCESSORIES

Rack Unit: 8x Terminal Block M, 8-Pin (included)  
 Rack Unit Pixel: 8+8 Terminal Blocks M, 3-Pin And 5-Pin (included)

## DIMENSIONS mm [in]:



ArcPower Rack Unit - rear panel



ArcPower Rack Unit Pixel - rear panel



# ArcPower™ 36, 72, 144, 360

The Anolis range of LED lighting fixtures is brought to life with power and control via the ArcPower™ range. Manufactured from only the highest quality components the ArcPower™ range produces both the performance and reliability required for modern lighting solutions. Using industry standard protocols such as DMX 512 and RS232 along with globally recognized RJ45 connectors the ArcPower™ range is the lighting designer's perfect solution.



## TECHNICAL SPECIFICATIONS:

### ELECTRICAL

Input Voltage 100-240V AC 50/60 Hz  
 Typical Power Consumption 60W, 120W, 240W, 840W, +/-10%  
 Max Output Current 350mA Per Colour

### CONTROL

Interface Protocol USITT DMX512, DyNet, RS232  
 Operation Modes DMX, Master/ Slave, Stand-Alone  
 Display 3 Digit LED

### PHYSICAL

Width x Height x Depth  
 Inches: 36 - 12.84 x 2.21 x 2.99, 72 - 12.84 x 2.21 x 5.35,  
 144 - 12.84 x 2.21 x 10.08, 360 - 24.65 x 2.21 x 12.84  
 mm: 36 - 326 x 56 x 76, 72 - 326 x 56 x 136,  
 144 - 326 x 56 x 256, 360 - 626 x 56 x 326  
 Weight  
 lbs: 36 - 2.43, 72 - 4, 144 - 6.4, 360 - 13.9  
 kg: 36 - 1.1, 72 - 1.8, 144 - 2.9, 360 - 6.3  
 Number of Led Output Zones 36 - 1, 72 - 2, 144 - 4, 360 - 10  
 Maximum Load Per Zone  
 RGB: 36 x 1W LEDs  
 RGBW: 42 x 1W LEDs  
 RGBW (MC): 10x MC LED's  
 Total Load  
 RGB: 36 x 1W LEDs, 72 x 1W LEDs, 144 x 1W LEDs, 360 x 1W LEDs  
 RGBW: 42 x 1W LEDs, 84 x 1W LEDs, 168 x 1W LEDs, 420 x 1W LEDs  
 RGBW (MC): 10 x MC LEDs, 20 x MC LEDs, 40 x MC LEDs, 100 x MC LEDs  
 DMX Channels  
 36 - 3, 4, 6, 7, 4, 72 - 6, 8, 11, 4, 4, 144 - 12, 16, 19, 4, 4,  
 360 - 30, 40, 43, 4, 5  
 DMX Modes  
 36 - 5, 72 - 5, 144 - 5, 360 - 5  
 Built in Programs  
 36 - 10, 72 - 6, 144 - 6, 360 - 6  
 Editable Programs  
 36 - 3 (Upto 50 Steps Each), 72 - 3 (Upto 50 Steps Each),  
 144 - 3 (Upto 50 Steps Each), 360 - 3 (Upto 30 Steps Each)  
 Max Cable Length  
 80m Max Per Zone  
 LED Output Connection  
 RJ45  
 DMX Connection  
 RJ45  
 RS232 Connection  
 DE-9 (Male)  
 Mounting Method  
 36 - 2 Mounting Holes, 72 - 2 Mounting Holes, 144 - 4 Mounting Holes  
 360 - 6 Mounting Holes  
 Protection Factor  
 IP20  
 Cooling System  
 Convection  
 Operating Temperature Range  
 -10°C / +40°C (14°F / +104°F)

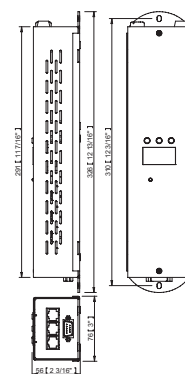
### CERTIFICATION

Listings CE, RoHS, ETL / cETL

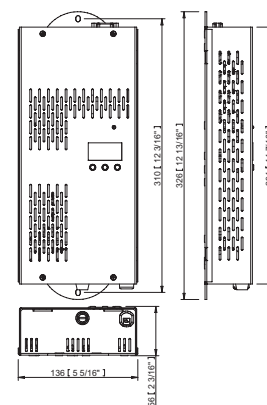


## DIMENSIONS mm [in]:

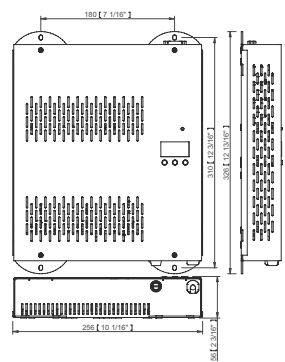
ArcPower 36



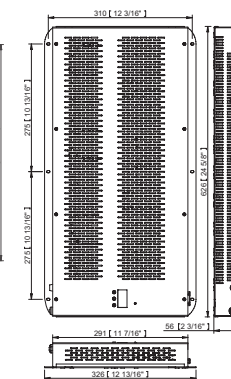
ArcPower 72



ArcPower 144



ArcPower 360



### ACCESSORIES

Cable Joiner (included)  
 RJ45 / DMX 3 Pin Adaptor  
 RJ45 / DMX 5 Pin Adaptor

# ArcPower™ 36 SW, 72 SW, 144 SW, 360 SW

The ArcPower™ 36, 72, 144 SmartWhite bring life to the Anolis SmartWhite range of LED lighting fixtures. Electronic dimming of the individual white channels allows smooth fading through a range of available colour temperatures, allowing for precise control of the colour rendering for the widest range of applications. Using industry standard protocols such as DMX 512 and RS232 along with globally recognized RJ45 connectors the ArcPower™ SmartWhite range is the lighting designer's perfect solution for variable white light applications.



## TECHNICAL SPECIFICATIONS:

### ELECTRICAL

Input Voltage 100-240V AC 50/60 Hz  
 Typical Power Consumption 60W, 120W, 240W, 840W, +/-10%

Max Output Current 350mA Per Colour

### CONTROL

Interface Protocol USITT DMX512, DyNet, RS232  
 Operation Modes DMX, Master/ Slave, Stand-Alone  
 Display 3 Digit LED

### PHYSICAL

Width x Height x Depth  
 Inches: 36 - 12.84 x 2.21 x 2.99, 72 - 12.84 x 2.21 x 5.35,  
 144 - 12.84 x 2.21 x 10.08, 360 - 24.65 x 2.21 x 12.84  
 mm: 36 - 326 x 56 x 76, 72 - 326 x 56 x 136,  
 144 - 326 x 56 x 256, 360 - 626 x 56 x 326

Weight  
 lbs: 36 - 2.43, 72 - 4, 144 - 6.4, 360 - 13.9  
 kg: 36 - 1.1, 72 - 1.8, 144 - 2.9, 360 - 6.3

Number of Led Output Zones 36 - 1, 72 - 2, 144 - 4, 360 - 10

Maximum Load Per Zone SW: 36 x 1W LED's

Total Load SW (MC): 10 x MC LED's

DMX Channels SW: 36 x 1W LED's, 72 x 1W LED's, 144 x 1W LED's, 360 x 1W LED's

DMX Modes SW (MC): 36 - 10 x MC LED's, 72 - 20 x MC LED's, 144 - 40 x MC LED's,  
 360 - 100 x MC LED's

Built in Programs 36 - 2, 1, 2, 4, 3, 72 - 4, 1, 3, 6, 3, 6, 144 - 8, 1, 5, 10, 3, 12,  
 360 - 20, 1, 11, 22

Editable Programs 36 - 5, 72 - 6, 144 - 6, 360 - 4

36 - 2, 72 - 2, 144 - 2, 360 - 3

36 - 1 (up to 50 Steps Each), 72 - 1 (up to 50 Steps Each),  
 144 - 1 (up to 50 Steps Each), 360 - 1 (up to 30 Steps Each)

Max Cable Length 80m Max Per Zone

LED Output Connection RJ45

DMX Connection RJ45

RS232 Connection DE-9 (Male)

Mounting Method 36 - 2 Mounting Holes, 72 - 2 Mounting Holes, 144 - 4 Mounting Holes  
 360 - 6 Mounting Holes

Protection Factor IP20

Cooling System Convection

Operating Temperature Range -10°C / +40°C (14°F / +104°F)

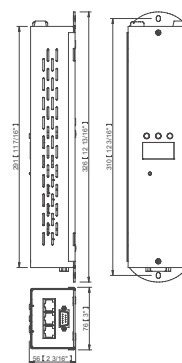
### CERTIFICATION

Listings CE, RoHS, ETL / cETL

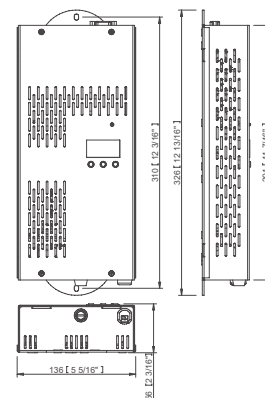


## DIMENSIONS mm [in]:

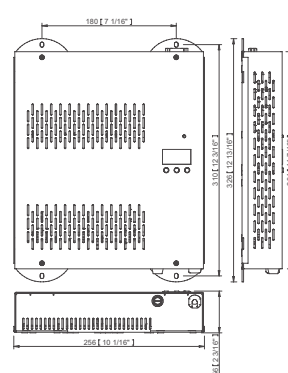
ArcPower 36 SW



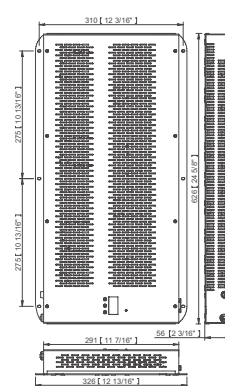
ArcPower 72 SW



ArcPower 144 SW



ArcPower 360 SW



### ACCESSORIES

Cable Joiner (included)  
 RJ45 / DMX 3 Pin Adaptor  
 RJ45 / DMX 5 Pin Adaptor

# ArcPower™ 16x6

When individual fixture control is required the ArcPower™ 16x6 comes into its own. With 16 separately DMX addressable outputs the ArcPower™ 16x6 can be used to control complex patterns and matrixes. Each output is able to power up to 6 LEDs making this the perfect control option for ArcSource™ 1MC, 4MC and ArcLink™ products. With built-in programs and user editable programs the ArcPower™ 16x6 can be linked to further units and operated in a master/slave configuration. The ArcPower™ 16x6 can also be linked via DMX to the other ArcPower™ units in the range.



## TECHNICAL SPECIFICATIONS:

### ELECTRICAL

|                           |                      |
|---------------------------|----------------------|
| Input Voltage             | 100-240V AC 50/60 Hz |
| Typical Power Consumption | 120W (+/- 10%)       |
| Max Output Current        | 350mA Per Colour     |

### CONTROL

|                    |                  |
|--------------------|------------------|
| Interface Protocol | USITT DMX512     |
| Operation Modes    | DMX, Stand-Alone |
| Display            | 4 Digit LED      |

### PHYSICAL

|                             |   |
|-----------------------------|---|
| Width x Height x Depth      | Inches: 10.28 x 2.52 x 8.9<br>mm: 261 x 64 x 226                                |
| Weight                      | lbs: 4.41<br>kg: 2  |
| Number of Led Output Zones  | RGB Mode - 16, RGBW Mode - 12   |
| Maximum Load Per Zone       | RGB - 6 x 1W LEDs, RGBW - 8 x 1W LEDs RGBW (MC) - 2 x MC LEDs                   |
| Total Load                  | RGB - 16 x 6 x 1W LEDs, RGBW - 12 x 8 x 1W LEDs,<br>RGBW (MC): 12 x 2 x MC LEDs |
| DMX Channels                | 3, 5, 48, 50, 4, 6, 48, 50  |
| DMX Modes                   | 8   |
| Built In Programs           | None  |
| Editable Programs           | 2 (up to 64 Steps Each)   |
| Max Cable Length            | 20m Per Zone (Max. 80m Total Cable Length on Zones 1-8 and 9-16)                |
| LED Output Connection       | RJ45  |
| DMX Connection              | RJ45  |
| Mounting Method             | 4 Mounting Holes  |
| Protection Factor           | IP20  |
| Cooling System              | Convection  |
| Operating Temperature Range | -10°C / +40°C (14°F / +104°F)   |

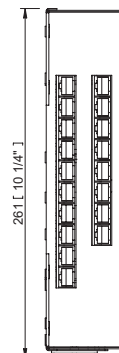
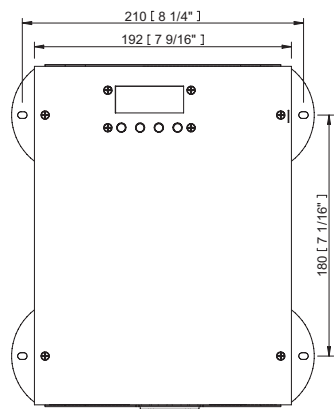
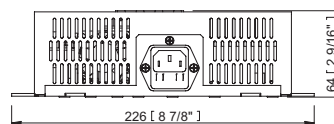
### CERTIFICATION

|          |          |
|----------|----------|
| Listings | CE, RoHS |
|----------|----------|

### ACCESSORIES

|                          |
|--------------------------|
| Cable Joiner (Included)  |
| RJ45 / DMX 3 Pin Adaptor |
| RJ45 / DMX 5 Pin Adaptor |

## DIMENSIONS mm [in]:



# ArcPower™ 48

The ArcPower™ has been designed and manufactured to the same high standards as the ArcPower™ 36 to bring to life the phenomenal ArcPad™ 48 range. Delivering the perfect balanced power to the ArcPad™ 48's rebel LEDs the ArcPower™ 48 means that ArcPads™ are able to be seamlessly integrated into installations combining other Anolis products.

Multi connectivity including DMX, RS232, and Dynet via industry standard CAT5 connections means ArcPower™ 48 is easily interfaced with the widest variety of standard lighting control systems.



## TECHNICAL SPECIFICATIONS:

### ELECTRICAL

|                           |  |
|---------------------------|--|
| Input Voltage             | 100-240V AC 50/60 Hz                   |
| Typical Power Consumption | 60W +/-10%                             |
| Max Output Current        | 700mA (White, Green, Blue) 420mA (Red) |

### CONTROL

|                    |                                 |
|--------------------|---------------------------------|
| Interface Protocol | USITT DMX512, DyNet, RS232      |
| Operation Modes    | DMX, Master/ Slave, Stand-Alone |
| Display            | 3 Digit LED                     |

### PHYSICAL

|                             |  |
|-----------------------------|--|
| Width x Height x Depth      | Inches: 12.84 x 2.21 x 2.99<br>mm: 326 x 56 x 76 |
| Weight                      | lbs: 2.43<br>kg: 1.1                             |
| Number of Led Output Zones  | 1  |
| Maximum Load Per Zone       | RGBW - 48x 3W LED's                              |
| Total Load                  | RGBW - 48x 3W LED's                              |
| DMX Channels                | 3, 4, 6, 7, 4, 2                                 |
| DMX Modes                   | 6  |
| Built in Programs           | 10   |
| Editable Programs           | 3 (up to 50 Steps Each)                          |
| Max Cable Length            | 40m Max Per Zone                                 |
| LED Output Connection       | RJ45   |
| DMX Connection              | RJ45   |
| RS232 Connection            | DE-9 (Male)                                      |
| Mounting Method             | 2 Mounting Holes                                 |
| Protection Factor           | IP20   |
| Cooling System              | Convection                                       |
| Operating Temperature Range | -10°C / +40°C (14°F / +104°F)                    |

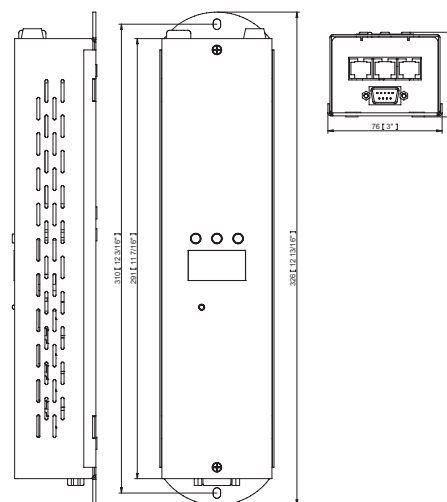
### CERTIFICATION

|          |          |
|----------|----------|
| Listings | CE, RoHS |
|----------|----------|

### ACCESSORIES

|                          |
|--------------------------|
| Cable Joiner (included)  |
| RJ45 / DMX 3 Pin Adaptor |
| RJ45 / DMX 5 Pin Adaptor |

## DIMENSIONS mm [in]:



# ArcSplitter™ 4, 2x12

The ArcSplitter™ unit splits LED outputs of the ArcPower™ drivers into several branches. The ArcSplitter™ allows cabling of multiple LED modules to be easier and faster. Small and compact in design, mounting holes in the unit's housing allows easy installation without needing an extra PSU. All splitters are equipped with RJ45 sockets for data input/output. The ArcSplitter™ 4 splits one LED output of the ArcPower™ driver into 4 branches. The ArcSplitter™ 2x12 splits two LED outputs of the ArcPower™ driver into 12 branches each.



## TECHNICAL SPECIFICATIONS:

### PHYSICAL

|                        |   |
|------------------------|---|
| Number of LED Outputs  | 4, 2x12   |
| Width x Height x Depth | Inches: 8.50 x 1.26 x 3.74 (ArcSplitter 2 x 12 - 18.19 x 1.77 x 6.06)<br>mm: 216 x 32 x 95 ( ArcSplitter 2 x 12 - 462 x 45 x 154) |
| Weight                 | lbs: 1.10 (ArcSplitter 2 x 12 - 4.19)<br>kg: 0.5 (ArcSplitter 2 x 12 - 1.9)   |
| LED Connection         | RJ45  |
| Construction           | Sheet Metal Housing   |
| Mounting               | 2 Mounting Holes ( 4 Mounting Holes)<br>Rackmount version available for ArcSplitter 2 x 12  |

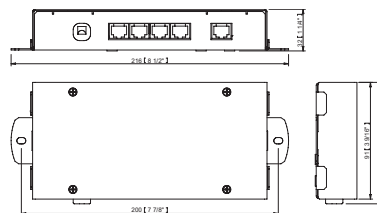
### CERTIFICATION

|          |          |
|----------|----------|
| Listings | CE, RoHS |
|----------|----------|

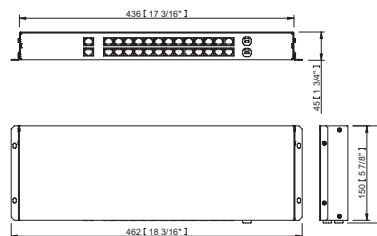


## DIMENSIONS mm [in]:

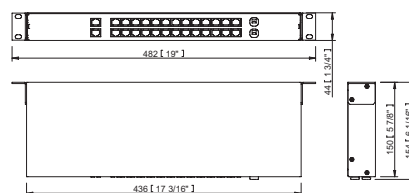
ArcSplitter 4



ArcSplitter 2x12



ArcSplitter 2x12 (with rack holders)





# ArcPower™ 36/K2, 72/K2

When high output Anolis products of 700mA range need power and control the ArcPower 36/K2™ or ArcPower 72/K2™ can be used to all effects. Utilizing industry standard CAT5 connectors along with DMX 512 and RS232 inputs the ArcPower 36/K2™ and ArcPower 72/K2™ include built-in programs as well as onboard programming which allows it to be integrated with ease into virtually any lighting control system.



## TECHNICAL SPECIFICATIONS:

### ELECTRICAL

Input Voltage 100-240V AC 50/60 Hz  
 Typical Power Consumption 120W (36/K2) 240W (72/K2) +/-10%  
 Max Output Current 700mA Per Colour

### CONTROL

Interface Protocol USITT DMX512, DyNet, RS232  
 Operation Modes DMX, Master/ Slave, Stand-Alone  
 Display 3 Digit LED

### PHYSICAL

Width x Height x Depth  
 Inches: 36 - 12.84 x 2.21 x 5.35, 72 - 12.84 x 2.21 x 10.08  
 mm: 36 - 326 x 56 x 136, 72 - 326 x 56 x 256

Weight  
 lbs: 36 - 4, 72 - 6.4  
 kg: 36 - 1.8, 72 - 2.5

Number of Led Output Zones 36 - 1, 72 - 2

Maximum Load Per Zone  
 RGB: 36 - 36 x 3W LEDs, 72 - 36 x 3W LEDs  
 RGBW: 36 - 42 x 3W LEDs, 72 - 42 x 3W LEDs  
 RGBW (MC): 36 - 10 x MC LEDs, 72 - 10 x MC LEDs

Total Load  
 RGB: 36 - 36 x 3W LEDs, 72 - 72 x 3W LEDs  
 RGBW: 36 - 42 x 3W LEDs, 72 - 84 x 3W LEDs  
 RGBW (MC): 36 - 10 x MC LEDs, 72 - 20 x MC LEDs

DMX Channels 36 - 3, 4, 6, 7, 4, 72 - 6, 8, 11, 4, 4

DMX Modes 36 - 5, 72 - 5

Built in Programs 36 - 10, 72 - 6

Editable Programs 36 - 3 (Upto 50 Steps Each), 72 - 3 (Upto 30 Steps Each)

Max Cable Length 20m Max Per Zone

LED Output Connection RJ45, 72

DMX Connection RJ45

RS232 Connection DE-9 (Male)

Mounting Method 36 - 2 Mounting Holes, 72 - 4 Mounting Holes

Protection Factor IP20

Cooling System Convection

Operating Temperature Range -10°C / +40°C (14°F / +104°F)

### CERTIFICATION

Listings CE, RoHS

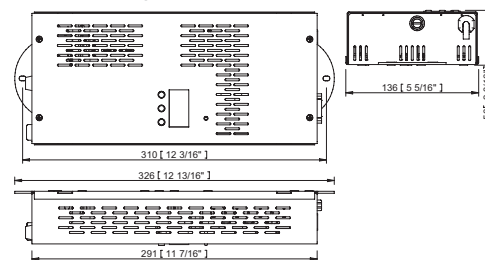
### ACCESSORIES

Cable Joiner (included)  
 RJ45 / DMX 3 Pin Adaptor  
 RJ45 / DMX 5 Pin Adaptor

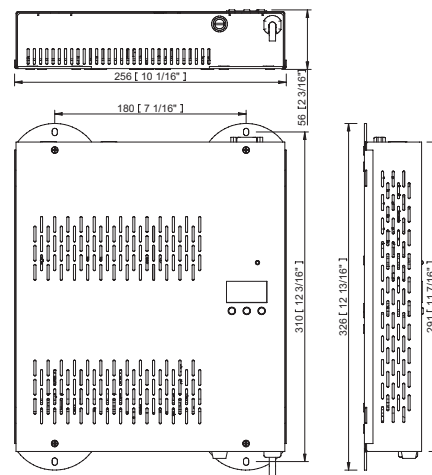


## DIMENSIONS mm [in]:

ArcPower 36/K2



ArcPower 72/K2



# ArcPower™ 36/K2 SW, 72/K2 SW

The ArcPower™ 36/K2, 72/K2 SmartWhite represent ideal drivers for Anolis 700mA LED modules. Specific property of the drivers – electronic dimming of the individual white channels - provides smooth fading through range of available colour temperatures allowing for precise control of the colour rendering for applications in the decorative and architectural lighting fields. Utilizing the industry standard CAT5 connectors, user-friendly programmability, DMX 512/RS232 inputs as well as support of DyNet protocol both drivers can be easily integrated with any lighting systems.



## TECHNICAL SPECIFICATIONS:

### ELECTRICAL

Input Voltage 100-240V AC 50/60 Hz  
 Typical Power Consumption 120W (36/K2) 240W (72/K2) +/-10%  
 Max Output Current 700mA Per Colour

### CONTROL

Interface Protocol USITT DMX512, DyNet, RS232  
 Operation Modes DMX, Master/ Slave, Stand-Alone  
 Display 3 Digit LED

### PHYSICAL

Width x Height x Depth Inches: 36 - 12.84 x 2.21 x 5.35, 72 - 12.84 x 2.21 x 10.08  
 mm: 36 - 326 x 56 x 136, 72 - 326 x 56 x 256  
 lbs: 36 - 4, 72 - 6.4  
 kg: 36 - 1.8, 72 - 2.5

Number of Led Output Zones 36 - 1, 72 - 2  
 Maximum Load Per Zone SW: 36 - 36 x 3W LEDs, 72 - 36 x 3W LEDs  
 SW (MC): 36 - 10 x MC LEDs, 72 - 10 x MC LEDs  
 SW: 36 - 36 x 3W LEDs, 72 - 72 x 3W LEDs  
 SW (MC): 36 - 10 x MC LEDs, 72 - 20 x MC LEDs

Total Load 36 - 2, 1, 2, 4, 3, 72 - 4, 1, 3, 6, 3, 6

DMX Channels 36 - 5, 72 - 6  
 DMX Modes 36 - 2, 72 - 2  
 Built in Programs 36 - 1 (up to 50 Steps Each), 72 - 1 (up to 30 Steps Each)  
 Max Cable Length 20m Max Per Zone  
 LED Output Connection RJ45, 72  
 DMX Connection RJ45  
 RS232 Connection DE-9 (Male)  
 Mounting Method 36 - 2 Mounting Holes, 72 - 4 Mounting Holes  
 Protection Factor IP20  
 Cooling System Convection  
 Operating Temperature Range -10°C / +40°C (14°F / +104°F)

### CERTIFICATION

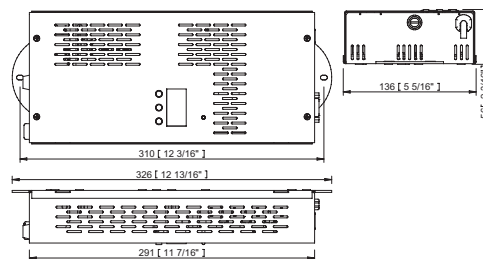
Listings CE, RoHS

### ACCESSORIES

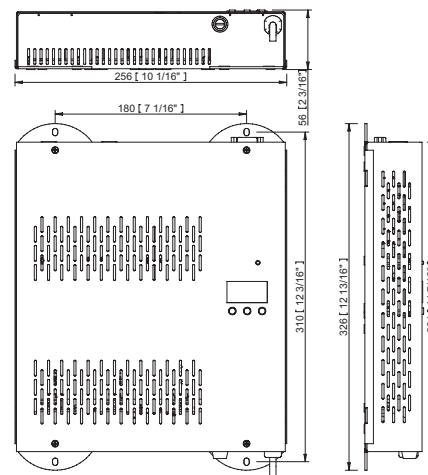
Cable Joiner (included)  
 RJ45 / DMX 3 Pin Adaptor  
 RJ45 / DMX 5 Pin Adaptor

## DIMENSIONS mm [in]:

ArcPower 36/K2 SmartWhite



ArcPower 72/K2 SmartWhite



# ArcPower™ 24 Outdoor

Robust durable construction and excellent IP rating brings the benefits of the Anolis ArcPower™ to exterior installations in the toughest environmental conditions. Capable of operating in high ambient temperatures as well as sub-zero conditions, the ArcPower™ Outdoor 24 maintains extreme reliability where it's needed most at the heart of the system. With a wireless control option available only line voltage is required at the point of installation.



## TECHNICAL SPECIFICATIONS:

### ELECTRICAL

|                           |  |
|---------------------------|--|
| Input Voltage             | 100-240 VAC 50/60 Hz (CE), 120-277VAC 50/60 Hz (US)* |
| Typical Power Consumption | 70W +/-10%   |
| Max Output Current        | 350mA or 700mA Per Colour                            |

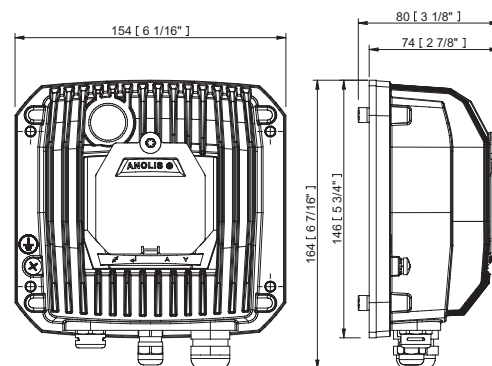
### CONTROL

|                    |   |
|--------------------|---|
| Interface Protocol | USITT DMX512, RDM, WIRELESS CRMX (OPTIONAL) |
| Operation Modes    | DMX, Stand-Alone                            |
| Display            | Two Row LCD and Control Buttons             |

### PHYSICAL

|                             |  |
|-----------------------------|--|
| Width x Height x Depth      | Inches: 6.06 x 6.46 x 3.23<br>mm: 154 x 164 x 82   |
| Weight                      | lbs: 3.1<br>kg: 1.4  |
| Number of Led Output Zones  | 1  |
| Maximum Load Per Zone       | RGBW MC - 6 x 10W MC RGBW<br>RGBW - 24 x 1W/3W LEDs<br>700mA - 24 LEDs - Max. 6 LEDs Per Colour<br>350mA - 24 LEDs - Max. 6 LEDs Per Colour  |
| Lighting Effects            | RGBW Colour Mixing<br>Virtual Colour Wheel<br>Adjustable Strobe Sequences<br>White Colour Balance Adjusting<br>16-Bit Dimming 0-100%<br>(RGBW) 2, 3, 4, 9 / (SW) 2, 2, 6 / (SC) 1, 3<br>(RGBW) 4 / (SW) 3 / (SC) 2<br>3 (Up to 40 Steps Each)<br>80m Max (350mA) 20m Max (700mA)<br>LiYY 8xAWG22 - 1x 0.5m Long (1.64ft), Chogori IP67 Connector<br>Silver, Black, White, Custom RAL (cost option) |
| DMX Channels                |  |
| DMX Modes                   |  |
| Editable Programs           |  |
| Max Cable Length            |  |
| LED Output Connection       |  |
| Finish Options              |  |
| Mounting Method             | 4 Mounting Holes   |
| Protection Factor           | IP67 (IP66 Junction Box)   |
| IK Rating                   | N/A  |
| Cooling System              | Convection   |
| Operating Temperature Range | +60°C @ Ambient +40°C (+140°F @ Ambient +104°F)  |

## DIMENSIONS mm [in]:



### CERTIFICATION

Listings ETL / cETL, CE, RoHS pending

### ACCESSORIES

Junction Box (included)  
Gasket Cable Grommet M20 (Included)  
Connector Chogori C6RBDU-08BMMA-SL8001 (Male) IP67 (included)

# ArcPower™ 48 Outdoor

When working on larger scale installations the ArcPower™ Outdoor 48 offers double the capacity of the ArcPower™ Outdoor 24 while combined with the same robust durable construction and excellent IP rating. It brings the benefits of the Anolis ArcPower™ to exterior installations in the toughest environmental conditions. Capable of operating in high ambient temperatures as well as sub-zero conditions, the ArcPower™ Outdoor 48 maintains extreme reliability where it's needed most, at the heart of the system. With a wireless control option available only line voltage is required at the point of installation.



## TECHNICAL SPECIFICATIONS:

### ELECTRICAL

Input Voltage 100-240 VAC 50/60 Hz (CE), 120-277VAC 50/60 Hz (US)\*  
 Typical Power Consumption 130W +/-10%  
 Max Output Current 350mA or 700mA Per Colour

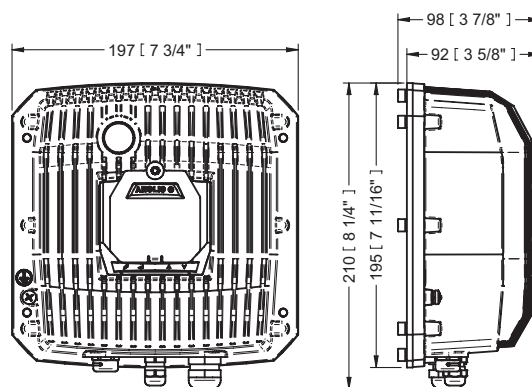
### CONTROL

Interface Protocol USITT DMX512, RDM, WIRELESS CRMX (OPTIONAL)  
 Operation Modes DMX, Stand-Alone  
 Display Two Row LCD and Control Buttons

### PHYSICAL

Width x Height x Depth Inches: 7.76 x 8.27 x 3.94  
 mm: 197 x 210 x 100  
 Weight lbs: 8.82  
 kg: 4  
 Number of Led Output Zones 1  
 Maximum Load Per Zone RGBW MC - 12 x 10W MC RGBW  
 RGBW - 48 x 1W/3W LEDs  
 700mA - 48 LEDs - Max. 12 LEDs Per Colour  
 350mA - 48 LEDs - Max. 12 LEDs Per Colour  
 Lighting Effects RGBW Colour Mixing  
 Virtual Colour Wheel  
 Adjustable Strobe Sequences  
 White Colour Balance Adjusting  
 16-Bit Dimming 0-100%  
 DMX Channels (RGBW) 2, 3, 4, 9 / (SW) 2, 2, 6 / (SC) 1, 3  
 DMX Modes (RGBW) 4 / (SW) 3 / (SC) 2  
 Editable Programs 3 (Up to 40 Steps Each)  
 Max Cable Length 80m Max (350mA) 20m Max (700mA)  
 LED Output Connection LiYY 8xAWG22 - 1x 0.5m Long (1.64ft), Chogori IP67 Connector  
 Finish Options Silver, Black, White, Custom RAL (cost option)  
 Mounting Method 4 Mounting Holes  
 Protection Factor IP67 (IP66 Junction Box)  
 Cooling System Convection  
 Operating Temperature Range +60°C @ Ambient +40°C (+140°F @ Ambient +104°F)

## DIMENSIONS mm [in]:



### CERTIFICATION

Listings ETL / cETL, CE, RoHS pending

### ACCESSORIES

Junction Box (included)  
 Gasket Cable Grommet M20 (Included)  
 Connector Chogori CGRBDU-08BMMMA-SL8001 (Male) IP67 (included)

# ArcPower™ 192 Outdoor

The latest addition to the highly successful range of Anolis ArcPower™ outdoor products is the ArcPower™ 192 Outdoor, a 600 Watt DMX power supply with 4 individually controllable zones. IP67 means installation is possible in the widest variety of environments, both DMX and power can be daisy chained for easy installation. Optional CRMX wireless control is also available giving even more flexibility. With an optional input voltage range up to 277V ArcPower™ 192 Outdoor can bring to life a huge range of landscape/cityscape and facade applications.



## TECHNICAL SPECIFICATIONS:

### ELECTRICAL

Input Voltage CE: 100-240 V AC 50/60 Hz, US: 100-277 V AC 50/60 Hz  
 Typical Power Consumption 600W +/-10%  
 Max Output Current 350mA or 700mA Per Colour

### CONTROL

Interface Protocol USITT DMX512, RDM, WIRELESS CRMX (OPTIONAL)  
 Operation Modes DMX, Stand Alone  
 Display No Display

### PHYSICAL

Width x Height x Depth inches: 23.62 x 7.64 x 3.86  
 mm: 600 x 194 x 98  
 lbs: 19.84  
 kg: 9

Number of Led Output Zones 4  
 Maximum Load Per Zone  
 RGBW MC - 12 x 10W MC RGBW  
 RGBW - 48 x 1W/3W LEDs  
 700mA - 48 LEDs - Max. 12 LEDs Per Colour  
 350mA - 48 LEDs - Max. 12 LEDs Per Colour

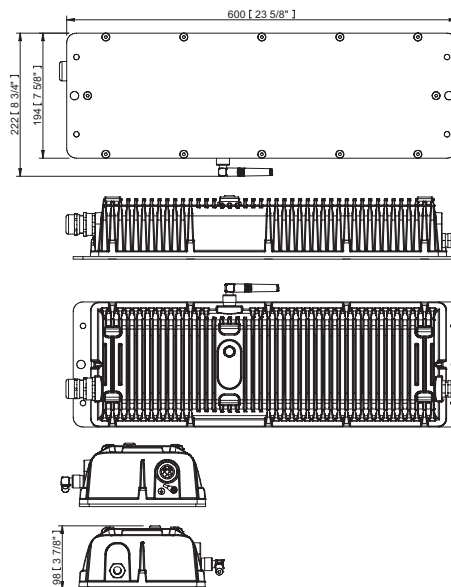
Total Load  
 RGBW MC - 48 x 10W MC RGBW  
 RGBW - 192 x 1W/3W LEDs

Lighting Effects  
 RGBW Colour Mixing  
 Built-in colour macros  
 White Colour Balance Adjusting  
 12,16,19,4,5

DMX Channels 5  
 DMX Modes 2 (Up to 68 Steps Each)  
 Editable Programs 80m Max (350mA), 20m Max (700mA)  
 Max Cable Length LiYY 8xAWG22 - 4x 0.5m Long (1.64ft), Chogori IP67 Connector  
 Finish Options: Silver, Black, White, Custom RAL (cost option)  
 Mounting Method 4 Mounting Holes  
 Protection Factor IP67 (IP66 Junction Box), Suitable for wet location  
 Cooling System Convection  
 Operating Temperature Range Max. +60°C @ Ambient +40°C (+140°F @ Ambient +104°F)



## DIMENSIONS mm (in):



### CERTIFICATION

Listings ETL / cETL, CE, RoHS

### ACCESSORIES

Junction Box (included)  
 Gasket Cable Grommet M20 (Included)  
 Connector Chogori CGRBDU-08BMMMA-SL8001 (Male) IP67 (4pcs, included)



# ArcPower™ 24MC (24V)

Designed to bring to life ArcSource™ 24MC Submersible lighting fixtures the ArcPower™ 24MC (24V) uses DMX to provide the colour/dimming control, also with built-in programs accessible by the 4-way digital display allowing for stand alone operation. An IP rating of 66 allows installation in a wide variety of environments.

Multiple fixture installation is made simple as both power and data cabling can be daisy chained, cable runs to fixtures in excess of 50m mean easy location planning. Switchable between 350mA and 700 mA output allows for extra low power consumption if required.



## TECHNICAL SPECIFICATIONS:

### ELECTRICAL

|                           |   |
|---------------------------|---|
| Input Voltage             | 100-277V AC 50/60 Hz                        |
| Typical Power Consumption | 75W (full mode) / 35W (eco mode), (+/- 10%) |
| Max. Output Current       | 700mA (full mode) / 350mA (eco mode)        |
| LED Output Voltage        | 24V DC                                      |

### CONTROL

|                    |                        |
|--------------------|------------------------|
| Interface Protocol | USITT DMX512           |
| Operation Modes    | DMX, Stand Alone       |
| Display            | 4-Digit LED, 4 buttons |

### PHYSICAL

|                             |   |
|-----------------------------|---|
| Width x Height x Depth      | inches: 10.24 x 7.36 x 3.54<br>mm: 260 x 160 x 90 |
| Weight                      | lbs: 6.4<br>kg: 2.9                               |
| Number of Led Output Zones  | 1   |
| Maximum Load Per Zone       | 1x ArcSource 24MC Submersible                     |
| Total Load                  | 1x ArcSource 24MC Submersible                     |
| Editable Programs           | 3 (Up to 40 Steps Each)                           |
| Max Cable Length            | 50m (full mode), 100m (eco mode)                  |
| LED Output Connection       | Connection Block                                  |
| DMX Connection              | Connection Block                                  |
| Power Connection:           | Connection Block                                  |
| Mounting Method             | 4 Mounting Holes                                  |
| Protection Factor           | IP66 / Suitable for wet location                  |
| IK Rating                   | IK10  |
| Cooling System              | Convection  |
| Operating Temperature Range | -20°C / +40°C (-4°F / +104°F)                     |

### CERTIFICATION

Listings ETL / cETL, CE, RoHS

### ACCESSORIES

Gasket Cable Grommet M20 (included)

## DIMENSIONS mm [in]:

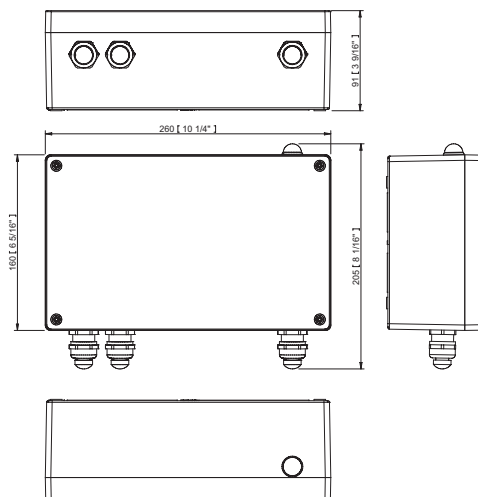




Photo credit: SSP Design

**Wärmespeicher - Hildesheim, Germany**



**O2 Guildhall - Southampton, The United Kingdom**

Photo credit: Simon Williams / Live Nation (O2 Guildhall Southampton)



# ArcControl

ArcControl™ SU ▶ Pg. 94



ArcControl™ DU ▶ Pg. 95



ArcControl™ 1 ▶ Pg. 96



# ArcControl™ SU

ArcControl™ SU brings the dimmer switch into the 21<sup>st</sup> century. The simple glass touch interface is backed by world leading lighting control software which allows creative programming for all types of applications. With 8 built-in scenes and up to 36 dynamic or static scenes, the user can precisely control dramatic scenes. Programmable via PC/Mac and connected directly via micro USB the ArcControl™ SU™ allows the user complete flexibility. The sleek glass touch interface is both aesthetically pleasing as well as intuitive and easy to use. Via DMX, ArcControl™ SU is ready to connect to all Anolis systems, keeping the user in complete control. Applications include Architectural, Retail, Domestic, Leisure and Entertainment.



## TECHNICAL SPECIFICATIONS:

### ELECTRICAL

Input Voltage 5-10V DC 0.6A

### CONTROL

Interface Protocol DMX512  
 Operation Modes Stand-Alone  
 Display 12 Touch Sensitive Buttons

### PHYSICAL

Width x Height x Depth  
 inch: 5.75 x 4.17 x 0.39  
 mm: 146 x 106 x 10mm  
 Weight  
 lbs: 0.44  
 kg: 0.2

### SPECIFICATION

PC Requirement Windows, Mac  
 Software On USB  
 Memory Built-in flash  
 Face Colour Black  
 Mounting Wall Mount  
 Connections 8 Dry Contact Trigger Ports, Micro USB  
 DMX Channels 512 Max.  
 Built-In Programs 8 Scenes and 170 RGB Fixtures  
 Up To 36 Dynamic or Static Scenes  
 Compatibility Compatible With Any DMX Fixture or DMX Led Driver  
 Effect Color Changing Effects, Specific Colors  
 Protection Factor IP20  
 Operating Ambient Temperature 32°F / +113°F (0°C / +45°C)

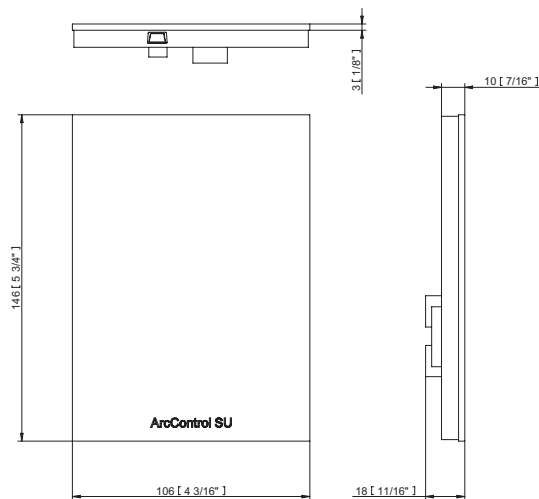
### CERTIFICATION

Listings CE, RoHS

### ACCESSORIES

5-10v AC/DC Power Supply

## DIMENSIONS mm [in]:





# ArcControl DU™

ArcControl™ DU brings the dimmer switch into the 21<sup>st</sup> century. The simple glass touch interface is backed by world leading lighting control software which allows creative programming for all types of applications. Multi-room control with 500 scenes and 10 zones allow the user to precisely control dramatic scenes. Programmable via PC/Mac and connected directly via micro USB/Ethernet, the ArcControl™ DU allows the user complete flexibility. The sleek glass touch interface is both aesthetically pleasing as well as intuitive and easy to use. Via DMX, ArcControl™ DU is ready to connect to all Anolis systems, keeping the user in complete control. Applications include Architectural, Retail, Domestic, Leisure and Entertainment.



## TECHNICAL SPECIFICATIONS:

### ELECTRICAL

Input Voltage 6V DC 0.6A

### CONTROL

Interface Protocol DMX512 (x2)  
Display Graphical Color Display, Touch Sensitive Buttons

### PHYSICAL

Width x Height x Depth  
inch: 5.75 x 4.17 x 0.39  
mm: 146 x 106 x 10mm  
Weight  
lbs: 0.55  
kg: 0.247

### SPECIFICATION

PC Requirement Windows, Mac  
Software On USB  
Memory MicroSD Card  
Face Colour Black, White  
Mounting Wall Mount  
Connections 8 Dry Contact Ports, Micro USB, Ethernet, RS232, Clock  
DMX Channels 1024 Max.  
Built-In Programs Up To 500 Scenes, 10 Zones  
Compatibility Compatible With Any DMX Fixture or DMX Led Driver  
Effect Color Changing Effects, Specific Colors, Clock And Calendar  
Protection Factor IP20  
Operating Ambient Temperature 32°F / +113°F (0°C / +45°C)

### CERTIFICATION

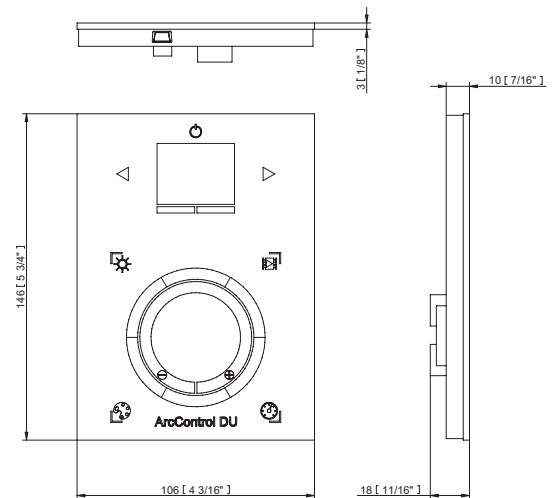
Listings ETL / cETL, CE, RoHS

### ACCESSORIES

6v AC/DC Power Supply



## DIMENSIONS mm [in]:



# ArcControl™ 1

The ArcControl™ 1 is a standard wall mounted playback 512 DMX controller. The compact component size of the electronic heart of the ArcControl™ 1 means it can be mounted to any standard back box UK/European or USA. LED back-lit front panel with 12 buttons offers adaptable 7 colours colour mixing, dimmer control, and together with 2 built-in programs it provides an easy and convenient controlling option for architectural and small venue installations. Ideal for multipoint controlling environments such as hotel rooms, hallways or stairways.



## TECHNICAL SPECIFICATIONS:

### ELECTRICAL

Input Voltage 12V DC 15mA ( From ArcPower Drivers)  
Power Supply ArcPower Range (Except Rackmount 384)

### CONTROL

Interface Protocol USITT, DMX 512, Dynet  
Control 12 Buttons  
Pre-Set Colours 7 - Red, Green, Blue, Cyan, Magenta, Yellow, White  
Light Intensity Control

### PHYSICAL

Width x Height x Depth Inches: 3.17 x 3.17 x 0.72  
mm: 80.5 x 80.5 x 18.4  
Weight lbs: 0.44  
kg: 0.2

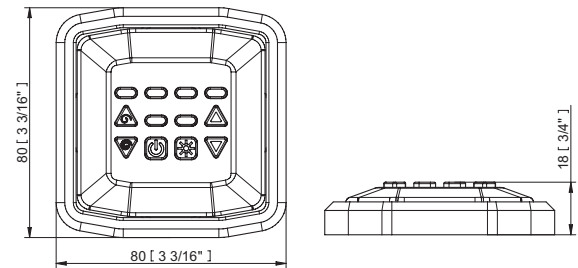
### SPECIFICATION

Power Connection Self Locking Terminals  
DMX Connection Self Locking Terminals  
Built In Programs 2  
Mounting KU 68 Universal Box

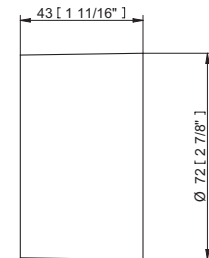
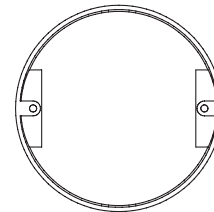
### CERTIFICATION

Listings CE, RoHS

## DIMENSIONS mm [in]:



Universal Box KU 68





Sandton City Extension - Johannesburg, South Africa

# Accessories

## Divine 160 RGBW



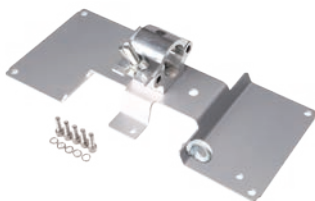
**10980357**  
Top Hat Divine 160 silver



**10980358**  
Half Top Hat Divine 160 silver



**10980359**  
Wire Guard/Anti-Glare Divine 160 silver



**10980363**  
C-Clamp Adaptor Divine silver



**10980378**  
Barn door Module for Divine 160, silver



**10980371**  
Set of Rubber Feet silver

## Divine 60 UV



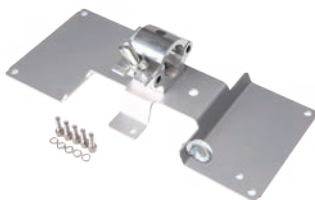
**10980360**  
Top Hat Divine 60 UV silver



**10980361**  
Half Top Hat Divine 60 UV silver



**10980362**  
Wire Guard/Anti-Glare Divine 60 UV silver



**10980363**  
C-Clamp Adaptor Divine silver



**10980371**  
Set of Rubber Feet silver



**10980344**  
Adaptor incl. Black Glass for Divine UV, silver

# Accessories

## ArcPad Xtreme:



**1098 0081**  
Barn Door Module for ArcPad Xtreme  
(2 pcs in 1 box)



**1098 0087**  
Top Hat ArcPad Xtreme silver  
(2 pcs in 1 box)



**1098 0088**  
Half Top Hat ArcPad Xtreme silver  
(2 pcs in 1 box)

## ArcPad 94 Integral:



**1098 0097**  
Barn Door Module for ArcPad 94 Integral

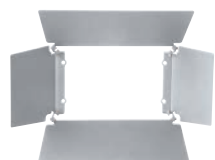


**1098 0098**  
Top Hat Module for ArcPad 94 Integral



**1098 0099**  
Half Top Hat Module for ArcPad 94 Integral

## ArcSource 96 Integral:



**1098 0094**  
Barn Door Module for ArcSource 96



**1098 0079**  
Top Hat ArcSource 96 silver



**1098 0080**  
Half Top Hat ArcSource 96 silver



**1098 0070**  
Mounting plate ArcSource 96 Integral silver

## ArcPad 48 / Integral:



**1098 0090**  
Barn Door Module for ArcPad 48



**1098 0139**  
Top Hat ArcPad 48 /Integral



**1098 0140**  
Half Top Hat ArcPad 48 /Integral



# Accessories

## ArcSource Outdoor 16MC / Integral / Pixel - ArcSource Outdoor 24MC / Integral:



**1098 0290**  
Top Hat ArcSource Outdoor 16MC



**1098 0291**  
Half Top Hat ArcSource Outdoor 16MC



**1098 0279**  
Floor Stand ArcSource Outdoor 16MC



**1098 0171**  
Top Hat ArcSource Outdoor 24MC



**1098 0172**  
Half Top Hat ArcSource Outdoor 24MC



**1098 0175**  
Floor Stand ArcSource Outdoor 24MC



**1098 0333**  
Land Spike for ASD 16/24MC



**1098 0329**  
Tenon Adaptor for ASD 16/24MC, 64-80 mm



**1098 0330**  
Tenon Adaptor for ASD 16/24MC, 80-106 mm



**1098 0325**  
Pole Clamp for ASD 16/24MC, 63-80 mm



**1098 0326**  
Pole Clamp for ASD 16/24MC, 80-105 mm

# Accessories

## ArcSource Outdoor 48MC / Integral:



**1098 0173**  
Top Hat ArcSource Outdoor 48MC



**1098 0174**  
Half Top Hat ArcSource Outdoor 48MC



**1098 0176**  
Floor Stand ArcSource Outdoor 48MC

## ArcPad Zoom 48MC:



**1098 0235**  
Floor Stand ArcPad Zoom 48MC



**1098 0274**  
Top Hat ArcPad Zoom 48MC



**10980278**  
Half Top Hat ArcPad Zoom 48MC

## ArcSource Outdoor 4MC, ArcSource Out 4MC Pixel:

**1098 0180** Land Spike 1 ASD 4MC 500mm

**1098 0181** Land Spike 2 ASD 4MC 500mm

**1098 0183** Land Spike 3 ASD 4MC 500mm

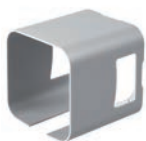
**1098 0178** Land Spike 1 ASD 4MC 100mm

**1098 0179** Land Spike 2 ASD 4MC 100mm



# Accessories

## ArcSource Outdoor 4MC, ArcSource Out 4MC Pixel:



**1098 0273** Top Hat  
ArcSource Outdoor 4MC



**1098 0253** Half Top Hat  
ArcSource Outdoor 4MC



**1098 0267** Pipe Clamp  
for ArcSource Outdoor 4MC, fits 1/2 inch pipe



**1098 0294** Floor Stand  
for Land Spike (flat stand only)



**1098 0258** Adaptor Stand 10 cm  
for ASD 4MC



**1098 0410** Twin Wall Cover  
for ASD 4 MC, flat

## Ambiane RGBW, Ambiane TW, TD, PW



**10980386**  
Anti-Glare Ring Ambiane



**10980387**  
Diffuser GlassFrosted IP54 Ambiane



**10980388**  
Adaptor Ring 230-255mm Ambiane

## ArcSource Out 4MC Pixel, ArcDot, ArcDot Flash:



**1305 1562** Connector  
CGRBB-03BMMMA-SL8001 (Male)



**1305 1563** Connector  
CGRBB-03BFFA-SL8001 (Female)



**1305 1564** Connector  
T- CGRBA (3-pin)



**1006 2330**  
Terminator Active for ArcDot

# Accessories

## ArcDot, ArcDot Flash:



**1006 2331**  
Terminator Passive for ArcDot

- 1305 2264** Cable Connection ArcDot 1m
- 1305 2179** Cable Connection ArcDot 5m
- 1305 2105** Cable Connection ArcDot 10m
- ...other lengths on request



## ArcSource 1MC, ArcSource Outdoor 4MC, 24MC, 48MC, ArcLine Outdoor /Optic, ArcLine Mini:

- 1305 1966** Extension cable CGR8-F/RJ45, L0,25m
- 1305 1630** Extension cable CGR8-F/RJ45, L3m
- 1305 1631** Extension cable CGR8-F/RJ45, L7m
- 1305 1682** Extension cable CGR8-F/RJ45, L15m
- 1305 1829** Extension cable CGR8-F/RJ45, L20m
- ...other lengths on request



- 1305 2187** Extension cable CGR8 F/M, L1m
- 1305 1630** Extension cable CGR8 F/M, L3m
- 1305 2084** Extension cable CGR8 F/M, L7m
- 1305 2059** Extension cable CGR8 F/M, L10m
- 1305 2156** Extension cable CGR8 F/M, L20m
- ...other lengths on request



**1305 1601**  
Connector CGRBDU-08BFFA-SL8001



**1305 1602**  
Connector CGRBDU-08BMMA-SL8001



**1305 1938**  
T-Connector Chogori, 8-pin, Screw



**1305 1950**  
Connector Waterproof cap (fits 1305 1601)



**1305 2451**  
Connector Waterproof cap (fits 1305 1602)

## ArLine Indoor, ArcSource 4MC, ArcSource 12:



**1305 0690**  
Cable splitter 1 to 2, RJ45 (serial conn.)



**1305 0691**  
Cable joint 1-1, RJ45

# Accessories

## ArcPar S1, ArcPar SB1:



**1098 0243**  
Optional Diffuser 40°  
for ArcPar S1, SB1



**1098 0244**  
Optional Diffuser 50°  
for ArcPar S1, SB1



**1098 0245**  
Optional Diffuser 62°x46°  
for ArcPar S1, SB1



**1098 0246**  
Optional Diffuser 70°x48°  
for ArcPar S1, SB1



**1098 0206** Barn door  
for ArcPar S1, SB1 (white)  
aperture 157x157mm

## ArcPar S1:



**1098 0222**  
Wireless CRMX white



**1305 1724**  
Mains Cable PowerCon  
In/Schuko, 2m



**1305 1725**  
Mains Cable PowerCon  
In/CEE 16A, 2m



**1305 1726**  
Mains Cable PowerCon  
In/CEE, 2m



**1305 1731**  
Mains Cable PowerCon  
In/open ended, 2m

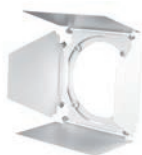


**1305 1727**  
Daisy Chain PowerCon  
In/Out EU, 2m



**1305 1728**  
Daisy Chain PowerCon  
In/Out US, 2m

## ArcPar 100:



**1098 0206**  
Barn door for ArcPar 100  
(white)



**1098 0205**  
Accessory frame  
adaptor for ArcPar 100  
(white)



**1098 0207**  
Gel Frame for ArcPar  
100 (white)



**1098 0222**  
ROBE Wireless CRMX  
white



# Accessories

## ArcPar 100:



**1098 0217**  
Diffuser 10° for ArcPar 100 (white)

**1098 0218**  
Diffuser 10° for ArcPar 100 6 pcs (white)



**1098 0213**  
Diffuser 20° for ArcPar 100 (white)

**1098 0214**  
Diffuser 20° for ArcPar 100 6 pcs (white)



**1098 0215**  
Diffuser 40° for ArcPar 100 (white)

**1098 0216**  
Diffuser 40° for ArcPar 100 6 pcs (white)

## ArcPix:



**1006 2551** Termination Box ArcPix



**1006 2550** Connection Box ArcPix

## ArcCove:



**1305 1982** Cable patch  
ArcCove 10cm



**1305 2029** Cable patch ArcCove 30cm  
...other lengths on request

## ArcLink 3 /Optic, ArcLink 4 /Optic:



**1305 0860**  
Connector RJ45 / Termination plug  
ArcLink 3, grey



**1305 0983**  
Connector RJ45 / Termination plug  
ArcLink 4, black



**1305 1116** Cable patch/10cm - ArcLink  
**1305 1139** Cable patch/20cm - ArcLink  
**1305 1140** Cable patch/30cm - ArcLink

## ArLine Outdoor / Optic / Double Outdoor:



**1098 0202**  
Shield for ArLine Outdoor 1200mm



**1098 0231**  
Shield for ArLine Outdoor 800mm



**1098 0232**  
Shield for ArLine Outdoor 600mm

# Anolis - Summary sheet of ArcPower™

| Type   | Maximum output current per one channel | Maximum load-total  | Zones  | Maximum load-per zone  | Control  | Maximum cable length  |     |
|--|--|---|--|--|--|---|-----|
| ArcPower   | 36                                     | 350mA   | 36LEDs/RGB 42LEDs/RGBW<br>10 multichips RGBW                               | 1  | 36LEDs/RGB 42LEDs/RGBW<br>10 multichips RGBW                               | DMX 512 / DyNet / RS232   | 80m |
|  | 72                                     | 350mA   | 72LEDs/RGB 84LEDs/RGBW<br>20 multichips RGBW                               | 2  | 36LEDs/RGB 42LEDs/RGBW<br>10 multichips RGBW                               | DMX 512 / DyNet / RS232   | 80m |
|  | 144                                    | 350mA   | 144LEDs/RGB 168LEDs/RGBW<br>40 multichips RGBW                             | 4  | 36LEDs/RGB 42LEDs/RGBW<br>10 multichips RGBW                               | DMX 512 / DyNet / RS232   | 80m |
|  | 360                                    | 350mA   | 360LEDs/RGB 420LEDs/RGBW<br>100 multichips RGBW                            | 10   | 36LEDs/RGB 42LEDs/RGBW<br>10 multichips RGBW                               | DMX 512 / DyNet / RS232   | 80m |
| ArcPower SmartWhite  | 36                                     | 350mA   | 36LEDs/white<br>10 multichips white  | 1  | 36LED's/white<br>10 multichips white                                       | DMX 512 / DyNet / RS232   | 80m |
|  | 72                                     | 350mA   | 72LEDs/white<br>20 multichips white  | 2  | 36LED's/white<br>10 multichips white                                       | DMX 512 / DyNet / RS232   | 80m |
|  | 144                                    | 350mA   | 144LEDs/white<br>40 multichips white                                       | 4  | 36LED's/white<br>10 multichips white                                       | DMX 512 / DyNet / RS232   | 80m |
|  | 360                                    | 350mA   | 360LEDs/white<br>100 multichips white                                      | 10   | 36LED's/white<br>10 multichips white                                       | DMX 512 / DyNet / RS232   | 80m |
| ArcPower-K2  | 36                                     | 700mA   | 36LEDs <sup>3W</sup> /RGB 42LEDs <sup>3W</sup> /RGBW<br>10 multichips RGBW | 1  | 36LEDs <sup>3W</sup> /RGB 42LEDs <sup>3W</sup> /RGBW<br>10 multichips RGBW | DMX 512 / DyNet / RS232   | 20m |
|  | 72                                     | 700mA   | 72LEDs <sup>3W</sup> /RGB 84LEDs <sup>3W</sup> /RGBW<br>20 multichips RGBW | 2  | 36LEDs <sup>3W</sup> /RGB 42LEDs <sup>3W</sup> /RGBW<br>10 multichips RGBW | DMX 512 / DyNet / RS232   | 20m |
| ArcPower-K2, SmartWhite                                      | 36                                     | 700mA   | 36LEDs <sup>3W</sup> /white<br>10 multichips white                         | 1  | 36LEDs <sup>3W</sup> /white<br>10 multichips white                         | DMX 512 / DyNet / RS232   | 20m |
|  | 72                                     | 700mA   | 72LEDs <sup>3W</sup> /white<br>20 multichips white                         | 2  | 36LEDs <sup>3W</sup> /white<br>10 multichips white                         | DMX 512 / DyNet / RS232   | 20m |
| ArcPower 16x6  | 350mA                                  | 16x6LEDs RGB  | 16   | 6LEDs RGB  | DMX 512  | max 20m per zone, total max 80m on zone 1-8 and max 80m on 9-16 |     |
|  |  | 12x8LEDs RGBW, 12x2 multichips RGBW                                 | 12   | 8LEDs RGBW, 2 multichips RGBW                                      |  |   |     |
| ArcPower Rack Unit   | 350mA                                  | 288LED's/RGB 384LED's/RGBW  | 8  | 36LED's/RGB 48LED's/RGBW   | DMX 512-RDM<br>(remote device management)<br>/ DyNet / ArtNet / RS232      | 80m   |     |
|  | 700mA                                  | 288LED's <sup>3W</sup> /RGB 384LED's <sup>3W</sup> /RGBW            | 8  | 36LED's <sup>3W</sup> /RGB 48LED's <sup>3W</sup> /RGBW             |  | 20m   |     |
| ArcPower 48<br>(for ArcPad 48 only)                          | 420mA-Red 700mA-GBW                    | 48LED's <sup>3W</sup>   | 1  | 48LED's <sup>3W</sup>  | DMX 512 / RS232  | 40m   |     |
| ArcPower 24 Outdoor  | 350mA                                  | 24LEDs (max 6LEDs per colour<br>6 multichips RGBW)                  | 1  | 24LEDs (max 6LEDs per colour)<br>6 multichips RGBW                 | DMX 512  | 80m   |     |
|  | 700mA                                  | 24LEDs <sup>3W</sup> (max 6LEDs per colour<br>6 multichips RGBW)    | 1  | 24LEDs <sup>3W</sup> (max 6LEDs per colour)<br>6 multichips RGBW   | DMX 512  | 20m   |     |
| ArcPower 48 Outdoor  | 350mA                                  | 48LEDs (max 12LEDs per colour)<br>12 multichips RGBW                | 1  | 48LEDs (max 12LEDs per colour)<br>12 multichips RGBW               | DMX 512  | 80m   |     |
|  | 700mA                                  | 48LEDs <sup>3W</sup> (max 12LEDs per colour)<br>12 multichips RGBW  | 12   | 48LEDs <sup>3W</sup> (max 12LEDs per colour)<br>12 multichips RGBW | DMX 512  | 20m   |     |
| ArcPower 192 Outdoor   | 350mA                                  | 192LEDs (max 12LEDs per colour)<br>48 multichips RGBW               | 4  | 48LEDs (max 12LEDs per colour)<br>12 multichips RGBW               | DMX 512  | 80m   |     |
|  | 700mA                                  | 192LEDs <sup>3W</sup> (max 12LEDs per colour)<br>48 multichips RGBW | 4  | 48LEDs <sup>3W</sup> (max 12LEDs per colour)<br>12 multichips RGBW | DMX 512  | 20m   |     |
| ArcPower 24MC (24V)<br>(for ArcSource 24MC Submersible only) | 350mA                                  | 6 multichips RGBW   | 1  | 6 multichips RGBW  | DMX 512  | 100m  |     |
|  | 700mA                                  | 6 multichips RGBW   | 1  | 6 multichips RGBW  | DMX 512  | 50m   |     |

All information subject to change without notice. [\*] ETL listing is pending. Fixture currently at US listing laboratory.





**ANOLIS is an architectural division of ROBE**

**HQ:** Anolis, Hážovice 2090, 756 61 Rožnov pod Radhoštěm, Czech Republic

**Factory:** Anolis, Palackého 416, 757 01 Valašské Meziříčí, Czech Republic, Tel: +420 571 751 500, Fax: +420 571 626 337, E-mail: [info@anolis.eu](mailto:info@anolis.eu)

**North America:** Anolis Lighting, 12349 SW 53rd Street, Suite 202, Cooper City, Florida 33330, USA, Tel.: 1-844-426-6547, Email: [info@anolislighting.com](mailto:info@anolislighting.com)

**UK:** Anolis UK, 3 Spinney View, Stone Circle Road, Round Spinney Industrial Estate, NN3 8RF, Northampton, United Kingdom, Tel.: 01604 741000, Email: [info@anolis.co.uk](mailto:info@anolis.co.uk)

**France:** Anolis France | ZI Paris Nord 2 | Bâtiment Euler | 33, rue des Vanesses | 93420 Villepinte | Tel.: +33 1 48 63 84 81 | Fax: +33 1 48 63 84 87 | E-mail: [info@robelighting.fr](mailto:info@robelighting.fr)

**Germany:** Anolis Germany, Carl-Zeiss-Ring 2185737, Ismaning, Germany, Tel.: +49 89 9993 9090, Fax: +49 89 9993 9091, E-mail: [info@robelighting.de](mailto:info@robelighting.de)

**Asia and Pacific:** Anolis Asia Pacific, 12 New Industrial Road, #02-05 Morningstar Centre, S-536202, Singapore, Tel.: +65 6280 8558, Email: [asiapacific@anolis.eu](mailto:asiapacific@anolis.eu)

**Middle East:** Anolis Middle East, Al Asmawi Building DIP, Office Nbr 507 5<sup>th</sup> floor, Po Box: 391 898, Dubai, UAE, Tel.: +971 4 885 3223, Email: [middleeast@anolis.eu](mailto:middleeast@anolis.eu)

March 2018

[anolis.eu](http://anolis.eu) | [anolislighting.com](http://anolislighting.com)