

ArcSource Outdoor 16MC Integral™



Client: _____

Project: _____

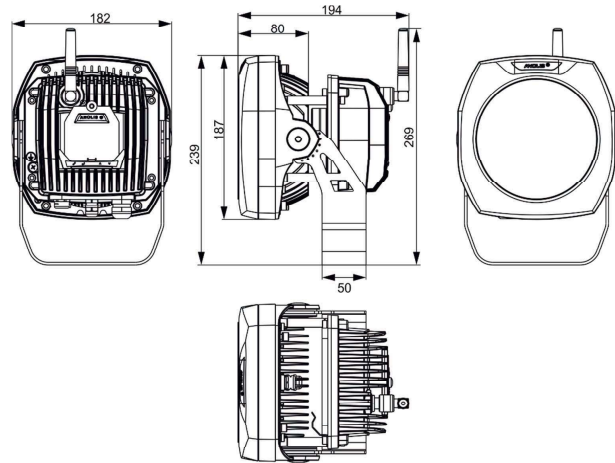
Specifier: _____

Type: _____ Qty: _____



FEATURES:

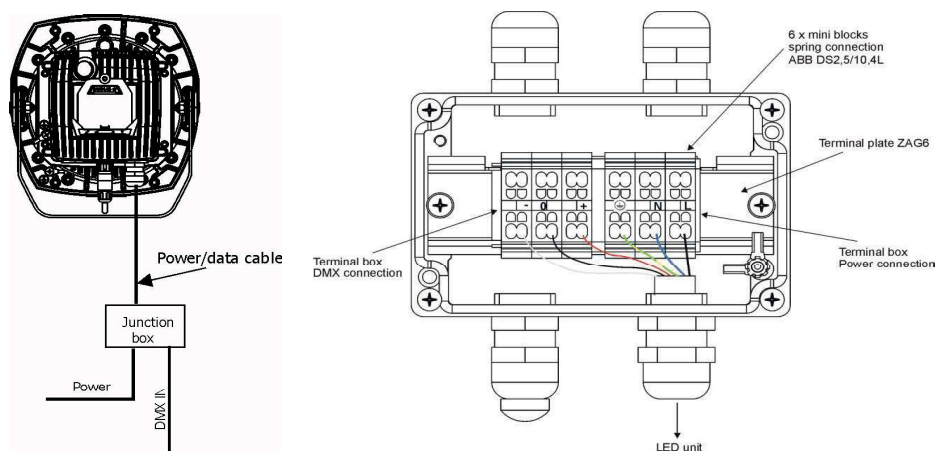
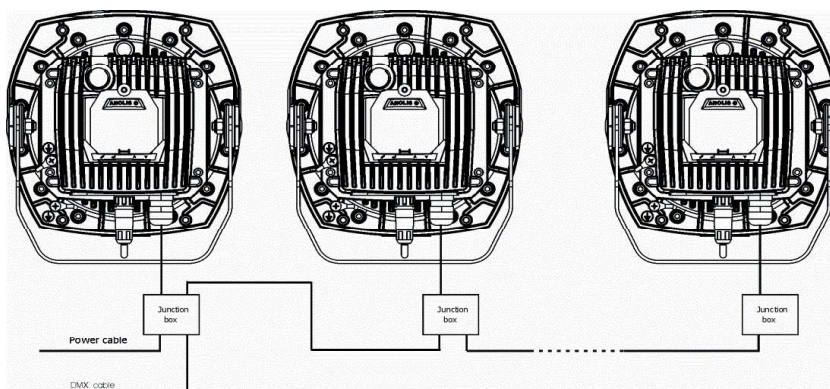
- Input Voltage: 48VDC
- Power consumption: 42W
- Light Source: 4 x High Power MC LED's
- Delivered Lumen: 1271 lm 7° @ 700mA
- Projected LED Life: 60,000 Hrs
- Housing: High Pressure Die-Cast Aluminium
Tempered Glass Cover
- Mounting Method: Yoke, Floor Stand (Optional)
- IP Rating: IP67
- Operating Ambient Temp: -20°C/+40°C (-4°F/+104°F)
- Certification: ETL / cETL, CE, RoHS
- 5 Year Warranty



How To Order							
GROUP	VARIANT	SIZE	COLOUR		OPTIC	FINISH	OPTIONS
1	2	3	4		5	6	7
ARC	SCE	INT	16	RGBW - Red, Green, Blue, White SW - Smart White PW - Pure White	7° 24° 34° 7°x42° 42°x7°	S - Silver B - Black W - White C - Custom	CUS - Custom MTP - Multiple CCL - Custom Cable Length
Example ARCSOURCE OUTDOOR 16MC RGBW 7 CUSTOM CUSTOM CABLE LENGTH							
ARC	SCE	OUT	16	RGBW	7	C	CCL

Colour temperature to be specified at time of order

Connection Scheme:



Product Specification:

Electrical	Input Voltage	100-240 VAC, 50/60 Hz (CE), 120-277VAC 50/60 Hz (US)	
	Power Consumption	42w @ 230V +/-10%	
Optical	Light Source	4 x High Power MC LEDs	
		RGBW	W = CW - 6300K
		SW	2700K-7100K
		PW	36==6300K
	Colour Variant	RGBW, Pure White, Smart White	
	Beam Angle	7°, 24°, 34°, 42°x 7°, 7°x 42°	
	Projected Lumen Maintenance	60,000 hrs (L70@ 25°C / 77°F)	
Control	Interface Protocol	DMX 512	
	Wireless DMX (Optional Accessory)	Lumen Radio CRMX Technology	
	Control System	Anolis Lighting Controls or any Third Party DMX512 Controllers	
	Power Supply	Integral	
	Stand Alone Control	Yes	
Physical	Width x Height x Depth	Inches	7 x 9.4 x 7.6
		mm	179 x 239 x 194
	Weight	lbs	12.6
		kg	5.7
	Housing	High Pressure Die-Cast Aluminium Body Tempered Glass	
	Fixture Cable and Connections	Li9YCHY - 3xAWG16+1 (2xAWG24) + Junction Box	
	Mounting Method	Yoke, Floor Stand (Optional)	
	Adjustability	+35 / -90°	
	IP Rating	IP67 (IP66 Junction Box)	
	IK Rating	IK06	
	Cooling System	Convection	
	Operating Ambient Temperature	-20°C / +40°C (-4°F / +104°F)	
	Operating Temperature	+80°C @ Ambient +40°C (+176°F @ Ambient +104°F)	
Certification	Listings	ETL / cETL, CE, RoHS	

Beam angles may vary depending on colour variant, please see photometric files for details

Subject to change without notice - please contact Anolis for clarification

Accessories	Description
	Junction Box (Included)
	Gasket Cable Grommet M20 (Included)
	Top Hat
	Half top Hat
	Floor Stand

