

ArcSource Outdoor 16MC tm



Client: _____

Project: _____

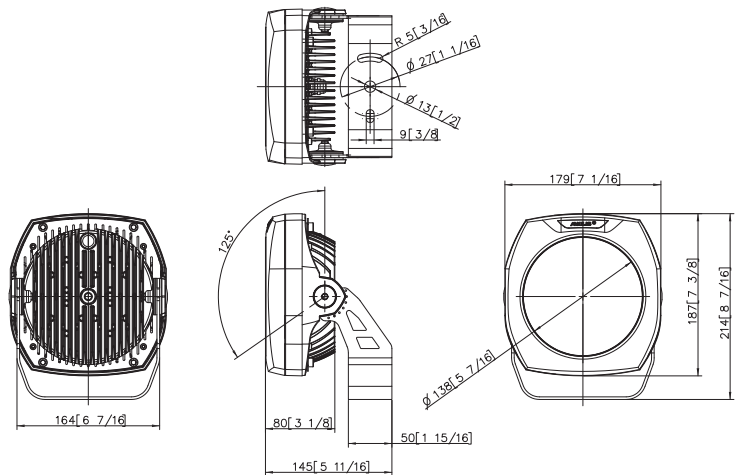
Specifier: _____

Type: _____ Qty: _____



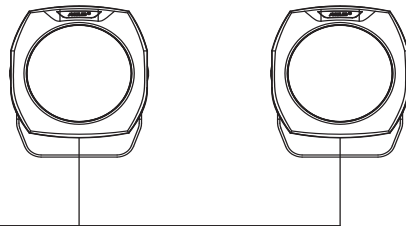
FEATURES:

- Input Voltage: 48VDC
- Power consumption: 36W @ 700mA
- Light Source: 4 x 15W MC LED's
- Delivered Lumen: 1951lm 11°
- Projected LED Life: 60,000 Hrs
- Housing: High Pressure Die-Cast Aluminium
Tempered Glass Cover
- Mounting Method: Yoke, Floor Stand (Optional)
- IP Rating: IP67
- Operating Ambient Temp: -20°C/+40°C (-4°F/+104°F)
- Certification: ETL / cETL, CE, RoHS
- 5 Year Warranty

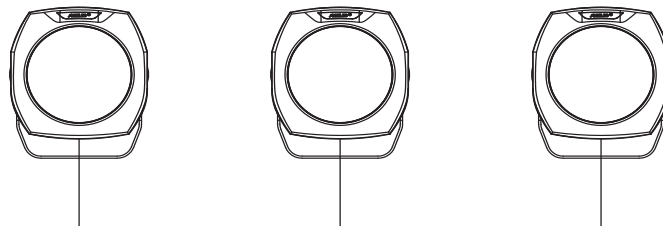


How To Order							
GROUP	VARIANT	SIZE	COLOUR		OPTIC	FINISH	OPTIONS
1	2	3	4		5	6	7
ARC	SCE	OUT	16	RGBW - Red, Green, Blue, White RGBA - Red, Green, Blue, Amber SW - Smart White PW - Pure White	7° 24° 34° 7°x42° 42°x7°	S - Silver B - Black W - White C - Custom	CUS - Custom MTP - Multiple CCL - Custom Cable Length
Example	ARCSOURCE OUTDOOR 16MC RGBW 7 CUSTOM CUSTOM CABLE LENGTH						
ARC	SCE	OUT	16	RGBW	7	C	CCL

Connection Scheme:



ArcPower
Output offering 36 LEDs
10 Multi Chips

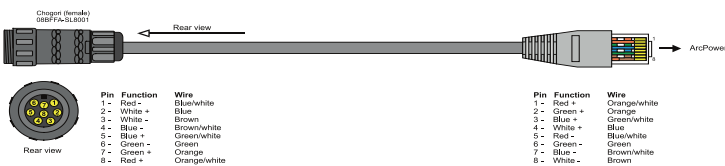


ArcPower
Output offering 48 LEDs
12 Multi Chips

Adapter cable Chogori-Chogori (it is not a standard part of delivery)



Adapter cable Chogori-RJ45 (it is not a standard part of delivery)



Product Specification:

Electrical	Input Voltage		48V DC (CE) 30V (US)
	Power Consumption		40W +/- 10%
Optical	Light Source		4 x 15W Multi-Chip LEDs
		RGBW	W= CW - 6300K
		RGBA	
		SW	2700K-7100K
		PW	6300K
	LED Channels		Red, Green, Blue, White, Pure White, Smart White
Beam Angle		7°, 24°, 34°, 7°x42°, 42°x7°	
Projected Lumen Maintenance		50,000 hrs (L70@ 25°C / 77°F)	
Control	Wireless DMX (Optional Accessory)		N/A
	Control System		Anolis Lighting Controls or any Third Party DMX512 Controllers
	Power Supply		ArcPower Range
	Stand Alone Control		N/A
Physical	Width x Height x Depth	Inches	7.2 x 8.43 x 5.71
		mm	182 x 214 x 145
	Weight	lbs	5.5
		kg	2.5
	Housing		High Pressure Die-Cast Aluminium Body Tempered Glass
	Fixture Cable and Connections		LIYY 8xAWG22 - 0.5m Long (1.64ft) - Chogori IP68 Connector
	Fixing Method		Stirrup / Floor Stand Optional
	Adjustability		+35 / -90°
	IP Rating		IP67
	IK Rating		IK06
	Cooling System		Convection
	Operating Ambient Temperature		-20°C / +45°C (-4°F / +113°F)
	Operating Temperature		+65°C @ Ambient +40°C (+149°F @ Ambient +104°F)
	Certification	Listings	

Subject to change without notice - please contact Anolis for clarification

Accessories	Description
	Top Hat (Optional)
	Half top Hat (Optional)
	Floor Stand (Optional)

