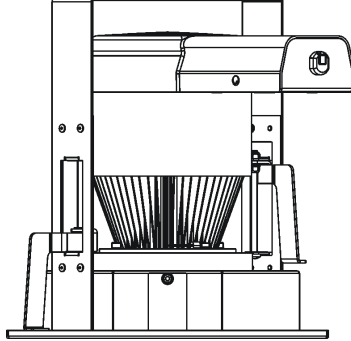


User instructions

ArcSource 140 COB Recessed CE

The lighting unit generates light by means of high power LED multichip. The product was designed for installation to a lower ceiling and is intended for indoor use only.



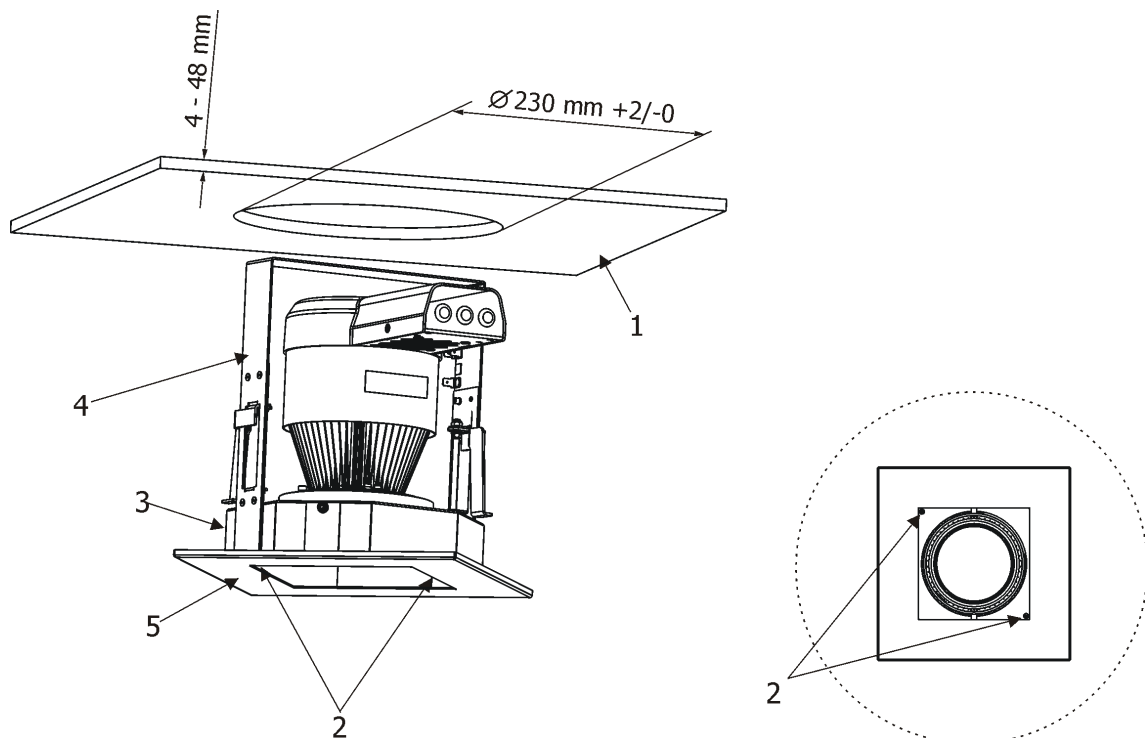
1. Attention

- Do not install the lighting unit near high inflammable liquids or materials.
- Do not allow anything to rest on the lighting unit.
- Do not use the lighting unit near high humidity or water or expose to the rain.
- Do not install the lighting unit near the naked flames.
- Do not install the lighting unit in dirty, dusty or badly ventilated location.
- Sufficient air accessing to the housing of the unit has to be ensured, there must not be any heat or anti-noise insulation around 0.6m x 0.6m around the unit (non-IC rated fixture).**

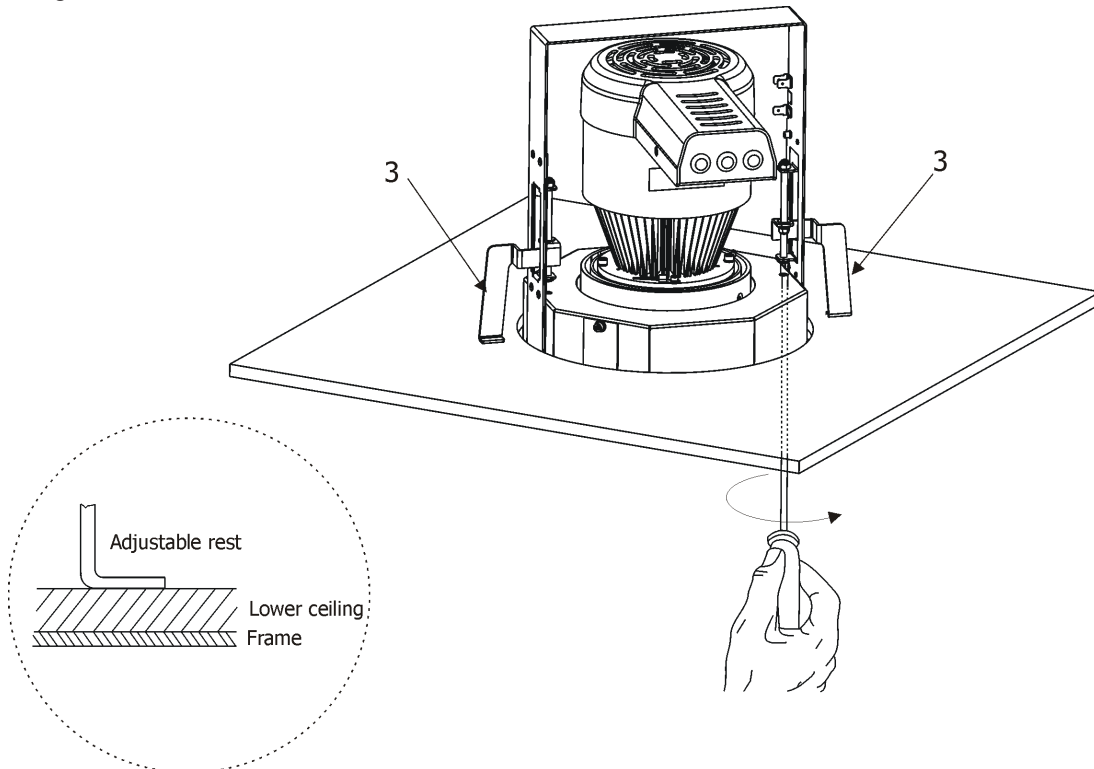
CAUTION!
Avoid looking directly into the LED light beam at close range!

2. Installation

1. Prepare a circular opening in the lower ceiling (1) as shown at the picture below.
2. Insert the ArcSource 140 COB Recessed into the opening. Both adjustable rests (3) must be turned at bracket (4) position to pass them through the aperture.



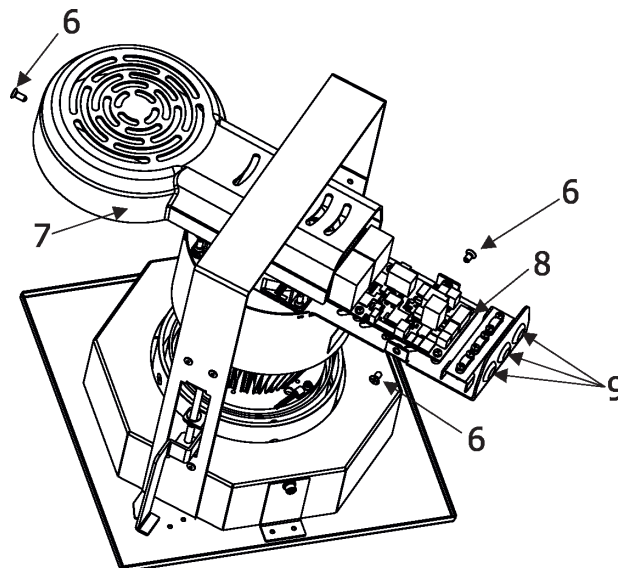
3. Turn adjustable rests (3) towards the lower ceiling (1).
4. Pass a cross-point screwdriver through aperture (2) and a screw (clockwise) the adjustable rest (3) until it firmly supports against the lower ceiling. Repeat this adjustment for second adjustable rest. Now the lower ceiling (1) is "squeezed" between adjustable rest (3) and frame (5) of the ArcSource 140 Recessed COB.
5. The light head can be tilted 15° from a vertical axis.



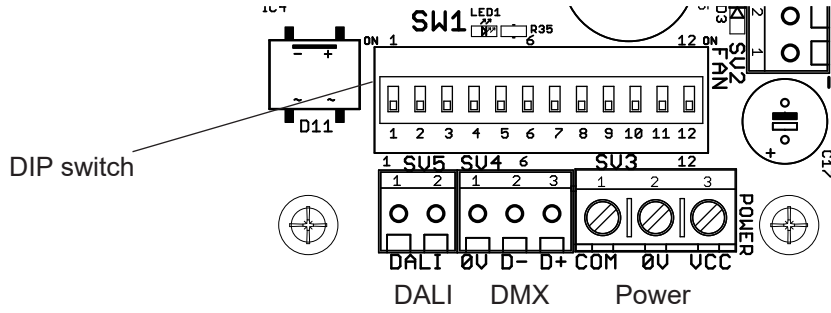
6. Connect cables to the ArcSource 140 COB Recessed.

3. ArcSource 140 COB Recessed connection

To connect needed cables to the fixture, unscrew three screws (6) from the plastic cover (7).



Connect a cable to the suitable connection block (8). To pass the cable through the cable gland (9), make an opening in the blank cable gland (9).



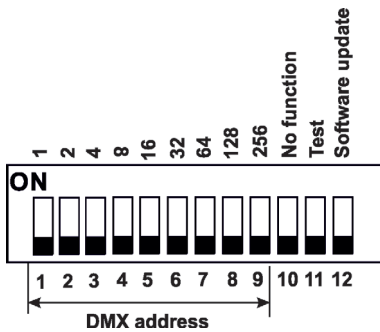
4. DMX and DALI address setting and control

The fixture can be controlled by one of the following method: DMX 512

- DALI
- ArcPixel Power CE
- (or ArcZone DRS Pixel CE)

The DIP switch, located next to the connection blocks, allows to set a DMX address and also allows to switch the fixture to the update mode in case of software update.

DMX control



DIP 10 - No function

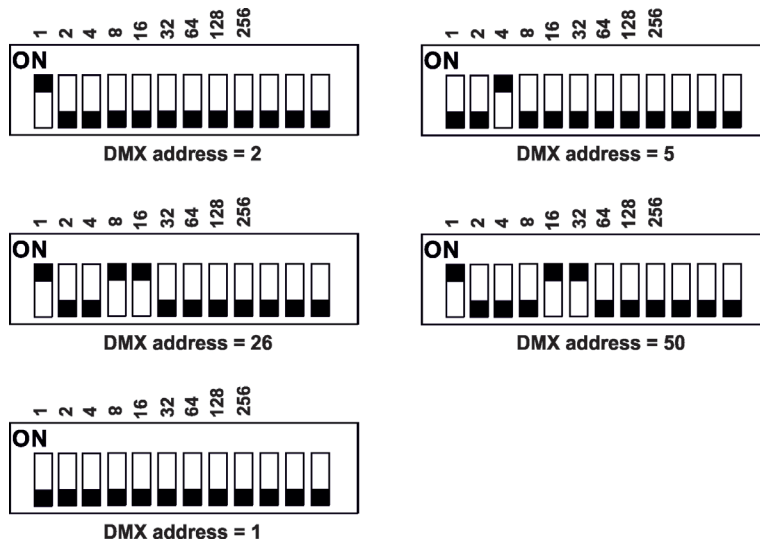
DIP 11 - ON=test (full light output)

DIP 12 - change from OFF to ON position switches the fixture to the update mode.

DMX control

The DMX start address, is the first channel used to receive instructions from the DMX controller. The address may be any channel from 1 to 512.

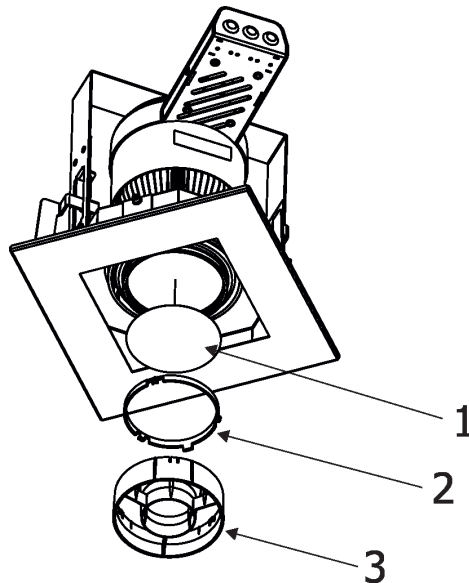
Example of DMX addresses:



6. Diffuser and Anti Glare Louvre installation

1. Insert the diffuser (1) on the front transparent cover of the fixture .
2. Snap the diffuser holder (2) in the housing of the front transparent cover.
3. Snap the Anti Glare Louvre (3) in the diffuser holder (2).

Design of the Anti Glare Louvre and diffuser holder allows another installation combinations:
Anti Glare Louvre only, Anti Glare Louvre+diffuser, diffuser holder+diffuser.



7. Technical specifications

Light source:	COB multichip
Available colour temperature:	2700K, 3000K, 5800K
Led life expectancy:	60,000 hours
Optical system available:	23°, 35°
Input voltage:	48V DC
Max. power consumption:	150W
Supported protocols:	USITT DMX 512, DALI
Control Channels:	1
Operating ambient temperature:	-20°C / +45°C (-4°F / +113°F)
Max. surface temperature:	60°C @ Ambient +45°C (+140°F @ Ambient +113°F)
Tilt adjustment of the light head:	15° (from vertical axis)
Weight:	4 kg (8.8 lb) including mounting trim kit
Mounting method:	mounting trim kit (Included)
Cooling:	axial fan
Protection against overheating:	yes, temperature feedback
Ingress protection:	IP 20
IC rating:	non-IC rated
Connection	
Power connection:	connection block Degson DG 306-5
DMX and DALI connection:	connection block Sauro MTB 028
Compatible drivers:	ArcPixel Power CE (only one ArcSource 140 COB Recessed CE per ArcDot output only) ArcZone DRS Pixel CE (only one ArcSource 140 COB Recessed per ArcZone DRS Pixel)
Diameter of mounting opening in lower ceiling:	230mm +2/-0mm

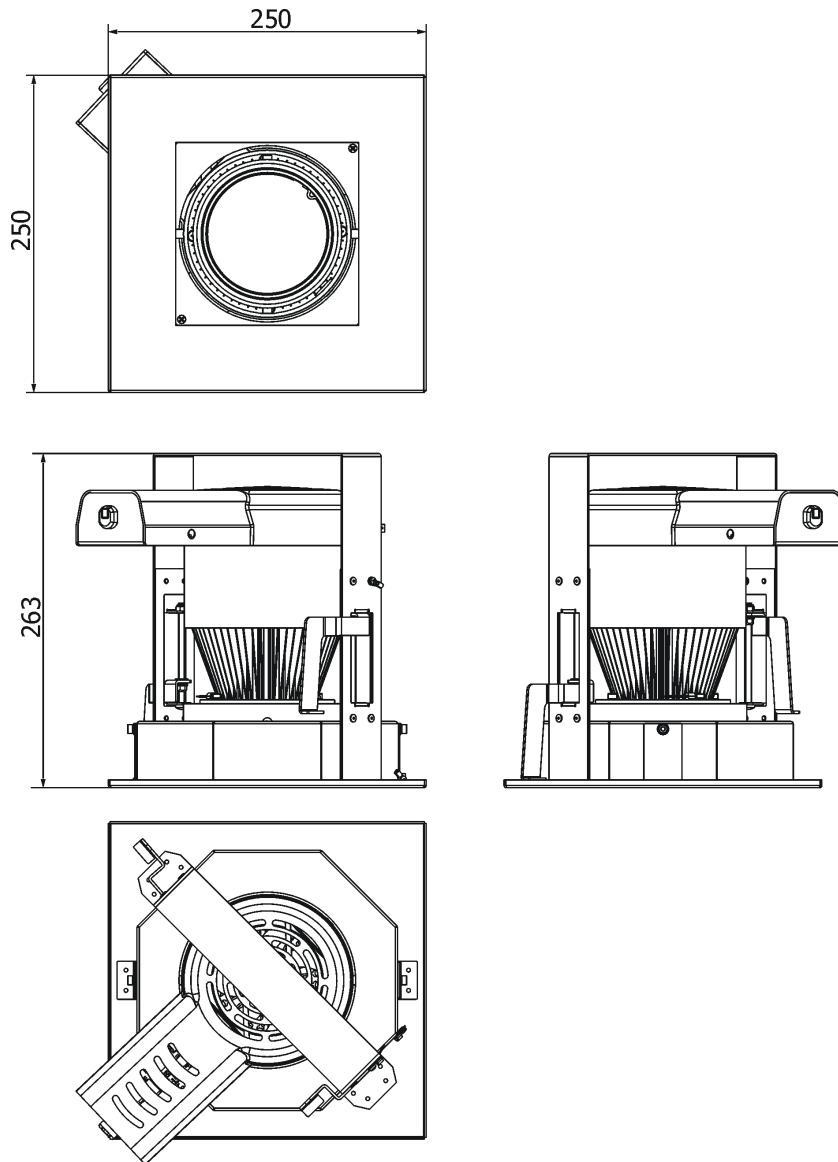
8. DMX chart

Version 1.1

Channel	Value	Function	Type of control
1	0-255	Dimmer (8 bit) Dimmer intensity from 0% to 100%	proportional

9. Dimensions

(All dimensions are in mm)



10. Optional Accessories

- (P/N 10980299) Anti Glare Louvre AS 140 COB black
- (P/N 10980300) Anti Glare Louvre AS 140 COB white
- (P/N 10980301) Anti Glare Louvre AS 140 COB silver
- (P/N 10980302) Diffuser Holder AS 140 COB black
- (P/N 10980303) Diffuser Holder AS 140 COB white
- (P/N 10980304) Diffuser Holder AS 140 COB silver
- (P/N 10980305) Diffuser 28° for AS 140 COB 23deg
- (P/N 10980306) Diffuser 40° for AS 140 COB 23deg
- (P/N 10980307) Diffuser 50° for AS 140 COB 23deg
- (P/N 10063036) ArcPower CLG-150-48 MW (for EU only)

11. Maintenance

Keep the fixture clean, especially Diffuser and the ribbed housing.

12. Software update

The following are required in order to update software:

- PC running Windows /XP/7/8/10 or Linux
- Software Uploader
- Robe Universal Interface

To update software in the fixture:

I. Installation of the Software Uploader.

1. The Software Uploader program is available from the Anolis web site at WWW.anolis.cz.
2. Download the software to your PC.

II. Fixture software updating.

1. Connect the Robe Universal Interface to the PC and to the DMX input of the fixture.
2. Switch the fixture to the update mode by moving the DIP 12 from the OFF position to the ON position.

Note: The Dip 12 must go from OFF to ON position to switch the fixture to the update mode.

3. Run the Software Uploader program. Select Robe Universal Interface from the COM ports and then click on the Connect button.

4. If the connection is OK, click on the "Start Uploading button" to start uploading. It will take several minutes to perform software update.

If the option "Incremental Update" is not checked, all processors will be updated (including processors with the same software version).

If you wish to update only later version of processors, check the "Incremental Update" box.

Avoid interrupting the process. Update status is displayed in the Info Box window.

When the update is finished, the line with the text "The fixture is successfully updated" will appear in this window.