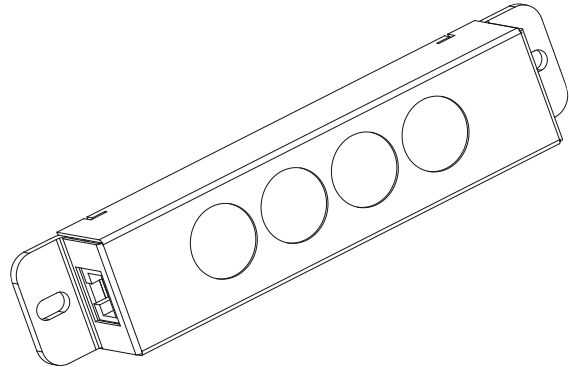
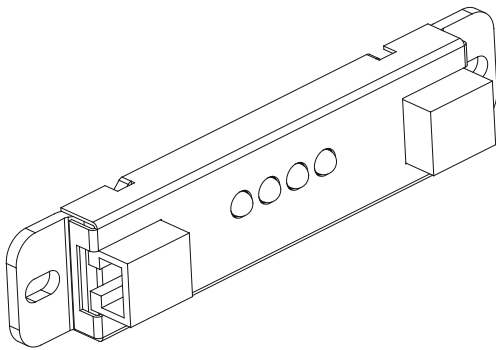


# User instructions

## ArcLink 4 / ArcLink Optic 4

The modules generate light by means of high power LEDs. The products were designed to use with the ArcPower drivers and for indoor use only.

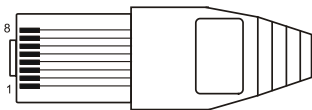


### 1. Attention:

- Do not install the module near high inflammable liquids or materials
- Do not allow anything to rest on the module
- Do not use the module near high humidity or water or expose to the rain
- Do not install the module near the naked flames
- Do not install the module in dirty, dusty or badly ventilated location

### 2. ArcLink 4 connections:

RJ45 termination plug:  
(View facing pins)



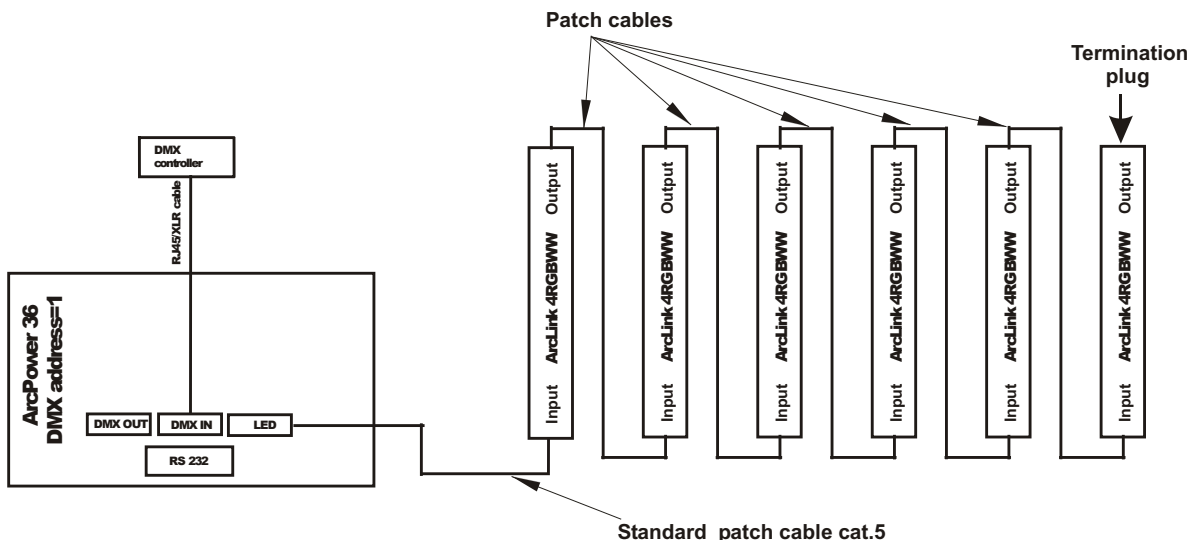
Jumpers:  
1-----8  
2-----7  
3-----6  
4-----5

Wiring of patch cables which connect ArcLink modules each other:



1-----8  
2-----7  
3-----6  
4-----5  
5-----4  
6-----3  
7-----2  
8-----1

### 3. Installation:



The ArcLink units should be connected to the ArcPower driver according to the LEDs colour variants (RGBW, WW, CW...).

See ArcPower 36/72/144/360 ( or ArcPower SmartWhite 36/144) user manuals for full details of mains power requirements and DMX operation.

Patch cable that connect ArcPower driver with the ArcLink 4 is a standard network cable category 5 used for connection between computer and HUB (wired 1:1, that is, pins with the same numbers are connected together).

Maximum number of ArcLink units connected the one LED output of the ArcPower driver is 10.

**Warning:** Every LED module has input and output connector and they cannot be interchanged. The termination plug has to be connected at last LED module-see picture above.

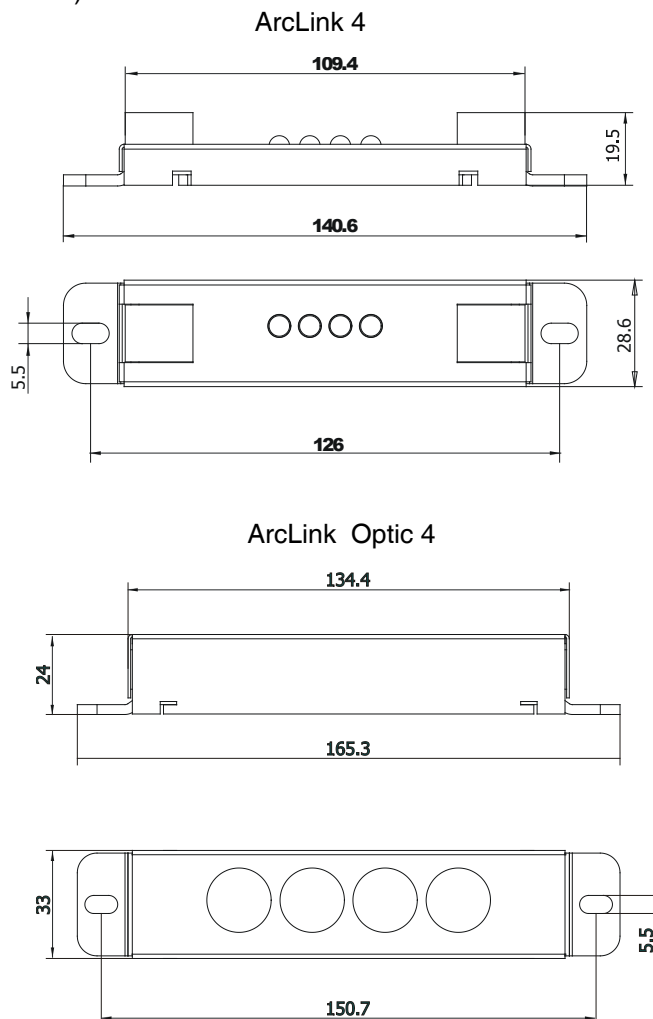
**CAUTION!**  
Avoid looking directly into the LED light beam at close range!

**4. Technical specifications:**

	<b>ArcLink 4</b>	<b>ArcLink Optic 4</b>
Max input current:	350 mA	350 mA
Maximum Power Consumption:	4.5 watts	4.5 watts
Power /Data Connection:	RJ45	RJ45
Comp. Power Supplies for RGBWW ,RGBCW variants:	ArcPower 36/72/144/360/16x6	ArcPower 36/72/144/360/16x6
Comp. Power Supplies for single colour variants:	ArcPowerSmartWhite 36/144	ArcPowerSmartWhite 36/144
Operating Ambient Temp. Range:	-20°C/+40°C	-20°C/+40°C
Operating Temperature:	+50°C@ ambient 25°C	+50°C@ ambient 25°C
Cooling System:	convection	convection
Led device:	ProLight Opto Proeon	ProLight Opto Proeon
Optical System:	142°x134°	10°, 22°, 30°, 34°, 46°x11°
Typical Lumen Maintenance:	70%@ 50,000 hours	70%@ 50,000 hours
Led Life Expectancy:	minimum 50,000 hours	minimum 50,000 hours
LED colour variants for both models:	R,G,B,A,CW,WW,RGBWW, RGBCW	
Weight:	0.05 kg	0.06 kg

**5. Dimensions:**

(All dimensions are in mm)



## 6. Accessories

- ArcLink 4 (Arclink Optic 4).....6 pcs
- ArcLink patch cable (No.13050859).....5 pcs
- RJ 45 termination plug for ArcLink 4(No.13050983).....1 pcs

## 7. Maintenance

### **Isolate from power before accessing.**

- Keep the module dry.
- From time to time visually inspect LED modules for any obvious faults.
- Periodically clean lenses. Use a moist, lint-free cloth. Never use alcohol or solvents.