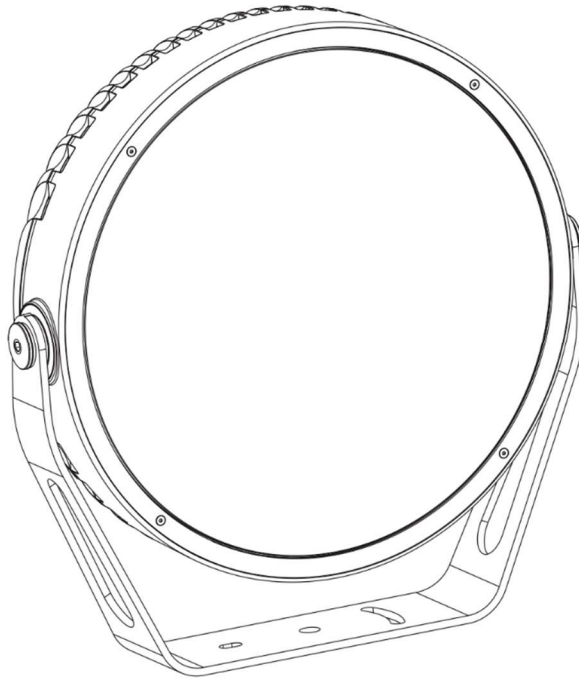


Calumma XL MC Calumma XL SC



QR code for user manual



USER MANUAL

Version 2.0

Table of contents

| | |
|---|----|
| 1. Safety instructions | 3 |
| 2. Fixture exterior view | 5 |
| 3. Installation | 5 |
| 3.1 Mounting the fixture | 5 |
| 3.2 Connection to mains | 8 |
| 3.3 Top hat installation | 10 |
| 3.4 Half top hat installation | 11 |
| 4. Control and connection options | 12 |
| 4.1 DMX or DALI | 12 |
| 4.2 Wireless DMX | 13 |
| 4.3 Wireless DMX to wire DMX | 14 |
| 4.4 Power On/Off | 15 |
| 4.5 DMX or Ethernet via E-box | 16 |
| 4.5.1 Booster box | 22 |
| 4.5.2 Booster box installation | 24 |
| 4.6 Example of Control panel in RDM manager | 26 |
| 5. Software update | 28 |
| 6. Technical specifications | 31 |
| 7. Cleaning and maintenance | 39 |
| 7.1 Disposing of the product | 39 |
| 8. ChangeLog | 39 |

**FOR YOUR OWN SAFETY, PLEASE READ THIS USER MANUAL CAREFULLY
BEFORE POWERING OR INSTALLING YOUR CALUMMA!
Save it for future reference.**

This device has left our premises in absolutely perfect condition. In order to maintain this condition and to ensure safe operation, it is absolutely necessary for the user to follow the safety instructions and warnings written in this manual.

The manufacturer will not accept liability for any resulting damages caused by the non-observance of this manual or any unauthorized modification to the device.

Unauthorized modification will void warranty.

1. Safety instructions

DANGEROUS VOLTAGE CONSTITUTING A RISK OF ELECTRIC SHOCK IS PRESENT WITHIN THIS UNIT!

This fixture should be operated only from the type of power source indicated on the marking label. If you are not sure of the type of power supplied, consult your authorized distributor or local power company.

Always disconnect the fixture from AC power before servicing or cleaning.

Make sure the power/data cable is not damaged by sharp edges.

Do not install the unit near an open flame.

Refer servicing to qualified service personnel.

This fixture falls under protection class I. Therefore this fixture has to be connected to a mains socket outlet with a protective earthing connection.

Do not connect this fixture to a dimmer pack.

LED light emission. Risk of eye injury. Do not look into the beam from a short distance without suitable protective eyewear. Do not look at LEDs with magnifiers or similar optical instruments that may concentrate the light output.

The fixture was designed for outdoor use. This fixture must not be used for underwater installation.

When choosing the installation spot, please make sure that the fixture is not exposed to extreme heat or dust.

Avoid using the unit in locations subject to possible impacts.

The fixture body never must be covered with cloth or other materials when the fixture is under operation.

Only operate the fixture after having checked that the housing is firmly closed and all screws are tightly fastened.

The fixture becomes hot during operation. Allow the fixture to cool approximately 30 minutes prior to servicing or maintenance.

Operate the fixture only after having familiarized yourself with its functions. Do not permit operation by persons not qualified to operate the fixture. Most damages are the result of unprofessional operation!

Please consider that unauthorized modifications on the fixture are forbidden due to safety reasons!

Please use the original packaging if the fixture is to be transported.

If this device will be operated in any way different to the one described in this manual, the product may suffer damages and the warranty becomes void. Furthermore, any other operation may lead to dangers like short-circuit, burns, electric shock etc.

The product (covers and cables) must not be exposed to a high frequency electromagnetic field higher than 3V/m.

Immunity of the equipment is designed according to the standard EN 55035 Electromagnetic compatibility of multimedia equipment - Immunity requirements

Emission of the equipment complies with the standard EN55032 Electromagnetic compatibility of multimedia equipment – Emission Requirements according to class B.

Contains FCC ID: 2A6PL-DMXRDMRW001

Contains IC: 29573-DMXRDMRW001

This device complies with part 15 of the FCC Rules. Operation is subject to the following two conditions: (1) This device may not cause harmful interference, and (2) this device must accept any interference received, including interference that may cause undesired operation.

Changes or modifications not expressly approved by the party responsible for compliance could void the user's authority to operate the equipment.

The [Device] wireless operation is safe and complies to RF Exposure requirements.

This equipment has been tested and found to comply with the limits for a Class B digital device, pursuant to part 15 of the FCC Rules. These limits are designed to provide reasonable protection against harmful interference in a residential installation. This equipment generates, uses and can radiate radio frequency energy and, if not installed and used in accordance with the instructions, may cause harmful interference to radio communications. However, there is no guarantee that interference will not occur in a particular installation. If this equipment does cause harmful interference to radio or television reception, which can be determined by turning the equipment off and on, the user is encouraged to try to correct the interference by one or more of the following measures:

- Reorient or relocate the receiving antenna.
- Increase the separation between the equipment and receiver.
- Connect the equipment into an outlet on a circuit different from that to which the receiver is connected.
- Consult the dealer or an experienced radio/TV technician for help.

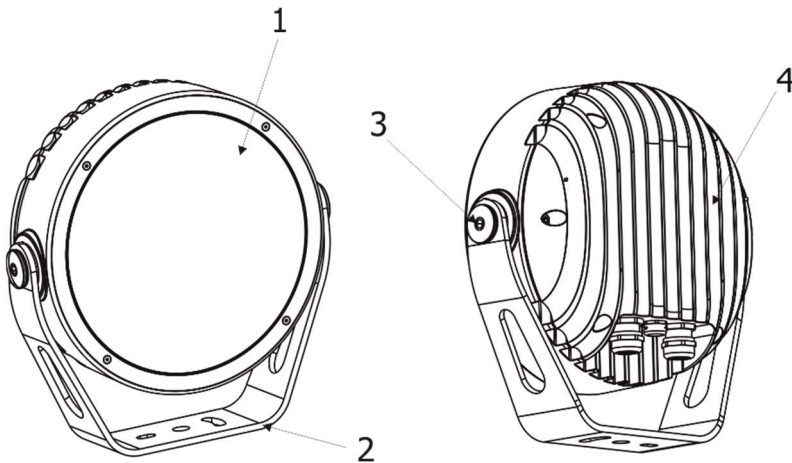
Warning for fixtures with Harsh Environment Finish (HEF):

Handle with care!

Avoid any damage to the painted surface.

Damaging the paint may result in corrosion and loss of warranty.

2. Fixture exterior view

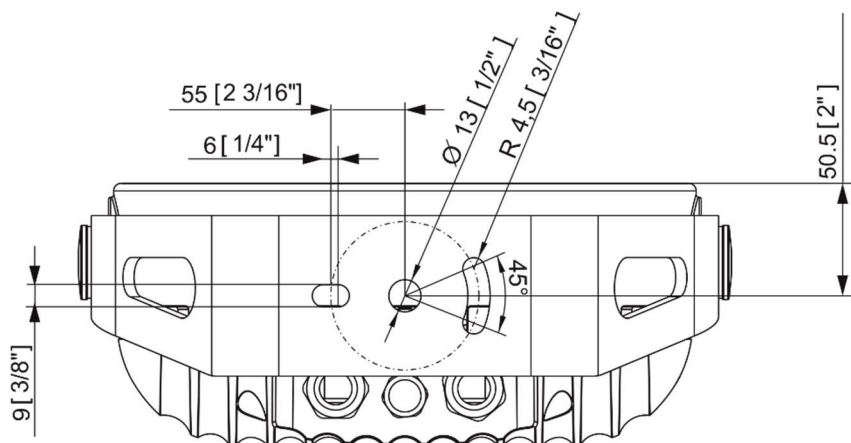


1. Transparent glass cover
2. Mounting yoke
3. Tilt adjusting lock
4. LED module with heat sink

3. Installation

3.1 Mounting the fixture

The Calumma can be fastened in any orientation on a flat, non-flammable surface by means of mounting yoke (2).



The LED module (4) can be tilted $+180^{\circ}/-180^{\circ}$. Use an Allen key 2.5 for adjusting a LED module position.

Ensure that the structure to which you are attaching the fixture is secure.

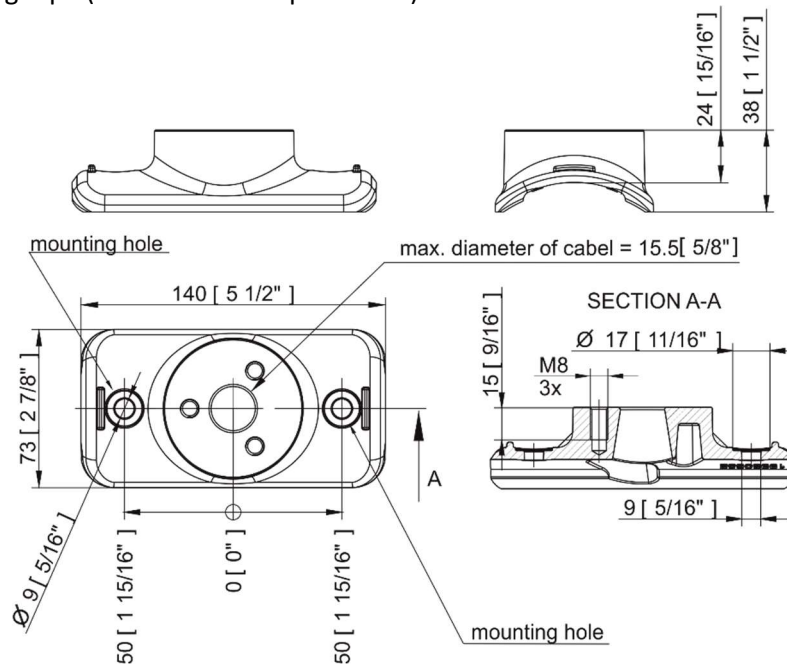
Calumma XL

Mounting the fixture via the pole clamp adaptor

The pole clamp adaptor serves as a fastening element for Calumma XL on a pole of diameter of 76-116mm or on the flat pole. The Calumma XL has to be equipped with a modified mounting yoke (P/N 11418771) intended for this way of installation.

The pole clamp adaptor set includes: 1x pole clamp adaptor, 1x rubber cable gland, 3x Allen screw M8x20, 3x flat washer, 3x spring washer, 2x tube spacer.

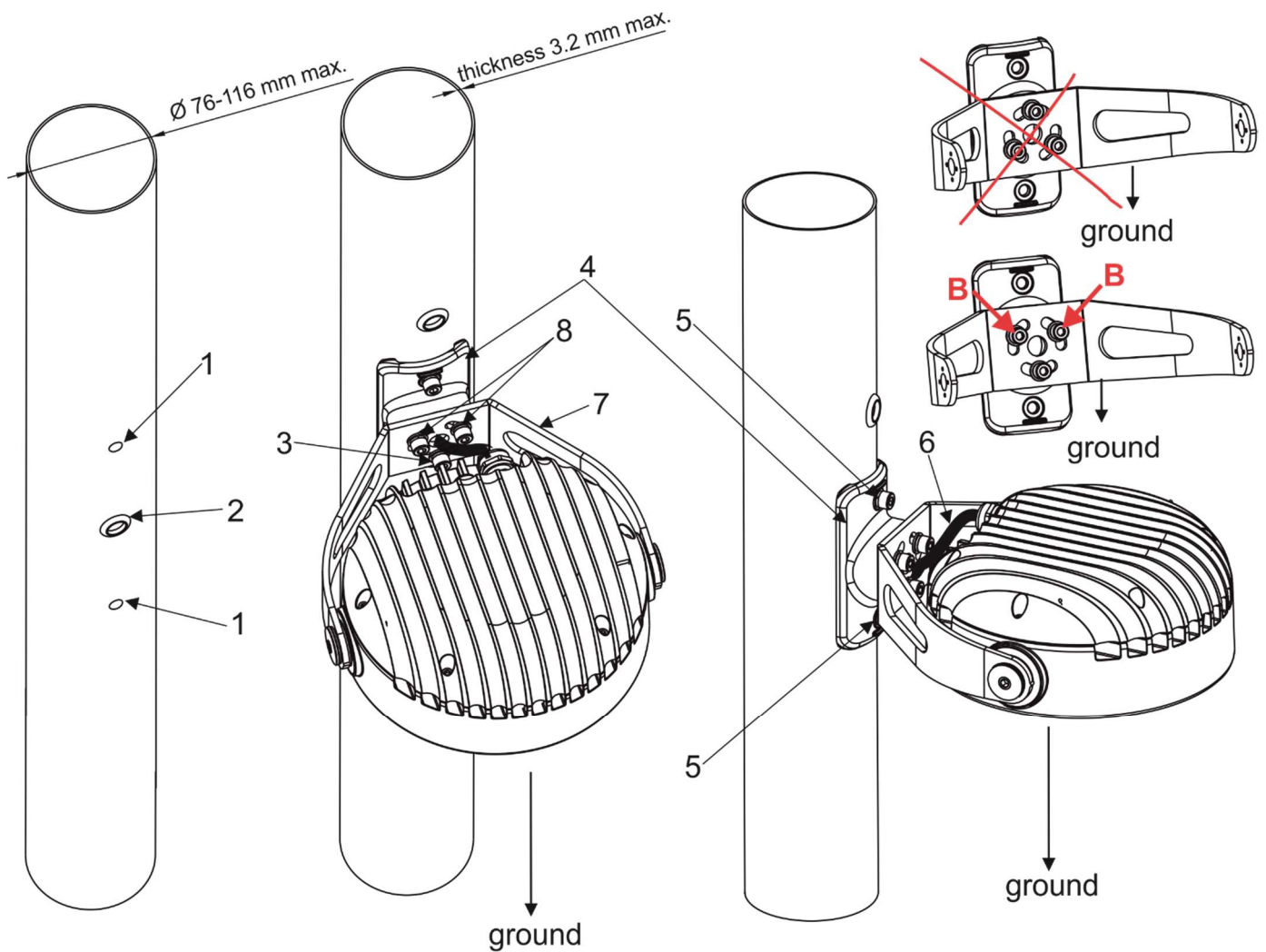
1. The pole clamp adaptor can be screwed on the pole by means of two screws or fixed by means of a steel clamping tape (max. width of tape=20mm).



If you use two screws for fastening the pole clamp adaptor on the pole, drill two holes (1) for fastening the pole clamp adaptor on the pole. Diameter of holes depends on material of pole and used screws. Be sure that fastening of the pole clamp adaptor is secure to keep weight of Calumma.

2. Drill the hole (2) for rubber cable gland (diameter of hole=20mm, max. thickness of pole wall= 3.2mm), make drilled hole edges clean (without burrs) and insert the rubber gland into the hole.

Calumma XL



3. Screw the pole clamp adaptor (4) on the pole by means of two screws (5) with spring washers or use a steel clamping tape for fastening the pole clamp adaptor on the pole.
In case of screwing the pole clamp adaptor (7) on a flat surface (pole), two pole spacers have to be inserted under two mounting holes of the pole clamp adaptor (on fastening screws (5)) to fill up space between the pole and the pole clamp adaptor
4. Pass the Calumma cable (6) through mounting yoke (7), pole clamp adaptor (4) and through cable gland (2) into the pole.
5. Screw the Calumma mounting yoke (7) on the pole clamp adaptor (4) by means of three Allen screws M8x20 (3) with washers (Allen screw + spring washer+ flat washer). Keep correct orientation of the fastening screws (3) as drawn on the picture – two screws (B) have to aim upwards, one screw has to be orientated towards ground.
NOTE. Three mounting openings in the mounting yoke allow positioning of the mounting yoke in range of 0°- 360°.

3.2 Connection to mains

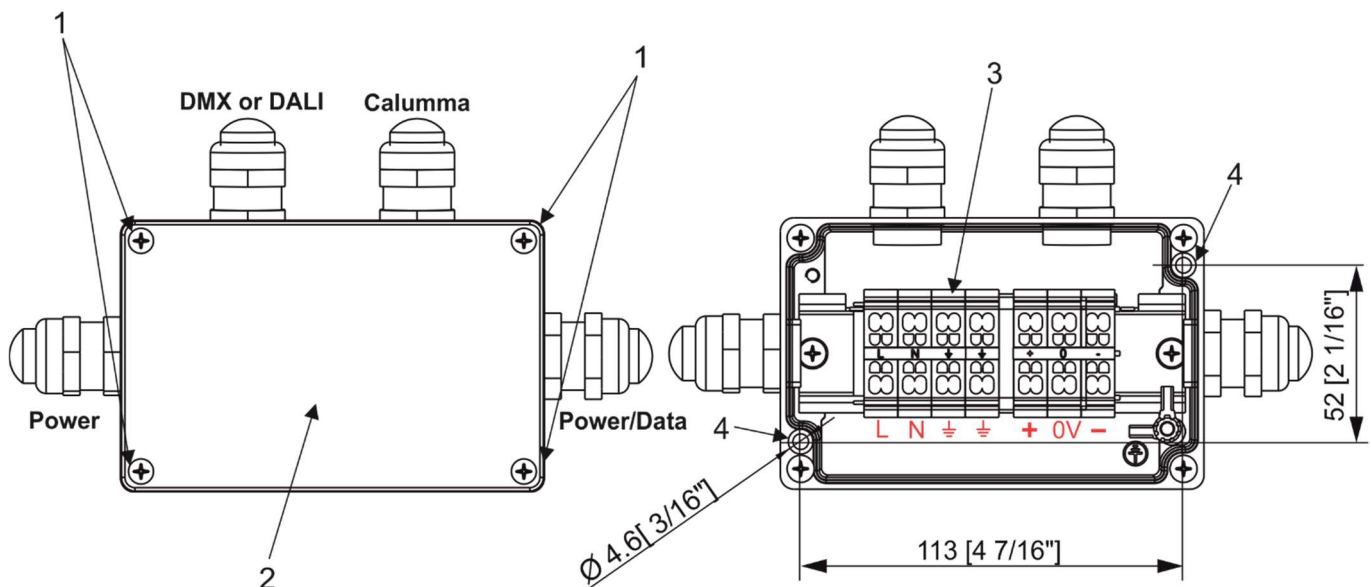
***The unit must be installed by a qualified electrician in accordance with all national and local electrical and construction codes and regulations.
This device falls under class one and must be grounded!***

The Calumma is equipped with auto-switching power supply that automatically adjusts to any 50/60Hz AC power source from 120-277 Volts.

3.2.1 Junction box installation

The junction box falls under protection class I . Therefore, every junction box has to be connected to a mains socket outlet with a protective earthing connection.

1. Unscrew the four screws (1) from the cover (2) on the junction box to get access to the terminal block (3) and two mounting holes of diameter of 4.6 mm (4).
2. Screw the junction box on a non-flammable flat surface.

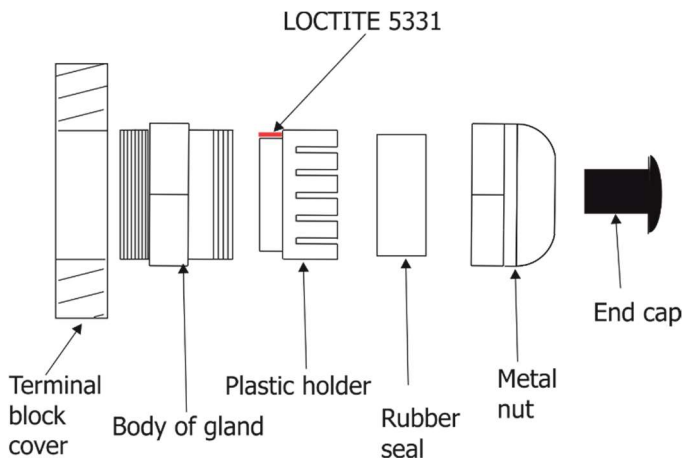


3. Connect cables.

The cable gland M20 x 1.5 with a standard seal serves for a cable of diameter of 7-13mm, for smaller diameter of cable (4-8mm) you have to remove the original seal from the cable gland M20x1.5 and use enclosed reducing seal instead of it. The reducing seal for diameter of cable 4-8mm (P/N 13051388) is enclosed in the Junction box. Remove the end cap from the cable gland before passing the cable.

We recommend to apply an adequate layer of the paste LOCTITE 5331 on the plastic holder of the cable gland before inserting it into the body of the gland.

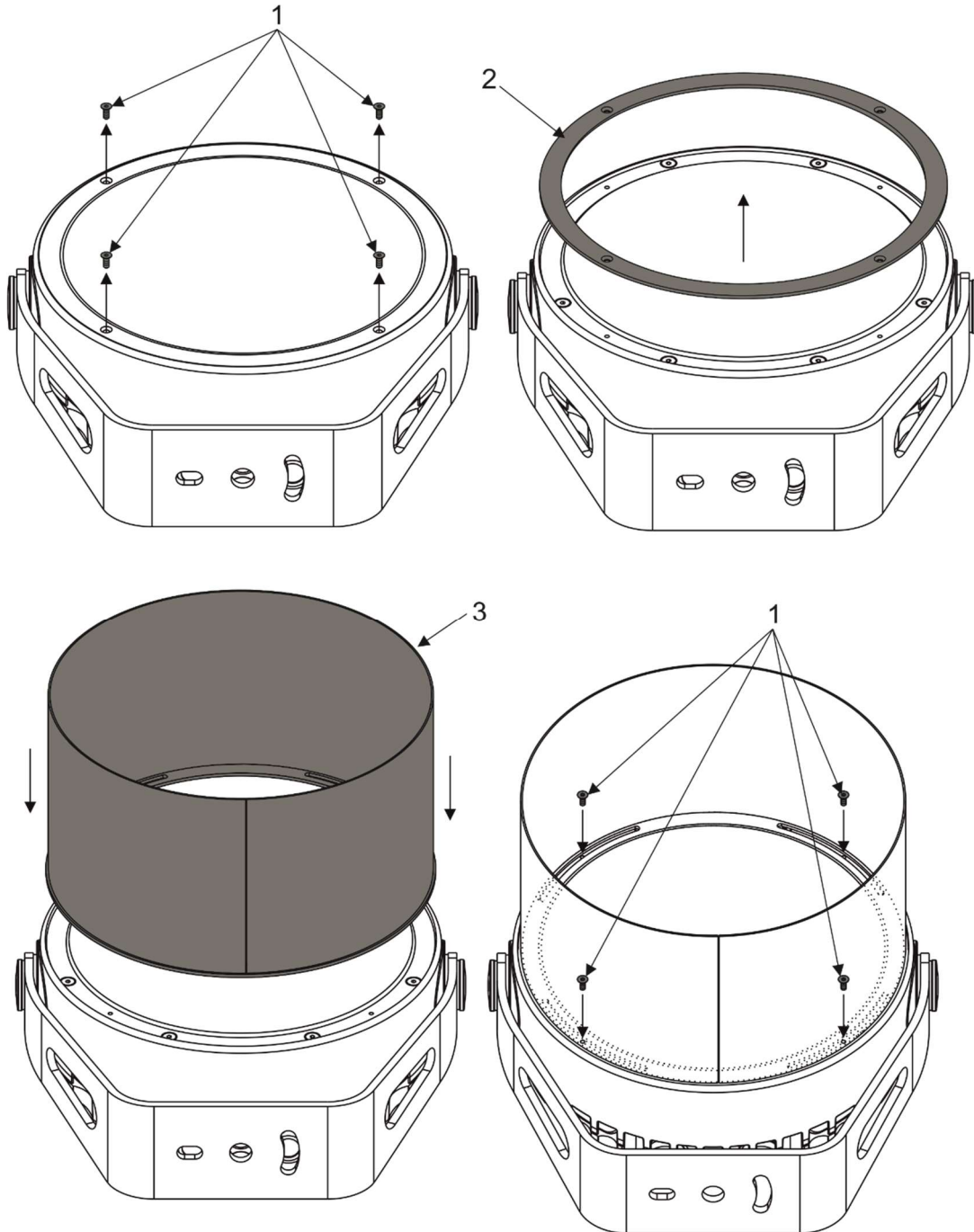
Cable gland M20x1.5:



4. Screw the cover (2) back on the junction box.

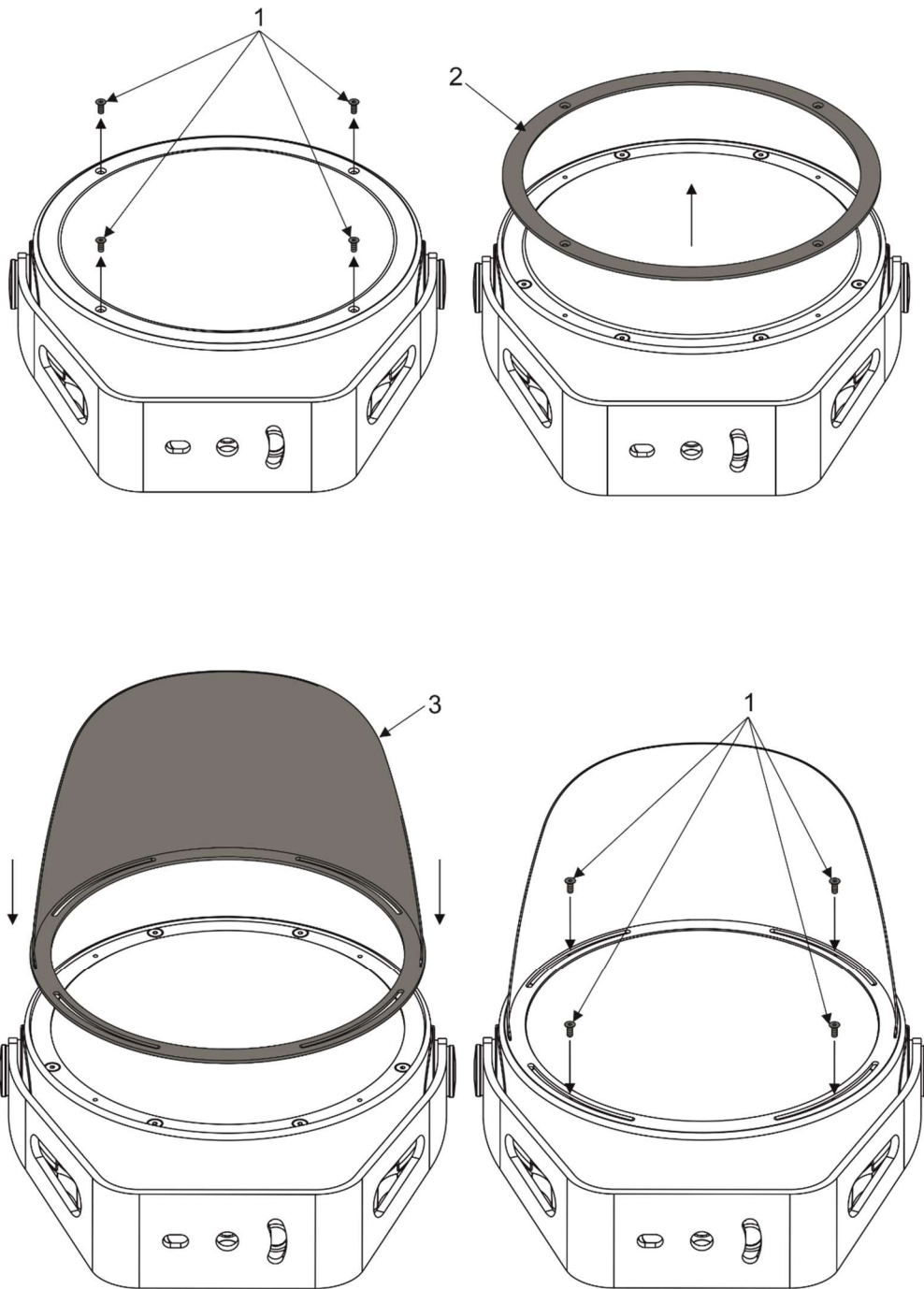
3.3 Top hat installation

1. Unscrew the four flat-head screws M3x8 (1) from the front of the Calumma and remove the flange (2).
2. Place the top hat (3) on the Calumma and screw it by means of the four flat-head screws M3x8 (1).



3.4 Half top hat installation

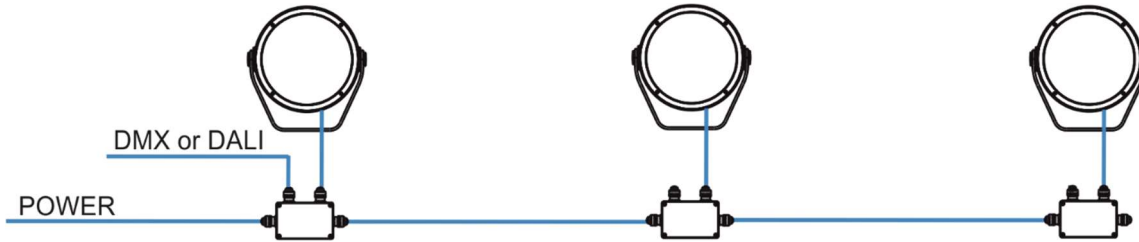
1. Unscrew the four flat-head screws M3x8 (1) from the front of the Calumma and remove the flange (2).
2. Place the half top hat (3) on the Calumma and screw it by means of the four flat-head screws M3x8 (1).



4. Control and connection options

4.1 DMX or DALI

Example



DMX connection (CE)

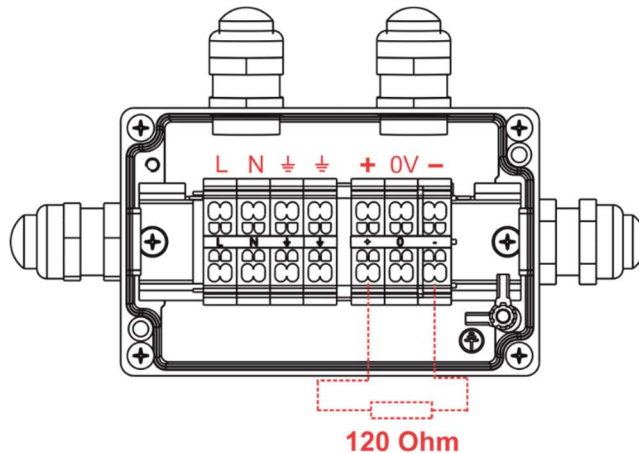
IF the 5-cored cable Flamar 3x AWG 16 + 1x (2x AWG 24), (P/N 1305 1508) is used for Calumma connection and connection among junction boxes:

| Core | Connection | Core | Connection |
|--------------|-------------|-----------|------------------|
| Black | Live (L) | Red | Data + (+) |
| Blue | Neutral (N) | White | Data - (-) |
| Yellow/Green | GND ⊕ | Shielding | Data ground (0V) |

Up to 32 Calummas can be connected in DMX chain.

NOTE: DMX line of Calummas XL has to be terminated at the last fixture.

EITHER connect a 120 Ohm resistor between terminals + and - in the junction box at last fixture,



OR terminate via RDM Set the 'Manufacturer PID' 'Terminator active' to '1' at last fixture by means of RDM Control Panel.



Ensure **ONLY** the last fixture in the line is terminated using **ONE** of the above methods!

DALI connection (CE)

Cable 4BD51501-3core+DALI 5X1.5mm² Hybrid LSZH black (P/N 1305 3693) is intended for Calumma connection and connection among junction boxes.

DALI connection (US)

Cable SJTW 5x 14AWG (P/N 1305 3336) is intended for Calumma connection and connection among junction boxes.

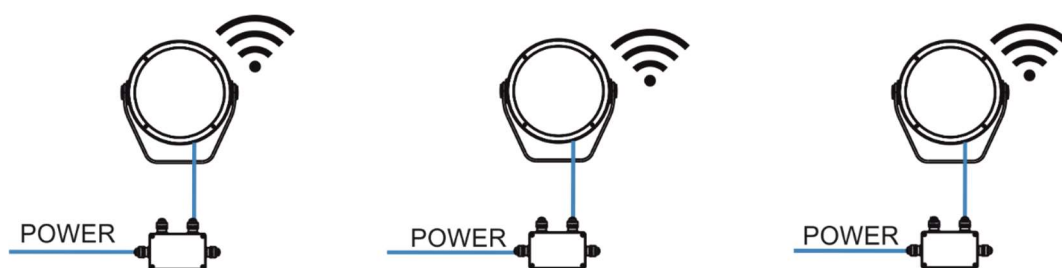
Colors and connection stated in the table below go for both cables stated above.

| Core | Connection | Core | Connection |
|--------------|-------------|--------|------------|
| Black | Live (L) | Red | Data |
| White | Neutral (N) | Orange | Data |
| Yellow/Green | GND ⊕ | | |

Up to 64 Calummas can be connected in DALI network.

4.2 Wireless DMX

Example



Note: This type of connection is available for M, L, XL versions.

DMX connection (CE)

IF the 5-cored cable Flamar 3x AWG 16 + 1x (2x AWG 24), (P/N 1305 1508) is used for Calumma connection:

| Core | Connection | Core | Connection |
|--------------|-------------|-----------|------------------|
| Black | Live (L) | Red | Data + (+) |
| Blue | Neutral (N) | White | Data – (-) |
| Yellow/Green | GND ⊕ | Shielding | Data ground (0V) |

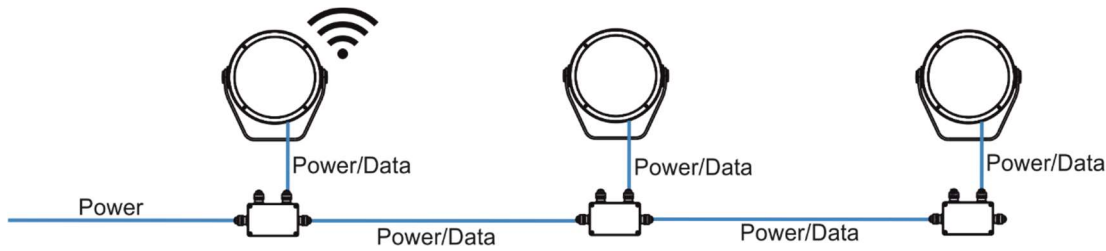
DMX connection (US)

IF the 6-cored cable SJTW 6x 14AWG, (P/N 1305 3480) is used for Calumma connection:

| Core | Connection | Core | Connection |
|--------------|-------------|--------|------------------|
| Black | Live (L) | Red | Data + (+) |
| White | Neutral (N) | Orange | Data – (-) |
| Yellow/Green | GND ⊕ | Blue | Data ground (0V) |

4.3 Wireless DMX to wire DMX

Example



Note: This type of connection must have M, L or XL versions as the first luminaire. Next luminaires in a row could be chosen from S, M, L or XL versions. . The function „wireless DMX → wire DMX output“ cannot be switched off.

DMX connection (CE)

IF the 5-cored cable Flamar 3x AWG 16 + 1x (2x AWG 24), (P/N 1305 1508) is used for Calumma connection and connection among junction boxes:

| Core | Connection | Core | Connection |
|--------------|-------------|-----------|------------------|
| Black | Live (L) | Red | Data + (+) |
| Blue | Neutral (N) | White | Data – (-) |
| Yellow/Green | GND ⊕ | Shielding | Data ground (0V) |

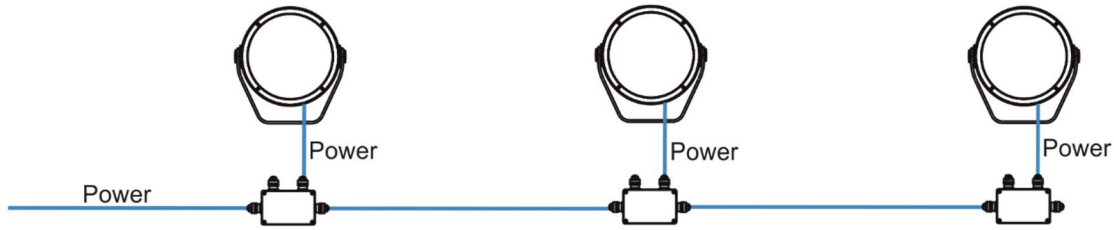
Up to 32 Calummas can be connected in DMX chain.

DMX connection (US)

IF the 6-cored cable SJTW 6x 14AWG, (P/N 1305 3480) is used for Calumma connection and connection among junction boxes:

| Core | Connection | Core | Connection |
|--------------|-------------|--------|------------------|
| Black | Live (L) | Red | Data + (+) |
| White | Neutral (N) | Orange | Data – (-) |
| Yellow/Green | GND ⊕ | Blue | Data ground (0V) |

4.4 Power On/Off



Note: This type of connection is available for single chip (SC) versions only – pure white or single colour. Non dimmable.

Input voltage: 120-277V

Power On/Off connection (CE)

3-cored cable H07BB-F 3G 1.5 (P/N 1305 1443)

| Core | Connection |
|--------------|-------------|
| Brown | Live (L) |
| Light Blue | Neutral (N) |
| Yellow/Green | GND ⊕ |

Power On/Off connection (US)

3-cored cable SEOOW power 3x16 AWG (P/N 13051558-1)

| Core | Connection |
|-------|-------------|
| Black | Live (L) |
| White | Neutral (N) |
| Green | GND ⊕ |

4.5 DMX or Ethernet via E-box

The E-box menu allows you to switch connected Calummas to the two modes:

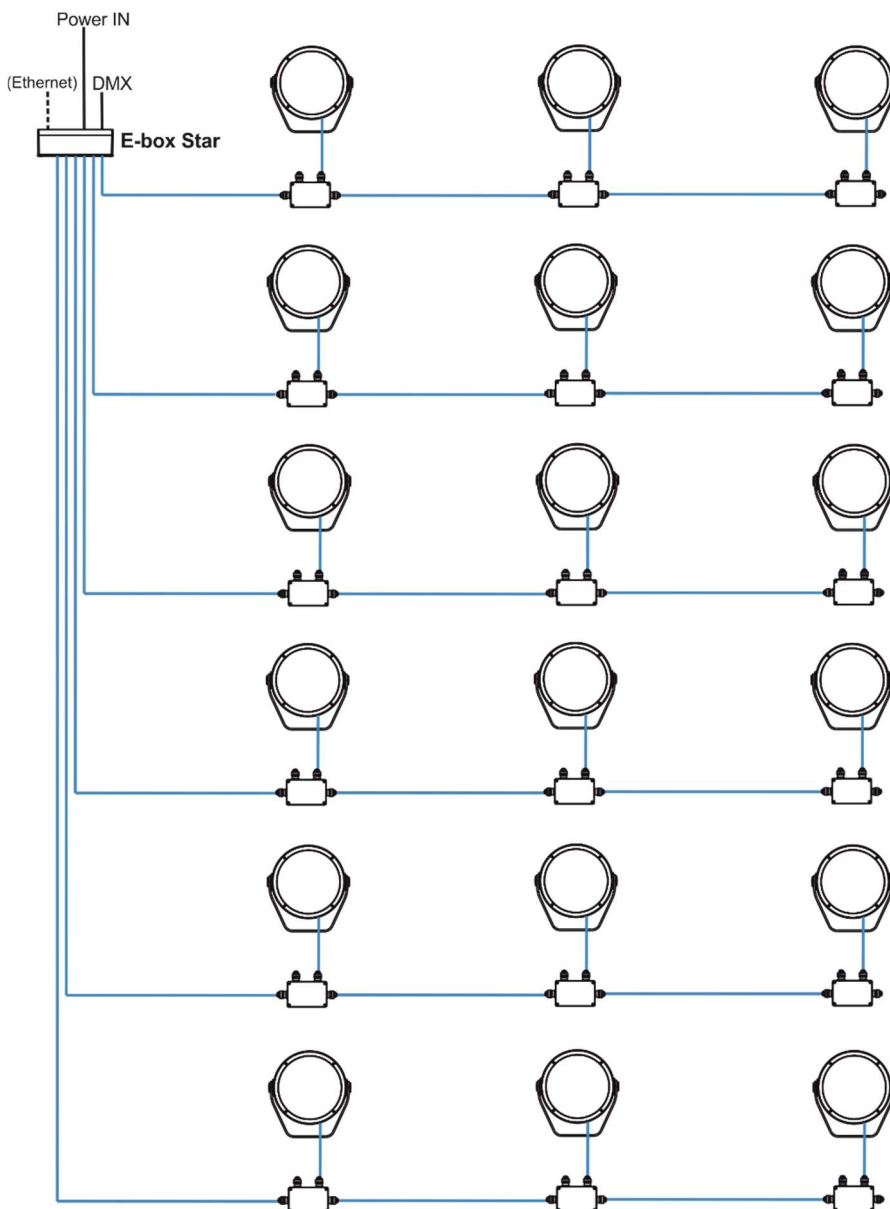
Standard - LED modules are switched to an internal serial connection. DMX addressing of connected LED modules is made automatically (default DMX address = 1), changes can be done by the E-box menu or by RDM.

Pass-Thr - (Pass through). LED modules are switched to an internal parallel connection. DMX addressing of connected LED modules has to be done manually by means of the Robe Universal and the software RDM Manager.

Example with junction boxes

Pass Through mode is intended for this connection. Max. 32 fixtures can be connected to one LED output of the E-Box (Star, Daisy, Lite) in this mode.

NOTE. Each DMX line of Calummas XL has to be terminated at the last fixture. Please see instructions in chapter 4.1 DMX or DALI.



Calumma XL

CE version

IF the 5-cored cable Flamar 3x AWG 16 + 1x (2x AWG 24), (P/N 1305 1508) is used for Calumma connection and connection among junction boxes:

| Core | Connection | Core | Connection |
|--------------|-------------|-----------|------------------|
| Black | Live (L) | Red | Data + (+) |
| Blue | Neutral (N) | White | Data – (-) |
| Yellow/Green | GND ⊕ | Shielding | Data ground (0V) |

US version

IF the 6-cored cable SJTW 6x 14AWG, (P/N 1305 3480) is used for Calumma connection and connection among junction boxes:

| Core | Connection | Core | Connection |
|--------------|-------------|--------|------------------|
| Black | Live (L) | Red | Data + (+) |
| White | Neutral (N) | Orange | Data – (-) |
| Yellow/Green | GND ⊕ | Blue | Data ground (0V) |

Number of connected Calummas to one E-box output depends on a cable length, power voltage, type of Calumma and E-box operation mode.

The tables below state max. theoretical number of Calummas connected to the one LED output of the E-box.

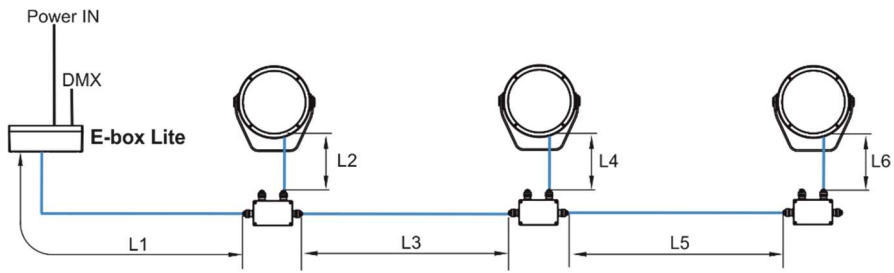
The tables apply for the **Pass-Through mode of E-boxes**.

| Calumma XL MC | Voltage | | | |
|----------------|---------|------|------|------|
| | 120V | 190V | 230V | 277V |
| Cable length * | | | | |
| 10 m | 10 | 17 | 20 | 24 |
| 20 m | 10 | 17 | 20 | 24 |
| 30 m | 7 | 17 | 20 | 24 |
| 50 m | 4 | 11 | 16 | 23 |
| 70 m | 3 | 8 | 12 | 17 |
| 100 m | 2 | 6 | 8 | 12 |

| Calumma XL SC | Voltage | | | |
|----------------|---------|------|------|------|
| | 120V | 190V | 230V | 277V |
| Cable length * | | | | |
| 10 m | 10 | 16 | 19 | 23 |
| 20 m | 10 | 16 | 19 | 23 |
| 30 m | 7 | 16 | 19 | 23 |
| 50 m | 4 | 10 | 15 | 22 |
| 70 m | 3 | 7 | 11 | 16 |
| 100 m | 2 | 5 | 8 | 11 |

Calumma XL

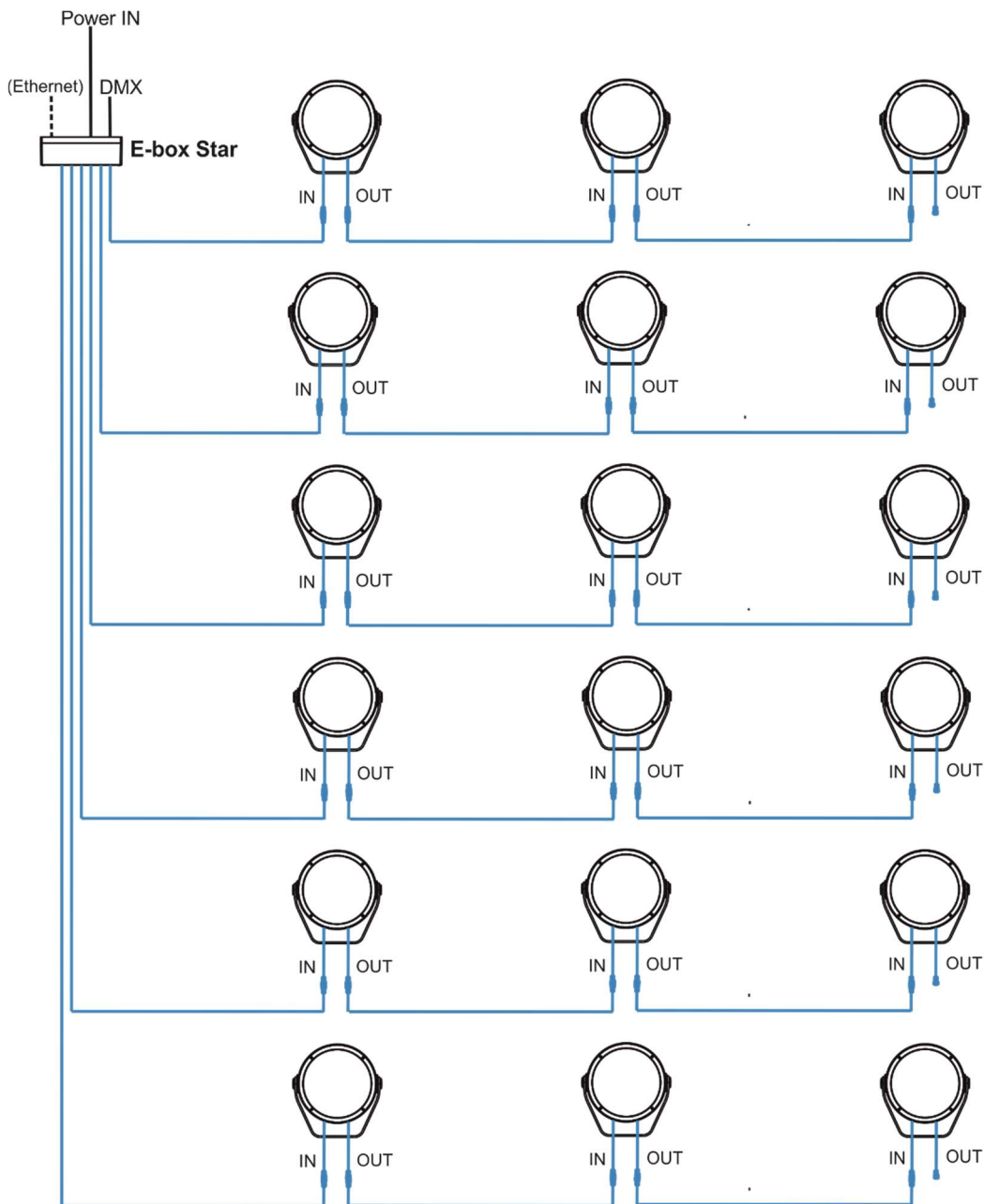
* Cable length is a total cable length between power supply (e.g. E-box) and last connected Calumma.
Example: Total cable length=L1+L2+L3+L4+L5+L6



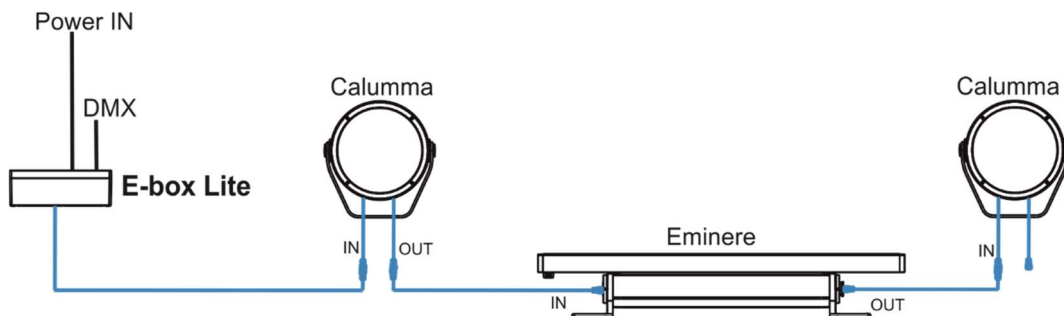
Calumma XL

Example with IN/OUT cables

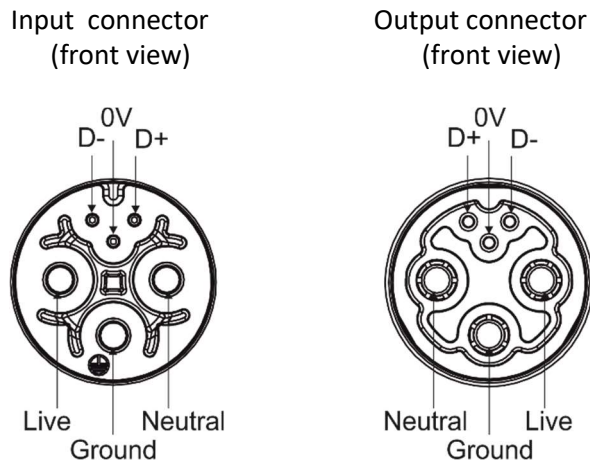
Standard mode is intended for this connection.



Note. Combination of Calummas and Emineres is also possible



Connection of leader cables



Leader Cable (CE):

| Wire | Power Connection | Wire | Data Connection |
|--------------|------------------|-----------|------------------|
| Brown | Live | Orange | Data - |
| Blue | Neutral | Purple | Data + |
| Yellow/Green | Ground (Earth) | Shielding | Data ground (0V) |

Fixture’s Amphenol connectors are dust and water protected according to IP 67 by mating with related Amphenol connectors. They cannot stay disconnected outdoor.

The output connector at last fixture in the Calumma chain has to always be covered with the water-tight cap to keep declared IP rating.

The Calumma modules with IN/OUT cables should be connected to the E-box which allows power supply of the Calumma modules and their control.

Do not connect (disconnect) Calummas to the E-box or Booster box and each other when they are under voltage!

When you change any setting of the E-box, disconnect the E-box from power and connect it to power again to activate changes which you have made.

Number of connected Calummas to one E-box output depends on a cable length, power voltage, type of Calumma and E-box operation mode.

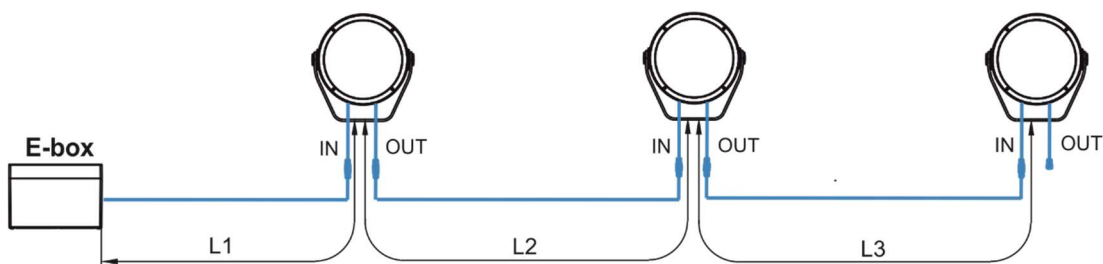
Calumma XL

The tables below state max. theoretical number of Calummas connected to the one LED output of the E-box without Booster boxes. The following table applies for the **Standard mode of E-boxes**.

| Calumma XL MC | Voltage | | | |
|----------------|---------|------|------|------|
| | 120V | 190V | 230V | 277V |
| Cable length * | | | | |
| 10 m | 10 | 17 | 20 | 24 |
| 20 m | 10 | 17 | 20 | 24 |
| 30 m | 7 | 17 | 20 | 24 |
| 50 m | 4 | 11 | 16 | 23 |
| 70 m | 3 | 8 | 12 | 17 |
| 100 m | 2 | 6 | 8 | 12 |
| 200 m | 1 | 3 | 4 | 6 |
| 500 m | 0 | 1 | 2 | 2 |

| Calumma XL SC | Voltage | | | |
|----------------|---------|------|------|------|
| | 120V | 190V | 230V | 277V |
| Cable length * | | | | |
| 10 m | 10 | 16 | 19 | 23 |
| 20 m | 10 | 16 | 19 | 23 |
| 30 m | 7 | 16 | 19 | 23 |
| 50 m | 4 | 10 | 15 | 22 |
| 70 m | 3 | 7 | 11 | 16 |
| 100 m | 2 | 5 | 8 | 11 |
| 200 m | 1 | 3 | 4 | 6 |
| 500 m | 0 | 1 | 2 | 2 |

* Cable length is a total cable length between power supply (e.g. E-box) and last connected Calumma.
Example: Total cable length=L1+L2+L3



Notice for the E-box Star: The tables above state max. total number of Calummas connected to 6 LED outputs of the E-box Star (or max. number of Calummas connected to one output if the rest of outputs is not connected).

4.5.1 Booster box

To compensate a voltage drop in large installation, the Booster boxes have to be connected in the chain of Calummas (connected IN/OUT method) at every LED output of the E-box.

The following tables give theoretical numbers of Calummas after which the Booster box has to be installed in the chain of Calummas (at one LED output of the E-box). The following table applies for the Standard mode of E-boxes.

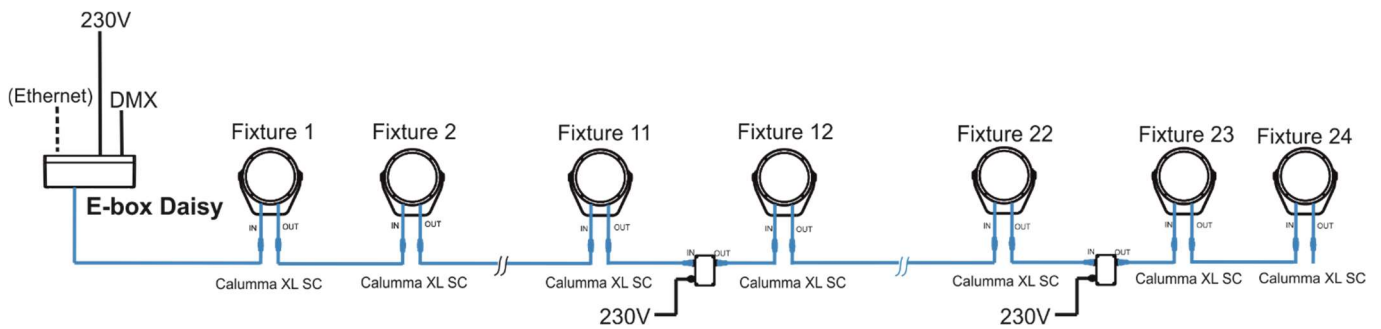
| Calumma XL MC | Max. number of Calummas XL MC=191 | | | |
|---------------|---|---|--|------------------------------|
| | Voltage | | | |
| Cable length | 120V | 190V | 230V | 277V |
| 10 m | 10,20 | 17 | 20 | 24 |
| 20 m | 10,20,30 | 17,34 | 20,40 | 24,48 |
| 30 m | 7,14,21,28,35,42,49,56... | 17,34,51,68 | 20,40,60,80 | 24,48,72 |
| 50 m | 4,8,12,16,20,24,28,32,36,40,44,48,52,56.... | 11,22,33,44,55,66,77,88,99,110... | 16,32,48,64,80,96,112, | 23,46,69,92,115 |
| 70 m | 3,6,9,12,15,18,21,24,27,30,33,36,39,42,45,48,51,54,57,60,63,66,69,72... | 8,16,24,32,40,48,56,64,72,80,88.. | 12,24,36,48,56,68,80,92,104... | 17,34,51,68,85,102,119... |
| 100 m | 2,4,6,8,10,12,14,16,18,20... | 6,12,18,24,30,36... | 8,16,24,32,40,48,56... | 12,24,36,48,56,68,80.... |
| 200 m | 1,2,3,4,5,6,7,8,9,10,11.... | 3,6,9,12,15,18,21,24,27,30,33,36,39,42,45,48,51,54,57,60,63,66,69,72..... | 4,8,12,16,20,24,28,32,36,40,44,48,52,56,60,64,68,72,76,80,84.... | 6,12,18,24,30,36,42... |
| 500 m | - | 1,2,3,4,5,6,7,8,9,10,11.... | 2,4,6,8,10,12,14,16,18,20... | 2,4,6,8,10,12,14,16,18,20... |

| Calumma XL SC | Max. number of Calummas XL SC=191 | | | |
|---------------|--|---|---------------------------------------|--------------------------|
| | Voltage | | | |
| Cable length | 120V | 190V | 230V | 277V |
| 10 m | 10,20 | 16 | 19 | 23 |
| 20 m | 10,20,30,40,50 | 16,32,48 | 19,38 | 23,46 |
| 30 m | 7,14,21,28,35,42,49,56,64... | 16,32,48,64 | 19,38,57,76 | 23,46,69 |
| 50 m | 4,8,12,16,20,24,28,32,36,40,44,48,52,56,60,64,68,72,76,80,84.... | 10,20,30,40,50,60,70,80,90,100... | 15,30,45,60,75,90,105.. | 22,44,66,88,110... |
| 70 m | 3,6,9,12,15,18,21,24,27,30,33,36,39,42,45,48,51,54,57,60,63,66,69,72,75,78,81... | 7,14,21,28,35,42,49,56,63,70,77,84,91,98... | 11,22,33,44,55,66,77,88,99,110,121... | 16,32,48,64,80,96,112... |

Calumma XL

| | | | | |
|-------|------------------------------|--|---|---|
| 100 m | 2,4,6,8,10,12,14,16,18,20... | 5,10,15,20,25,30,35,40,45... | 8,16,24,32,40,48,56,64,72,80,88,96... | 11,22,33,44,55,66,77,88,99,110,121 ... |
| 200 m | 1,2,3,4,5,6,7,8,9,10,11.... | 3,6,9,12,15,18,21,24,27,30,33,36,39,42,45,48,51,54,57,60,63,66,69,72,75,78,81... | 4,8,12,16,20,24,28,32,36,40,44,48,52,56,60,64,68,72,76,80,84. | 6,12,18,24,30,36... |
| 500 m | - | 1,2,3,4,5,6,7,8,9,10,11.... | 2,4,6,8,10,12,14,16,18,20... | 2,4,6,8,10,12,14,16,18,20... 0... |

Example: E-box Daisy, Power supply= 230V, Cable length=70m, fixture=Calumma XL SC.
 The Booster box has to be connected after every 11th Calumma XL SC (fixture 11 and fixture 22) from 24 fixtures.

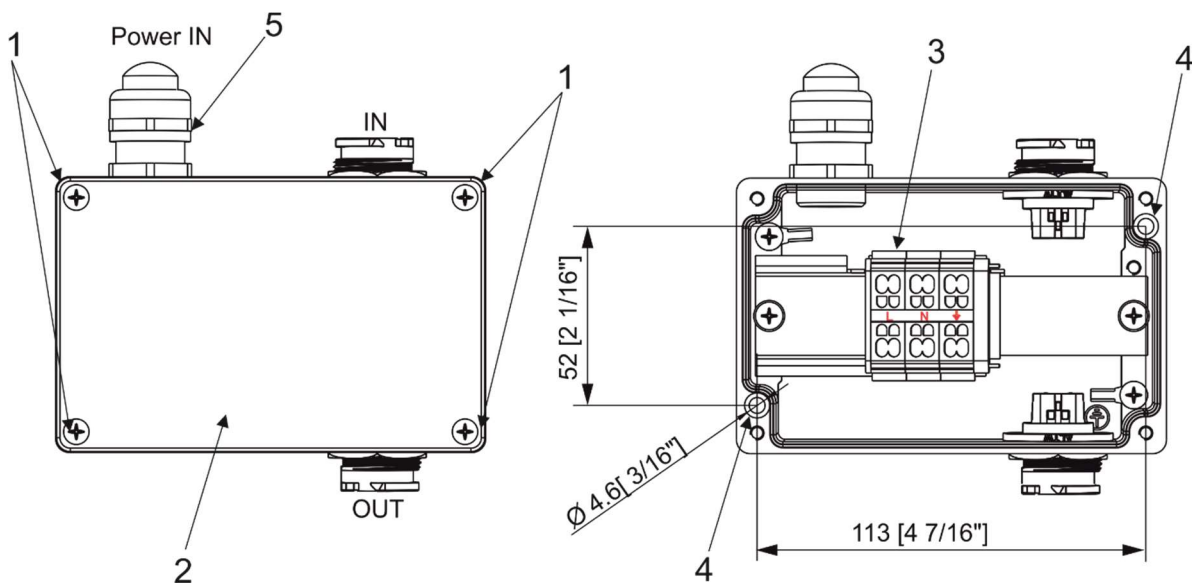


4.5.2 Booster box installation

ALWAYS DISCONNECT THE CALUMMAS FROM MAINS BEFORE CONNECTING/DISCONNECTING THE BOOSTER BOX.

The Booster box falls under protection class I. Therefore, every Booster box has to be connected to a mains socket outlet with a protective earthing connection.

1. Unscrew the four screws (1) from the cover (2) on the Booster box to get access to the terminal block (3) and two mounting holes of diameter of 4.6 mm (4).
2. Screw the Booster box on a non-flammable flat surface and connect cables.



3. Connect power cable.

Remove the end cap from the cable gland before passing the power cable.

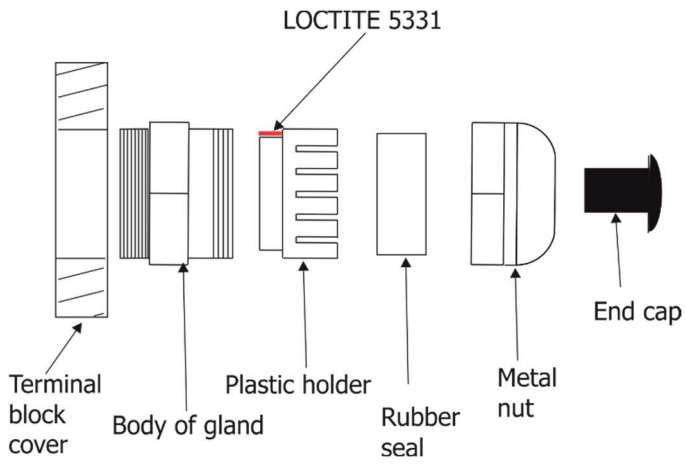
The cable gland M20 x 1.5 (5) with a standard seal serves for a cable of diameter of 7-13mm, for smaller diameter of cable (4-8mm) you have to remove the original seal from the cable gland M20 x 1.5 and use the enclosed reducing seal instead of it. The reducing seal for diameter of cable 4-8mm (P/N 13051388) is enclosed in the Booster box.

Power connection

| | L | N | ⊕ (earth) |
|-----------|-------|------|--------------|
| Core (CE) | Braun | Blue | Green/yellow |

We recommend to apply an adequate layer of the paste LOCTITE 5331 on the plastic holder of the cable gland before inserting it into the body of the gland.

Cable gland M20x1.5




4. Screw the cover (2) back on the Booster box.

4.6 Example of Control panel in RDM manager

The software RDM manager is available on the ROBE website (<https://www.robe.cz/support>), product RUNIT WTX.

The screenshot shows a web-based control panel for a Calumma XL device. At the top, the device ID is 52:53-01:2e:00:7f, followed by a green play button icon. The interface is organized into several expandable sections:

- Product information:** RDM protocol version: 0x0100, Device model ID: 0x012e, Product category: 0x0102, Software version: 23, Subdevice count: 0, Sensor count: 2, Manufacturer label: ROBE lighting s.r.o., Device model description: Calumma, and a Device label input field.
- DMX512 setup:** DMX512 footprint: 4, Current personality: DMX Preset 01- 4 (dropdown), Personalities count: 16, and DMX address: 1 (spinner).
- Power/Lamp setup:** Device hours: 3728.
- Configuration:** Factory defaults: Set (button).
- Control:** Identify device: off (dropdown).
- Display settings:** (empty section).
- Manufacturer PIDs:** LED calibration 4byte HEX! (RGBW/RGBA): ff ff ff (hex), Insect friendly light (0 = off, 1 = on): 00 (hex), WiFi unlink (1-unl): 00 (hex), and Terminator active (0-dis 1-en): 00 (hex).

Green arrow  saves changes made in the Control panel to the Calumma.

Manufacturer PIDs

LED calibration 4byte HEX! (RGBW/RGBA) - the item shows 4 bytes of calibration values for calibrated white colours of RGBW(RGBA) Calumma.

E.g.



CTC channel has to be set to some calibrated white colour (21 DMX-1800K, 66 DMX-2700K, 91 DMX-3200K, 141 DMX-4200K, 211 DMX-5600K, 255 DMX-6500K) otherwise the item shows values "ff ff ff ff" (and calibration values cannot be saved to the Calumma).

Warning!

Changing and saving values in this item will effect calibrated white colour(s) of the Calumma .

Insect friendly light - the item effects RGBA Calumma only. If the item is on, blue colour is not used in calibrated white colours. This modification of white lights results in a smaller attraction of white light for insects (mosquitos, moths..). The function is also available from DMX chart (channel Special Function, range 7-10 DMX).

WiFi unlink - the item allows you to unlink the Calumma from DMX transmitter (wireless DMX version only)

Terminator active - the item allows you to terminate line of Calummas at last Calumma.

5. Software update

Software update of Calumma module has to be done by means of the software ROBE Uploader running on PC. The ROBE Uploader is a software for automatized software update of ROBE fixtures. The ROBE Uploader switches Calummas to the update mode automatically.

Please see <https://www.robe.cz/robe-uploader/> for more information.

Note: Calumma modules in DALI connection and ON/OFF connection cannot be updated.

The software update depends on a method of Calummas connection.

DMX or Ethernet connection via E-box

If the option **Standard** is selected from the menu **E-box mode**, the E-box will be updated including connected Calumma XL modules. You have to use the file EminereEbox.lib in the ROBE Uploader for this operating mode. The Standard mode is usually used in IN/OUT connection (without junction boxes).

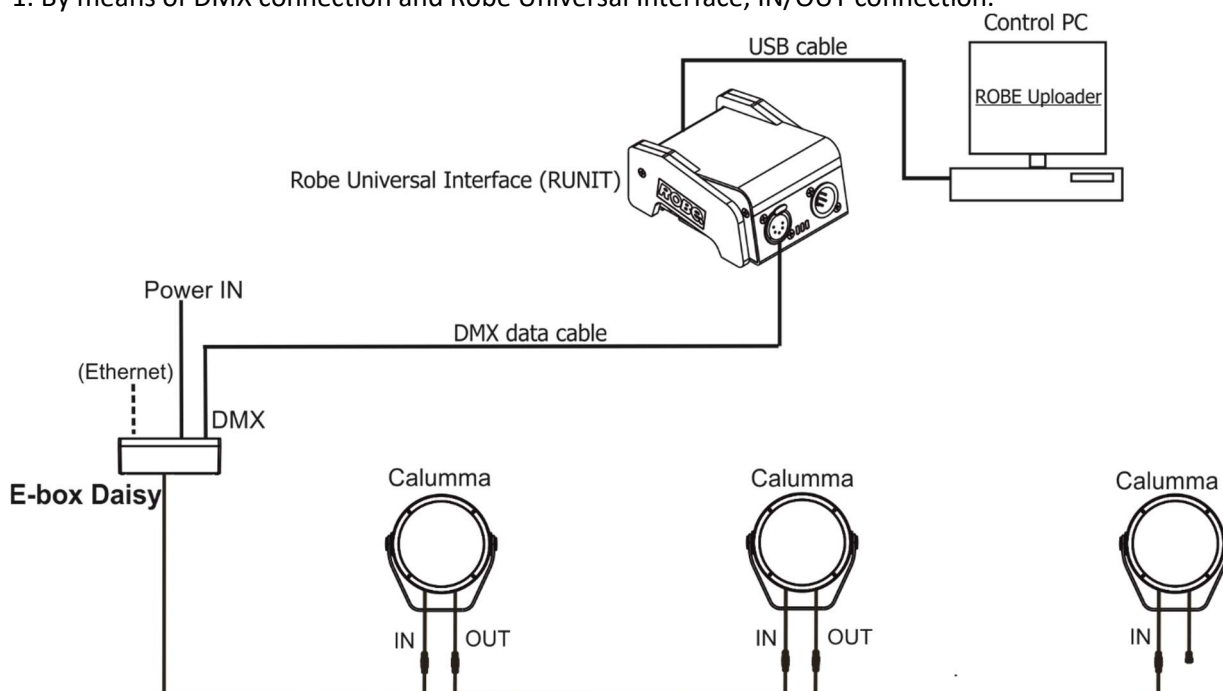
If the option **Pass-Thr** is selected from the menu **E-box mode**, you have to do the following steps to update Calummas XL including the E-box. The Pass-Through mode is usually used in connection with junction boxes.

1. Update connected LED modules by means of the file Calumma.lib in the ROBE Uploader.
2. Set the E-box to the Standard mode and switch it off/on. Use the file EminereEbox.lib in the ROBE Uploader for software update of the E-box.
3. After updating the E-box, set the E-box to the Pass-Through mode and switch it off/on.

For more information about updating please see the E-box Lite/Daisy/Star user manual.

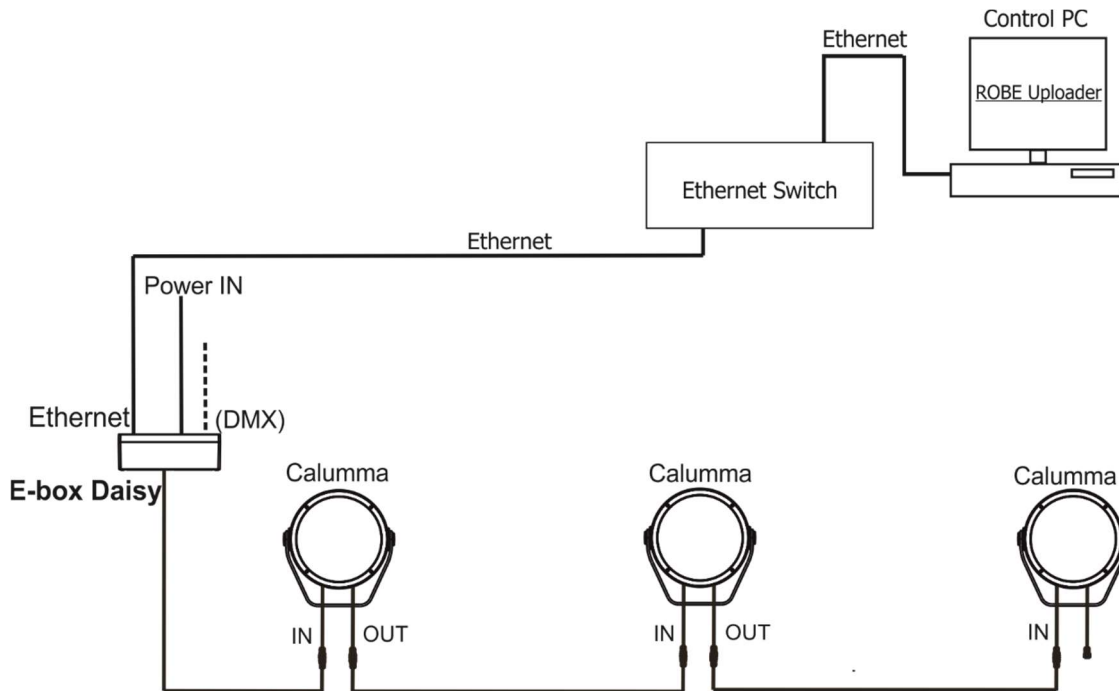
Examples:

1. By means of DMX connection and Robe Universal Interface, IN/OUT connection.

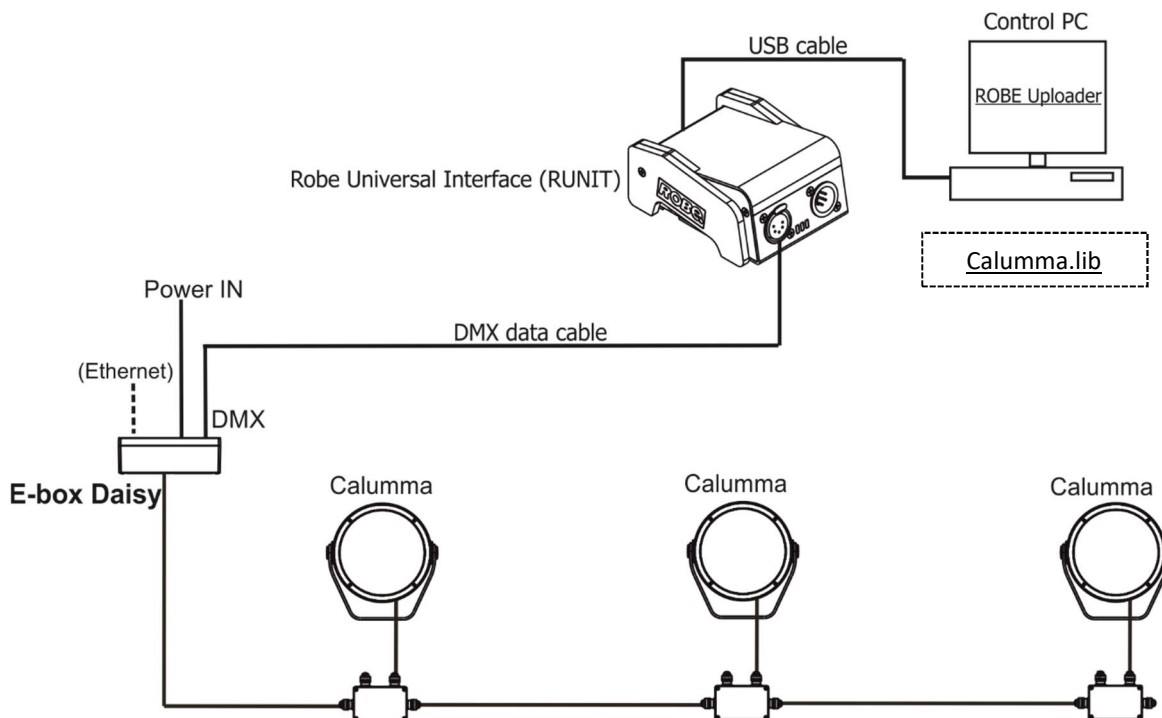


Calumma XL

2. By means of the Ethernet connection, IN/OUT connection.



3. By means of DMX connection and Robe Universal Interface. Connection via junction boxes.

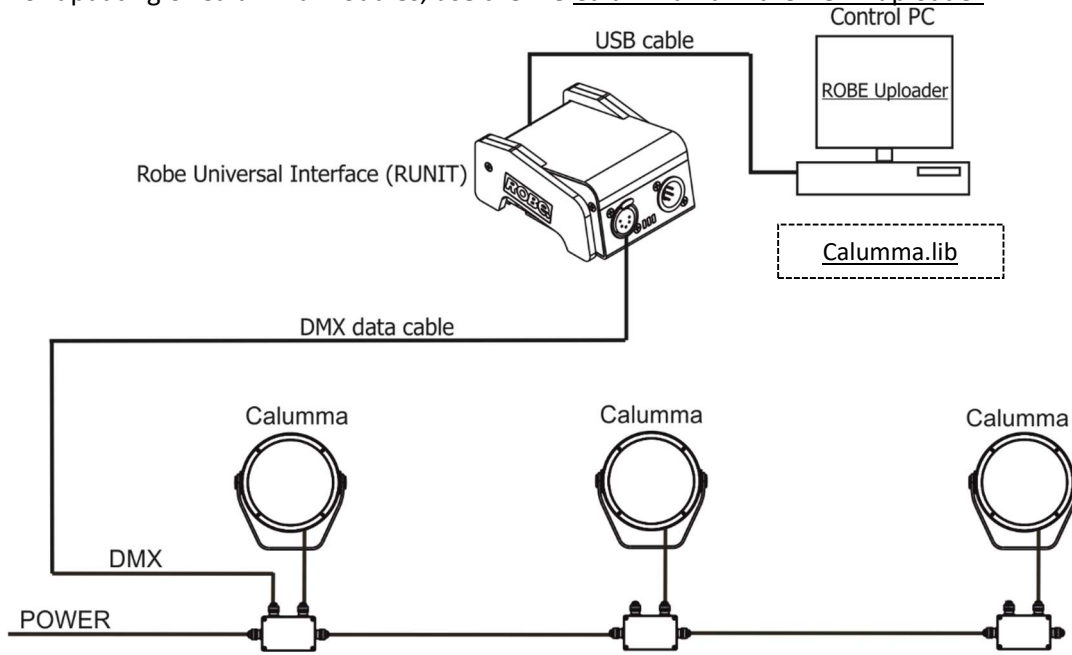


If you use a connection via junction boxes and you need to update connected E-box, switch the E-box to the Standard mode and use the EminereEbox.lib in the ROBE Uploader to update E-box. After updating the E-box, switch it back to the Pass-Trough mode.

Calumma XL

DMX connection

For updating of Calumma modules, use the file Calumma.lib in the ROBE uploader.



6. Technical specifications

Power supply

- Electronic auto-ranging
- Input voltage: 120 - 277V AC, 50/60 Hz
- Power consumption:
Calumma XL MC: 175 W
Calumma XL SC: 185 W
- Inrush current:
Calumma XL MC: 60A(twidth= 510us measured at 50% Ipeak) at 230VAC, cold start
Calumma XL SC: 60A(twidth= 510us measured at 50% Ipeak) at 230VAC, cold start

Optic

- Light source:
Calumma XL MC: 19 x high power multichip LEDs
Calumma XL SC: 121 x high power single chip LEDs
- Colour variants: RGBW (W - 6500 K), RGBA, PW (W - 3000 K)
- Beam Angle Calumma XL MC:
Symmetrical: 9°, 15°, 25°, 30°, 45°, 65°, 100°
Bi-symmetrical: 10° x 30°, 30° x 10°, 10° x 60°, 60° x 10°, 15° x 45°, 45° x 15°,
15°x90°, 90°x15°, 30°x60°, 60°x30°, 30°x90°, 90°x30°
- Beam Angle Calumma XL SC:
Symmetrical: 10°, 15°, 25°, 30°, 45°, 65°, 100°
Bi-symmetrical: 10° x 30°, 30° x 10°, 10° x 60°, 60° x 10°, 15° x 45°, 45° x 15°,
15°x90°, 90°x15°, 30°x60°, 60°x30°, 30°x90°, 90°x30°
Asymmetrical side, Asymmetrical forward
- Projected Lumen Maintenance: L90B10 >90.000 hrs, Ta = 25°C / 77°F

Compatible drivers

- E-box Daisy
1 Output
1 Main power Input
Control: DMX, Art-Net, sACN , W-DMX control, RDM
Pixel control
120-277V Input
Connection via terminal blocks, inlets via grommet
IP67
- E-box Star
6 outputs
1 Main power Input
Control: DMX, Art-Net, sACN , W-DMX control, RDM
Pixel control
120-277V Input
Connection via terminal blocks, inlets via grommet
IP67
- E-box Lite
1 output
1 Main power Input
Control: DMX, W-DMX control, RDM
Pixel control

Calumma XL

120-277V Input

Connection via screw terminal blocks, inlets via grommet

IP67

Wireless DMX/RDM module RW 001 (only wireless version of the fixture)

- Supported protocols: full RDM support, CRMX , W-DMX™ G2, G3,G4 and G4S
- Operational frequency range: 2402-2480 MHz
- Output power: 100 mW
- Receiver sensitivity (0.1% BER): -93 dBm
- Crystal Clock Frequency : 16.0 MHz
- Contains FCC ID: 2A6PL-DMXRDMRW001
- Contains IC: 29573-DMXRDMRW001

Mounting method

- Via yoke
- Adjustability: -180°/+180°

Housing

- High pressure die-cast aluminium body
- Tempered glass

Cooling system

- Convection

Total heat dissipation

- Calumma XL MC: 448 BTU/h (calculated)
- Calumma CL SC: 473 BTU/h (calculated)

Protection factor

- CE: IP 67 (IP 66 junction box)
- US: Suitable for wet location

Impact rating

- IK10

Operating ambient temperature range

- -20°C /+40°C (-4°F /+104°F)

Connection - CE

- DMX connection
Calumma IN: Flamar 3x AWG 16 + 1 x (2x AWG 24) Standard 1m with bare-end (P/N 1305 1508)
Interconnecting cables: Flamar 3x AWG 16 + 1 x (2x AWG 24) (P/N 1305 1508)
Junction box
- Wireless DMX connection
Calumma IN: Flamar 3x AWG 16 + 1 x (2x AWG 24) Standard 1m with bare-end (P/N 1305 1508)
Junction box
- Wireless to DMX connection
Calumma IN: Flamar 3x AWG 16 + 1 x (2x AWG 24), Standard 1m with bare-end (P/N 1305 1508)
Interconnecting cables: Flamar 3x AWG 16 + 1 x (2x AWG 24) (P/N 1305 1508)
Junction box

Calumma XL

- DALI connection
Calumma IN: 4BD51501-3core+DALI 5X1.5mm2 Hybrid LSZH black, standard 1m with bare-end (P/N 13053693)
Interconnecting cables: 4BD51501-3core+DALI 5X1.5mm2 Hybrid LSZH black (P/N 1305 3693)
Junction box (P/N 1098 0714)
- DMX or Ethernet via E-box and Junction box
Calumma IN: Flamar 3x AWG 16 + 1x (2x AWG 24), standard 1m with bare-end (P/N 1305 1508)
Interconnecting cables: Flamar 3x AWG 16 + 1 x (2x AWG 24), (P/N 1305 1508)
Junction box
- DMX or Ethernet via E-box and IN/OUT cables
Calumma IN: Leader cable MM (P/N 13053493) with hybrid connector, standard 0.5 m
Calumma OUT: Leader cable MF (P/N 13053494) with hybrid connector, standard 0.5 m
Leader cables: Leader Cable FF 2 m (P/N 13053438)
Leader Cable FF 5 m (P/N 13053440)
Leader Cable FF 10 m (P/N 13053436)
Leader Cable FF 25 m (P/N 13053437)
Jumper cables: Jumper Cable FF/FM 0,25 m (P/N1 3053422)
Jumper Cable FF/FM 0,5 m (P/N 13053423)
Jumper Cable FF/FM 1 m (P/N 13053425)
Jumper Cable FF/FM 2 m (P/N 13053427)
Jumper Cable FF/FM 3 m (P/N 13053428)
Jumper Cable FF/FM 5 m (P/N 13053430)
Jumper Cable FF/FM 10 m (P/N 13053424)
- Power On/Off connection
Calumma IN: H07BB-F 3G1.5, standard 1m with bare-end (P/N 13051443)
Junction box (P/N 1098 0714)

Connection - US

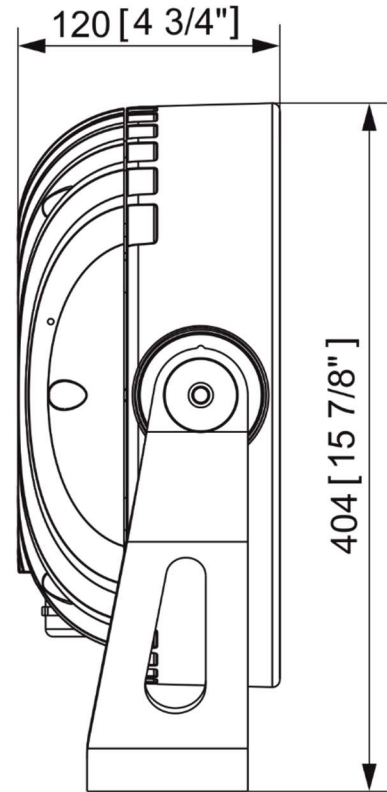
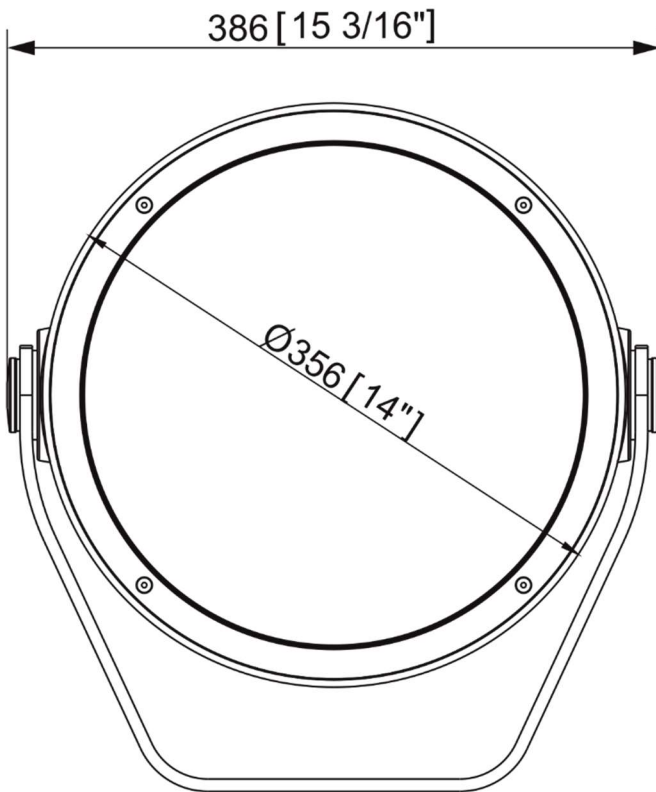
- Wireless DMX connection
Calumma IN: SJTW 6x 14AWG, standard 1m with bare-end, (P/N 1305 3480)
Junction box
- Wireless to DMX connection
Calumma IN: SJTW 6x 14AWG, standard 1m with bare-end, (P/N 1305 3480)
Interconnecting cables: SJTW 6x 14AWG (P/N 1305 3480)
Junction box
- DALI connection
Calumma IN: SJTW 5x 14AWG, standard 1m with bare-end (P/N 1305 3336)
Interconnecting cables: SJTW 5x 14AWG (P/N 1305 3336)
Junction box
- DMX or Ethernet via E-box and Junction box
Calumma IN: SJTW 6x 14AWG ,standard 1m with bare-end (P/N 1305 3480)
Interconnecting cables: SJTW 6x 14AWG ,(P/N 1305 3480)
Junction box
- Power On/Off connection
Calumma IN: SEOOW power 3x16AWG, standard 1m with bare-end (P/N 13051558-1)
Junction box (P/N 1098 0714)

Calumma XL

Weight

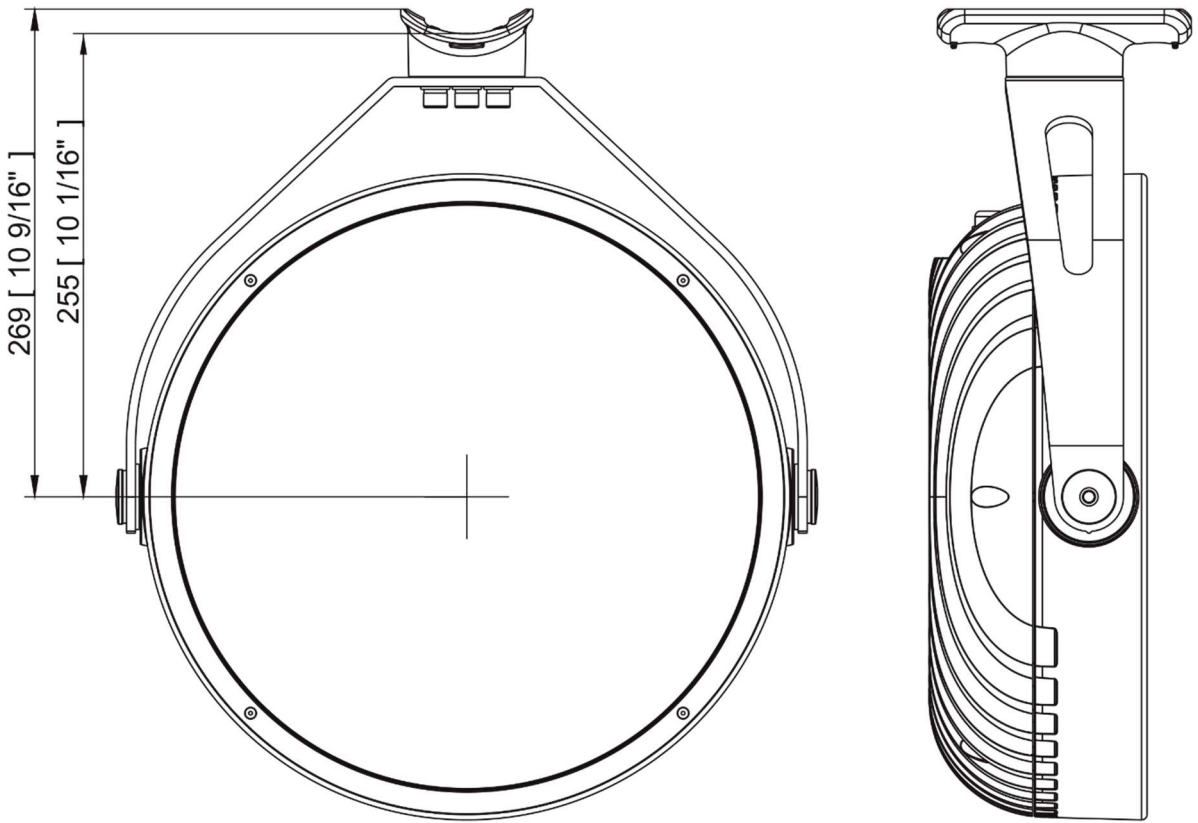
- Calumma XL SC 12.7 kg (28 lbs)
- Calumma XL MC 12.3 kg (27.12 lbs)

Dimensions (All dimensions in mm [inch])



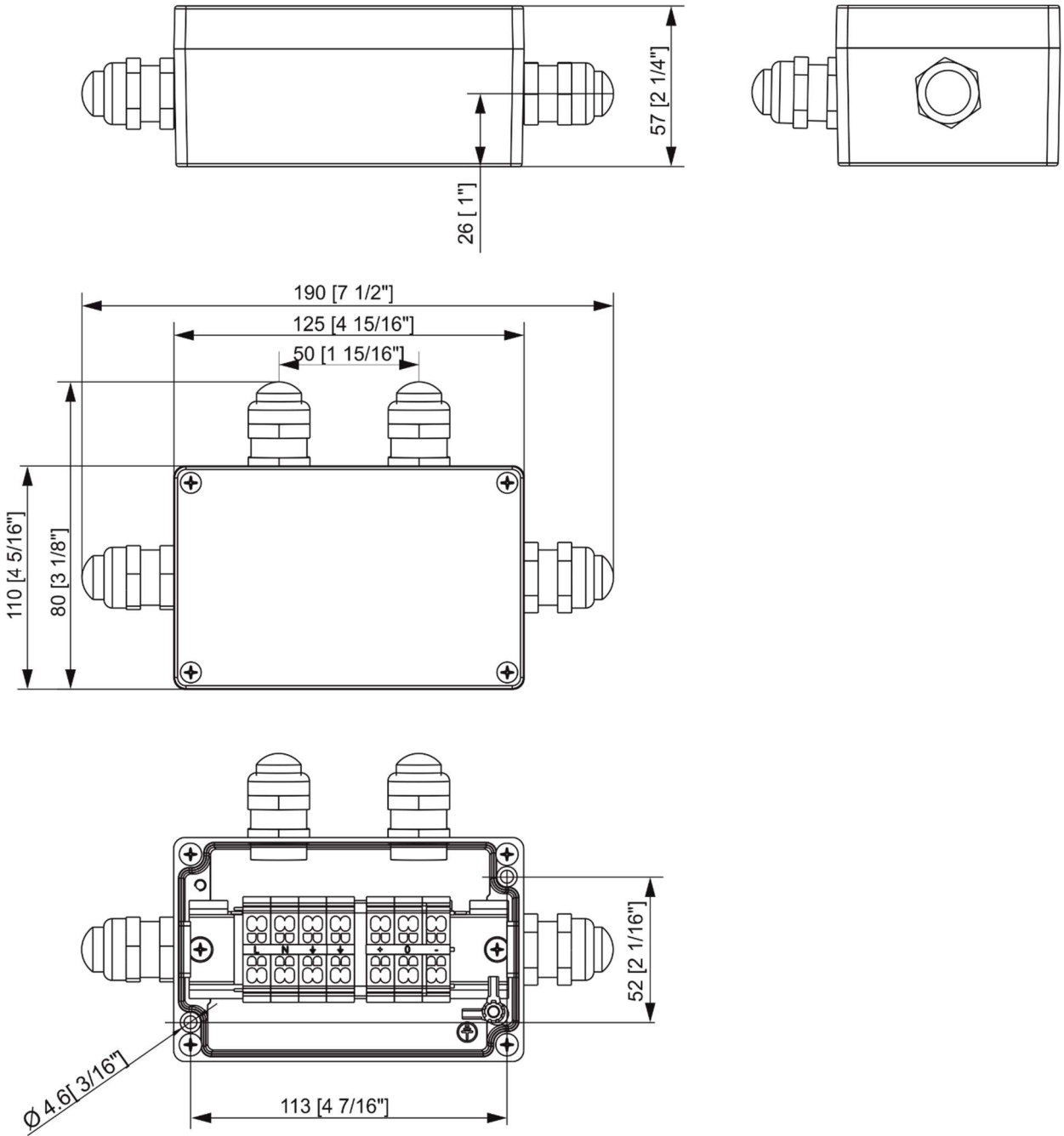
Calumma XL

Calumma XL with Pole clamp adaptor



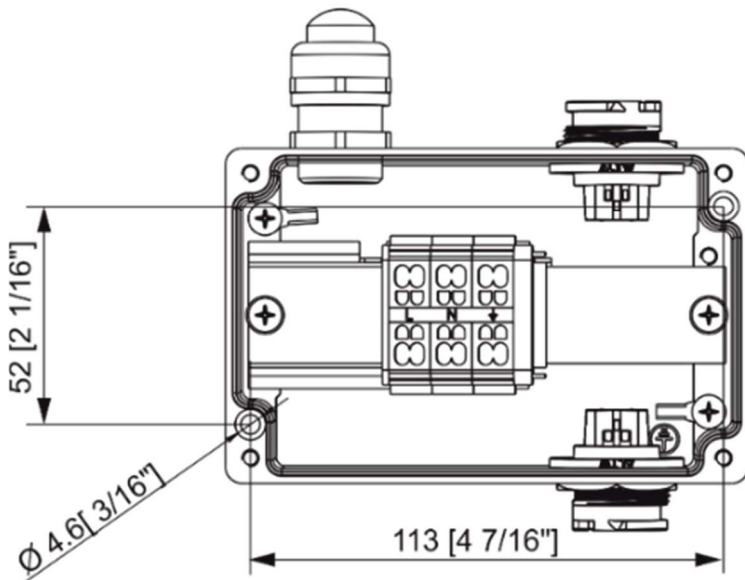
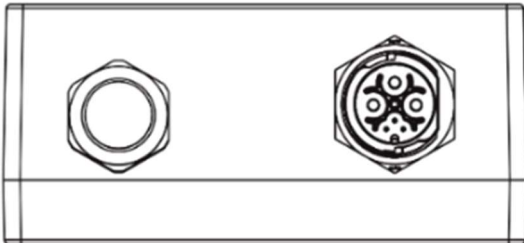
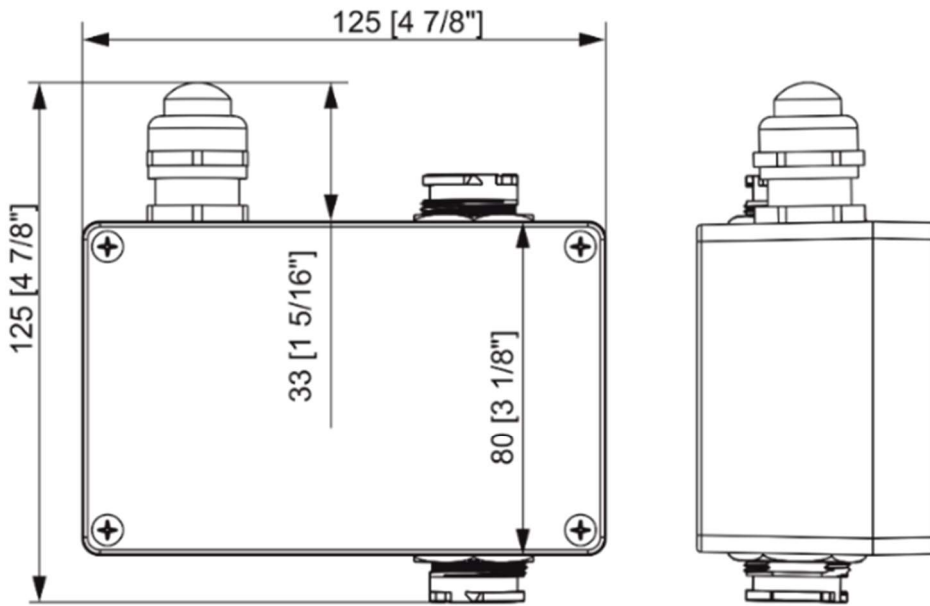
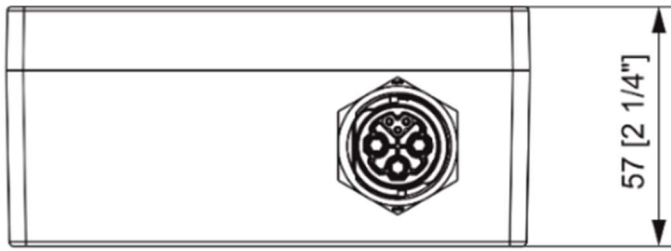
Calumma XL

Junction box



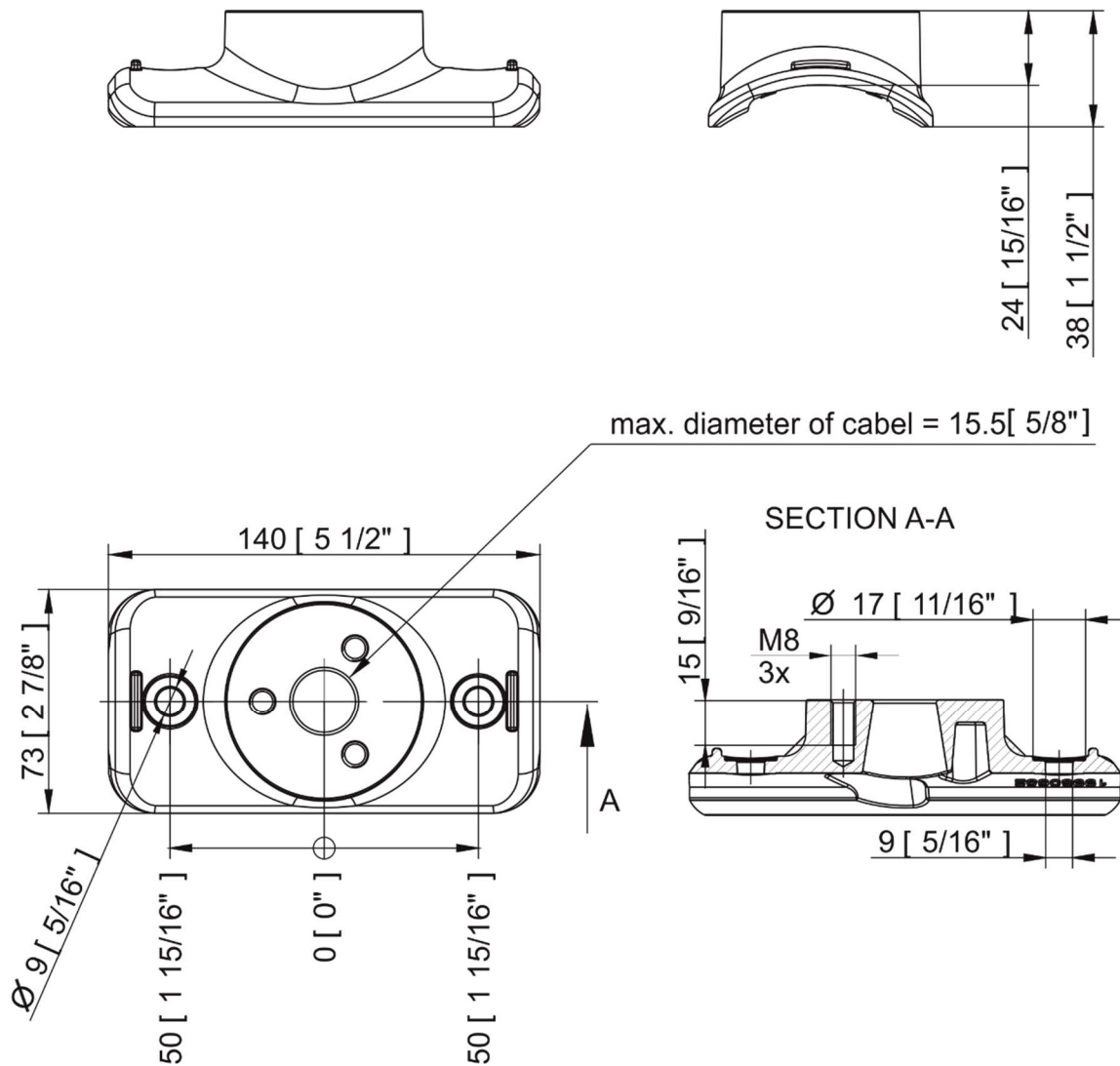
Calumma XL

Booster box



Calumma XL

Pole clamp adaptor for Calumma



Included items

- 1 x Calumma XL MC / Calumma XL SC
- 1 x User manual

Optional accessories

Junction Box for Calumma, 1x Output, Ral 9006 (P/N 10980757)
 Junction Box for Calumma, 1x Output, Ral 9011 (P/N 10980714)
 Top Hat Calumma XL RAL9011 (P/N 10980735)
 Half Top Hat Calumma XL RAL9011 (P/N 10980739)
 Pole clamp adaptor for Calumma RAL 9011 (P/N 10980783)
 Tenon Adaptor for Calumma XL
 Pole Mount Bracket for Calumma XL

E-box Daisy (P/N 10063655)
 E-box Daisy/W (P/N 10063638)
 E-box Lite (P/N 10063657)
 E-box Lite/W (P/N 10063653)
 E-box Star (P/N 10063656)
 E-box Star/W (P/N 10063644)
 Booster box (P/N 10063712)

7. Cleaning and maintenance

DANGER !
Disconnect from the mains before starting any maintenance or cleaning work

Rinse off loose dirt with low pressure water spray. Wash the housing with a soft brush or sponge and a mild, non-abrasive washing detergent. Rinse it.

Maintenance and service operations are only to be carried out by a qualified person.

Should you need any spare parts, please use ROBE OEM parts.

7.1 Disposing of the product

To preserve the environment please dispose or recycle this product at the end of its life according to the local regulations and codes.

8. ChangeLog

This section summarizes changes in the user manual.

| Version of manual | Date of issue | Description of changes |
|-------------------|---------------|--|
| 1.1 | 13/10/2022 | DMX protocol ver. 1.1 added |
| 1.2 | 09/01/2023 | Software update description changed |
| 1.3 | 10/02/2023 | DMX protocol ver. 1.2 added |
| 1.4 | 17/02/2023 | Pole adaptor for Calumma added |
| 1.5 | 22/02/2023 | Power ON/Off connection description changed |
| 1.6 | 06/03/2023 | Number of connected Calummas changed |
| 1.7 | 17/04/2023 | Termination of DMX line specified |
| 1.8 | 03/07/2023 | On/Off version more specified |
| 1.9 | 20/09/2023 | New cabel for DALI connection (CE version) |
| 2.0 | 23/01/2024 | Control panel of RDM manager added, DMX chart ver. 1.3 |

Specifications are subject to change without notice.

September 23, 2024

Copyright © 2022-2024 Robe Lighting - All rights reserved

Made in CZECH REPUBLIC by ROBE LIGHTING s.r.o. Palackeho 416/20 CZ 75701 Valasske Mezirici

DMX protocol for Calumma - All sizes - MC and SC

Version: 1.3 (16 modes in total)

| Mode/Channels in all | | | | | | | | Mode 1- RGBW(A)-8bit, Mode 2- RGB 8-bit, Mode 3- full RGBW(A) | |
|----------------------|---|----|---|---|---|----|-----------|--|-----------------|
| 1 | 2 | 3 | 4 | 5 | 6 | 7 | 8-10 | Mode 4- White-full control, Mode 5- Reduced RGBW(A) | |
| 4 | 3 | 12 | 3 | 6 | 8 | 15 | Reserved | Mode 6- Reduced RGBW(A)+white control, Mode 7- Full control | |
| | | | | | | | | Mode 7-Full RGBW(A)+virt. Colour wheel | |
| | | | | | | | | RGBW/RGBA/RGB modes | |
| Mode/channels | | | | | | | DMX Value | Function | Type of control |
| 1 | 2 | 3 | 4 | 5 | 6 | 7 | | | |
| - | - | - | - | - | - | 1 | | Special functions | |
| | | | | | | | 0 | No function <i>To activate following functions , stop in DMX value for at least 3 sec.</i> | step |
| | | | | | | | 1-2 | Save current DMX values to fixture as initial DMX values. | step |
| | | | | | | | 3-4 | Show saved initial DMX values | step |
| | | | | | | | 5-6 | Run factory demo sequences at switching fixture on (without DMX) | step |
| | | | | | | | 7-8 | Insect friendly light On (RGBA version only) | step |
| | | | | | | | 9-10 | Insect friendly light Off (RGBA version only) | step |
| | | | | | | | 11-255 | Reserved | |
| 1 | 1 | 1 | - | 1 | 1 | 2 | | Red | |
| | | | | | | | 0 - 255 | Red LEDs saturation control (0-100%) | proportional |
| - | - | 2 | - | - | - | 3 | | Red Fine | |
| | | | | | | | 0 - 255 | Red LEDs saturation control fine | proportional |
| 2 | 2 | 3 | - | 2 | 2 | 4 | | Green | |
| | | | | | | | 0 - 255 | Green LEDs saturation control (0-100%) | proportional |
| - | - | 4 | - | - | - | 5 | | Green Fine | |
| | | | | | | | 0 - 255 | Green LEDs saturation control fine | proportional |
| 3 | 3 | 5 | - | 3 | 3 | 6 | | Blue | |
| | | | | | | | 0 - 255 | Blue LEDs saturation control (0-100%) | proportional |
| - | - | 6 | - | - | - | 7 | | Blue Fine | |
| | | | | | | | 0 - 255 | Blue LEDs saturation control fine | proportional |
| 4 | - | 7 | - | 4 | 4 | 8 | | White (Amber) | |
| | | | | | | | 0 - 255 | White LEDs saturation control (0-100%) | proportional |
| - | - | 8 | - | - | - | 9 | | White (Amber) Fine | |
| | | | | | | | 0 - 255 | White LEDs saturation control fine | proportional |
| - | - | 9 | 1 | - | 5 | 10 | | Green correction | |
| | | | | | | | 0 | Uncorrected white | step |
| | | | | | | | 1-127 | Minus green - uncorrected white | proportional |
| | | | | | | | 128 | Uncorrected white (128=default) | step |
| | | | | | | | 129-255 | Uncorrected white - Plus green | proportional |
| - | - | 10 | 2 | - | 6 | 11 | | Colour temperature correction (CTC) | |
| | | | | | | | 0 | No function | step |
| | | | | | | | 1 - 10 | Tungsten dimming 2700 K | step |
| | | | | | | | 11 - 20 | Tungsten dimming 3200 K | step |
| | | | | | | | 21-255 | Colour temperature changing from 1800 K --> 6500 K (21-1800K, 66-2700K, 91-3200K,141-4200K, 211-5600K, 255-6500K) | proportional |
| - | - | - | - | - | - | 12 | | Virtual Colour Wheel | |
| | | | | | | | 0 | No function | step |

DMX protocol

| Mode/channels | | | | | | | DMX Value | Function | Type of control |
|---------------|---|---|---|---|---|-----------|-----------|---|-----------------|
| 1 | 2 | 3 | 4 | 5 | 6 | 7 | | | |
| | | | | | | | 1-2 | White 1800 K | step |
| | | | | | | | 3-4 | White 2700 K | step |
| | | | | | | | 5-6 | White 3200 K | step |
| | | | | | | | 7-8 | White 4200 K | step |
| | | | | | | | 9-10 | White 5600 K | step |
| | | | | | | | 11-12 | White 6500 K | step |
| | | | | | | | 13 | Blue (Blue=full, Red+Green+White/Amber=0) | step |
| | | | | | | | 14-23 | Red=0, Green->up,Blue =full, White/Amber=0 | proportional |
| | | | | | | | 24 | Cyan (Red=0, Green=full, Blue =full, White/Amber=0) | step |
| | | | | | | | 25-34 | Red=0, Green=full, Blue->down, White/Amber=0 | proportional |
| | | | | | | | 35 | Green (Red=0, Green=full, Blue =0, White/Amber=0) | step |
| | | | | | | | 36-45 | Red->up, Green=full, Blue=0, White/Amber=0 | proportional |
| | | | | | | | 46 | Yellow (Red=full, Green=full, Blue=0, White/Amber=0) | step |
| | | | | | | | 47-56 | Red=full, Green->down, Blue=0, White/Amber=0 | proportional |
| | | | | | | | 57 | Red(Red=full, Green=0, Blue=0, White/Amber=0) | step |
| | | | | | | | 58-67 | Red=full, Green=0, Blue->up, White/Amber=0 | proportional |
| | | | | | | | 68 | Magenta (Red=full, Green=0, Blue=full, White/Amber=0) | step |
| | | | | | | | 69-78 | Red -> down, Green=0, Blue=full, White/Amber=0 | proportional |
| | | | | | | | 79 | Blue (Red=0, Green=0, Blue=full, White/Amber=0) | step |
| | | | | | | | | Transition effects | |
| | | | | | | | 80-87 | Rainbow effect (with fade time) from slow-> fast | proportional |
| | | | | | | | 88-95 | Rainbow effect (without fade time) from slow-> fast | proportional |
| | | | | | | | 96-103 | Full dynamic white (1800K->6500K->1800K) (with fade time) from slow-> fast | proportional |
| | | | | | | | 104-111 | Full dynamic white (1800K->6500K->1800K) (without fade time) from slow-> fast | proportional |
| | | | | | | | 112-119 | Dynamic warm white (1800K-3000K-1800K) (with fade time) from slow-> fast | proportional |
| | | | | | | | 120-127 | Dynamic warm white (1800K-3000K-1800K) (without fade time) from slow-> fast | proportional |
| | | | | | | | 128-135 | Rainbow effect + full dynamic white (with fade time) from slow-> fast | proportional |
| | | | | | | | 136-143 | Rainbow effect + full dynamic white (without fade time) from slow-> fast | proportional |
| | | | | | | | 144-151 | Blue/Green effect (with fade time) from slow-> fast | proportional |
| | | | | | | | 152-159 | Blue/Green effect (without fade time) from slow-> fast | proportional |
| | | | | | | | 160-167 | Red/Blue effect (with fade time) from slow-> fast | proportional |
| | | | | | | | 168-175 | Red/Blue effect (without fade time) from slow-> fast | proportional |
| | | | | | | | 176-183 | Green/Red effect (with fade time) from slow-> fast | proportional |
| | | | | | | | 184-191 | Green/Red effect (without fade time) from slow-> fast | proportional |
| | | | | | | | 192-199 | Blue/4000K effect (with fade time) from slow-> fast | proportional |
| | | | | | | | 200-207 | Blue/4000K effect (without fade time) from slow-> fast | proportional |
| | | | | | | | 208-215 | Green/4000K effect (with fade time) from slow-> fast | proportional |
| | | | | | | | 216-223 | Green/4000K effect (without fade time) from slow-> fast | proportional |
| | | | | | | | 224-231 | Red/4000K effect (with fade time) from slow-> fast | proportional |
| | | | | | | | 232-239 | Red/4000K effect (without fade time) from slow-> fast | proportional |
| | | | | | | 13 | | Shutter/Strobe | |
| | | | | | | | 0-31 | Shutter closed | step |
| | | | | | | | 32-63 | Shutter open | step |
| | | | | | | | 64-95 | Strobe-effect from slow to fast | proportional |

DMX protocol

| Mode/channels | | | | | | | DMX Value | Function | Type of control |
|--|---|----|---|---|---|----|-----------|--|-----------------|
| 1 | 2 | 3 | 4 | 5 | 6 | 7 | | | |
| | | | | | | | 96-127 | Shutter open | step |
| | | | | | | | 128-143 | Opening pulse in sequences from slow to fast | proportional |
| | | | | | | | 144-159 | Closing pulse in sequences from fast to slow | proportional |
| | | | | | | | 160-191 | Shutter open | step |
| | | | | | | | 192-223 | Random strobe-effect from slow to fast | proportional |
| | | | | | | | 224-255 | Shutter open | step |
| - | - | 11 | 3 | 5 | 7 | 14 | | Dimmer | |
| | | | | | | | 0 - 255 | Light intensity coarse (0-100%) | proportional |
| - | - | 12 | - | 6 | 8 | 15 | | Dimmer Fine | |
| | | | | | | | 0 - 255 | Light intensity fine | proportional |
| Copyright © 2022-2024 Robe Lighting s.r.o. - All rights reserved | | | | | | | | | |
| All Specifications subject to change without notice | | | | | | | | | |

| DMX protocol for Calumma - All sizes - MC and SC | | | | | |
|--|-----------|-----------|------------------|--|------------------------|
| Version: 1.3 (16 modes in total) | | | | | |
| Mode/Channels in all | | | | TW Modes: Mode 11- White selection + Dimmer, Mode 12- WW + CW | |
| 11 | 12 | 13 | 14-16 | PW Mode: Mode 13- Dimmer | |
| 3 | 4 | 2 | Reserved | | |
| TW and PW modes | | | | | |
| Mode/channels | | | DMX Value | Function | Type of control |
| 11 | 12 | 13 | | | |
| 1 | - | - | 0 - 255 | White colour selection White from 2700 K - 6500 K | proportional |
| - | 1 | - | 0 - 255 | Warm White Warm White LEDs saturation control (0-100%) | proportional |
| - | 2 | - | 0 - 255 | Cool White Cool White LEDs saturation control (0-100%) | proportional |
| 2 | 3 | 1 | 0 - 255 | Dimmer Light intensity coarse (0 - 100%) | proportional |
| 3 | 4 | 2 | 0 - 255 | Dimmer Fine Light intensity fine | proportional |
| Copyright © 2022-2024 Robe Lighting s.r.o. - All rights reserved | | | | | |
| All Specifications subject to change without notice | | | | | |