

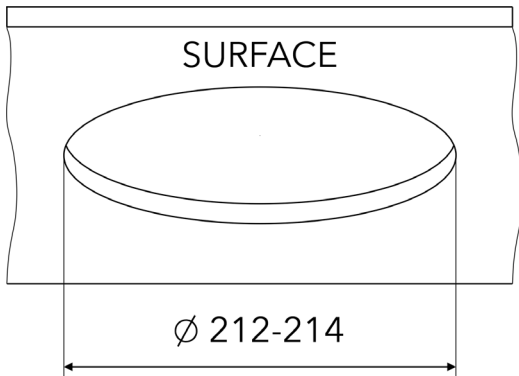
QR code for Installations Instructions



The unit must be installed by a qualified electrician in accordance with all national and local electrical and construction codes and regulations.

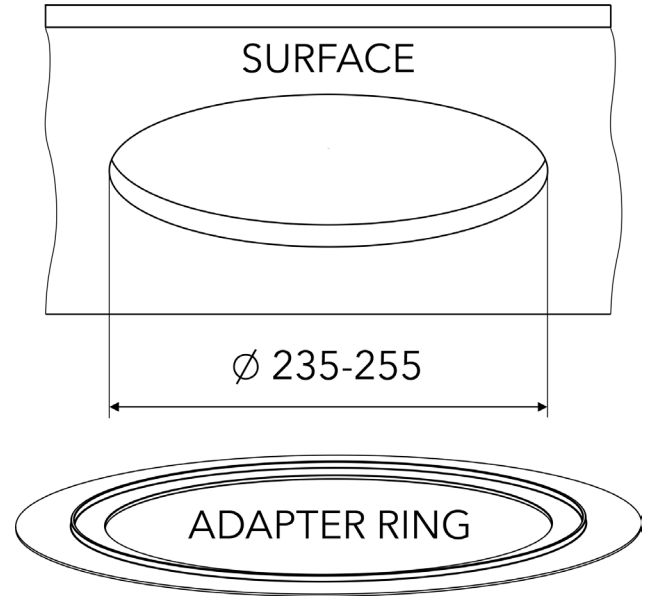


**STEP 1.A
 CEILING OPENING - STANDARD MOUNTING HOLE**



Prepare mounting hole with diameter between 212-214 mm.

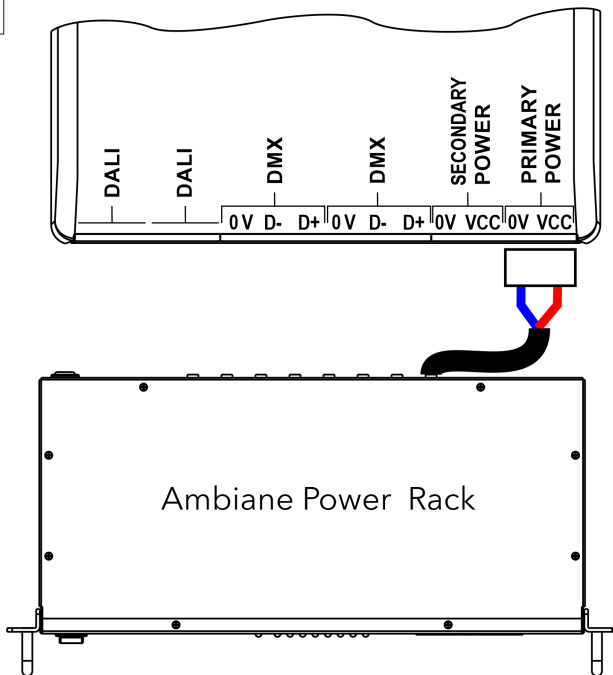
**STEP 1.B
 CEILING OPENING - WITH ADAPTER RING**



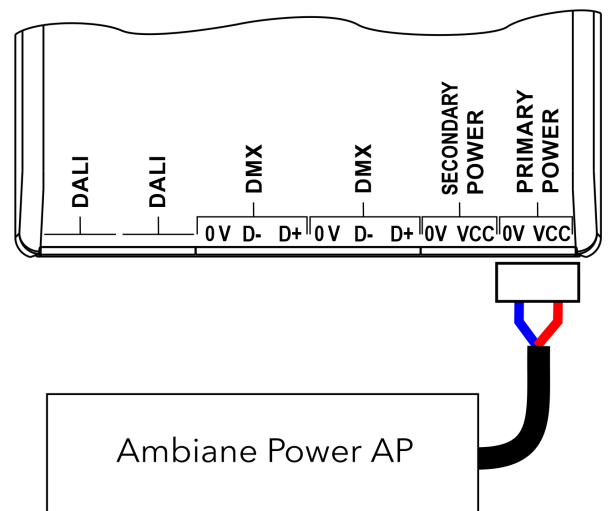
Use of the Adapter ring is recommended in case of a bigger ceiling opening. See step 6.B before connecting power and data cables.

**STEP 2
 PRIMARY POWER CONNECTION**

1A



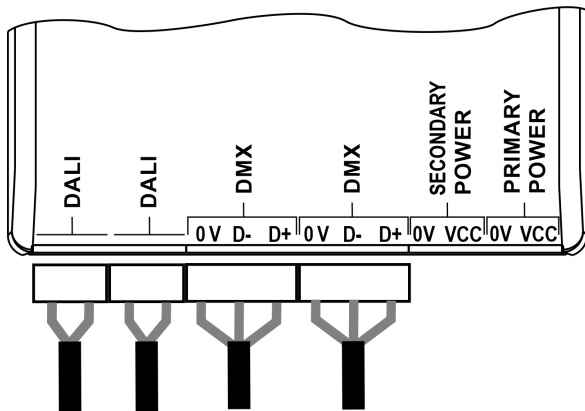
1B



Install terminal block on power cable (from Ambiane Power Rack or Ambiane Power AP) and connect it to the Primary power connection of Ambiane AP's control unit.

**STEP 3
 DATA CONNECTION (DMX OR DALI)**

1

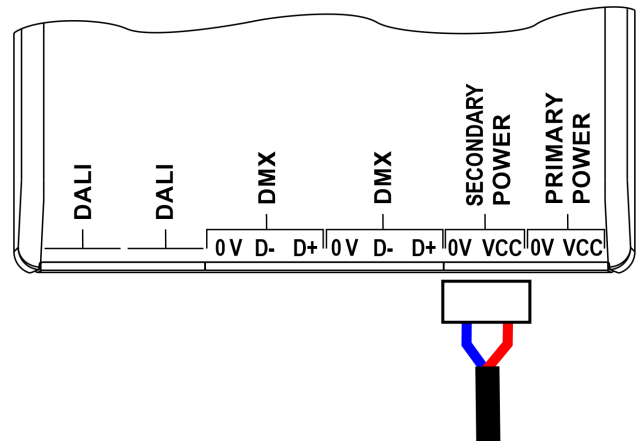


Install terminal blocks on DMX or DALI cables and connect them to the control unit.

DMX CONNECTION

0V	D-	D+
Data Ground	Data -	Data +

**STEP 4
 SECONDARY POWER CONNECTION 48V**

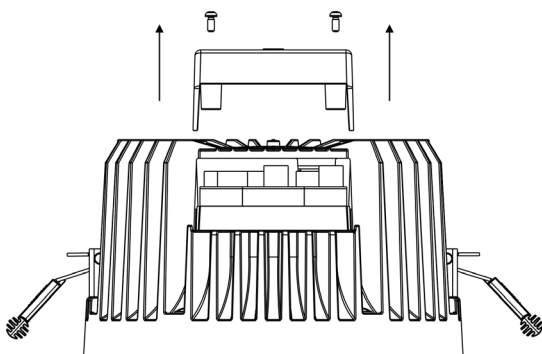


Install terminal block on power cable for secondary power and connect it to the Secondary power connection of Ambiane AP's control unit.

**STEP 5
 DIP SWITCH**

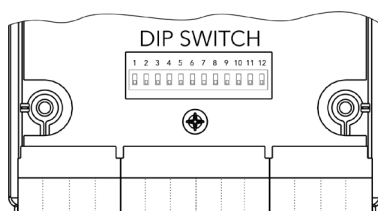
1

2X ⊕ 3,5x8



Unscrew 2 screws on the control unit and remove plastic co-

2

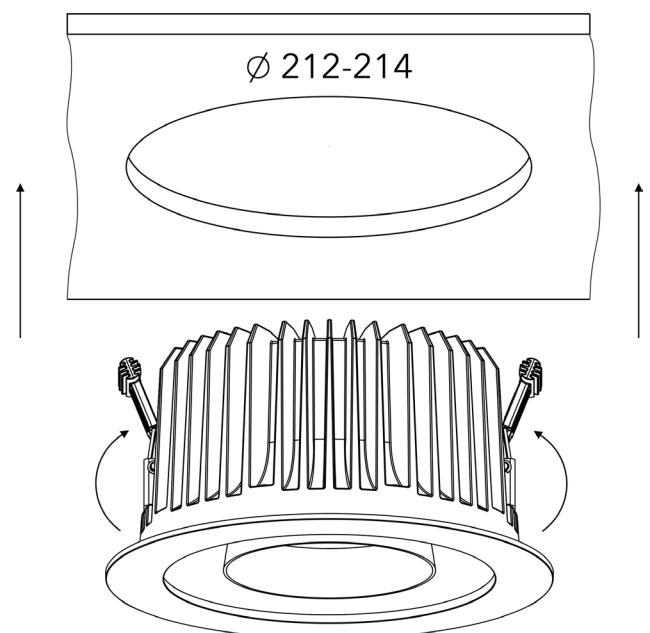


Set the DIP switches to positions according to your operation mode. The fixture can be controlled by DMX or DALI (switch 11 in OFF position).

**STEP 6.A
 LUMINAIRE INSTALLATION**

1

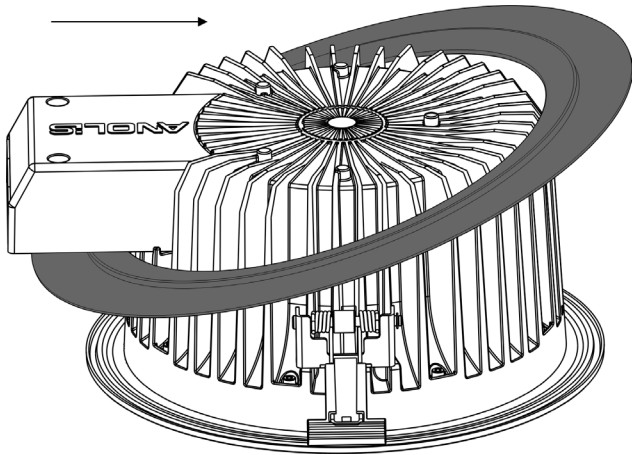
⚠ Make sure power and data cables are connected ⚠



Lift up spring clips on both sides, insert luminaire into ceiling opening and release spring clips to hold luminaire in place.

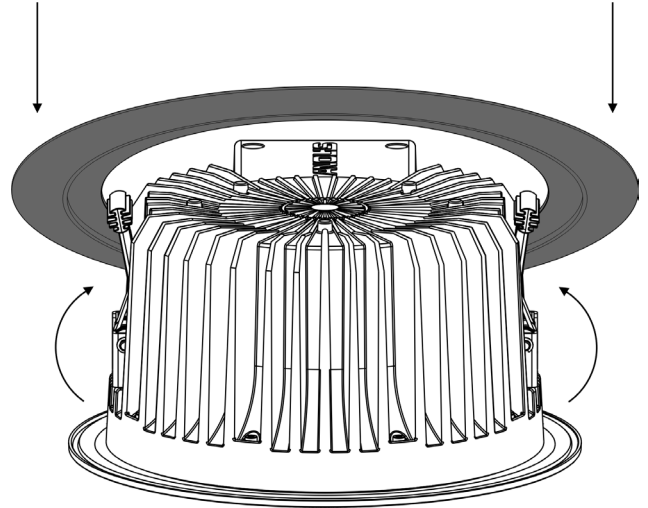
STEP 6.B
LUMINAIRE INSTALLATION WITH ADAPTER RING

1



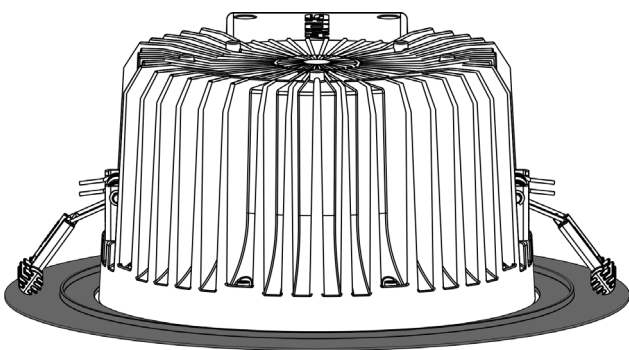
Slide Adapter ring under the control unit and above both spring clips.

2



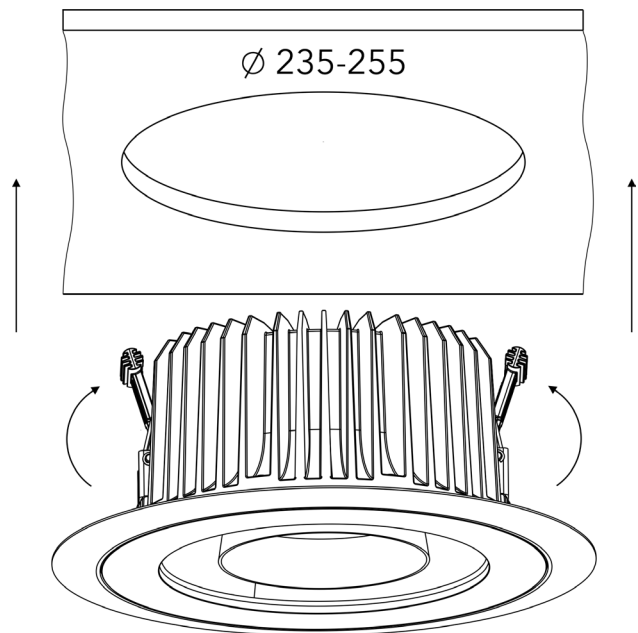
Lift up both springs and slide Adapter ring under them.

3



Adapter ring installed on the luminaire.

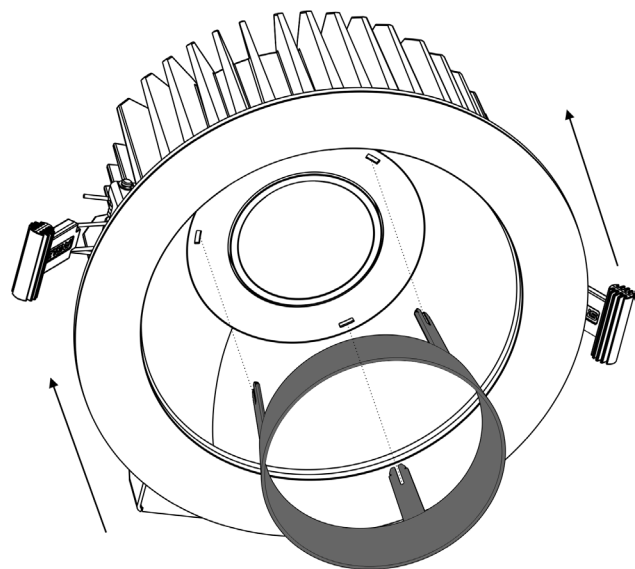
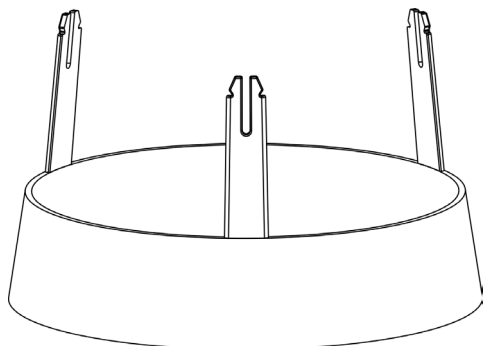
4



Lift up springs on both sides, insert luminaire into ceiling opening and release springs to hold luminaire in place.

STEP 7
INSTALLTION OF ACCESSORIES - ANTI-GLAR

1



Insert the Anti-Glare ring into the Ambiane AP's reflector until three locks snap into slots.

Click on Anti-Glare ring.