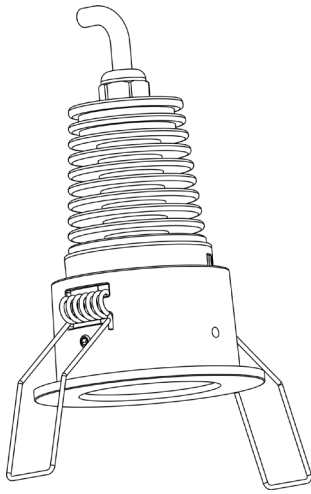


QR code for Installations Instructions

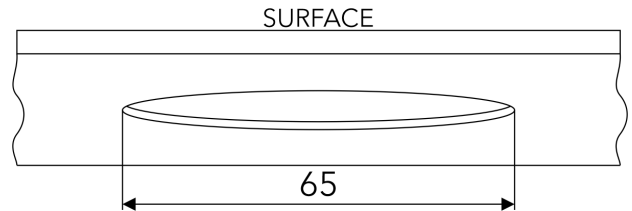


Fixture must be installed by a qualified electrician in accordance with all national and local electrical and construction codes and regulations.



**STEP 1  
CEILING OPENING**

1

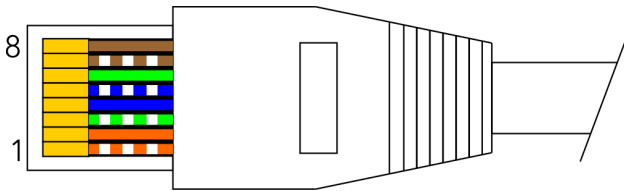


Prepare mounting hole with diameter of 65 mm.

**STEP 2  
CONNECTION**

1 **Connection – colour coding**

RJ 45 connector



Color coding T568B

Pin	Function	Wire
1	Red +	Orange/White
2	Green +	Orange
3	Blue +	Green/White
4	White -	Blue
5	Red -	Blue/White
6	Green -	Green
7	Blue -	Brown/White
8	White -	Brown

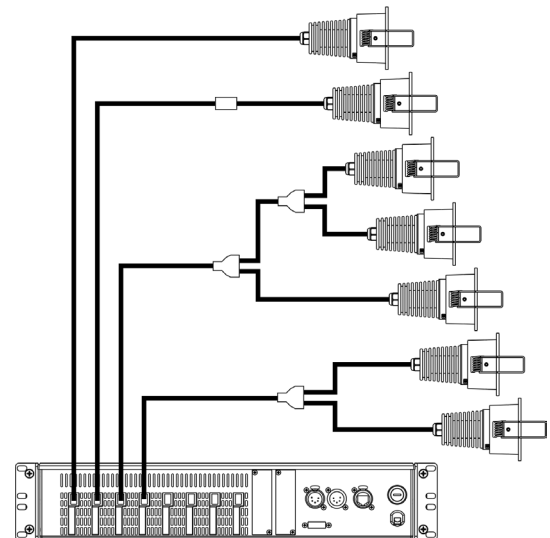
2

Power Supply Units suitable for ArcSource MC II:

ArcPower Rack Unit

ArcPower 36/72/144/360

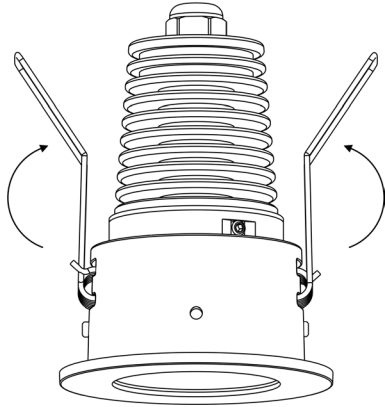
ArcSource 4MC II can be connected directly to power supply unit.  
Splitters can be used for connection of multiple fixtures at one output line.  
Cable connectors can be used, when extension of output line is required.



ArcSource 4MC II fixtures connected to ArcPower Rack Unit with use of splitters and cables connector.

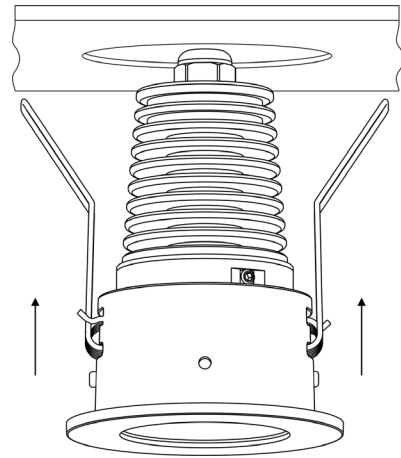
**STEP 3**  
**LUMINAIRE INSTALLATION**

1



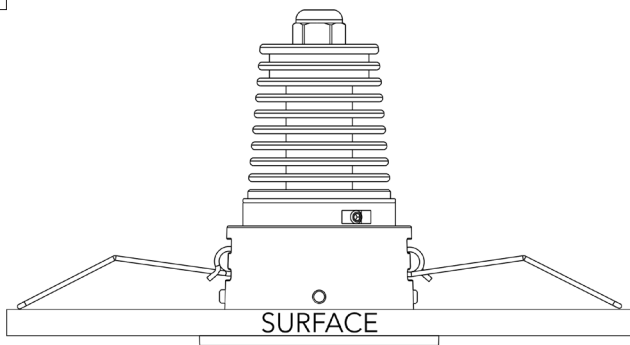
Lift up spring clips on both sides of the fixture.

2



Insert the luminaire into the ceiling opening.

3



Secure the luminaire inside the ceiling by releasing spring clips.