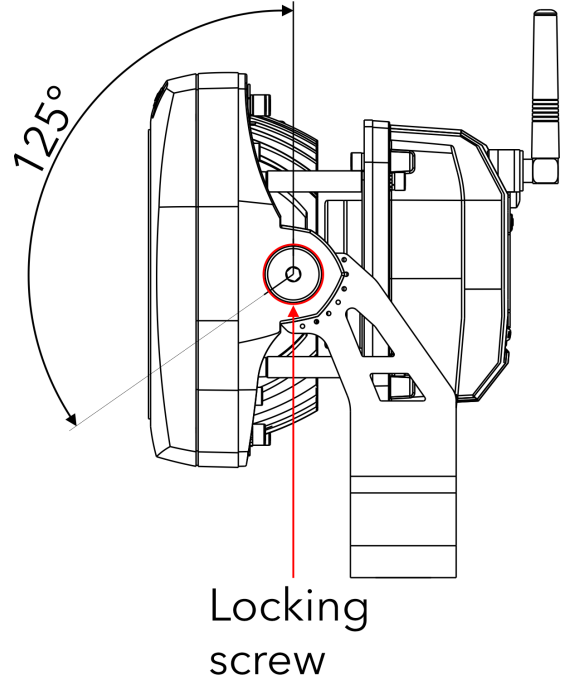
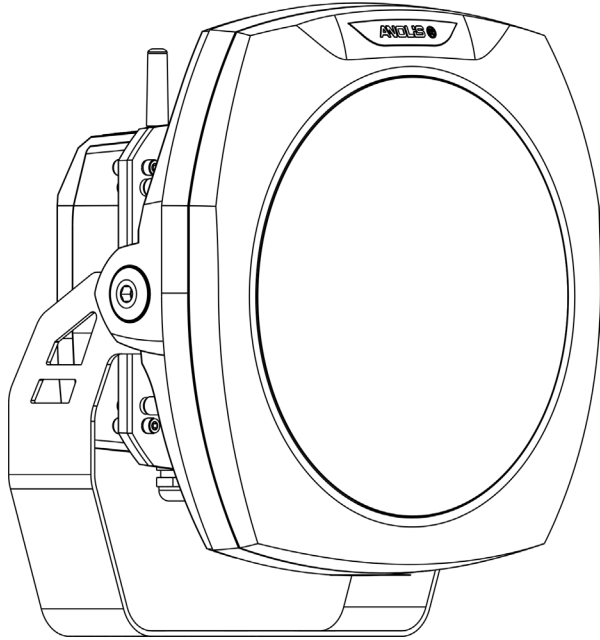


QR code for Installations Instructions



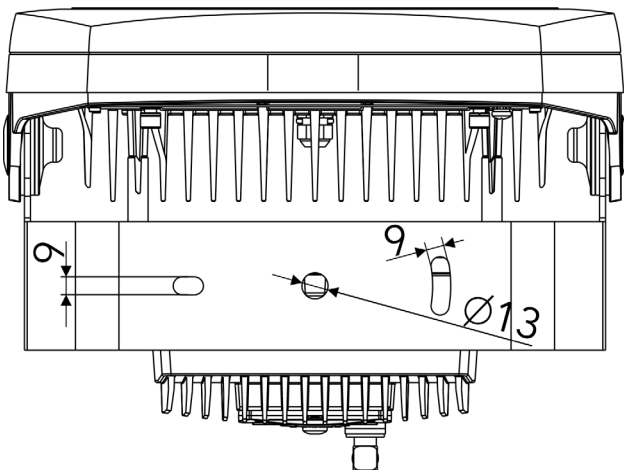
Fixture must be installed by a qualified electrician in accordance with all national and local electrical and construction codes and regulations. This device falls under class one and must be grounded!



Use an Allen key 8 to release M10 tilting lock on each side of luminaire and adjust tilt of LED module in range of +35°/-90°.

STEP 1A
MOUNTING - USING YOKE

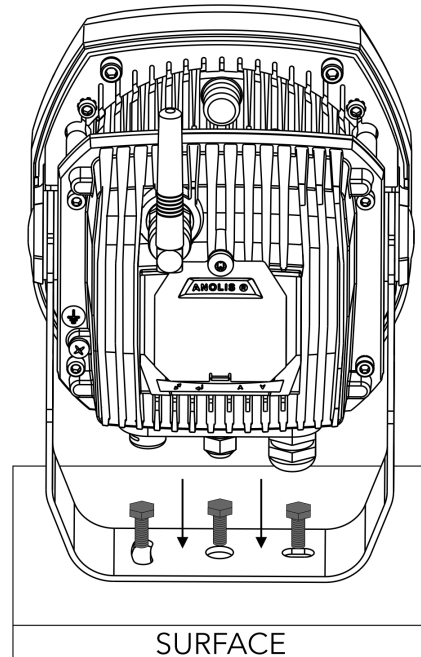
1



Mount the fixture via suitable mounting holes. Ensure that you are mounting the fixture to a secure and non-flammable surface.

2

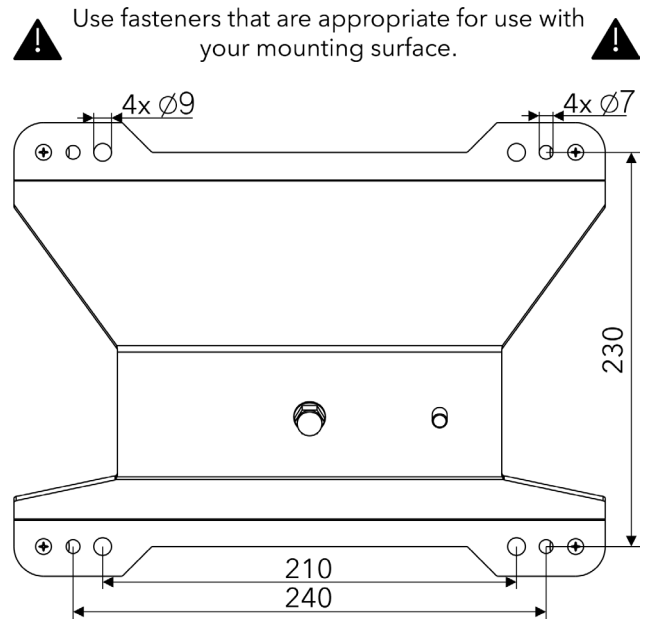
Use fasteners that are appropriate for use with your mounting surface.



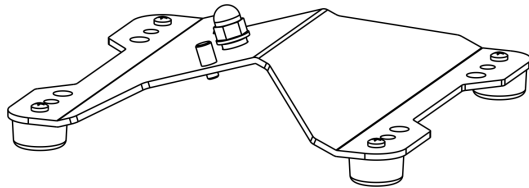
Fasten the Yoke of the fixture to the surface by three screws.

STEP 1B
MOUNTING - USING FLOOR STAND

1

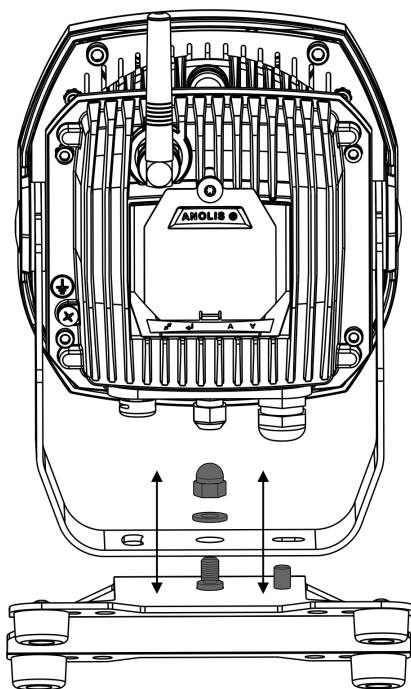


Mount the floor stand to the surface via 4 mounting holes of 9mm or 7mm in diameter.

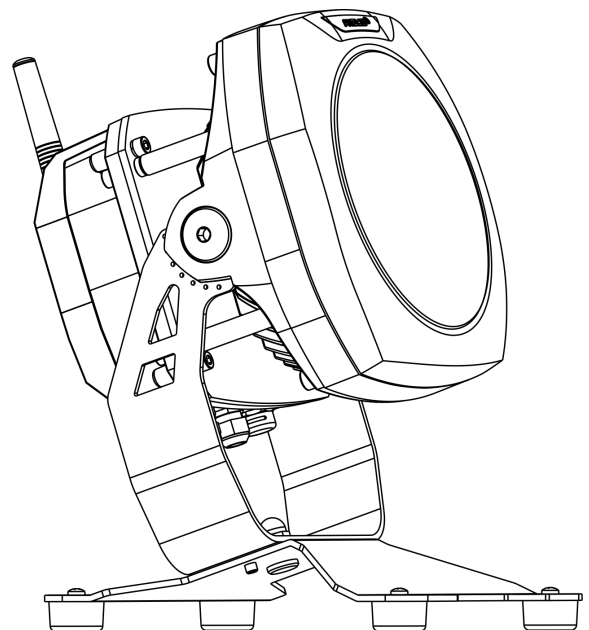


Floor stand.

2

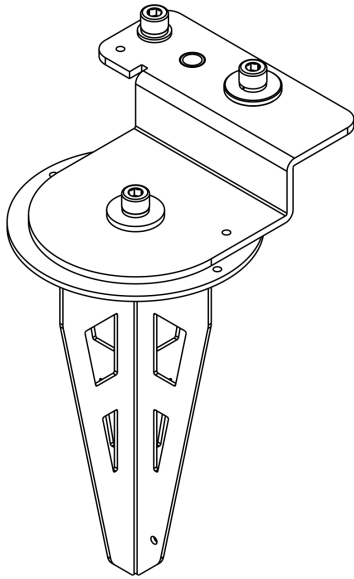


Mount the luminaire to the Floor stand as illustrated on picture above and fasten it by nut with washer to bolt on floor stand.

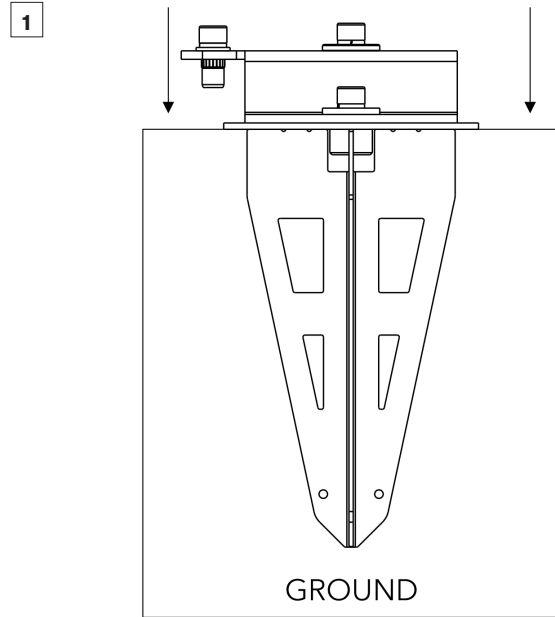


ArcSource Outdoor 48MC Integral mounted on the Floor Stand.

STEP 1C
MOUNTING - USING LAND SPIKE
100 MM / 130 MM



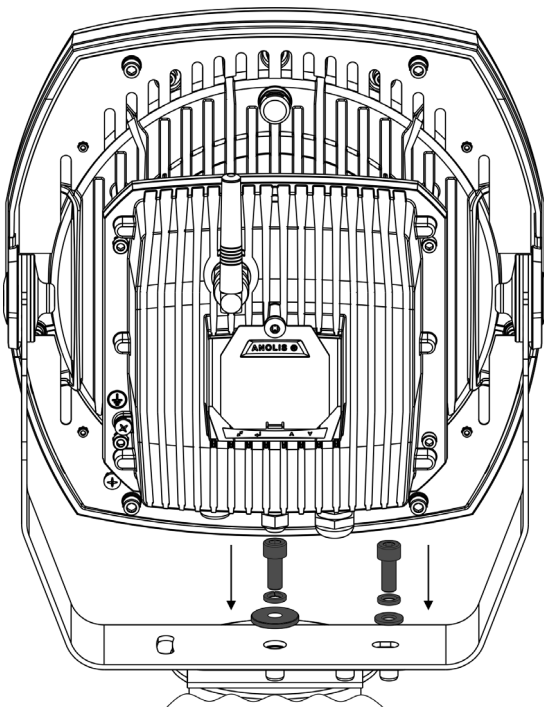
Land Spike 100 mm / 130 mm.



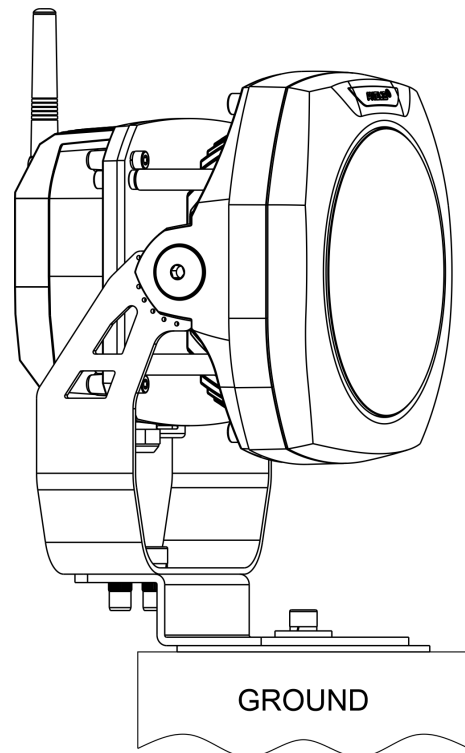
Insert the Land Spike into ground. Underground part of Land Spike should be placed perpendicularly into the ground. (if you need to use tools to insert spike in the ground, use of some protective layer, and applying pressure in the middle is recommended to prevent damaging of land spike)

2

2X  M8x20

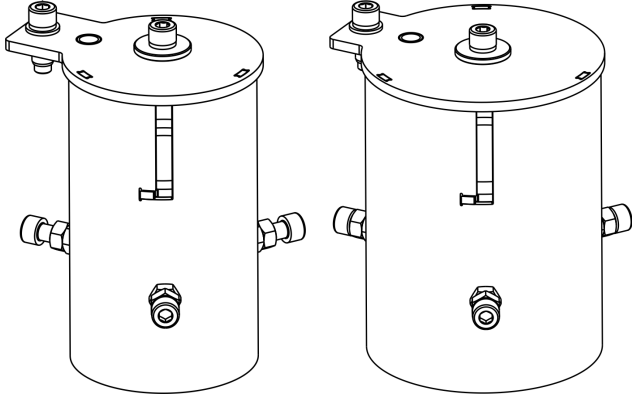


Mount the luminaire to the Land Spike as illustrated on picture above and fasten it by two screws M8x20 with washers and spring washers.



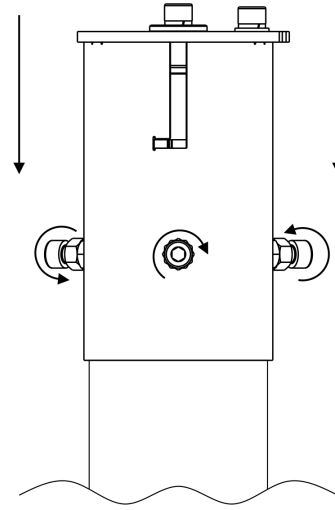
ArcSource Outdoor 48MC Integral mounted on the Land Spike.

STEP 1D
MOUNTING - USING TENON ADAPTOR
DIAMETER 63 - 80 MM / 80 - 106 MM



Tenon Adaptor 63-80mm and Tenon adaptor 80-106mm

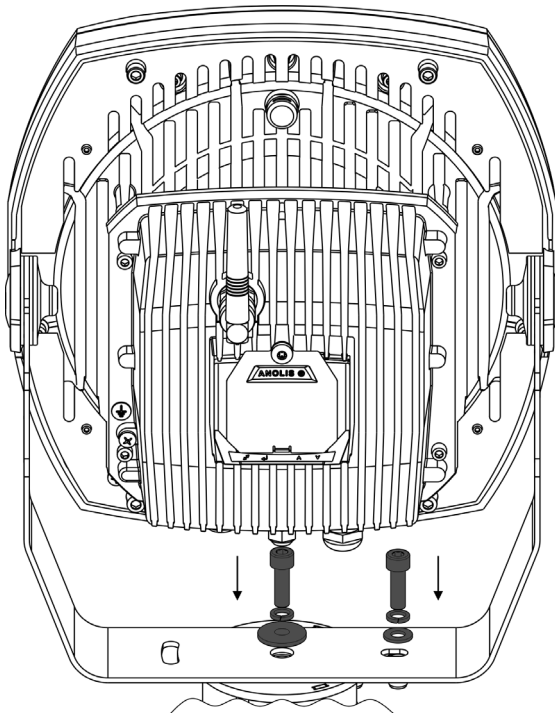
1



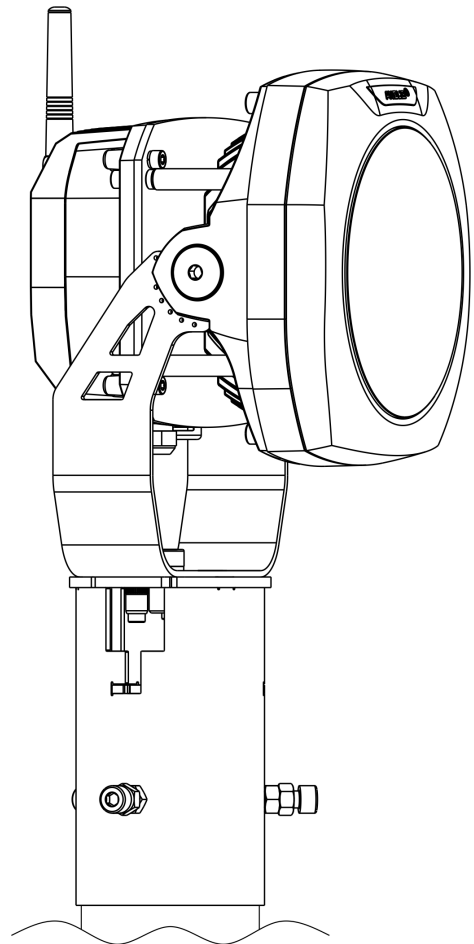
Slide the Tenon Adaptor (mortise) of suitable size on a tenon (e.g. top of a metal post) and fasten it with three screws included in the adaptor.

2

2X  M8x25

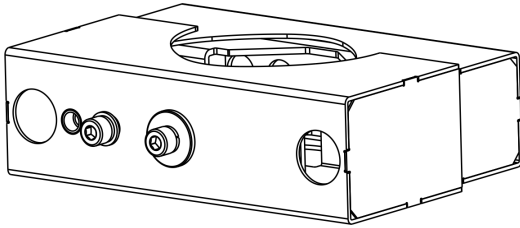


Mount the luminaire to the Tenon Adaptor as illustrated on picture above and fasten it by two screws M8x25 with washers and spring washers.

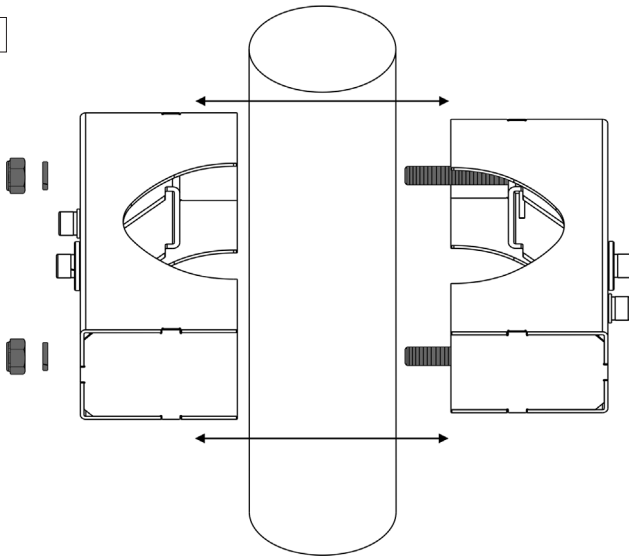


ArcSource Outdoor 48MC Integral mounted on the Tenon Adaptor.

STEP 1E
MOUNTING - USING POLE CLAMP
DIAMETER 63 - 80 MM / 80 - 105 MM



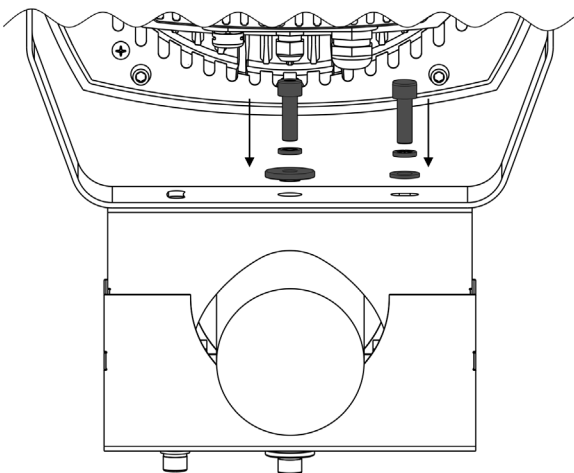
2



Mount the Pole Clamp to a pole and fasten it by screwing both nuts with washers back to their bolts. Adjust the Pole clamp to ensure its correct position before tightening it completely.

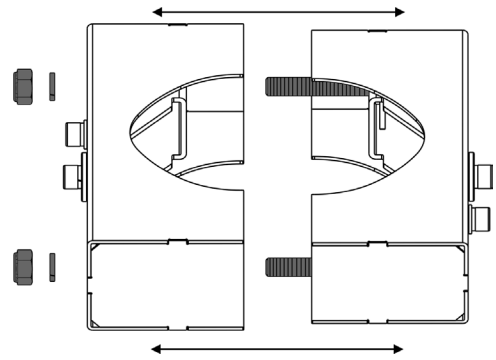
4

2X  M8x25



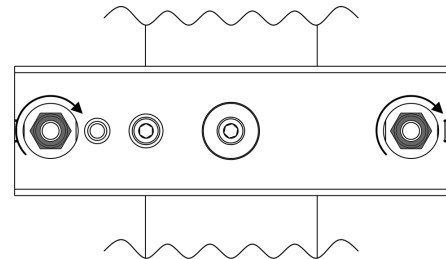
Place the yoke of the luminaire to the Pole Clamp as illustrated on picture above and fasten it by two screws M8x25 with washers and spring washers.

1

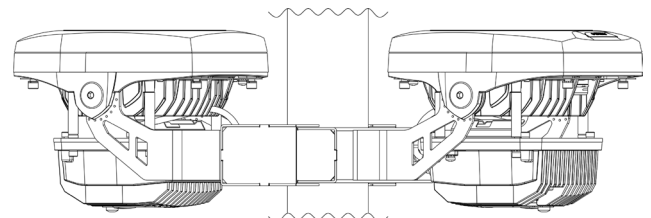


Disassemble the Pole Clamp by unscrewing both nuts from bolts.

3

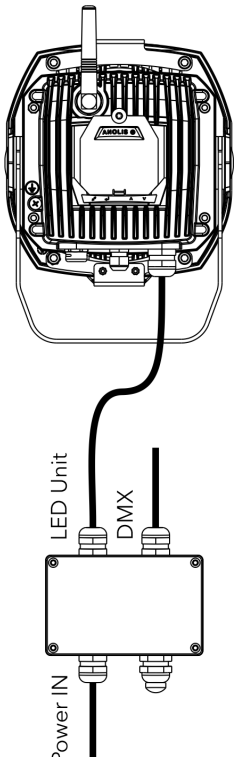


When in correct position, tighten both nuts completely.

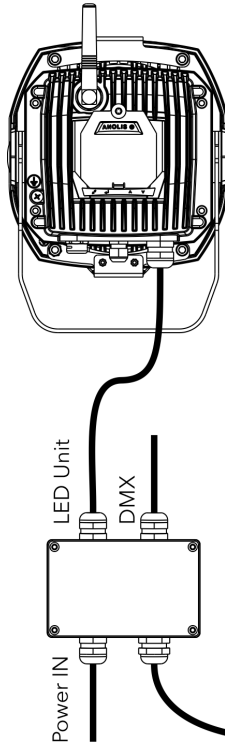


ArcSource Outdoor 48MC Integral mounted on each side of Pole Clamp.

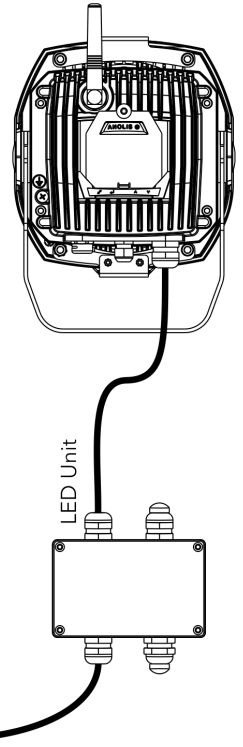
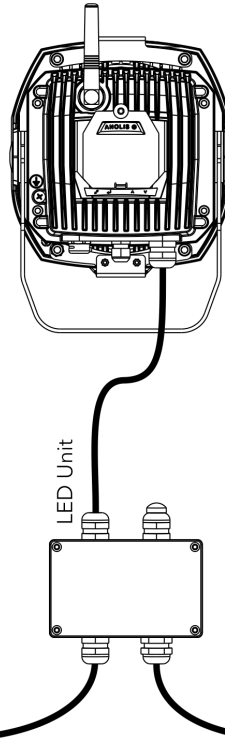
**STEP 2
CONNECTION**



Single luminaire connection.
Connect DMX IN and Power cable to a Junction box and Power/data cable from the Junction box to the luminaire.

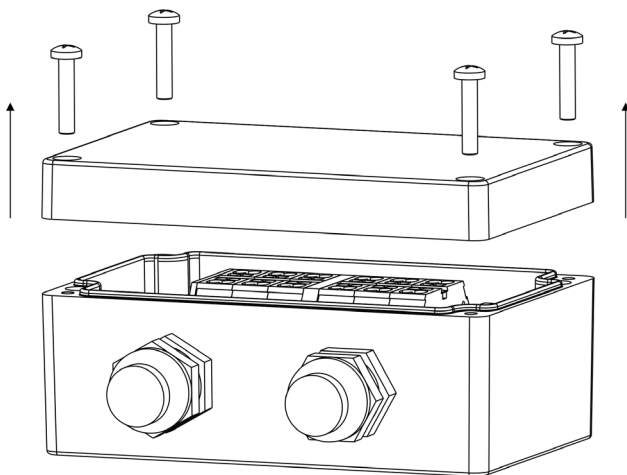


Multiple luminaire connection.
Use power/data cable for connection between Junction boxes as illustrated on picture below. Notice the change of connection between first two and all following junction boxes of the daisy chain line.



1 Removing the Cover of Junction Box

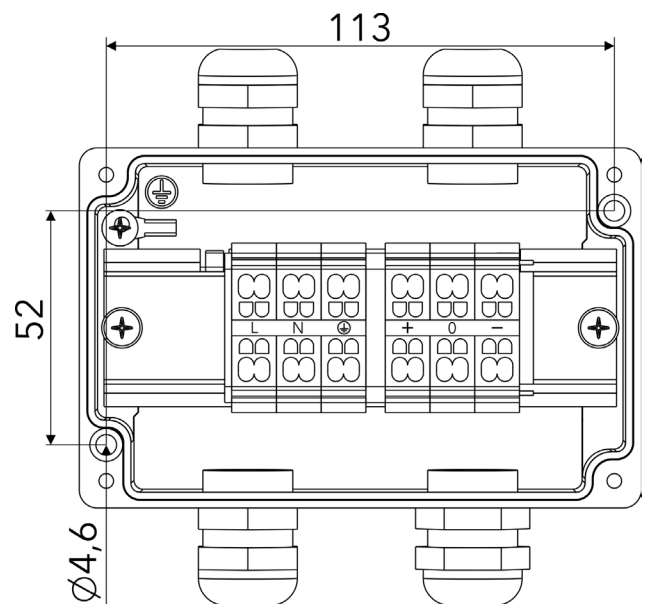
4X ⊕ M4x20



Open the Junction Box by unscrewing 4 M4x20 screws and lifting up the cover.

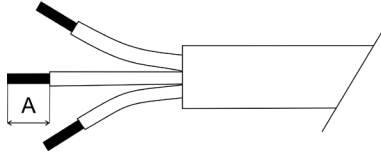
2 Install Housing

⚠ Use fasteners that are appropriate for use with your mounting surface. ⚠



Mount the Junction Box to a surface via two mounting holes and suitable fasteners.

3 Strip these lengths for wire connections



A	
Power Connection	9 mm
Data Connection	7 mm

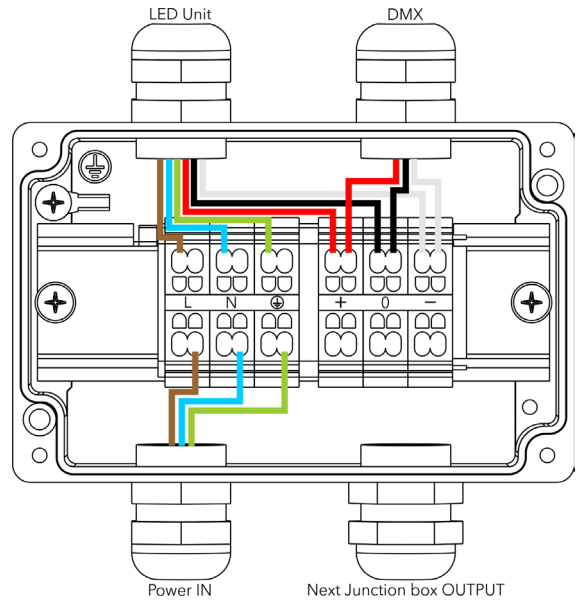
4 Connection – colour coding

Power Connection - Power IN			
	L	N	GROUND
Core (EU)	Brown	Blue	Green/Yellow
Core (US)	Black	White	Green

DMX CONNECTION		
0 V	D-	D+
Data Ground	Data -	Data +

Cable CE/US Leader - LED Output	
WIRE	DATA AND POWER CONNECTION
Brown	Live
Blue	Neutral
Yellow/Green	Ground
Red	+
White	-
Shielding	0

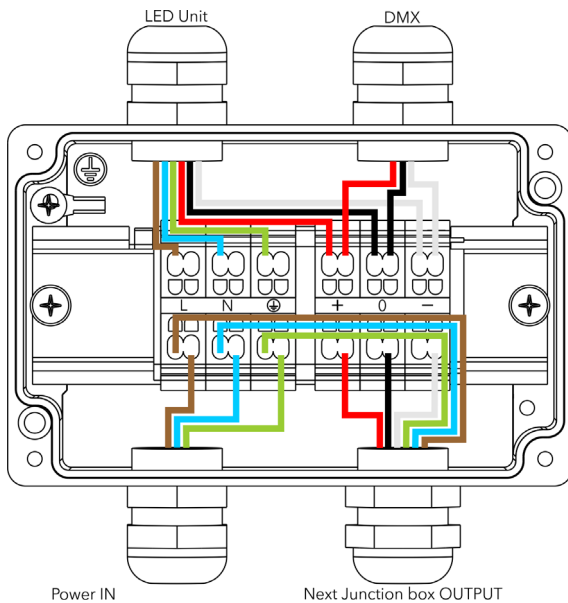
5A Wiring connection - single LED unit



EU color code shown

Recommended junction box connection, when only one luminaire is connected.

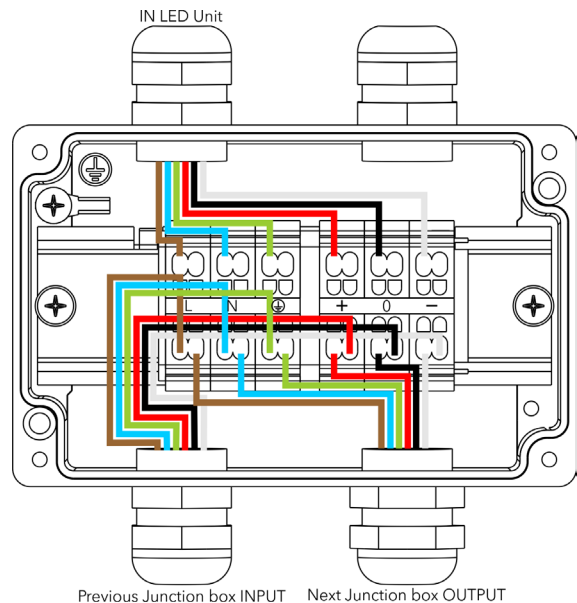
5B Wiring connection - Daisy chain - First Junction Box



EU color code shown

Connection scheme for the first Junction Box in daisy chain line.

5C Wiring connection - Daisy chain - Following Junction Boxes



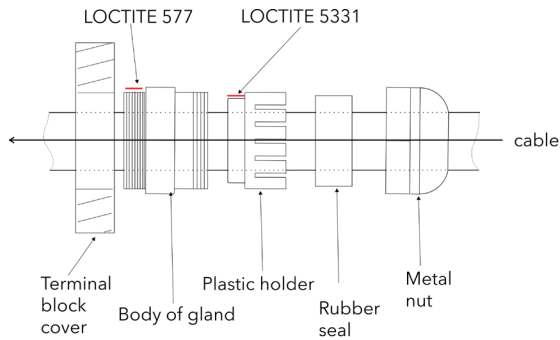
EU color code shown

Connection scheme for each following Junction Box in daisy chain line. Only power/data cables are used.

6 Cable gland installation

Use wrench size 24 for cable gland M20x1.5

Install Cable glands individually!

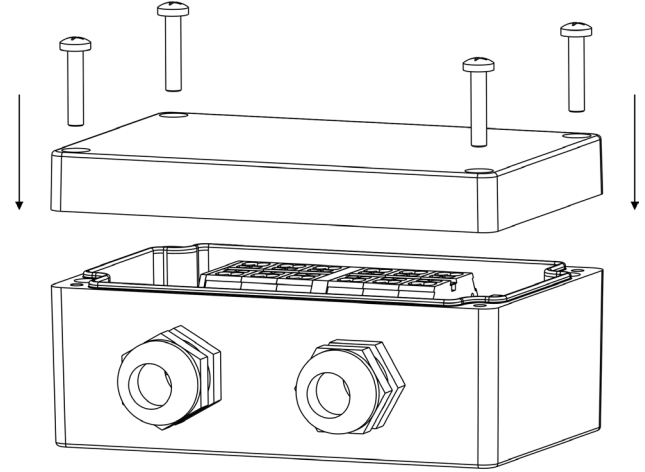


Apply Loctite 5331 thread sealant on the plastic holder and Loctite 577 thread locking compound on the gland body in the indicated locations prior to assembly.

Failure to properly install cable glands will result in failure of the water tight seal!

7 Close junction box

4X  2 Nm

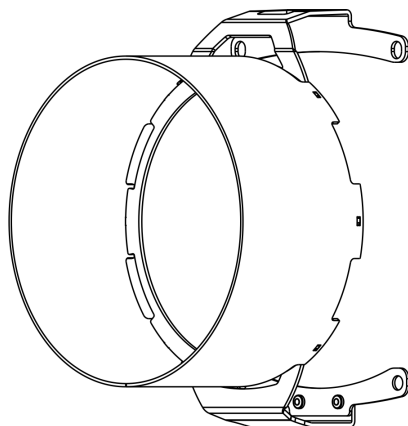


Install safety cover and top cover back.

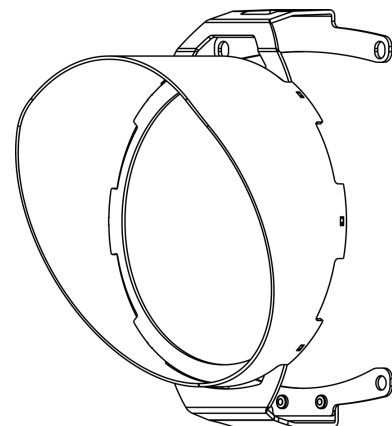
Before applying the torque, make sure the thread is clean and

**STEP 3
INSTALLATION ACCESSORIES**

Top Hat

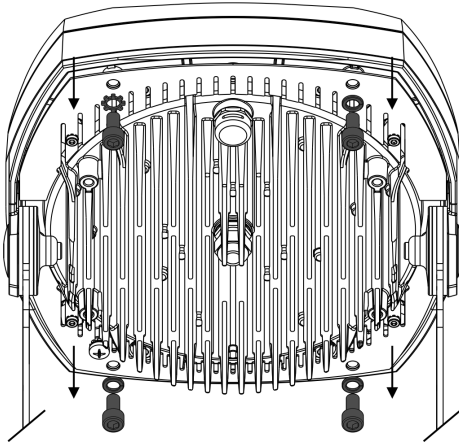


Half Top Hat



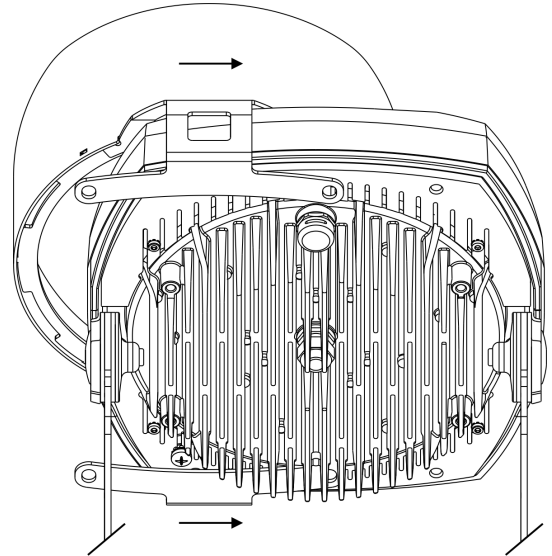
Top Hat and Half Top Hat.
(Identical installation instructions)

1 4X  M6x12



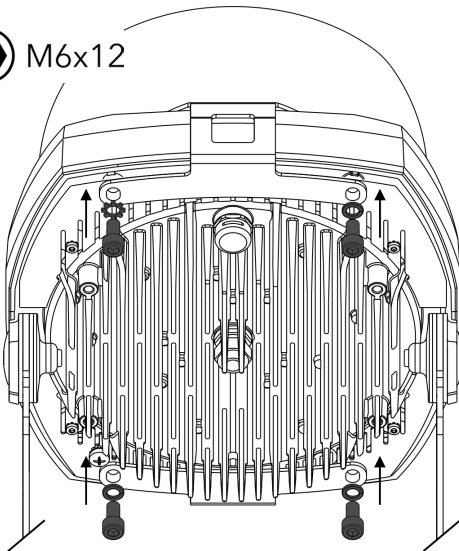
Unscrew four M6x12 screws from rear side of the luminaire as highlighted on picture above.

2



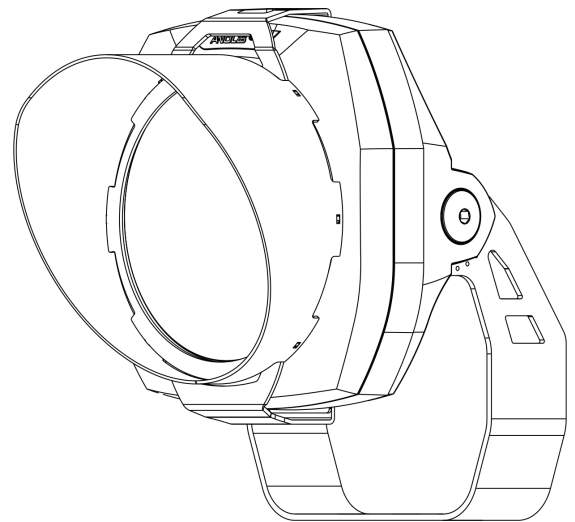
Unscrew four M6x12 screws from rear side of the luminaire as highlighted on picture above.

3 4X  M6x12



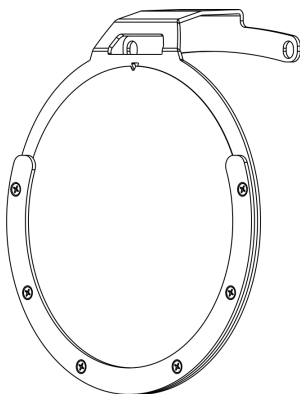
Fasten the accessory to the rear side of luminaire with four M6x12 screws and spring washers.

4

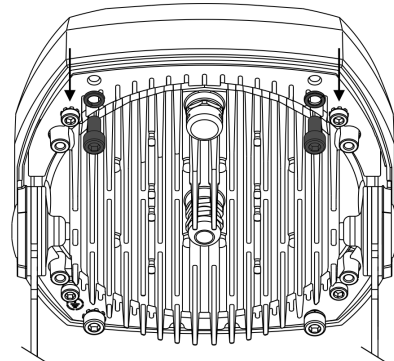


ArcSource Outdoor 48MC Integral with Half Top Hat.

Optical demo set

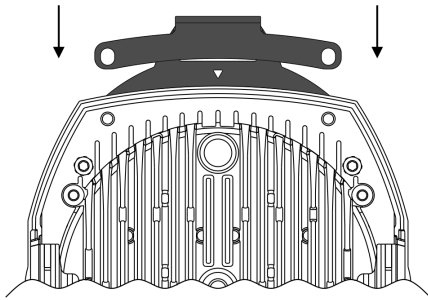


1 2X  M6x12



Unscrew two M6x12 screws from the rear side of luminaire as highlighted on a picture above.

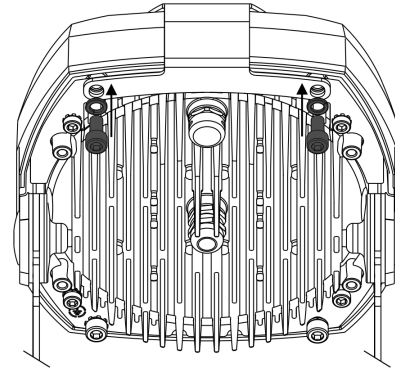
2



Unscrew two M6x12 screws from the rear side of luminaire as highlighted on a picture above.

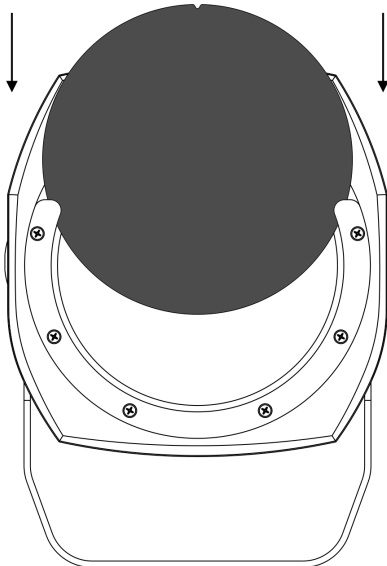
3

2X  M6x12

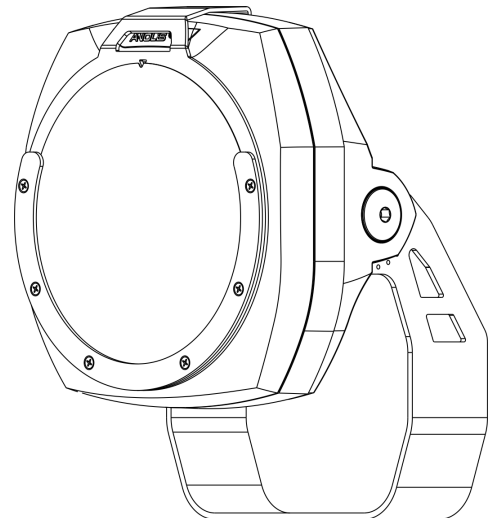


Fasten the accessory to the rear side of luminaire with two original screws and washers.

4



Slide an optical foil into Optical demo set.



ArcSource Outdoor 48MC Integral with Optical demo set.