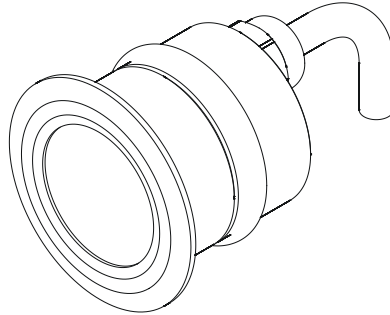


User instructions

ArcSource 1 MC Short

The module generate colored light by means of RGBW LED multichip. The product was designed for exterior use and it is ideal for locations where signaling, directional or effect lighting is required.



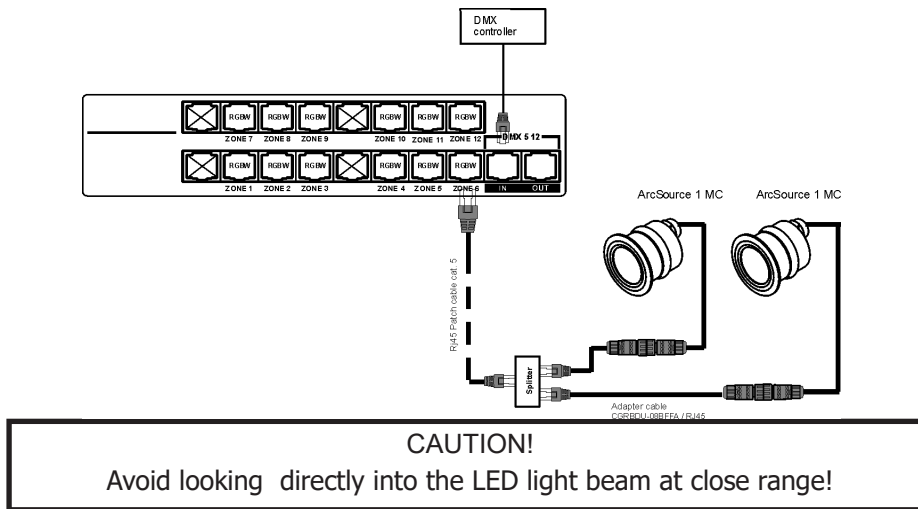
1. Attention

Consider the respective national norms during the installation!

- Do not install the unit near naked flames
- Avoid using the unit in locations subject to possible impacts
- Do not attempt to dismantle or modify the unit

2. Installation

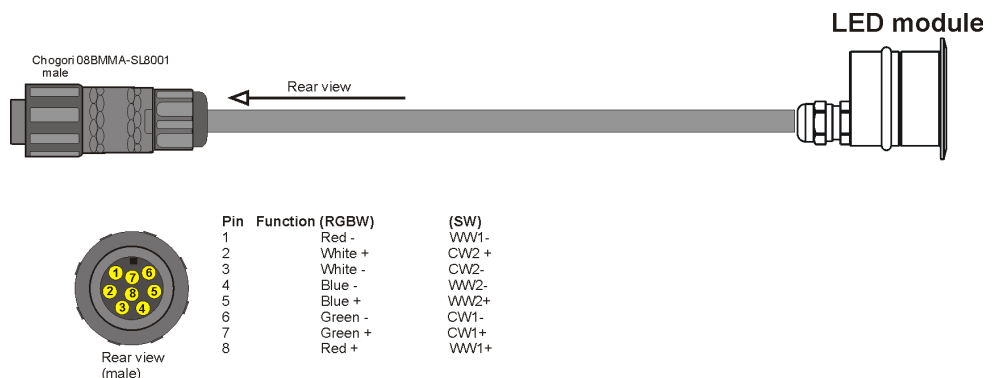
The ArcSource unit should be connected to the ArcPower drivers. See the ArcPower 36/ 72/144/360/16x6 and ArcPower 384 Rack Mount user manuals for full details of mains power requirements and DMX operation. The SW version of the ArcSource unit should be connected to the ArcPower 36 SW (or 72 SW or 144SW)



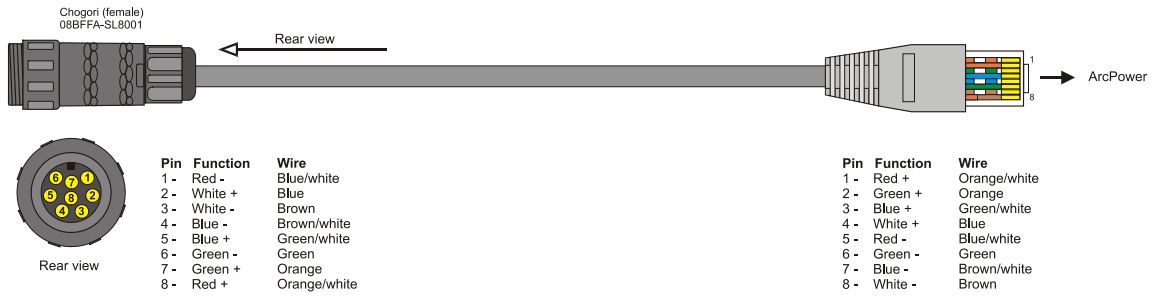
Connect the ArcSource 1 MC to the driver via the adapter cable Chogori/RJ45 and use suitable cable joint box (weather-tight for outdoor installation) if the cable has to be extended. Use a cable splitter if more than one LED module has to be connected to the one LED output of the driver, the connection between the ArcPower and the splitter is a standard RJ45 patch cable category 5 wired 1:1.

3. Connection

ArcSource 1 MC Short



Adapter cable Chogori/ RJ45 (for idoor use only) between fixture and ArcPower



Maximum possible number of LED modules connected to the one LED output of the ArcPower driver is mentioned in the table:

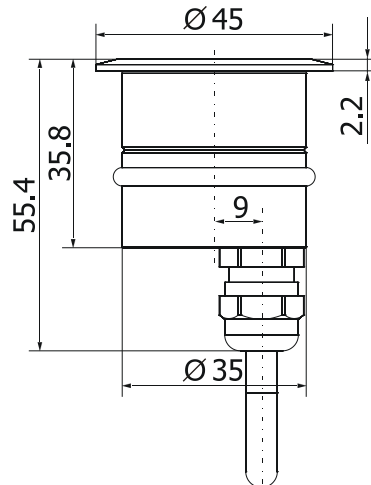
LED module	LED multichips	Max.number of connected modules	Compatible LED drivers
ArcSource 1 MC Short RGBW	1	10	ArcPower 36/72/144/360
ArcSource 1 MC Short RGBW	1	2	ArcPower 16x6
ArcSource 1 MC Short RGBW	1	12	ArcPower 384 Rack Mount
ArcSource 1 MC Short SW	1	10	ArcPower 36 SW/72SW/144SW

4. Technical specifications

- Max. power consumption: 4.4W
- Max input current per colour: 350 mA
- Recommended power supplies for RGBW vers. ArcPower 36/ 72/ 144/ 360/16x6/ 384 Rack Mount,
- Recommended power supplies for SW version ArcPower 36SW/ 72SW/ 144SW
- Operating ambient temp.range: -20°C/+40°C
- Cooling : convection
- LED device: Cree MC-E RGBW multichip
- Typical Lumen maintenance: 70%@ 60,000 hours
- Led life expectancy: minimum 60,000 hours
- Available beam angles: 27°, 35°
- Transparent cover: 6 mm clear flat tempered glass
- Construction: stainless steel top flange
brass housing
- Weight: 0.2 kg
- Power /data plug: Chogori 08BMMA-SL8001
- Power /data cable: Flamar LiYY 8xAWG22 UL Style 2517/CSA O.D. 6,70mm (0.5 m length)
- Protection factor: IP 68
- IK rating: IK 07

5. Dimensions

(All dimensions are in mm)



5. Accessories

- 1 x Splitter (P/N 13050690)
- 1 x Connector Chogori CGRBDU-08BFFA (female), IP67

6. Optional Accessories

- Adapter cable CGRBDU-08BFFA/RJ4 RJ45, L=3m (P/N 13051630), for idoor use only
- Adapter cable CGRBDU-08BFFA/RJ4 RJ45, L=7m (P/N 13051631), for idoor use only
- Adapter cable CGRBDU-08BFFA/RJ4 RJ45, L=15m (P/N 13051682), for indoor use only
- T-connector Chogori 8-pin (P/N 13051938), IP67

8. ArcSource 1 MC Short with spring clips

This version of the ArcSource 1 MC Short allows to place the ArcSource 1 MC Short into a hole in a flat surface (e.g. lower ceiling). The ArcSource unit is fixed in the right position by means of the two springs. Prepare the hole (37-40mm) in a lower ceiling, bend up both clips and pull the ArcSource unit through the hole.

